



Item #300928897

#300928916

#300928928

#300928923

Model #TSPR0514-WH

#TSPR0514-BI

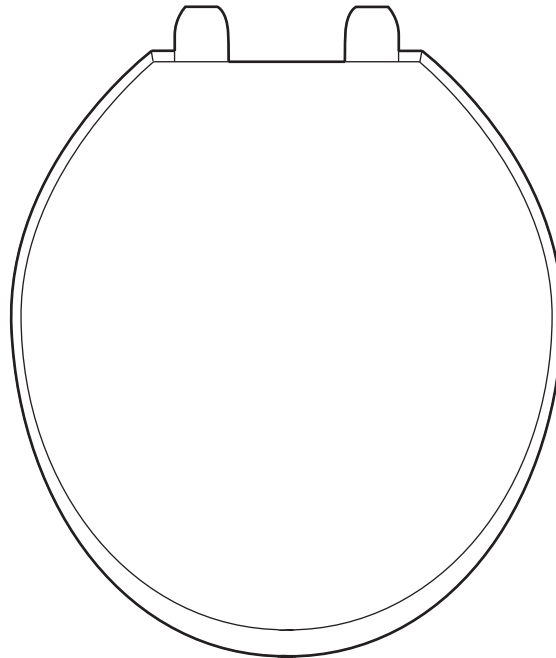
#TSPR0514-BO

#TSPR0514-BK

## USE AND CARE GUIDE

---

### PLASTIC TOILET SEAT (ROUND)



Questions, problems, missing parts? Before returning to the store,  
call Home Decorators Collection Customer Service  
8 a.m. - 7 p.m., EST, Monday-Friday, 9 a.m. - 6 p.m., EST, Saturday

**1-855-HD-GLACIER**

**[HOMEDEPOT.COM/GLACIERBAY](http://HOMEDEPOT.COM/GLACIERBAY)**

---

#### **THANK YOU**

*We appreciate the trust and confidence you have placed in Glacier Bay through the purchase of this toilet seat. We strive to continually create quality products designed to enhance your home. Visit us online to see our full line of products available for your home improvement needs. Thank you for choosing Glacier Bay!*

# Table of Contents

Table of Contents.....	2	Installation.....	4
Warranty.....	2	Care and Cleaning.....	4
Pre-Installation.....	3		
Hardware Included.....	3		
Package Contents.....	3		

# Safety Information

 **WARNING:** Do not stand on the toilet seat.

# Warranty

This product comes with a one (1) year warranty. For more information, please contact the Customer Service Team at 1-855-HD-GLACIER or visit [www.HomeDepot.com/GlacierBay](http://www.HomeDepot.com/GlacierBay).

# Pre-Installation

## TOOLS REQUIRED

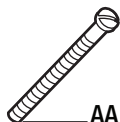


Flathead  
screwdriver

## HARDWARE INCLUDED



NOTE: Hardware not shown to actual size.



AA



BB



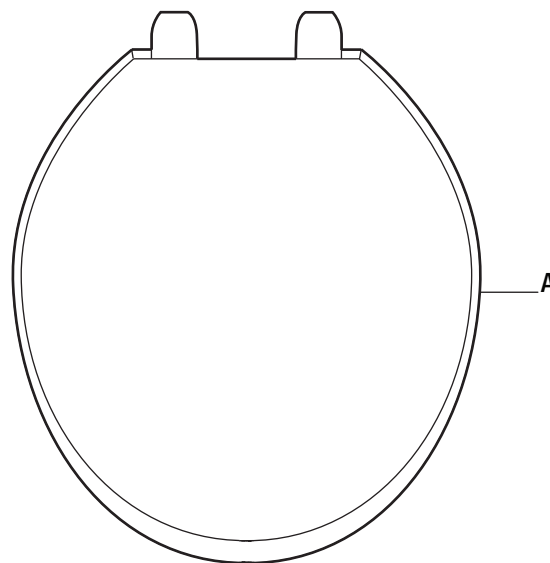
CC



DD

Part	Description	Quantity
AA	Bolt	2
BB	Snap lock	2
CC	Washer	2
DD	Lock nut	2

## PACKAGE CONTENTS



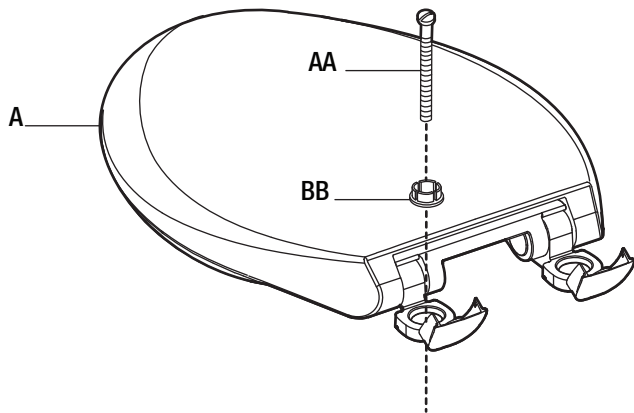
A

Part	Description	Quantity
A	Toilet seat	1

# Installation

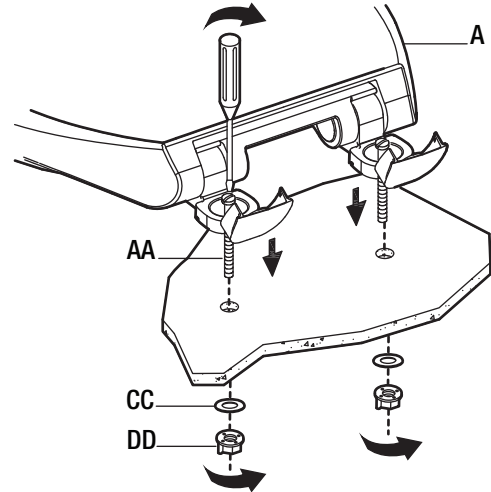
## 1 Preparing for Installation

- Remove the old toilet seat from the toilet, if necessary. Lift up on the toilet seat (A) hinge covers to expose the holes.
- Thread the screw (AA) through the snap lock (BB), then through the hole in the hinge.
- Repeat with other screw (AA), snap lock (BB) and hole.



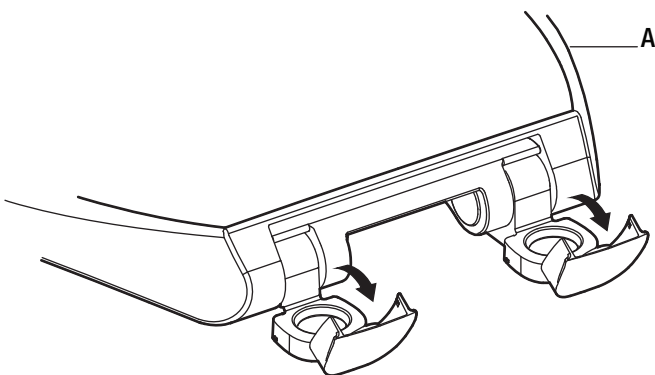
## 2 Installing the toilet seat

- Align the screws (AA) in the toilet seat (A) hinges with the holes in the toilet bowl, and thread through.
- On the underside of the toilet bowl, thread a washer (CC) onto the screw (AA), then a lock nut (DD). Turn the lock nut (DD) clockwise to tighten. Repeat on the other side.
- Tighten the screws (AA) with the flathead screwdriver.



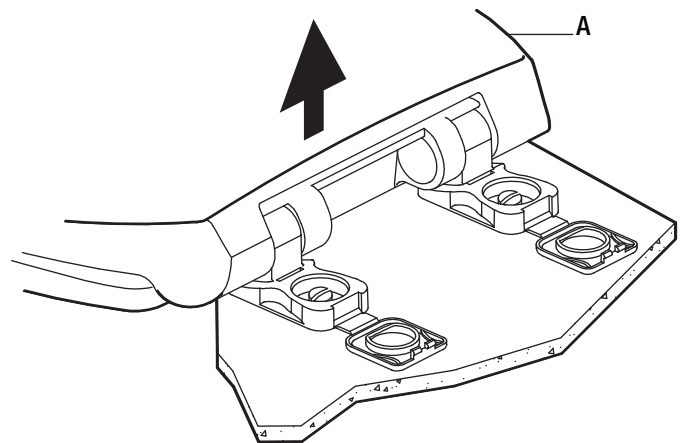
## 3 Unlocking the seat (optional)

- Lift up on the toilet seat (A) hinge covers to release the snap locks (BB).



## 4 Removing the seat (optional)

- Lift the toilet seat (A) straight up, off of the toilet.



## Care and Cleaning

---

- Re-tighten nuts after seat has been in use for several weeks.
- Do not use abrasive cleaners or corrosive chemicals for daily cleaning.
- Clean with soft damp cloth using mild detergent.



Questions, problems, missing parts? Before returning to the store,  
call Home Decorators Collection Customer Service  
8 a.m. - 7 p.m., EST, Monday-Friday, 9 a.m. - 6 p.m., EST, Saturday

**1-855-HD-GLACIER**

**[HOMEDEPOT.COM/GLACIERBAY](https://www.homedepot.com/glacierbay)**

Retain this manual for future use.