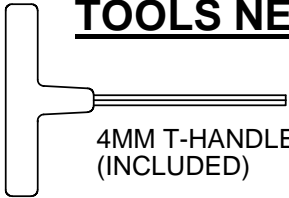


Assembly Instructions

Model: IVA22

- (1) Seat
- (1) Back
- (2) Front legs
- (2) Arms
- (1) Hardware pack

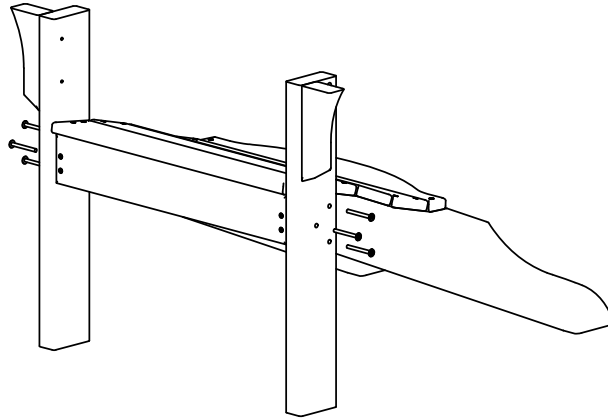
TOOLS NEEDED



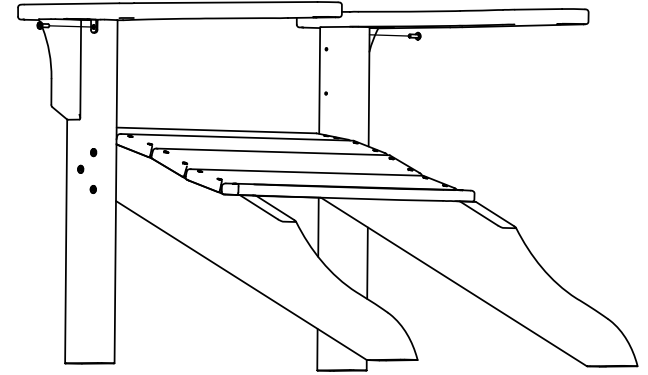
4MM T-HANDLE HEX KEY
(INCLUDED)

Phillips head screwdriver
Screw gun recommended

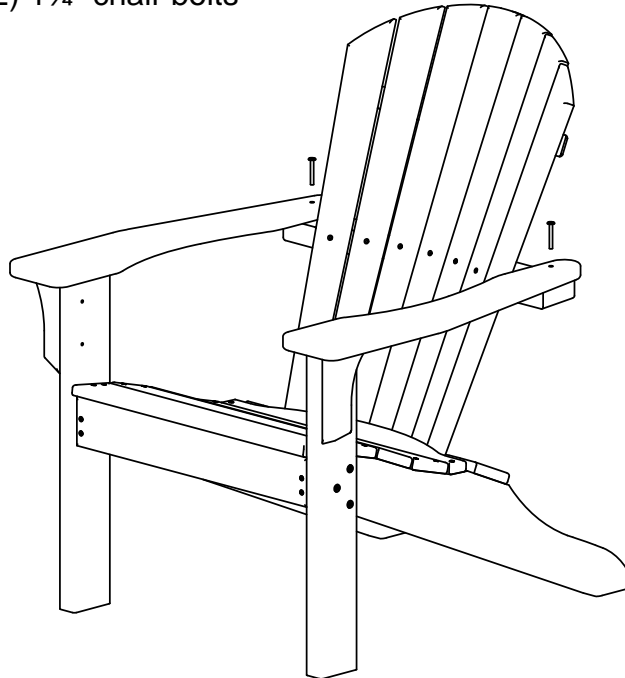
Step 1
Attach front legs to seat using
(6) 2 1/4" chair bolts



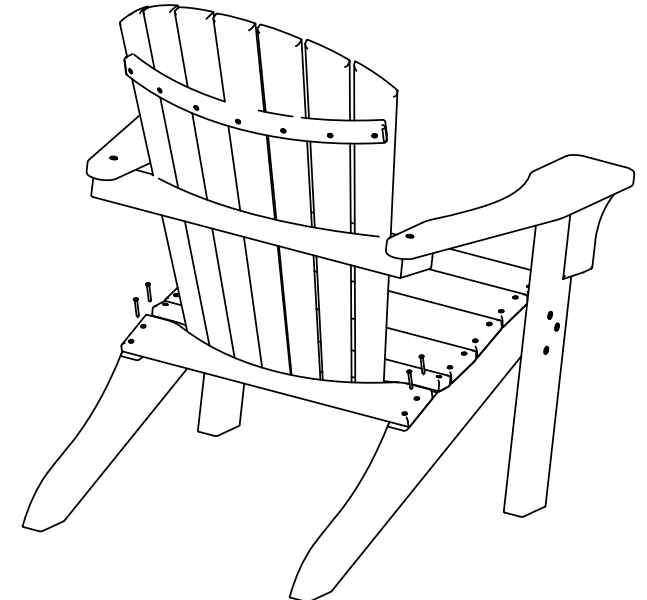
Step 2
Attach arms to front legs using
(2) 3/4" chair bolts



Step 3
Attach arms to back using
(2) 1 3/4" chair bolts



Step 4
Attach back to seat using
(4) 1 1/2" screws



Qty.	Description
4	A - 8 X 1-1/2 PHIL FLAT SCREW
2	B - 1/4-20 X 3/4 WAFER SHCS
2	C - 1/4-20 X 1-3/4 WAFER SHCS
6	D - 1/4-20 X 2-1/4 WAFER SHCS