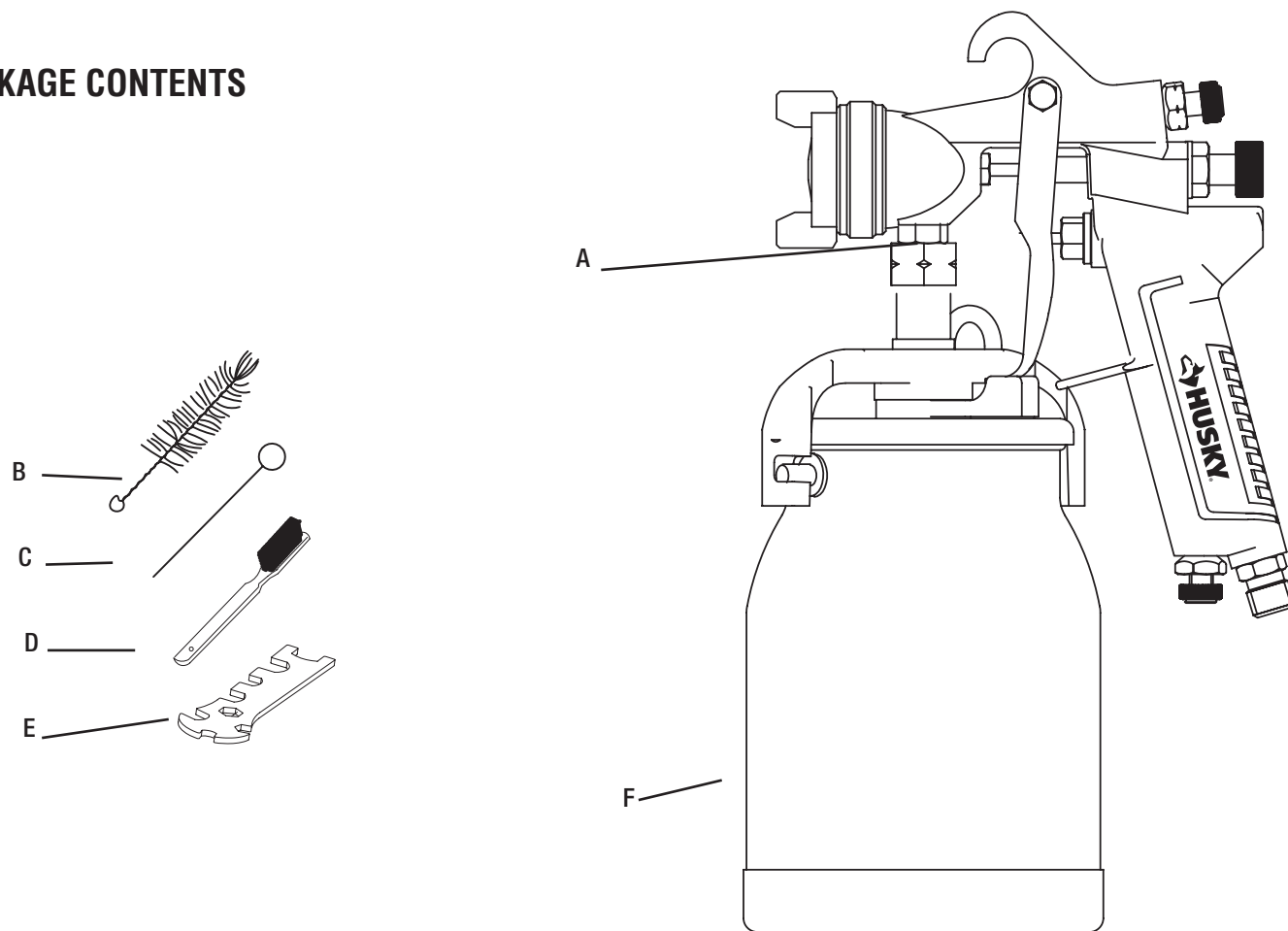


# Pre-Installation

## SPECIFICATIONS

Cup Size (CC)	Spray Pattern (in)	Tip Size (mm)	Weight (lbs)	Length (in)	Maximum Operating Pressure (PSI)	Air Cons. (SCFM)
1000	1.1 - 11.5	1.8	2.22	6.5	45	4

## PACKAGE CONTENTS



Part	Description	Quantity
A	Spray Gun	1
B	Cleaning Brush	1
C	Needle	1
D	Soft Brush	1
E	Wrench	1
F	Paint Cannister	1