

LG SIGNATURE

LUTE4619SN

QUICK INSTALL & CLEARANCES

For full installation directions/clearances please refer to the corresponding User Manual and Installation Guide.

DIMENSIONS/CLEARANCES/WEIGHT

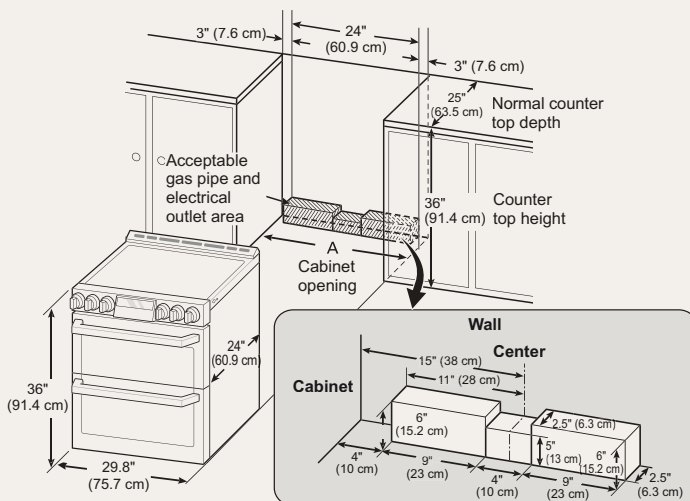
Shipping Weight	231 lbs.
Product Weight	189 lbs
Cabinet Width (in)	30"
Overall Depth (in) - including handle	28- 15/16"
Overall Width (in)	29 7/8"
Oven Interior Dimensions (Upper) (in) (W x H x D)	24-13/16" x 10-13/16" x 20"
Oven Interior Dimensions (Lower) (in) (W x H x D)	24-13/16" x 14-1/4" x 20"
Height to Cooking Surface (in)	6"
Carton Dimensions (in) (W x H x D)	31-31/32" x 44" x 30-17/32"

POWER/RATINGS

Amp at 208V / 240V	55.8A / 64.6A
kW at 208V / 240V	11.6kW / 15.5 kW

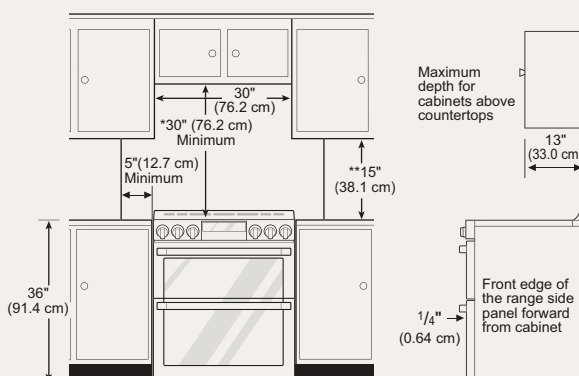


DIMENSIONS AND CLEARANCES



A = 30" (76.2 cm) For U.S.A
= 30" (76.2 cm) ~ 31" (78.7 cm) For CANADA

MINIMUM DIMENSIONS



* 30" (76.2 cm) minimum clearance between the top of the cooking surface and the bottom of an unprotected wood or metal cabinet; or 24" (60.9 cm) minimum when bottom of wood or metal cabinet is protected by not less than 1/4" (6.4 cm) flame retardant millboard covered with not less than 0.28 MSG sheet steel, 0.015" (0.381 mm) stainless steel, 0.024" (0.610 mm) aluminum or 0.020" (0.508mm) copper.

** 15" (38.1 cm) minimum between countertop and adjacent cabinet bottom.

CONNECTING ELECTRICITY

This appliance must be installed and grounded on a branch circuit by a qualified technician in accordance with the National Electrical code ANSI/NFPA NO. 70 - latest edition.

All wiring should conform to Local and NEC codes. This range requires a single-phase, 3 wire, A.C 120/208 V or 120/240 V 60 Hz electrical system. Use only a 3-conductor or a 4-conductor UL - listed range cord with closed-loop terminals, open-end spade lugs with upturned ends or similar termination. Do not install the power cord without a strain relief.

Specified power-supply-cord kit rating

Range rating, watts		Specified rating of power supply-cord kit, amperes	Diameter (inches) of Range connection Opening	
120/240 volts 3-wire	120/208 volts 3-wire		Power cord	Conduit
8,750 - 16,500	7,801 - 12,500	40 or 50A	1 3/8"	1 1/8"
16,501 - 22,500	12,501 - 18,500	50	1 3/4"	1 3/8"



A range cord rated at 40 amps with 120/208 or 120/240 minimum volt range is required. If a 50 amp range cord is used, it should be marked for use with 13/8" diameter connection openings. This appliance may be connected by means of a conduit or power cord. If a conduit is being used, go to page 23 for 3 wire conduit connections or 4 wire conduit connections.