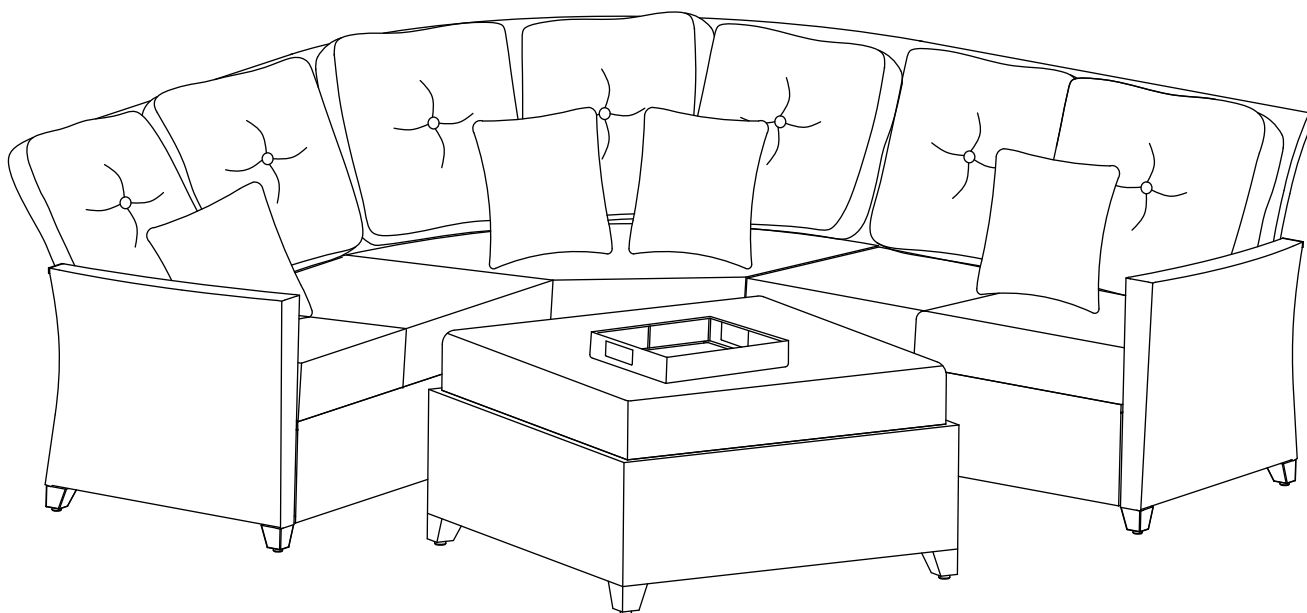




Item # 000 000 000
Model # FRS80413GL-ST

USE AND CARE GUIDE

TACANA SECTIONAL WITH CUSHIONED TABLE



Questions, problems, missing parts? Before returning to the store,
call Hampton Bay Customer Service.
8 a.m. - 7 p.m., EST, Monday - Friday, 9 a.m. - 6 p.m., EST, Saturday

1-855-HD-HAMPTON

HAMPTONBAY.COM

THANK YOU

We appreciate the trust and confidence you have placed in Hampton Bay through the purchase of this sectional set. We strive to continually create quality products designed to enhance your home. Visit us online to see our full line of products available for your home improvement needs. Thank you for choosing Hampton Bay!

Table of Contents


Table of Contents	2	Right Arm Chair Package Contents	5
Safety Information	2	Middle Chair Package Contents	6
Product Caution	2	Set Package Contents	7
Safety Warnings	2	Left Arm Chair Assembly	8
Warranty	2	Right Arm Chair Assembly	12
What is Covered	2	Middle Chair Assembly	16
What is Not Covered	2	Set Assembly	18
Pre-Assembly	3	Care and Cleaning	21
Planning Assembly	3		
Hardware Included	3		
Left Arm Chair Package Contents	4		


Safety Information


PRODUCT CAUTION

This set was made for the explicit purpose of providing outdoor functions and is not to be used as a toy. This product is intended for normal outdoor use; however, the manufacturer recommends storing and / or covering this set when any formidable / severe weather is approaching. Do not locate this product near open flames. Do not use this product as a support. Do not shake, lean, or climb on the product. Children under the age of 10, near the product, should be supervised by a competent adult at all times. This product is NOT intended for commercial use and will void the warranty.

SAFETY WARNINGS

 **WARNING:** Weight limit for the chairs is 250 lbs (113.39 kg) for each seat.

 **CAUTION:** When not in use, secure the product in a cool and covered location.

 **WARNING:** This sectional set is heavy and may require two adults for safe assembly.

 **WARNING:** Do not place heavy objects on the chair.

Warranty

2 YEAR FRAME AND 2 YEAR FABRIC LIMITED WARRANTY

WHAT IS COVERED

We warrant the frames to be free of manufacturing defects to the original purchaser for two years with a two year limited warranty for the fabric.

WHAT IS NOT COVERED

It remains the customer's responsibility for freight and packaging charges to and from our service center. This warranty does not cover commercial use, hardware, acts of nature, fire, freezing, and abusive use. In addition, purchased parts are not covered under this warranty. We reserve the right to make substitutions with similar merchandise, if the model in question is no longer in production.

Contact the Customer Service Team at 1-855-HD-HAMPTON or visit www.HamptonBay.com.

Pre-Assembly

PLANNING ASSEMBLY

Read all instructions before assembly.

To avoid damaging this product, assemble it on a soft, non-abrasive surface such as carpet or cardboard.

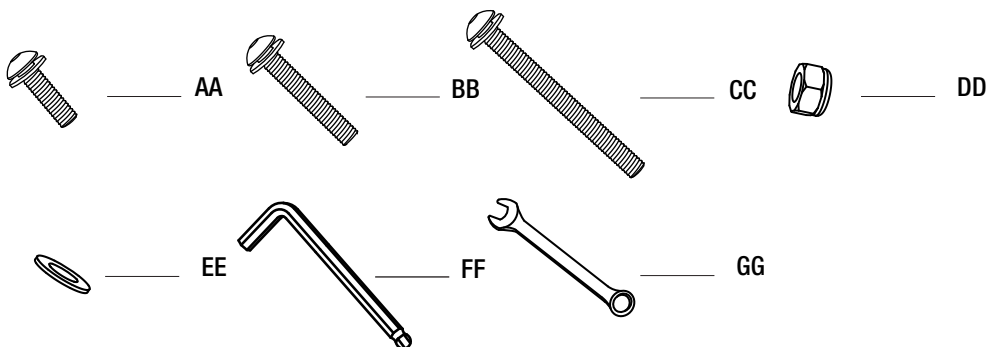


NOTE: More than one person may be required to assemble this product.

HARDWARE INCLUDED



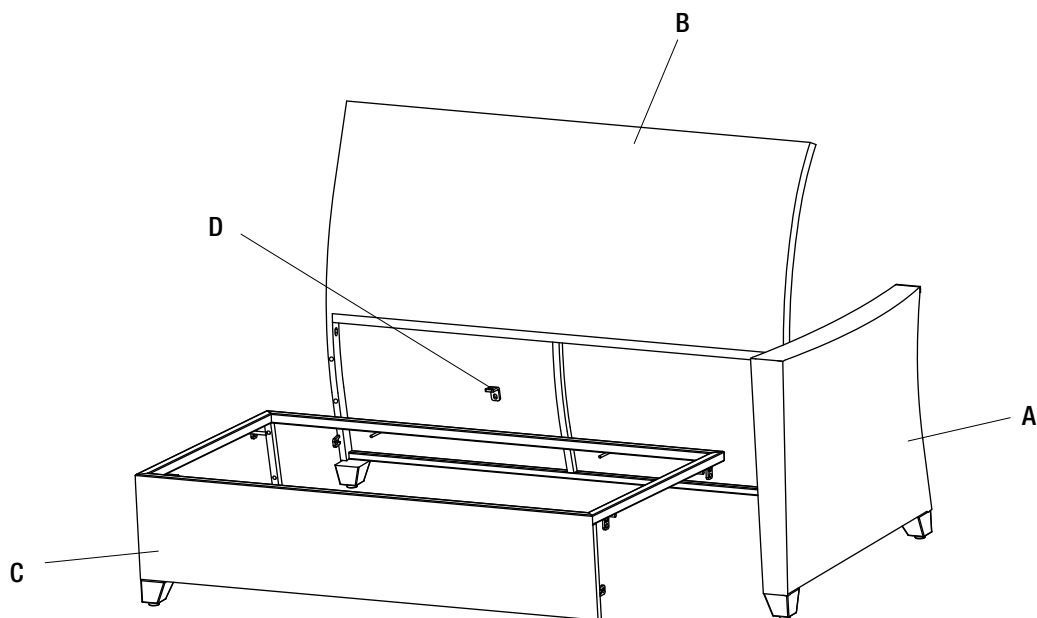
NOTE: Hardware not shown to actual size.



Part	Description	Quantity
AA	M6x20 combination bolt	16+1
BB	M6x35 combination bolt	10+1
CC	M6x60 combination bolt	4+1
DD	M6 nut	4+1
EE	M6 washer	4+1
FF	Hex wrench	2
GG	Wrench	1

Pre-Assembly (continued)

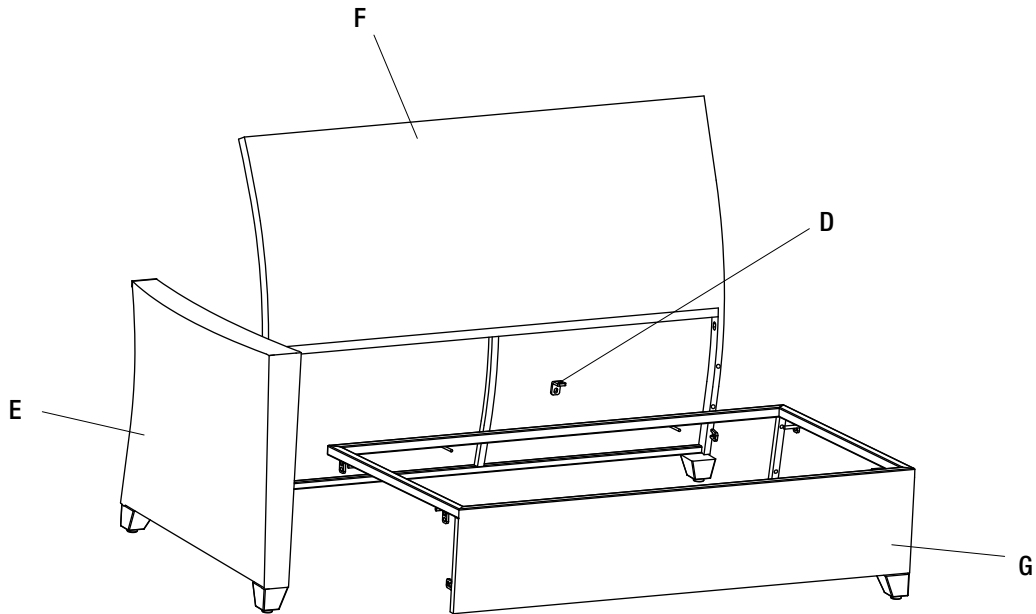
LEFT ARM CHAIR PACKAGE CONTENTS



Part	Description	Quantity
A	Left arm	1
B	Left arm chair backrest	1
C	Left arm chair seat	1
D	Corner brace	1

Pre-Assembly (continued)

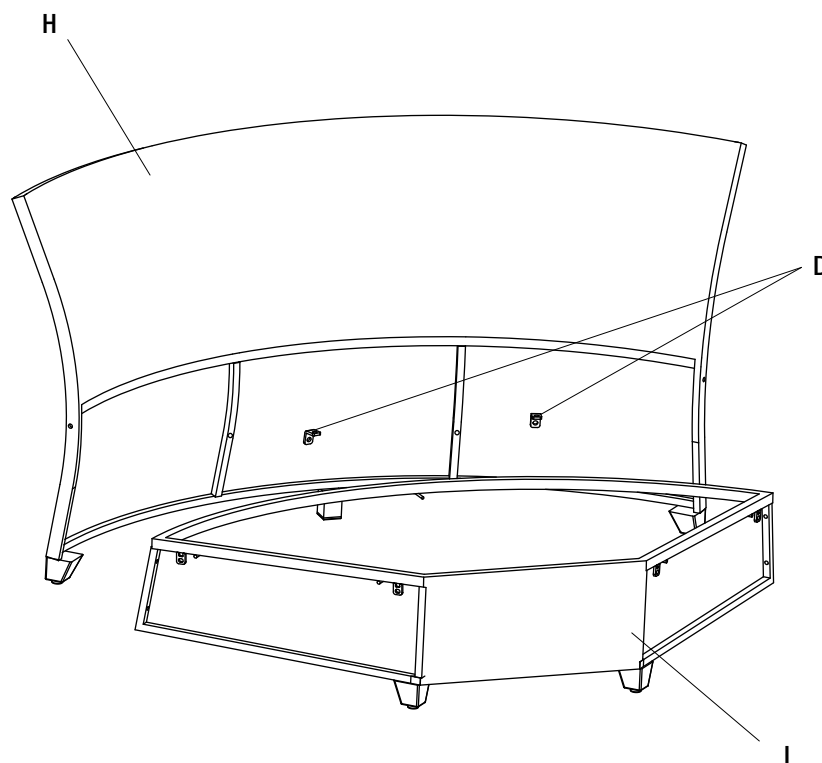
RIGHT ARM CHAIR PACKAGE CONTENTS



Part	Description	Quantity
D	Corner brace	1
E	Right arm	1
F	Right arm chair backrest	1
G	Right arm chair seat	1

Pre-Assembly (continued)

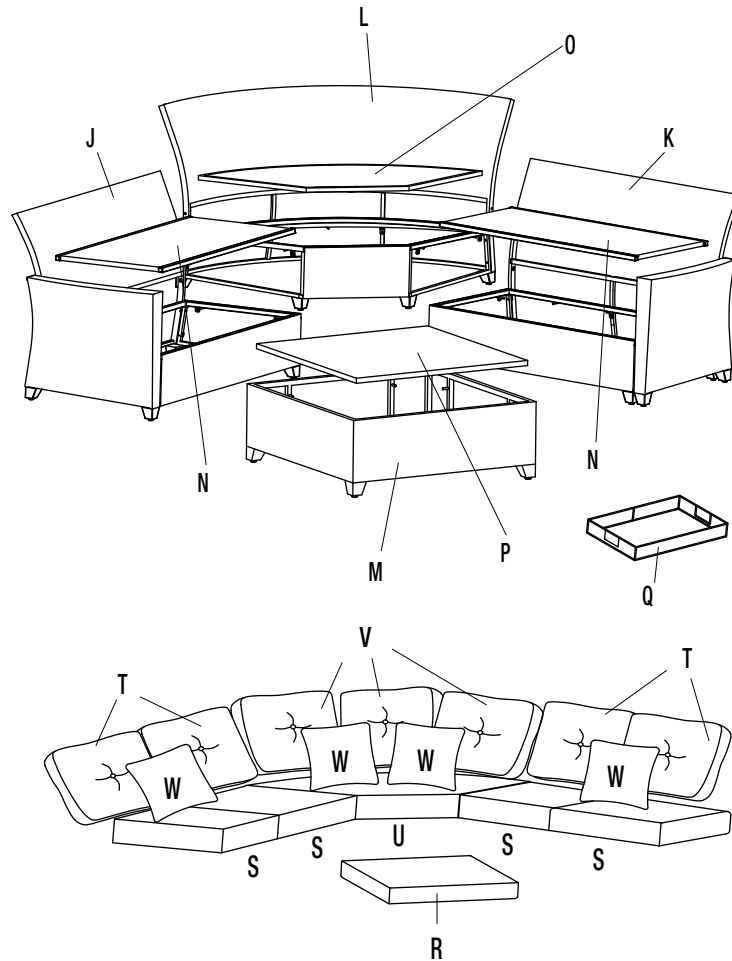
MIDDLE CHAIR PACKAGE CONTENTS



Part	Description	Quantity
D	Corner brace	2
H	Middle chair backrest	1
I	Middle chair seat	1

Pre-Assembly (continued)

SET PACKAGE CONTENTS



Part	Description	Quantity
J	Right arm chair	1
K	Left arm chair	1
L	Middle chair	1
M	Ottoman	1
N	Arm chair sling seat panel	2
O	Middle chair sling seat panel	1
P	Ottoman sling panel	1
Q	Tray	1
R	Ottoman cushion	1
S	Arm chair seat cushion	4
T	Arm chair back cushion	4
U	Middle chair seat cushion	1
V	Middle chair back cushion	3
W	Pillow	4

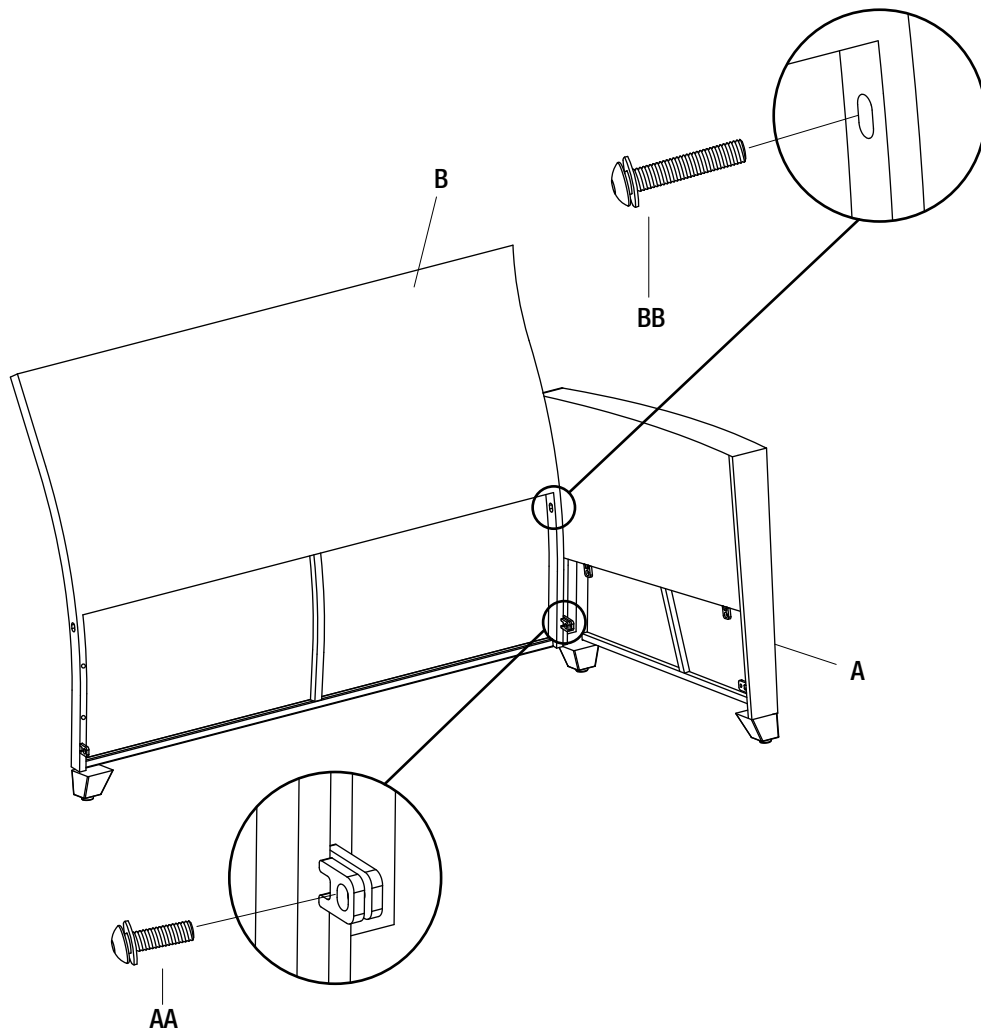
Left Arm Chair Assembly

1 CONNECTING THE LEFT ARM TO THE LEFT ARM CHAIR BACKREST

- Attach the left arm (A) to the left arm chair backrest (B) using an M6x20 combination bolt (AA) and M6x35 combination bolt (BB).



NOTE: Loosely tighten all bolts using the hex wrench (FF).



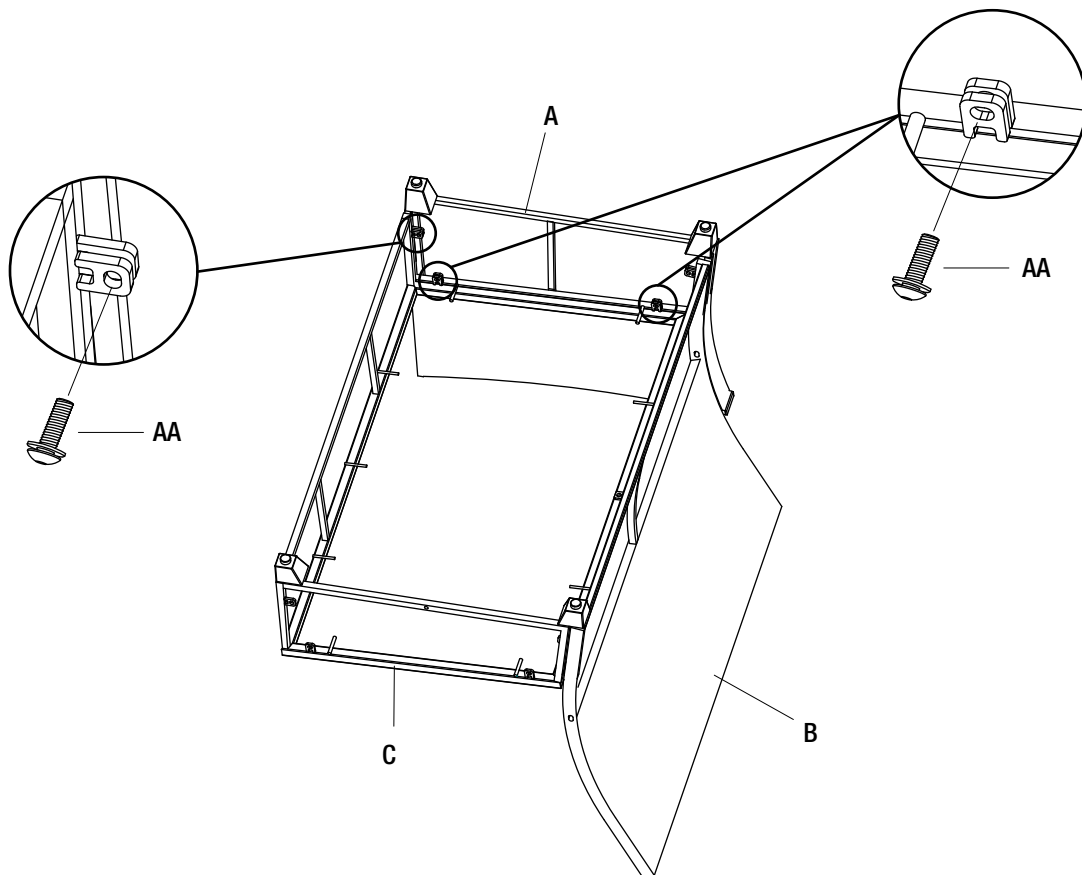
Left Arm Chair Assembly (continued)

2 CONNECTING THE LEFT ARM TO THE LEFT ARM CHAIR SEAT

- Place the left arm (A) and the left arm chair backrest (B) upside down on a soft surface.
- Attach the left arm chair seat (C) to the left arm (A) using M6x20 combination bolts (AA).



NOTE: Loosely tighten all bolts using the hex wrench (FF) .



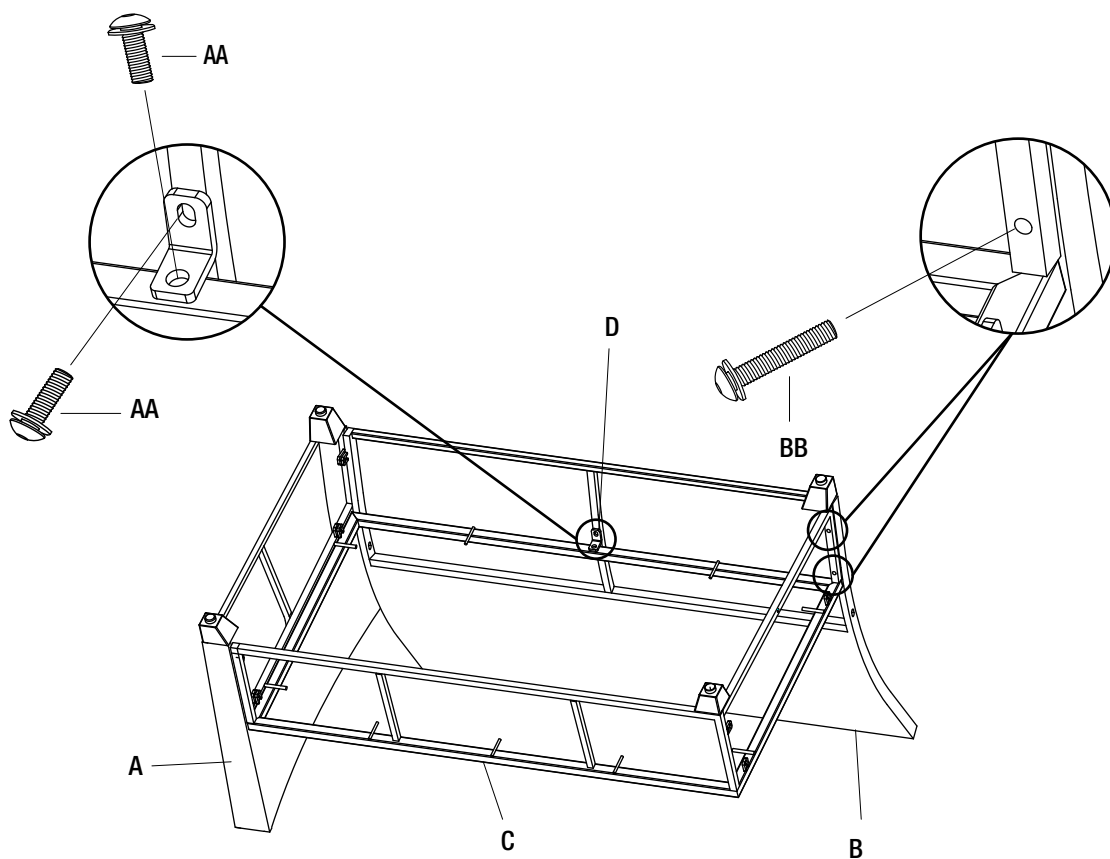
Left Arm Chair Assembly (continued)

3 CONNECTING THE LEFT ARM CHAIR SEAT TO THE LEFT ARM CHAIR BACKREST

- Attach the left arm chair seat (C) to the left arm chair backrest (B) using M6x35 combination bolts (BB).
- Secure the left arm chair seat (C) to the left arm chair backrest (B) by inserting M6x20 combination bolts (AA) through the corner brace (D).



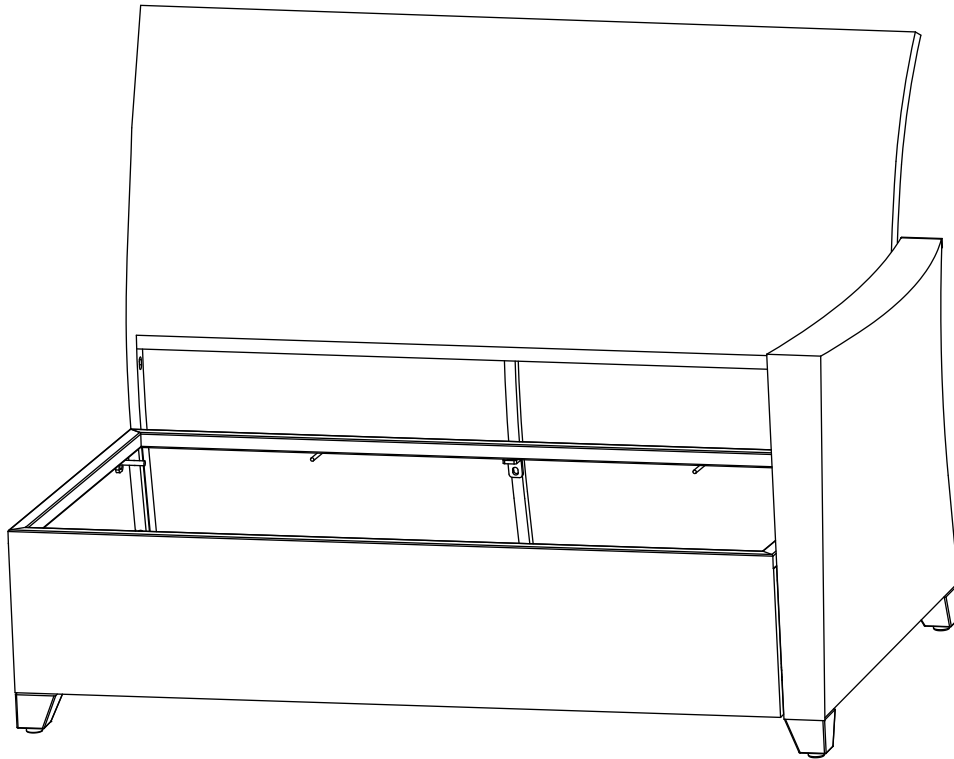
NOTE: Loosely tighten all bolts using the hex wrench (FF) .



Left Arm Chair Assembly (continued)

4 TIGHTENING THE BOLTS

- Once all of the bolts are in place, fully tighten all of the bolts.
- Turn the left arm chair right side up.
- Make sure that the left arm chair is tightly assembled and stable before use.



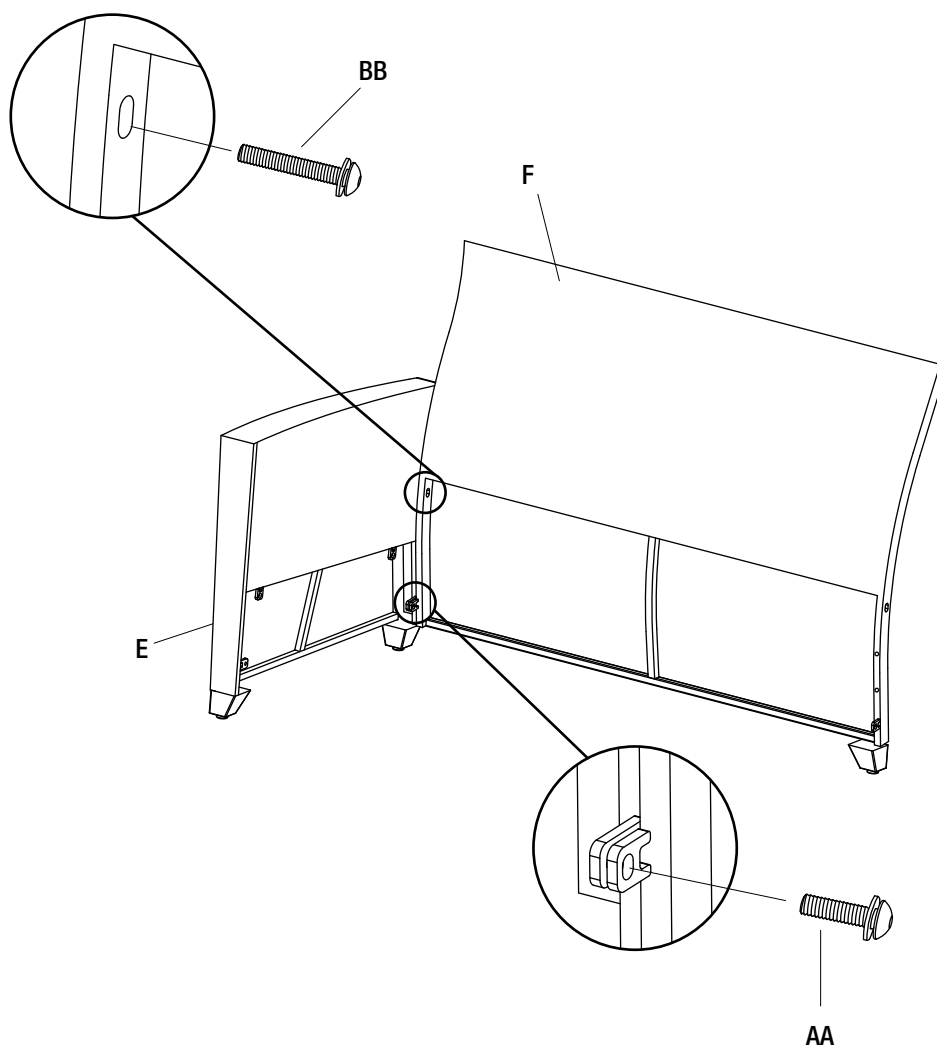
Right Arm Chair Assembly

1 CONNECTING THE RIGHT ARM TO THE RIGHT ARM CHAIR BACKREST

- Attach the right arm (E) to the right arm chair backrest (F) using an M6x20 combination bolt (AA) and M6x35 combination bolt (BB).



NOTE: Loosely tighten all bolts using the hex wrench (FF).



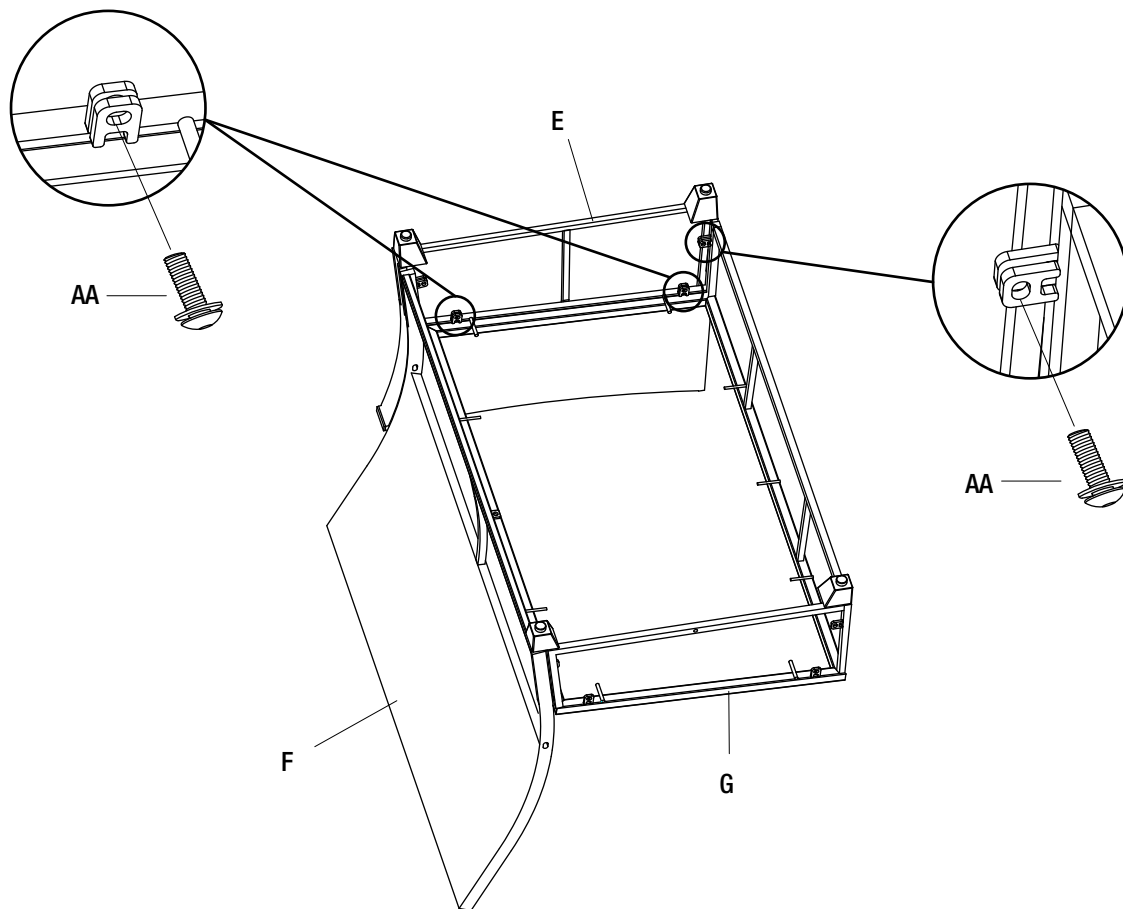
Right Arm Chair Assembly (continued)

2 CONNECTING THE RIGHT ARM TO THE RIGHT ARM CHAIR SEAT

- Place the right arm (E) and the right arm chair backrest (F) upside down on a soft surface.
- Attach the right arm chair seat (G) to the right arm (E) using M6x20 combination bolts (AA).



NOTE: Loosely tighten all bolts using the hex wrench (FF).



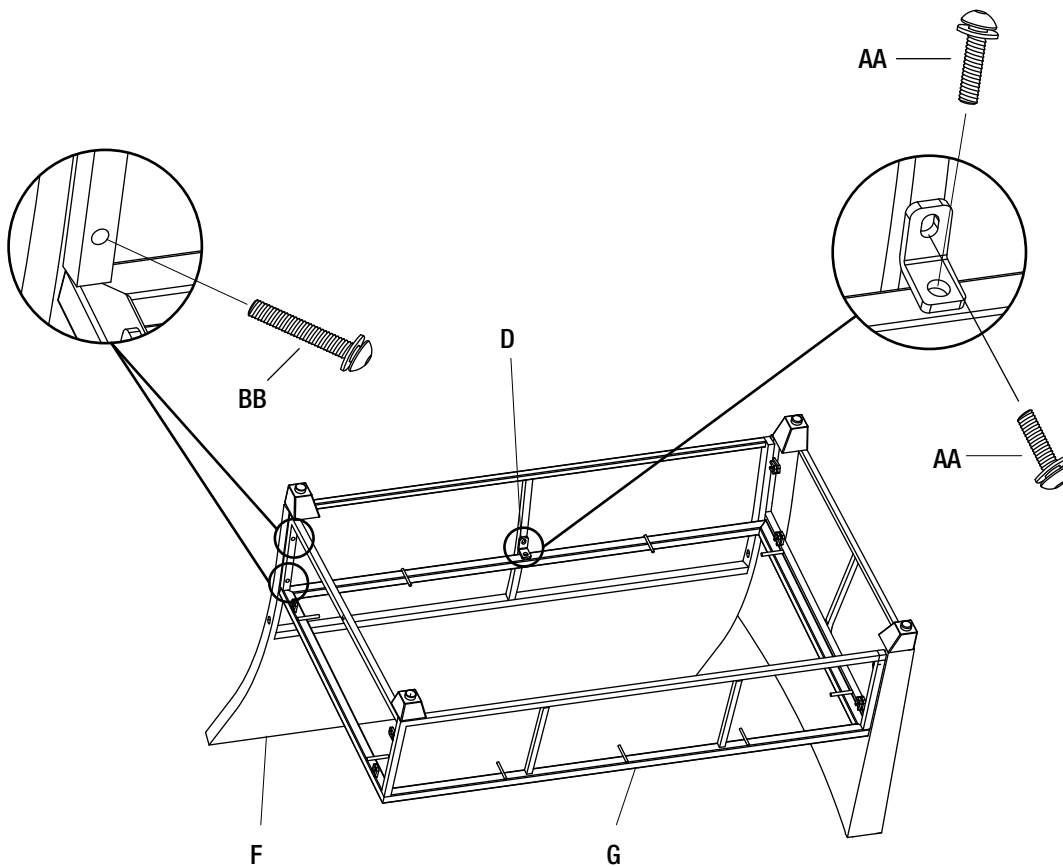
Right Arm Chair Assembly (continued)

3 CONNECTING THE RIGHT ARM CHAIR SEAT TO THE RIGHT ARM CHAIR BACKREST

- Attach the right arm chair seat (G) to the right arm chair backrest (F) using M6x35 combination bolts (BB).
- Secure the right arm chair seat (G) to the right arm chair backrest (F) by inserting M6x20 combination bolts (AA) through the corner brace (D).



NOTE: Loosely tighten all bolts using the hex wrench (FF).



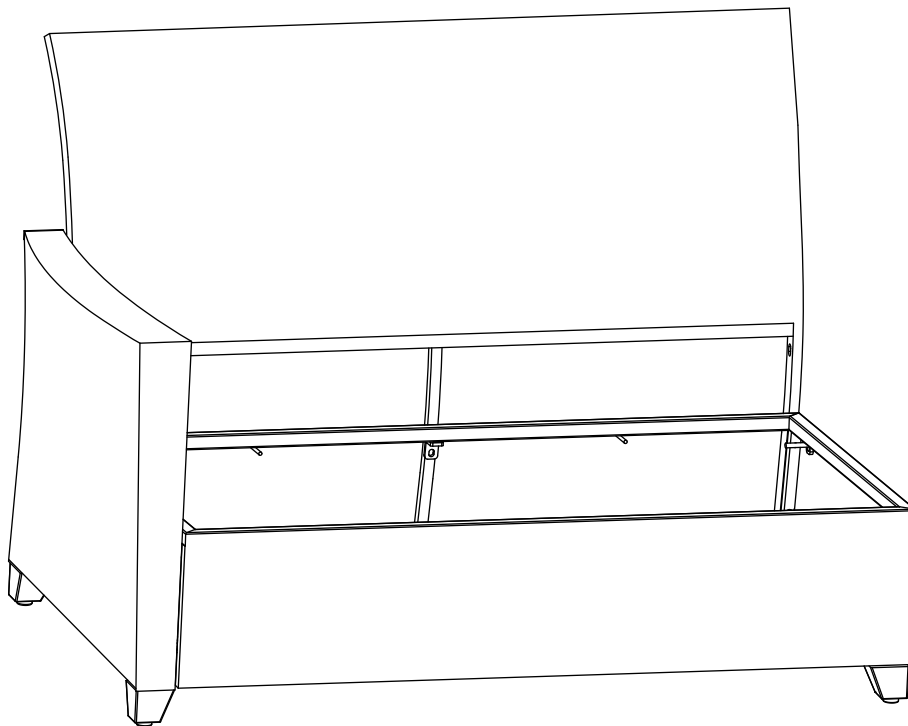
Right Arm Chair Assembly (continued)

4 TIGHTENING THE BOLTS

- Once all of the bolts are in place, fully tighten all of the bolts.
- Turn the right arm chair right side up.
- Make sure that the right arm chair is tightly assembled and stable before use.



NOTE: Loosely tighten all bolts using the hex wrench (FF).



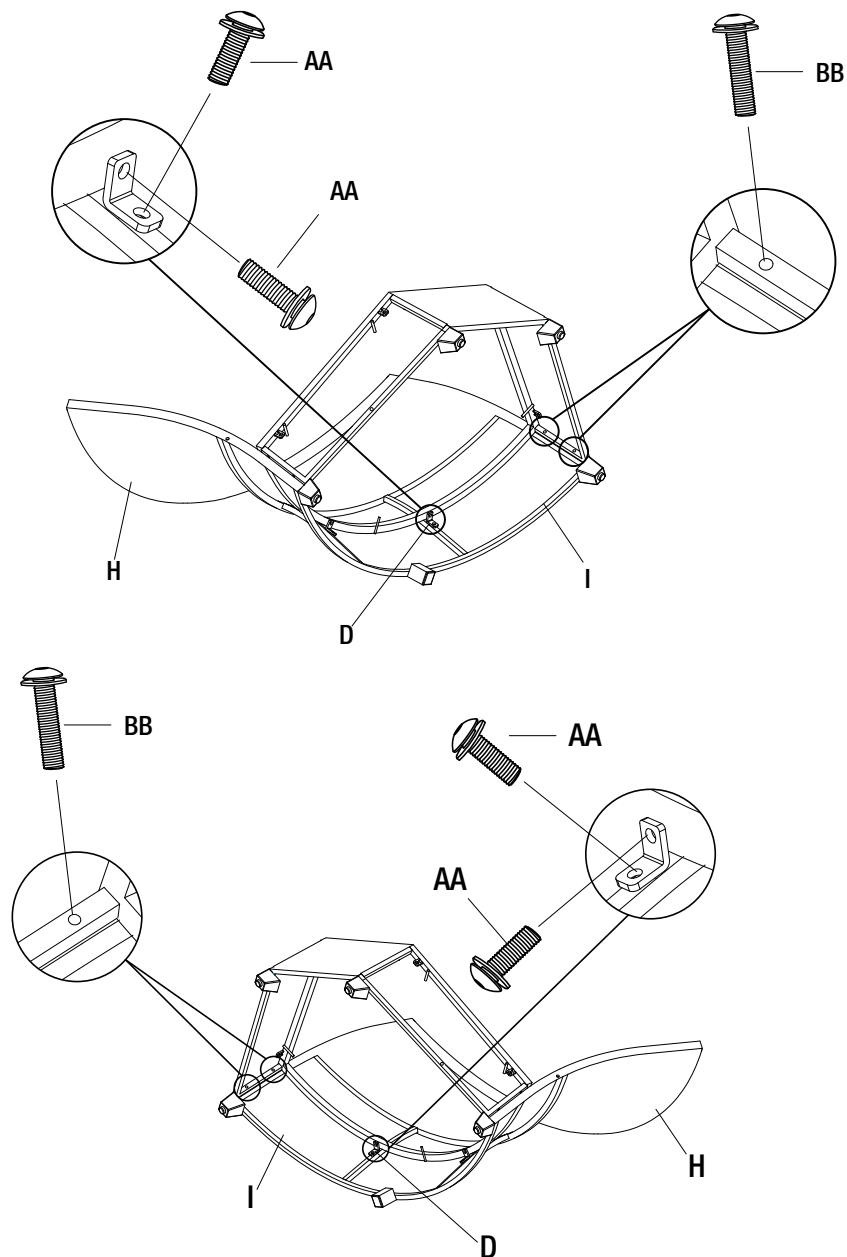
Middle Chair Assembly

1 CONNECTING THE MIDDLE CHAIR SEAT TO THE MIDDLE CHAIR BACKREST

- Place the middle chair seat (I) and the middle chair backrest (H) upside down on a soft surface.
- Attach the middle chair seat (I) to the middle chair backrest (H) using M6x35 combination bolts (BB).
- Secure the middle chair seat (I) to the middle chair backrest (H) by inserting M6x20 combination bolts (AA) through the corner brace (D).



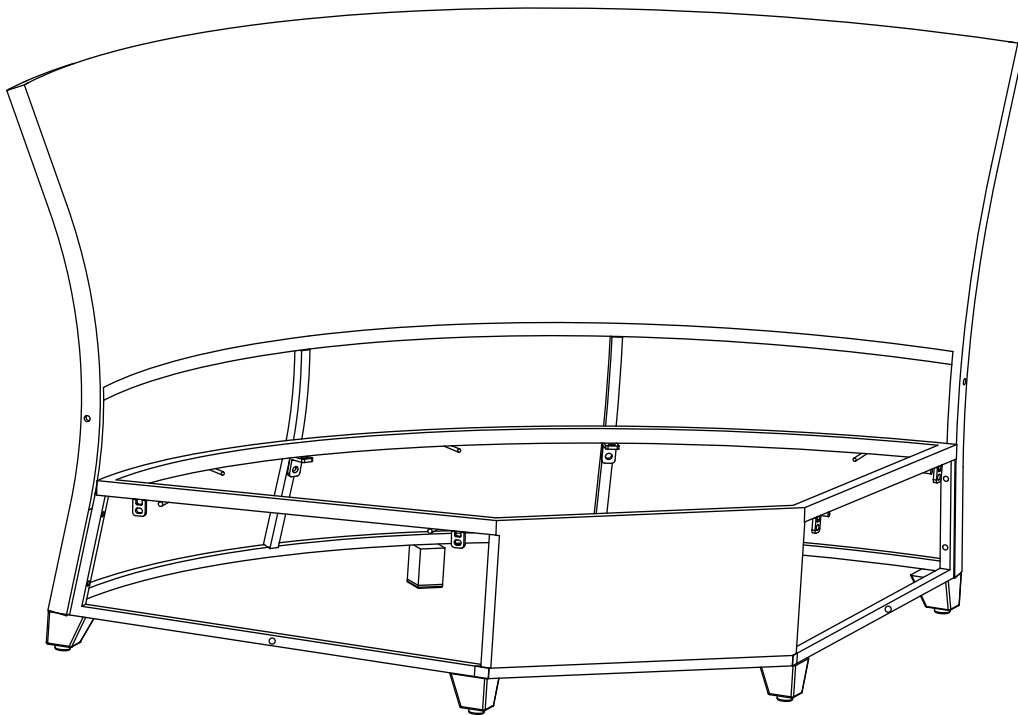
NOTE: Loosely tighten all bolts using the hex wrench (FF).



Middle Chair Assembly (continued)

2 TIGHTENING THE BOLTS

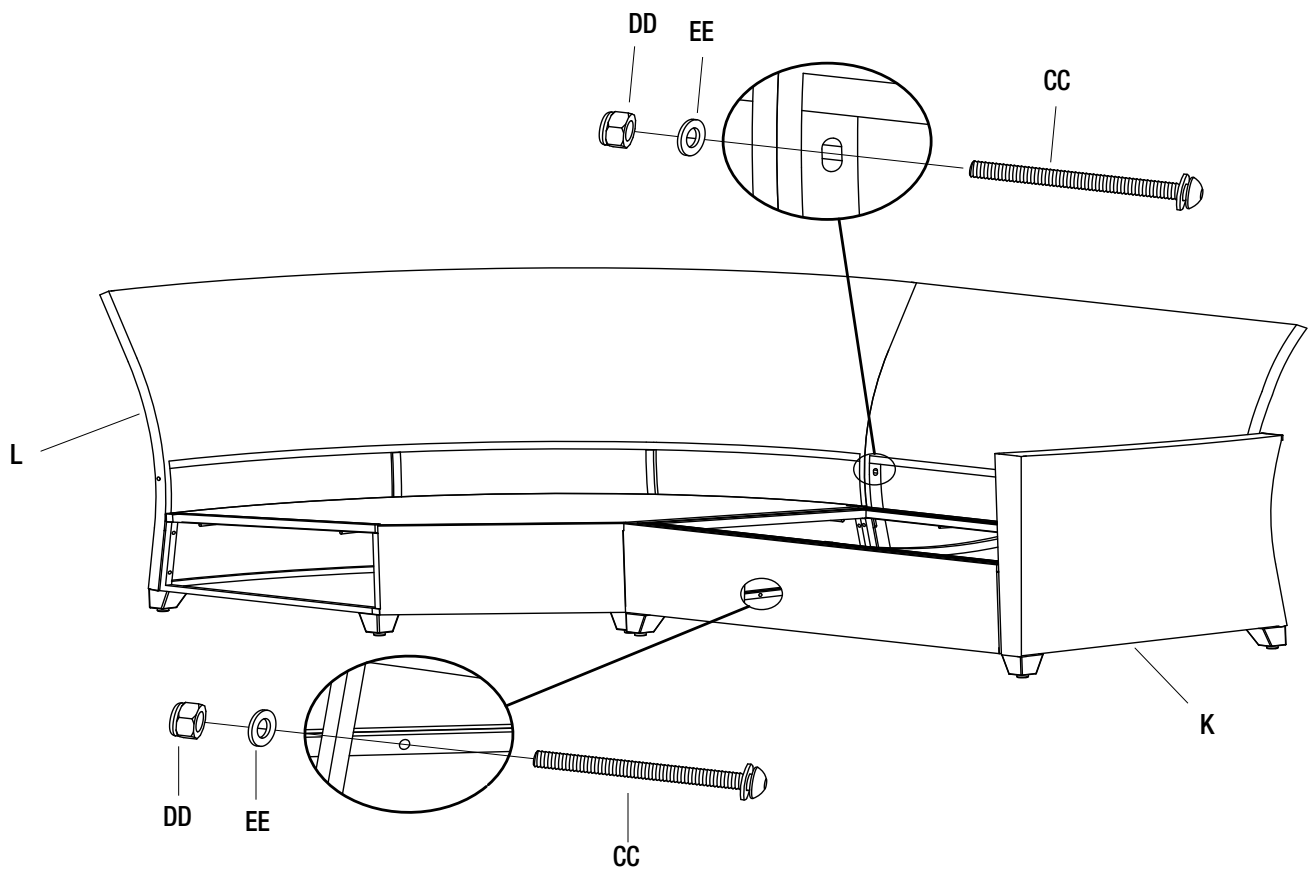
- Once all of the bolts are in place, fully tighten all of the bolts.
- Turn the middle chair right side up.
- Make sure that the middle chair is tightly assembled and stable before use.



Set-Assembly

1 CONNECTING THE LEFT ARM CHAIR TO THE MIDDLE CHAIR

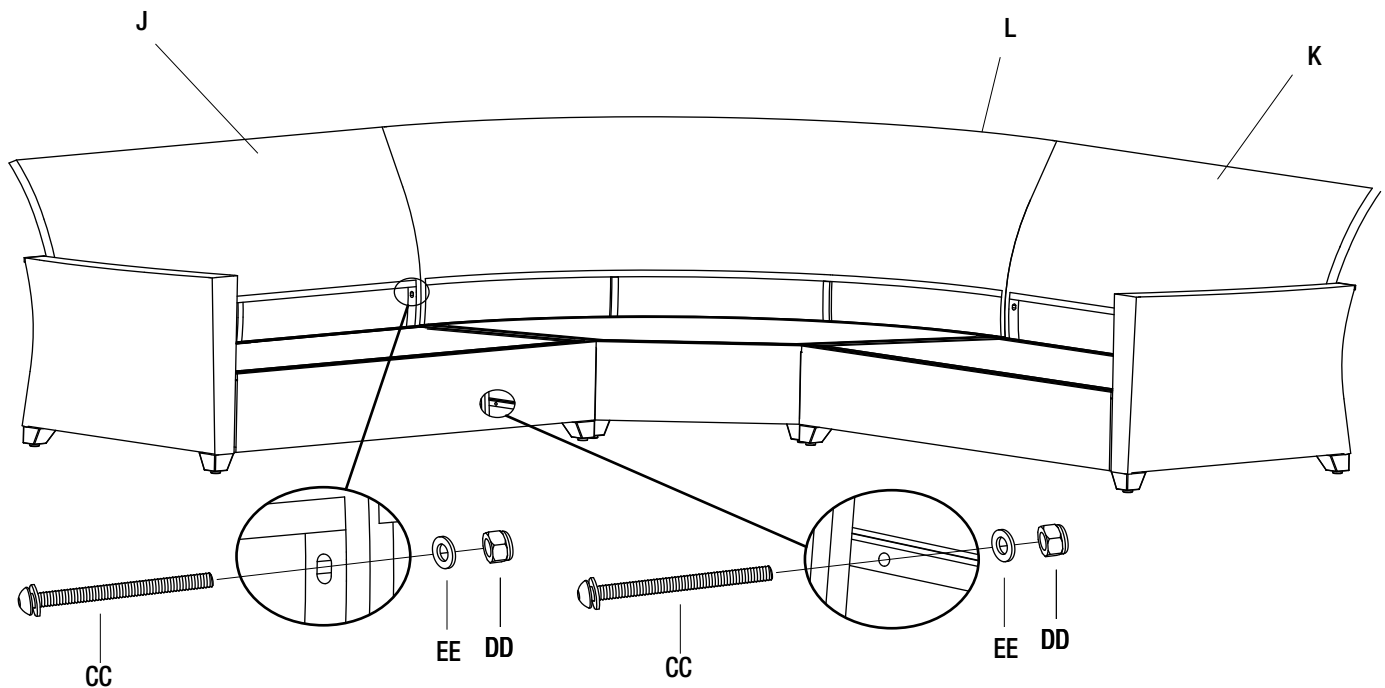
- Attach the left arm chair (K) to the middle chair (L) using M6x60 combination bolts (CC), M6 washers (EE) and M6 nuts (DD).



Set Assembly (continued)

2 CONNECTING THE RIGHT ARM CHAIR TO THE MIDDLE CHAIR

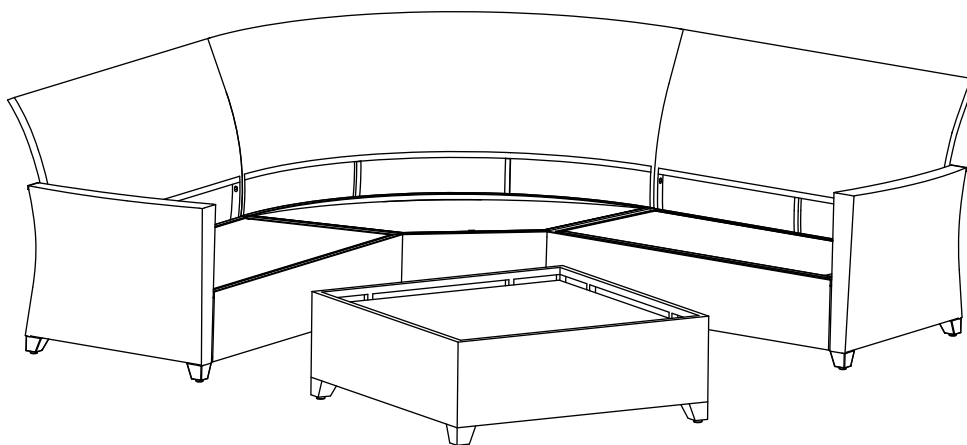
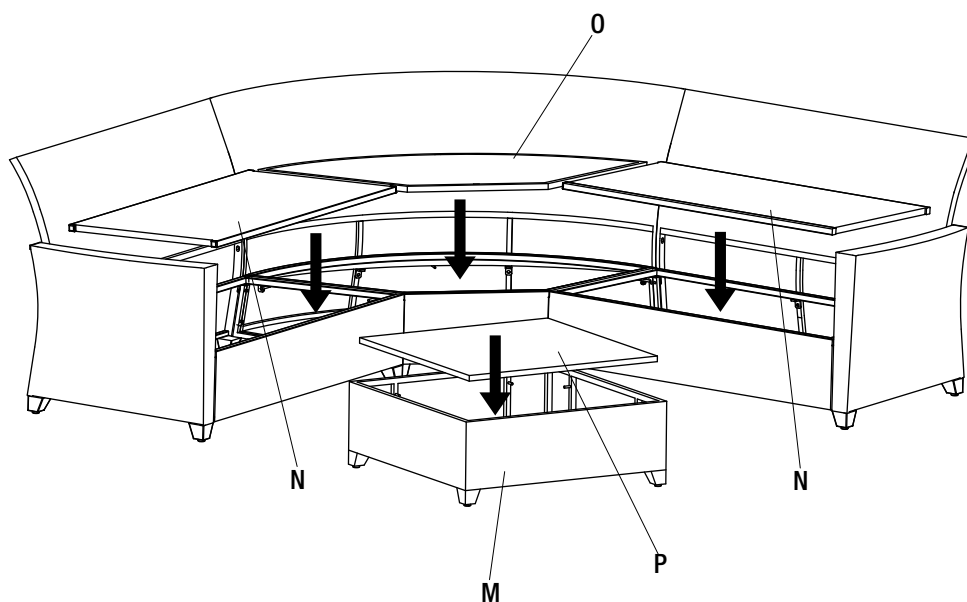
- Attach the right arm chair (J) to the middle chair (L) using M6x60 combination bolts (CC), M6 washers (EE) and M6 nuts (DD).



Set Assembly (continued)

3 PLACING THE SLING PANELS ON THE CHAIRS AND THE OTTOMAN

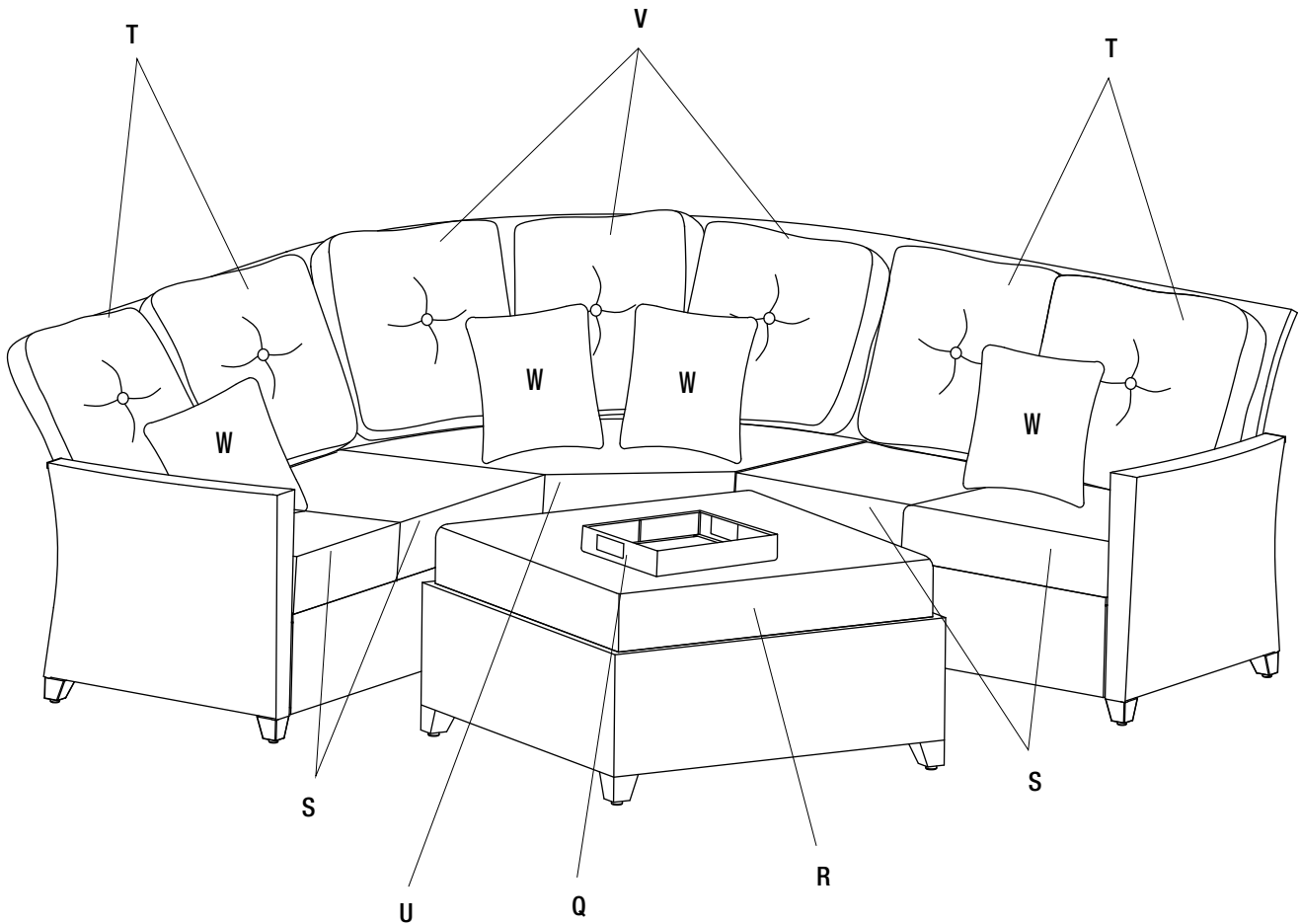
- Place the chair sling seat panels (N), middle chair sling seat panel (O) and the ottoman sling panel (P) onto the chairs and the ottoman (M).



Set Assembly (continued)

4 CHECKING THE SET

- Ensure all connections are secure before use.
- Place the arm chair seat cushions (S), the arm chair back cushions (T), the middle chair seat cushion (U), the middle chair back cushions (V), the pillows (W), the ottoman cushion (R) and the tray (Q) onto the chairs and the ottoman (M) to finish the assembly of the set.



Care and Cleaning

- For best results, clean the frame and fabric with a damp cloth and dry thoroughly. This will help prevent mildew by removing dirt particles that may accumulate.
- Do not clean with abrasive materials, bleach, or solvents.
- Store the set in a dry, sheltered place when not in use.
- Keep the set away from fire, extreme heat, freezing conditions, and inclement weather such as rain, hail, sleet, snow, or wind.



Questions, problems, missing parts? Before returning to the store,
call Hampton Bay Customer Service.
8 a.m. - 7 p.m., EST, Monday - Friday, 9 a.m. - 6 p.m., EST, Saturday

1-855-HD-HAMPTON

HAMPTONBAY.COM

Retain this manual for future use.