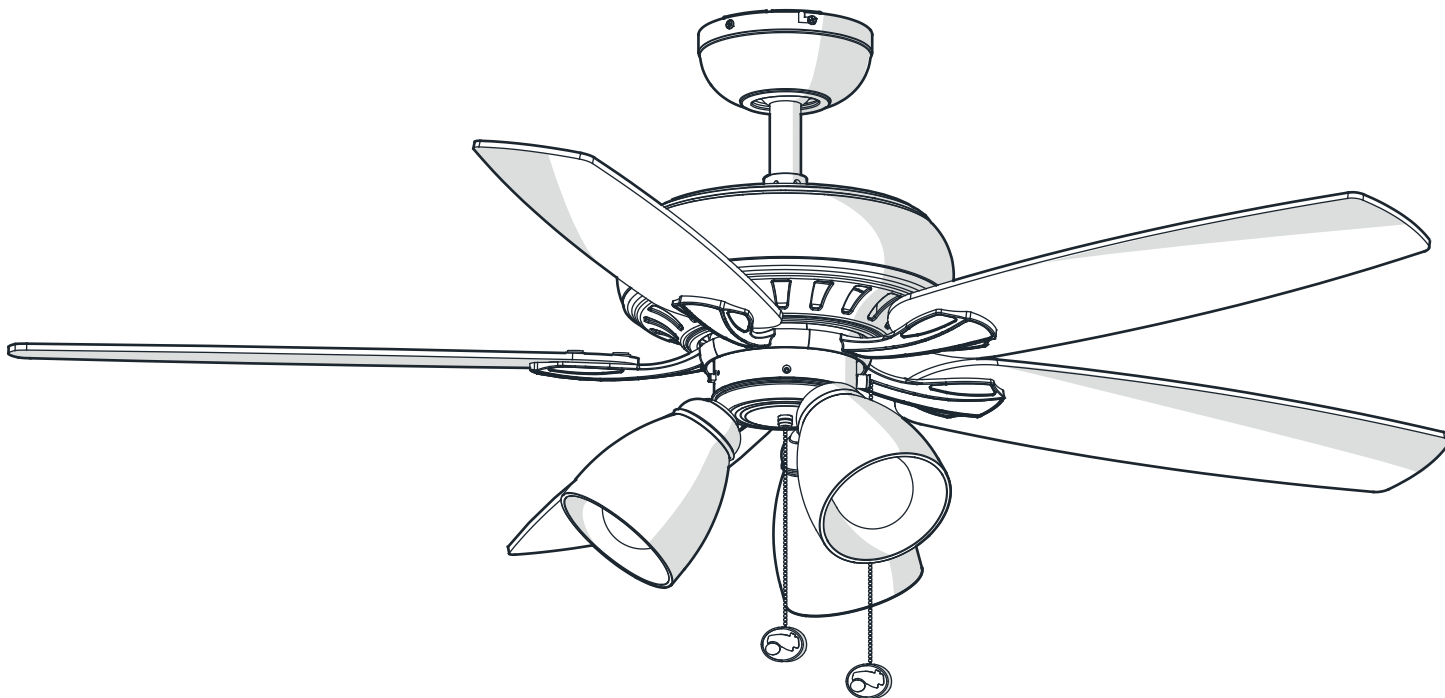




Item #XXXX XXX XXX, XXXX XXX XXX,
XXXX XXX XXX, XXXX XXX XXX
Model #91850, 91851,
91852, 91854
UL Model #52-RPT

USE AND CARE GUIDE

ROCKPORT 52-INCH CEILING FAN



Questions, problems, missing parts? Before returning to the store,
call Hampton Bay Customer Service
8 a.m. - 7 p.m., EST, Monday-Friday, 9 a.m. - 6 p.m., EST, Saturday

1-855-HD-HAMPTON

HAMPTONBAY.COM



To view an instructional video on how to install this product:

1. Go to www.homedepot.com and enter either the Item or Model number, found in the top right corner of the cover of this instruction manual, in the search field.
2. Click on your product from the list of search results and click on the video link in the "Product Overview" section.

THANK YOU

We appreciate the trust and confidence you have placed in Hampton Bay through the purchase of this ceiling fan. We strive to continually create quality products designed to enhance your home. Visit us online to see our full line of products available for your home improvement needs.

Thank you for choosing Hampton Bay!

Table of Contents

Table of Contents	2	Assembly	7
Safety Information	2	Operation	13
Warranty	3	Care and Cleaning	14
Pre-Installation	3	Troubleshooting	14
Installation.....	6		

Safety Information

READ AND SAVE THESE INSTRUCTIONS

1. To reduce the risk of electric shock, ensure the electricity has been turned off at the circuit breaker or fuse box before you begin.
2. All wiring must be in accordance with the National Electrical Code ANSI/NFPA 70 and local electrical codes. Electrical installation should be performed by a qualified licensed electrician.
3. The outlet box and support structure must be securely mounted and capable of reliably supporting 35 lbs. (15.9 kg). Use only UL Listed outlet boxes marked "Acceptable for Fan Support of 35 lbs. (15.9 kg) or less."
4. The fan must be mounted with a minimum of 7 ft. (2.1 m) clearance from the trailing edge of the blades to the floor.
5. Do not operate the reversing switch while the fan blades are in motion. You must turn the fan off and stop the blades before you reverse the blade direction.
6. Do not place objects in the path of the blades.
7. To avoid personal injury or damage to the fan and other items, use caution when working around or cleaning the fan.
8. Electrical diagrams are for reference only. Light kits that are not packed with the fan must be UL-listed and marked suitable for use with the model fan you are installing. Switches must be UL General Use Switches. Refer to the instructions packaged with the light kits and switches for proper assembly.
9. After making electrical connections, spliced conductors should be turned upward and pushed carefully up into the outlet box. The wires should be spread apart with the grounded conductor and the equipment-grounding conductor on one side of the outlet box.
10. All setscrews must be checked and retightened where necessary before installation.



WARNING: To reduce the risk of personal injury, do not bend the blade brackets (also referred to as flanges) during assembly or after installation. Do not insert objects in the path of the blades.



WARNING: Remove the rubber motor stops on the bottom of the fan before installing the blades or testing the motor.



WARNING: To reduce the risk of fire or electric shock, do not use this fan with any solid-state speed control device.



WARNING: To avoid possible electrical shock, turn the electricity off at the main fuse box before wiring. If you feel you do not have enough electrical wiring knowledge or experience, contact a licensed electrician.



WARNING: Electrical diagrams are for reference only. Optional use of any light kit shall be UL-listed and marked suitable for use with this fan.



WARNING: To reduce the risk of fire, electric shock, or personal injury, mount to outlet box marked "Acceptable for fan support of 35 lbs. (15.9 kg) or less," and use the screws provided with the outlet box.

This equipment has been tested and found to comply with the limits for a Class B digital device, pursuant to Part 15 of the FCC Rules. These limits are designed to provide reasonable protection against harmful interference in a residential installation. This equipment generates, uses and can radiate radio frequency energy and, if not installed and used in accordance with the instructions, may cause harmful interference to radio communications. However, there is no guarantee that interference will not occur in a particular installation. If this equipment does cause harmful interference to radio or television reception, which can be determined by turning the equipment off and on, the user is encouraged to try to correct the interference by one or more of the following measures:

- Reorient or relocate the receiving antenna.
- Increase the separation between the equipment and receiver.
- Connect the equipment into an outlet on a circuit different from that to which the receiver is connected.
- Consult the dealer or an experienced radio/TV technician for help.

CAUTION:
Any changes or modifications not expressly approved by the grantee of this device could void the user's authority to operate the equipment. This device complies with Part 15 of the FCC Rules. Operation is subject to the following two conditions: (1) This device may not cause harmful interference, and (2) this device must accept any interference received, including interference that may cause undesired operation.

Warranty

The supplier warrants the fan motor to be free from defects in workmanship and material present at time of shipment from the factory for a life-time after the date of purchase by the original purchaser. The supplier also warrants that all other fan parts, excluding any glass or acrylic blades, to be free from defects in workmanship and material at the time of shipment from the factory for a period of one year after the date of purchase by the original purchaser. We agree to correct such defects without charge or at our option replace with a comparable or superior model if the product is returned. To obtain warranty service, you must present a copy of the receipt as proof of purchase. All costs of removing and reinstalling the product are your responsibility. Damage to any part, such as by accident, misuse, improper installation, or by affixing any accessories, is not covered by this warranty. Because of varying climatic conditions this warranty does not cover any changes in brass finish, including rusting, pitting, corroding, tarnishing, or peeling. Brass finishes of this type give their longest useful life when protected from varying weather conditions. A certain amount of "wobble" is normal and should not be considered a defect. Servicing performed by unauthorized persons shall render the warranty invalid. There is no other express warranty. Hampton Bay hereby disclaims any and all warranties, including but not limited to those of merchantability and fitness for a particular purpose to the extent permitted by law. The duration of any implied warranty which cannot be disclaimed is limited to the time period as specified in the express warranty. Some states do not allow a limitation on how long an implied warranty lasts, so the above limitation may not apply to you. The retailer shall not be liable for incidental, consequential, or special damages arising out of or in connection with product use or performance except as may otherwise be accorded by law. Some states do not allow the exclusion of incidental or consequential damages, so the above exclusion or limitation may not apply to you. This warranty gives specific legal rights, and you may also have other rights which vary from state to state. This warranty supersedes all prior warranties. Shipping costs for any return of product as part of a claim on the warranty must be paid by the customer.

Contact the Customer Service Team at 1-855-HD-HAMPTON or visit www.HamptonBay.com.

Pre-Installation

SPECIFICATIONS

Size	Speed	Volts	Amps	Watts	RPM	CFM	Net Weight	Gross Weight	Cube Feet
52 in.	Low	120	0.22	11	60	1513	19.18 lb (8.7 kg)	21.82 lb (9.9 kg)	1.61 cu.ft.
	Medium		0.37	29	100	2841			
	High		0.57	68	165	4386			



NOTE: These are approximate measures. They do not include the amps and wattage used by the light kit.

TOOLS REQUIRED



Phillips screwdriver



Flat blade screwdriver



Adjustable wrench



Electrical tape



Wire cutter / stripper



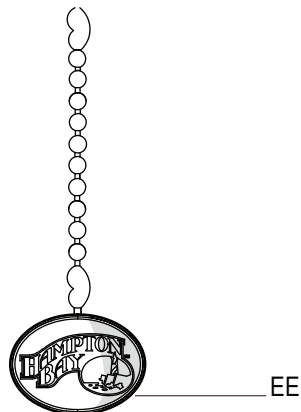
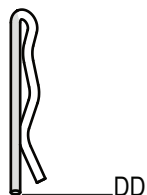
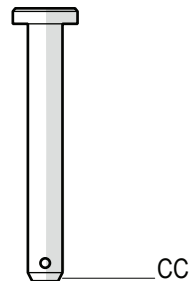
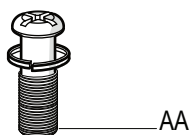
Step ladder

Pre-Installation (continued)

HARDWARE INCLUDED



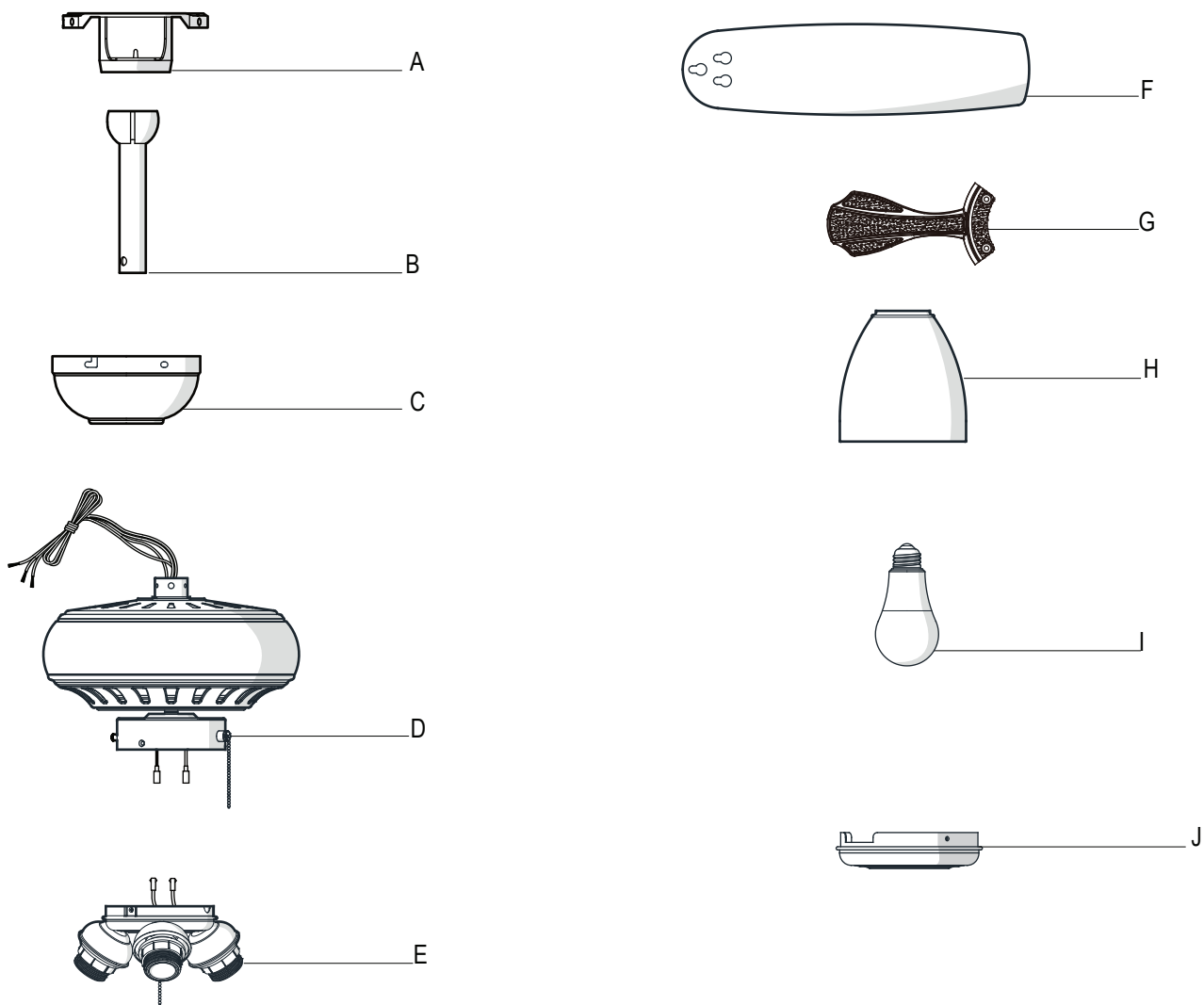
NOTE: Hardware not shown to actual size.



Part	Description	Quantity
AA	Extra blade bracket screw	1
BB	Plastic wire connector	3
CC	Hanger pin	1
DD	Locking pin	1
EE	Pull chain	2

Pre-Installation (continued)

PACKAGE CONTENTS



Part	Description	Quantity
A	Slide-on mounting bracket (inside canopy)	1
B	Ball/downrod assembly	1
C	Canopy	1
D	Fan-motor assembly	1
E	Light kit fitter assembly	1

Part	Description	Quantity
F	Blade	5
G	Blade bracket (with pre-installed screws)	5
H	Glass shade	3
I	LED bulbs (9.5-Watt, Maximum)	3
J	Extra switch cup cover	1



IMPORTANT: This product and/or components are governed by one or more of the following U.S. Patents: 5,947,436; 5,988,580; 6,010,110; 6,046,416, 6,210,117 and other patents pending.

Installation

MOUNTING OPTIONS



WARNING: To reduce the risk of fire, electric shock or personal injury, mount to an outlet box marked "Acceptable for fan support of 35 lbs. (15.9 kg) or less," and use the screws provided with the outlet box. An outlet box commonly used for the support of lighting fixtures may not be acceptable for fan support and may need to be replaced. If in doubt, consult a qualified electrician.

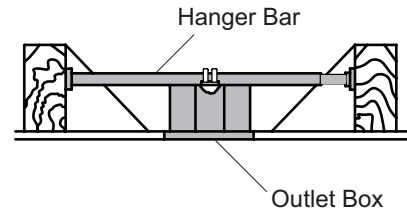
If your ceiling fan does not have an existing UL-listed mounting box, then install one using the following instructions:

- Disconnect the power by removing the fuses or turning off the circuit breakers.
- Secure the outlet box directly to the building structure. Use the appropriate fasteners and materials. The outlet box and its bracing must be able to fully support the weight of the moving fan (at least 35 lbs.). Do not use a plastic outlet box.

The illustrations below show three different ways to mount the outlet box.



NOTE: You may need a longer downrod to maintain proper blade clearance when installing on a steep, sloped ceiling. The maximum angle allowable is 20° away from horizontal.



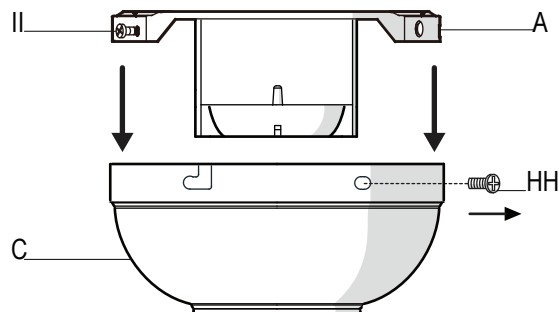
If the canopy (C) touches the ball/downrod assembly (B), then remove the decorative canopy bottom cover and turn the canopy (C) 180° before attaching the canopy (C) to the mounting plate.

To hang your fan where there is an existing fixture but no ceiling joist, you may need an installation hanger bar as shown above (available at any Home Depot store).

Assembly - Standard Ceiling Mount

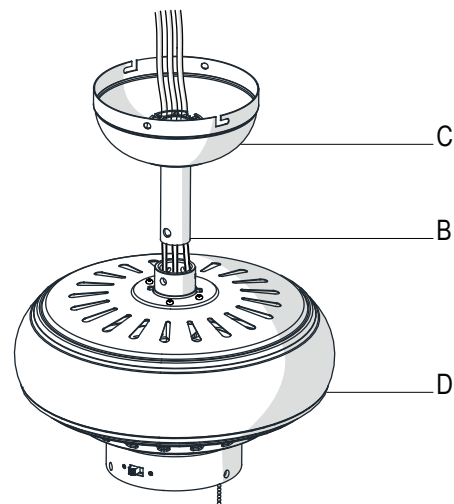
1 Preparing for standard mounting

- Remove the mounting bracket (A) from the canopy (C) by loosening the two canopy screws (II) located in the “L shaped” slots.
- Remove and save the two canopy screws (HH) in the round holes. This will enable you to remove the mounting bracket (A).



2 Routing the wires

- Make sure the slot openings are on top and route the wires exiting the top of the fan-motor assembly (D) through the canopy (C) and then through the ball/down-rod assembly (B).

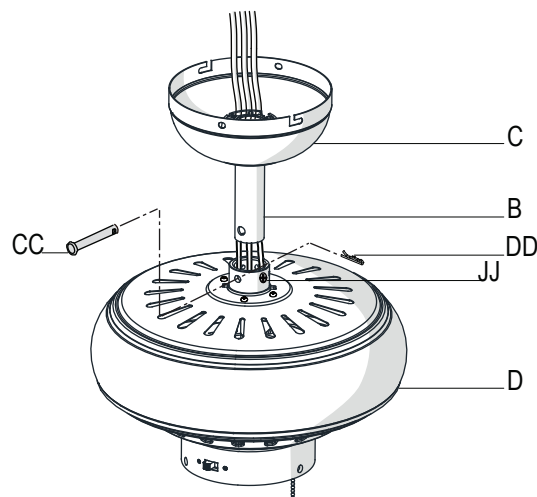


3 Assembling the fan



WARNING: Failure to properly install the locking pin (DD) could result in the fan becoming loose and possibly falling.

- Loosen, but do not remove, the setscrews (JJ) on the collar on top of the fan-motor assembly (D).
- Align the holes at the bottom of the ball/downrod assembly (B) with the holes in the collar on top of the fan-motor assembly (D).
- Carefully insert the hanger pin (CC) through the holes in the collar and ball/downrod assembly (B). Be careful not to jam the hanger pin (CC) against the wiring inside the ball/downrod assembly (B).
- Insert the locking pin (DD) through the hole near the end of the hanger pin (CC) until it snaps into its locked position.
- Re-tighten the setscrews (JJ) on the collar on top of the fan-motor assembly (D).



Assembly - Hanging the Fan

1 Attaching the fan to the electrical box

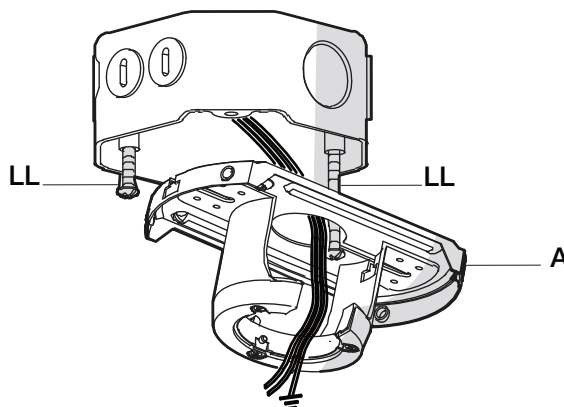


WARNING: To reduce the risk of fire, electric shock or personal injury, mount to an outlet box marked "Acceptable for fan support of 35 lbs. (15.9 kg) or less," and use the screws provided with the outlet box.



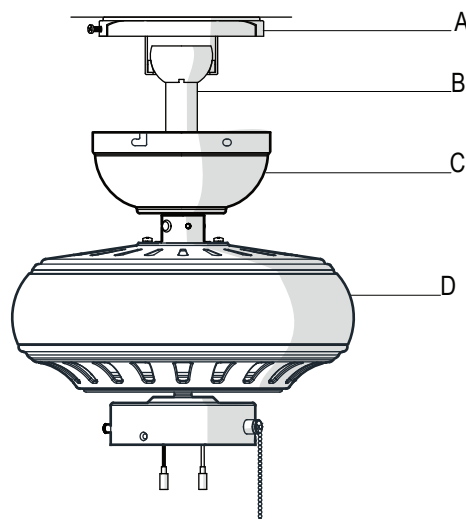
NOTE: The mounting bracket (A) is designed to slide into place on an outlet box with the outlet box screws (LL).

- Pass the 120-Volt supply wires through the center hole in the slide-on mounting bracket (A).
- Install the slide-on mounting bracket (A) on the outlet box by sliding the slide-on mounting bracket (A) over the two screws (LL) provided with the outlet box. If necessary, use leveling washers (not included) between the slide-on mounting bracket (A) and the outlet box. The flat side of the slide-on mounting bracket (A) should face toward the outlet box, as shown.
- Securely tighten the two mounting screws (LL).



2 Hanging the fan

- Carefully lift the fan-motor assembly (D) up to the slide-on mounting bracket (A).
- Insert the ball portion of the ball/downrod assembly (B) into the socket of the slide-on mounting bracket (A).
- Turn the ball/downrod assembly (B) clockwise until it is seated with the tab of the slide-on mounting bracket aligned with the slot in the ball.



Assembly - Hanging the Fan (continued)

3 Making the electrical connections



WARNING: Each wire not supplied with this fan is designed to accept up to one 12-gauge house wire and two wires from the fan. If you have larger than 12-gauge house wiring or more than one house wire to connect to the fan wiring, consult an electrician for the proper size wire nuts to use.



WARNING: Remove the rubber motor stops on the bottom of the fan before installing the blades or testing the motor.



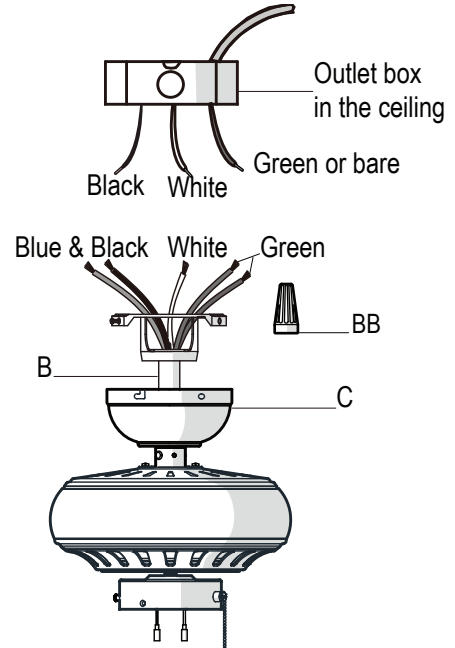
IMPORTANT: Use the plastic wire connectors (BB) supplied with your fan. Secure the connectors with electrical tape and ensure there are no loose strands or connections.



NOTE: The fan comes with 54 in. lead wires for use with an extended ball/downrod assembly. If using the 4.5 in. ball/downrod assembly (B) provided, you can cut the lead wires to your desired length (no shorter than 12 in.).

- The fan comes with 54 in. lead wires for use with an extended ball/downrod assembly. If using the 4.5 in. ball/downrod assembly (B) provided, you can cut the lead wires to your desired length (no shorter than 12 in.) This will make extra room in the canopy (C), if you do not wish to cut the wires, you will need to neatly wrap them.
- Connect the fan motor green wires to the household green or bare wire using a wire connecting nut (BB).

- Connect the fan motor white wire to the household white wire using a wire connecting nut (BB).
- Connect the fan motor black and blue wires to the household black wire using a wire connecting nut (BB).
- Secure each wire connecting nut using electrical tape.
- Turn the wire connecting nut (BB) upward and push the wiring into the outlet box.

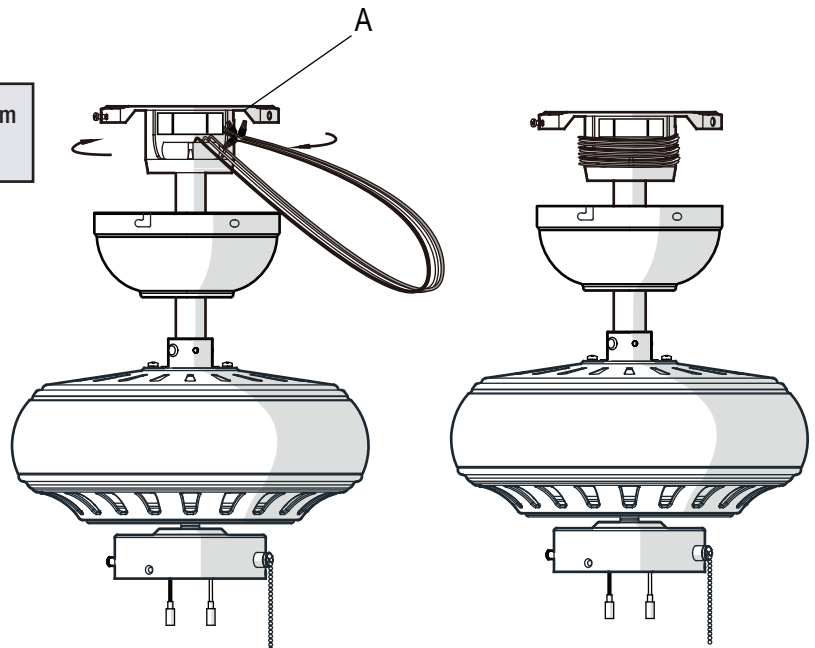


4 Wrapping the extra wire



NOTE: Follow this step ONLY if you did not cut the extra length from the wires coming from the ceiling fan.

- Gently wrap the excess wire around the mounting bracket (A).
- Secure the wires with electrical tape.



Assembly - Hanging the Fan (continued)

5 Mounting the fan-motor assembly (standard mount)

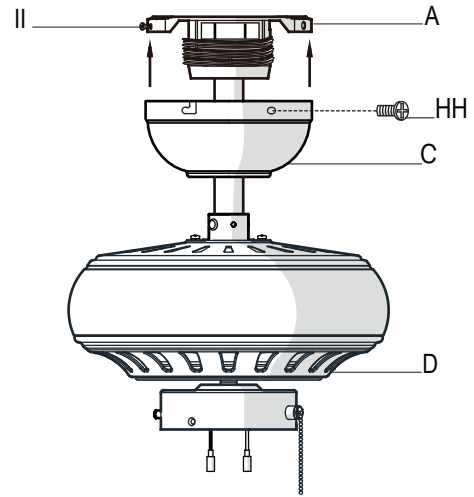


WARNING: When using the standard ball/downrod mounting, the tab in the ring at the bottom of the mounting bracket must rest in the groove of the hanger ball. Failure to properly seat the tab in the groove could cause damage to the wiring.



WARNING: The locking slots of ceiling canopy are provided only as an aid to mounting. Do not leave the fan assembly unattended until all four canopy screws are engaged and firmly tightened.

- Align the locking slots of the canopy (C) with the two screws (II) in the mounting bracket (A). Push up to engage the slots and turn clockwise to lock in place.
- Firmly tighten the two mounting screws (II).
- Install the two canopy screws (HH)(saved from Assembly Step 1 “Preparing for mounting”) into the holes in the canopy (C) and tighten firmly.



Assembly - Attaching the Fan Blades

1 Fastening the blade brackets to the motor



WARNING: Remove the rubber motor stops on the bottom of the fan before installing the blades or testing the motor.

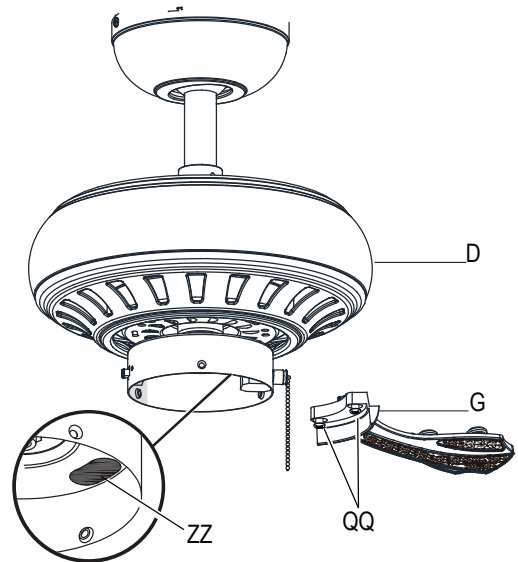


NOTE: Your fan features revolutionary advancements for quick and easy blade installation, including an alignment post and captive blade bracket screws.



IMPORTANT: The switch cup has an access hole (ZZ) to allow the screwdriver to reach the screws in the blade bracket. Position the blade bracket on the motor and tighten by inserting the screwdriver through the access hole (ZZ).

- Fasten the blade brackets (G) to the fan-motor assembly (D) by inserting the alignment post into the slot on the bottom of the motor and tightening the pre-installed blade bracket screws (QQ) by inserting a screw driver through the access hole (ZZ).
- Repeat this step for the remaining blade assemblies by rotating the motor until the next blade bracket screw can be accessed through the access hole (ZZ) in the switch cup.



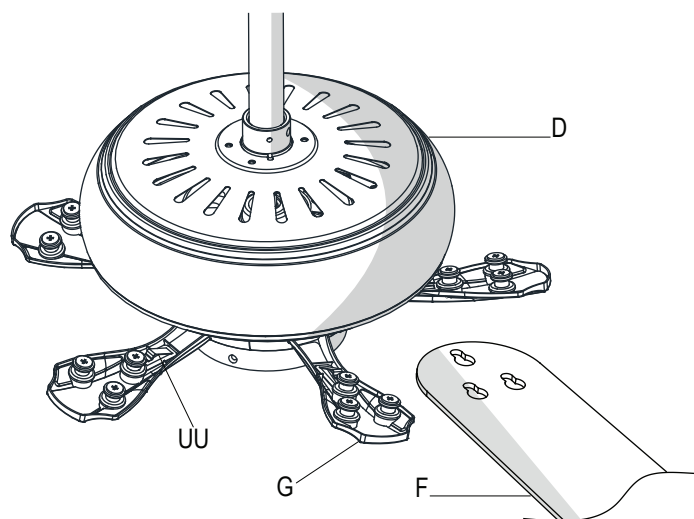
Assembly - Attaching the Fan Blades (continued)

2 Attaching the blades to the blade brackets



NOTE: Your fan blades are reversible. Select the blade side finish which best accentuates your decor.

- Mount the fan blade (F) to the blade bracket (G) by aligning the three key-slot holes in the blade (F) with the three posts on the top of the blade bracket (G).
- Hold the blade (F) with both hands close to the blade bracket (G) and press down firmly. Ensure the key-slot holes are properly seated on the blade bracket (G) posts.
- While still holding the blade (F) down with both hands, slide the blade (F) until it engages in the locking mechanism (UU). Make sure the locking mechanism (UU) at the rear of the blade bracket (G) springs upward and butts against the edge of the blade (F), indicating a secure connection.
- Visually inspect the top of the blade bracket (G) to ensure the locking mechanism is securely in place.
- Repeat this procedure for the remaining blades (F).



Assembly - Attaching the Lights

1 Attaching the light kit fitter assembly

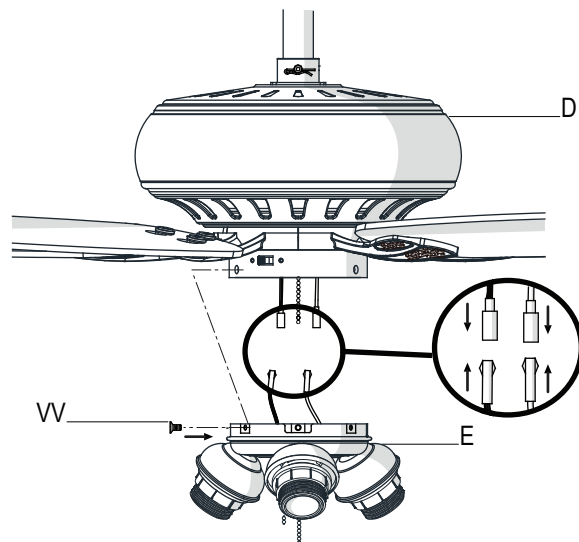


CAUTION: To reduce the risk of electric shock, disconnect the electrical supply circuit to the fan before installing the light fixture.



NOTE: Notice the location of the fan's slide switch. This is the switch used to change the fan's directional rotation. For more information on the operation of this switch, see *Operating Your Fan* on page 13.

- Remove the three screws (VV) on the switch cup cover of the light kit fitter assembly (E).
- Connect the wires from the light kit fitter assembly (E) to the wires from the switch cup of the fan-motor assembly (D) by connecting the molded adaptor plugs together (blue to black, white to white). Carefully tuck all wires and splices into the switch cup.
- Align the three holes in the switch cup cover of the light kit fitter assembly (E) with the three holes in the switch cup of the fan-motor assembly (D). Make sure the notch in the switch cup cover of the light kit fitter assembly (E) clears the reversing switch in the switch cup of the fan-motor assembly (D). Position the light kit fitter assembly (E) and re-install the three screws (VV) that were removed in first step to secure the light kit fitter assembly (E).



Assembly - Attaching the Lights (continued)

2 Installing the bulbs and glass shade

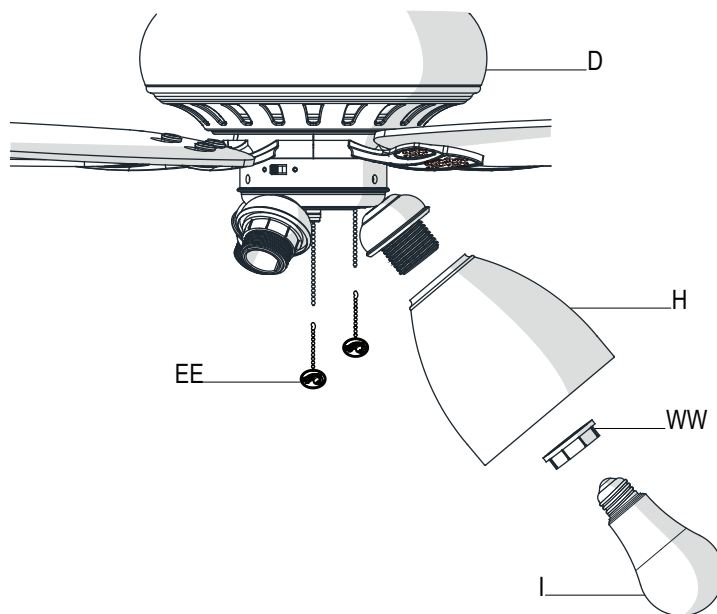


WARNING: Allow the glass shade to cool completely before removing.



CAUTION: Make sure the power is off before attaching or removing the glass shade.

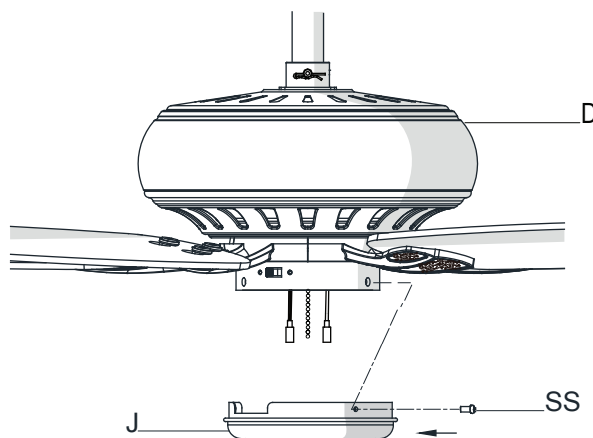
- Remove the compressing ring (WW) from the threaded socket of the light kit by turning the compressing ring counter-clockwise until it unlocks.
- Insert the glass shade (H) into the light kit cowling and turn the compressing ring (WW) clockwise to tighten and secure the glass shade. Repeat for the remaining shades.
- With power off, screw the LED bulbs (I) (9.5W, provided) into the sockets.
- Attach the pull chain extensions (EE) provided to the light pull chain and fan pull chain.



Assembly - Assembling the Fan without the Light Kit

1 Assembling the fan without the light kit

- Remove the three light kit mounting screws (SS) on the side of switch cup cover (J).
- Position the switch cup cover (J) onto the switch cup. Make sure the notch in the switch cup cover (J) clears the reversing switch in the switch cup of the fan-motor assembly (D), and reinstall the light kit mounting screws (SS).



Operation

OPERATING YOUR FAN

Turn on the power and check the operation of the fan. The fan pull chain controls the fan speed as follows:

1 pull - High, 2 pulls - Medium, 3 pulls - Low, 4 pulls - off

The appropriate speed settings for warm or cool weather depends on factors such as the room size, ceiling height, and number of fans.

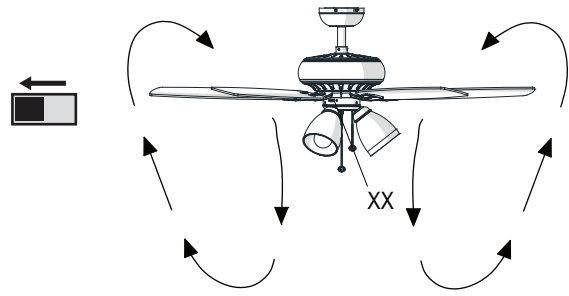
The slide switch (XX) controls the direction of the blades: forward (switch left) or reverse (switch right).

 **NOTE:** Wait for the fan to stop before reversing the direction of the blade rotation.

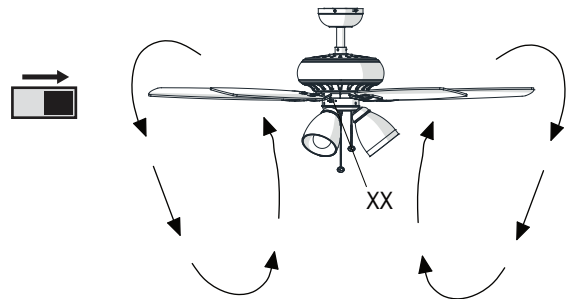
A. Warm weather - (Forward) A downward airflow creates a cooling effect. This allows you to set your air conditioner on a higher setting without affecting your comfort.

B. Cool weather - (Reverse) An upward airflow moves warm air off of the ceiling. This allows you to set your heating unit on a lower setting without affecting your comfort.

A. Warm Weather



B. Cool Weather



Care and Cleaning



WARNING: Make sure the power is off before cleaning your fan.

- Because of the fan's natural movement, some connections may become loose. Check the support connections, brackets, and blade attachments twice a year. Make sure they are secure. It is not necessary to remove the fan from the ceiling.
- Clean your fan periodically to help maintain its new appearance over the years. Do not use water when cleaning, as this could damage the motor or the wood, or possibly cause an electrical shock. Use only a soft brush or lint-free cloth to avoid scratching the finish. The plating is sealed with a lacquer to minimize discoloration or tarnishing.
- You can apply a light coat of furniture polish to the wood for additional protection and enhanced beauty. Cover small scratches with a light application of shoe polish.
- You do not need to oil your fan. The motor has permanently-lubricated sealed ball bearings.

Troubleshooting

Problem	Solution
The fan will not start.	<ul style="list-style-type: none">□ Check the main and branch circuit fuses or breakers.□ Check the line wire connections to the fan and switch wire connections in the switch housing.
The fan is noisy.	<ul style="list-style-type: none">□ Ensure all motor housing screws are snug.□ Ensure the screws that attach the fan blade bracket to the motor hub are tight.□ Ensure the wire nut connections are not rattling against each other or the interior wall of the switch housing.□ Allow a 24-hour "breaking in" period. Most noises associated with a new fan disappear during this time.□ If you are using the Ceiling Fan light kit, ensure the screws securing the glassware are tight. Check that the light bulbs are also secure.□ Ensure the canopy is a short distance from the ceiling. It should not touch the ceiling.□ Ensure your outlet box is secure and rubber isolator pads were used between the mounting plate and outlet box.
The fan wobbles.	<ul style="list-style-type: none">□ Check that all blade and blade arm screws are secure.□ Most fan wobble problems are caused when blade levels are unequal. Check this level by selecting a point on the ceiling above the tip of one of the blades. Measure from a point on the center of each blade to the point on the ceiling. Measure this distance. Rotate the fan until the next blade is positioned for measurement. Repeat for each blade. Any measurement deviation should be within 1/8 in. Run the fan for ten minutes. If the fan continues to wobble please contact Customer Service and a balancing kit will be sent to you at no charge.



Questions, problems, missing parts? Before returning to the store,
call Hampton Bay Customer Service
8 a.m. - 7 p.m., EST, Monday - Friday, 9 a.m. - 6 p.m., EST, Saturday

1-855-HD-HAMPTON

HAMPTONBAY.COM

Retain this manual for future use.



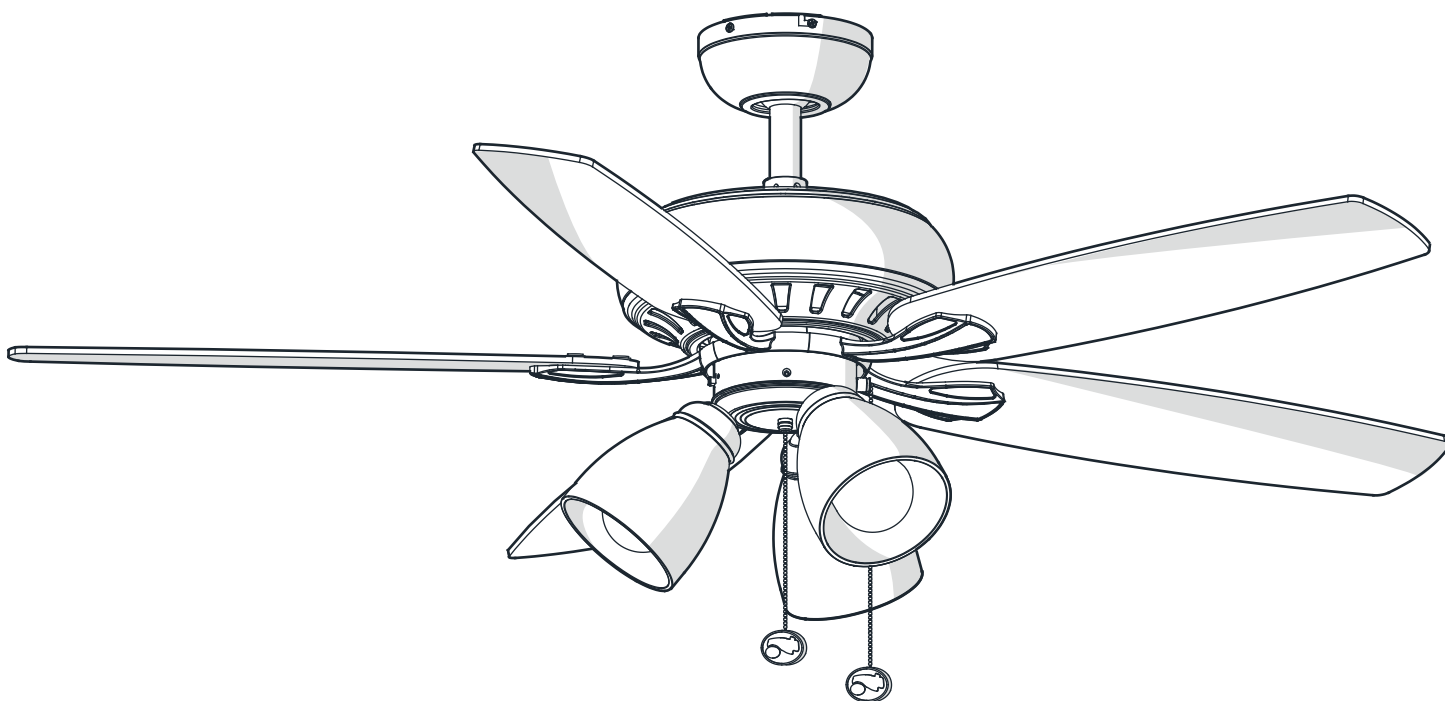
Artículo núm. XXX XXX XXX, XXXX XXX XXX,
XXXX XXXX XXX, XXXX XXX XXX

Modelo núm. 91850, 91851,
91852, 91854

Modelo núm. 52-RPT Aprobado por UL

GUÍA DE USO Y MANTENIMIENTO

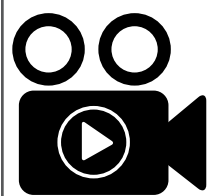
VENTILADOR DE TECHO ROCKPORT DE 1.32 M



¿Preguntas, problemas o piezas faltantes? Antes de devolver a la tienda, llama al servicio al cliente de Hampton Bay, de lunes a viernes de 8:00 a.m. a 7:00 p.m., Hora Estándar del Este, y los sábados de 9:00 a.m. a 6:00 p.m., Hora Estándar del Este.

1-855-HD-HAMPTON

HAMPTONBAY.COM



Para ver un video instructivo sobre cómo instalar este producto:

1. Ir a www.homedepot.com e introduzca el artículo o el número de modelo, que se encuentra en la part superior esquina derecha de la portada de este manual de instrucciones, en el campo de búsqueda.
2. Haga clic en su producto de la lista de resultados de búsqueda y hacer clic en el enlace del video en el la sección "Descripción del producto".

GRACIAS POR TU COMPRA

Apreciamos la confianza que has depositado en Hampton Bay al comprar este ventilador de techo.

Nos esforzamos para continuamente crear productos de calidad diseñados para mejorar tu hogar. Visítanos por Internet para ver nuestra línea completa de productos disponibles para las necesidades de mejoras de tu hogar.

¡Gracias por elegir Hampton Bay!

Tabla de contenido

Tabla de contenido.....	2	Ensamblaje.....	7
Información de seguridad.....	2	Funcionamiento.....	13
Garantía.....	3	Mantenimiento y limpieza.....	14
Pre-instalación.....	3	Solución de problemas.....	14
Instalación.....	6		

Información de seguridad

LEE Y GUARDA ESTAS INSTRUCCIONES

1. Para disminuir el riesgo de descarga eléctrica, asegúrate de cortar la electricidad del cortacircuitos o la caja de fusibles antes de comenzar.
2. Todo el cableado tiene que cumplir con el Código Nacional de Electricidad ANSI/NFPA 70 y los códigos locales de electricidad. La instalación eléctrica debe hacerse por un electricista certificado y calificado.
3. La caja eléctrica y estructura de soporte tienen que montarse de forma segura y contar con capacidad de soporte confiable de 15.9 kg. Usa solamente cajas eléctricas marcadas como aprobadas por UL "para sostener ventiladores de 35 lb (15.9 kg) o menos".
4. El ventilador tiene que montarse con separación mínima de 2.13 m entre el borde trasero de las aspas y el piso.
5. No muevas el interruptor de reversa mientras las aspas del ventilador estén en movimiento. Tienes que apagar el ventilador y esperar a que se detengan las aspas antes de ponerlas a girar en sentido contrario.
6. No coloques objetos en la trayectoria de las aspas.
7. Para evitar lesiones físicas o daños al ventilador y otros artículos, ten cuidado al limpiarlo o al trabajar cerca de él.
8. Los diagramas eléctricos son sólo para referencia. Los kits de luces no empaquetados con el ventilador tienen que estar aprobados por UL y marcados como apropiados para usar con el modelo de ventilador que estás instalando. Los interruptores tienen que estar clasificados por UL como de uso general. Consulta las instrucciones adjuntas a los kits de luces e interruptores para ensamblaje adecuado.
9. Después de concluir las conexiones eléctricas, debes voltear los conductores empalmados hacia arriba y meterlos con cuidado en la caja eléctrica. Los cables deben estar separados con el cable a tierra y el conductor a tierra del equipo a un lado de la caja eléctrica.
10. Todos los tornillos de fijación tienen que comprobarse y reajustarse donde sea necesario antes de la instalación.



ADVERTENCIA: Para reducir el riesgo de lesiones personales, no dobles los soportes de las aspas (también llamados "bridas") durante el ensamblaje ni después de la instalación. No coloques objetos en la trayectoria de las aspas.



ADVERTENCIA: Quita los tapones de goma del motor en la parte inferior del ventilador antes de instalar las aspas o verificar el motor.



ADVERTENCIA: Al efecto de disminuir el riesgo de incendio o descarga eléctrica, no utilices este ventilador con ningún dispositivo de estado sólido para control de velocidad.



ADVERTENCIA: Para evitar una posible descarga eléctrica, corta la energía eléctrica en la caja principal de fusibles antes de instalar el cableado. Si crees que no tienes suficiente experiencia o conocimientos sobre cableado eléctrico, contrata a un electricista certificado.



ADVERTENCIA: Los diagramas eléctricos son sólo para referencia. Cualquier kit de luces opcional deberá estar aprobado por UL y marcado como adecuado para usar con este ventilador.



ADVERTENCIA: Para reducir el riesgo de incendio, descarga eléctrica o lesiones personales, instala en una caja eléctrica clasificada como "apropiada para sostener ventiladores de 35 lb (15.9 kg) o menos" y usa los tornillos que vienen con ella.

Este equipo ha sido comprobado y se determinó que cumple con los límites establecidos para un dispositivo digital Clase B, de acuerdo con la Parte 15 de las Normas de la FCC. Estos límites fueron establecidos para ofrecer protección razonable contra la interferencia dañina durante uso residencial. Este equipo genera, usa y puede irradiar energía de radiofrecuencia; si no se instala y usa de acuerdo con las instrucciones, puede causar interferencia dañina a comunicaciones radiales. Sin embargo, no hay garantía de que no ocurrirá interferencia en una instalación particular. Si este equipo causa interferencia que perjudica la recepción de radio o televisión, lo cual puede determinarse encendiendo y apagando el equipo, se recomienda al usuario que trate de corregir la interferencia con una o más de las siguientes medidas:

- Reorientar o reubicar la antena receptora.
- Incrementar la distancia entre los equipos y el receptor.
- Conectar el equipo a un tomacorriente en un circuito distinto al que el receptor está conectado.
- Consultar al distribuidor o algún técnico de radio/TV con experiencia.

PRECAUCIÓN:

Los cambios o modificaciones sin aprobación expresa del responsable de este dispositivo podrían anular el derecho del usuario a operar el equipo. Este dispositivo cumple con la Parte 15 de las Normas de FCC. Su operación está sujeta a las dos condiciones siguientes: (1) Este dispositivo no debe causar interferencia dañina, y (2) tiene que aceptar cualquier interferencia recibida, incluyendo aquella que pudiera afectar su funcionamiento.

Garantía

El proveedor garantiza de por vida, a partir de la fecha de adquisición por el comprador original, que el motor del ventilador no presenta defectos de fabricación ni de materiales al momento del envío desde la fábrica. El proveedor también garantiza, por un año a partir de la fecha de adquisición por el comprador original, que ninguna de las demás piezas del ventilador, sin incluir las aspas de vidrio o acrílico, presenta defectos de fabricación o de material al momento del envío desde la fábrica. Estamos de acuerdo en reparar todos los defectos del tipo antes mencionado sin cargo alguno o, a nuestra discreción, reemplazar el producto por un modelo de igual o superior calidad, si el producto es devuelto. Para obtener servicio de garantía tiene que presentarse una copia del recibo como comprobante de compra. Todos los costos de desmontaje y reinstalación del producto son responsabilidad suya. Los daños a cualquiera de las piezas como resultado de accidentes, uso inadecuado, instalación incorrecta o instalación de cualquier accesorio, no están cubiertos por esta garantía. Debido a las condiciones climáticas cambiantes, esta garantía no cubre ningún cambio en el acabado en bronce, incluyendo óxido, perforación, corrosión, manchas o descascaramiento. Este tipo de acabados en latón brinda la vida útil más larga al proteger contra condiciones climáticas cambiantes. Cierta "oscilación" es normal y no debe considerarse un defecto. Cualquier servicio prestado por personal no autorizado invalidará la garantía. No hay ninguna otra garantía expresa. Por este medio, Hampton Bay queda exonerado de todas y cada una de las garantías, incluyendo, pero sin limitarse a, aquellas de comercialización e idoneidad para un fin particular en el alcance fijado por la ley. La duración de cualquier garantía implícita sin posibilidad de exención está limitada al plazo especificado en la garantía explícita. Algunos estados no permiten limitar la duración de la garantía, así que la limitación anterior pudiera no aplicarse a su caso. El minorista no será responsable por daños directos, indirectos ni especiales que resulten o deriven del uso o funcionamiento del producto, excepto en los casos estipulados por la ley. Algunos estados no permiten excluir ni limitar daños directos o indirectos, así que la limitación o exclusión anterior pudiera no aplicarse a su caso. Esta garantía otorga derechos legales específicos y es posible que usted tenga también otros derechos, que varían de un estado a otro. Esta garantía sustituye todas las garantías anteriores. Los costos de envío de cualquier devolución de productos como parte de reclamación de garantía tienen que pagarse por el cliente.

Comuníquese con el equipo de servicio al cliente por el teléfono 1-855-HD-HAMPTON o visite www.HamptonBay.com.

Preinstalación

ESPECIFICACIONES

Tamaño	Velocidad	Voltios	Amperes	Watts	RPM	CFM	Peso neto	Peso bruto	Pies cúbicos
1.3 m	Baja	120	0.22	11	60	1513	19.18 lb (8.7 kg)	21.82 lb (9.9 kg)	1.61 pies ³
	Media		0.37	29	100	2841			
	Alta		0.57	68	165	4386			



NOTA: Estas medidas son aproximadas. No incluyen ni el amperaje ni el vataje consumido por el kit de luces.

HERRAMIENTAS NECESARIAS



Destornillador
Phillips



Destornillador
plano



Llave
ajustable



Cinta de
electricista



Cortacables /
pelacables



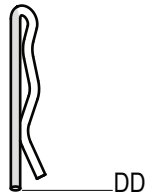
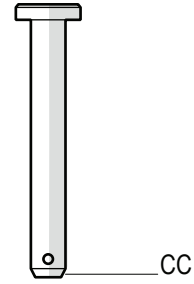
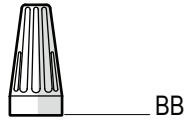
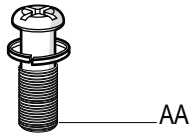
Escalera de tijera

Pre-instalación (continuación)

SE INCLUYEN HERRAJES

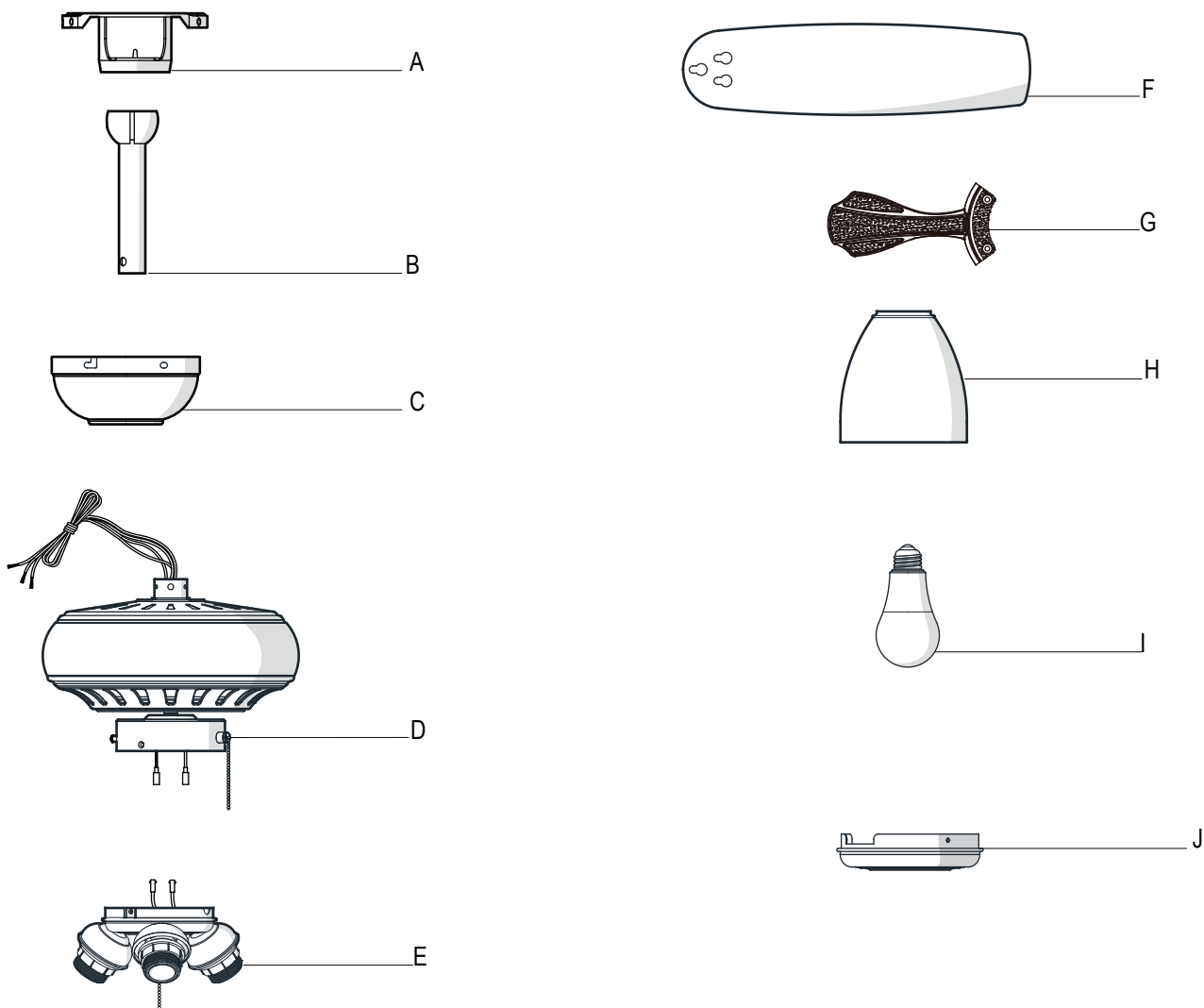


NOTA: Los herrajes no se muestran en tamaño real.



Pieza	Descripción	Cantidad
AA	Tornillo adicional para soporte de aspas	1
BB	Conector plástico para cables	3
CC	Pasador de soporte	1
DD	Pasador de cierre	1
EE	Cadena para halar	2

CONTENIDO DEL PAQUETE



Pieza	Descripción	Cantidad
A	Soporte de montaje deslizante (dentro de la cubierta)	1
B	Ensamblaje de tubo bajante/bola	1
C	Cubierta	1
D	Ensamblaje motor-ventilador	1
E	Ensamblaje del soporte del kit de luces	1

Pieza	Descripción	Cantidad
F	Aspa	5
G	Soporte de aspa (con tornillos preinstalados)	5
H	Pantalla de vidrio	3
I	Bombillas LED (de 9.5W como máximo)	3
J	Caja del interruptor adicional	1



IMPORTANTE: Este producto o sus componentes están protegidos por una o más de las siguientes patentes de los EE. UU.: 5,947,436; 5,988,580; 6,010,110; 6,046,416, 6,210,117, así como por otras patentes pendientes.

OPCIONES DE MONTAJE

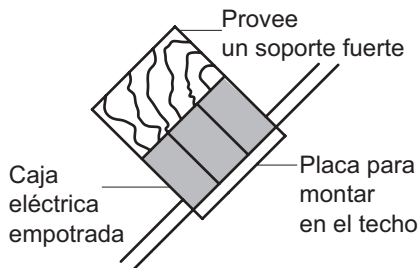
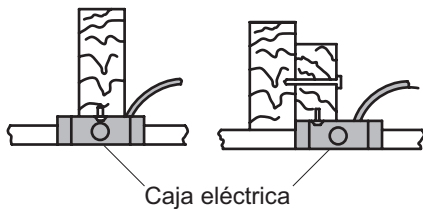
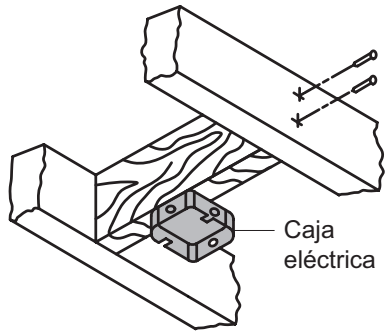


ADVERTENCIA: Para reducir el riesgo de incendio, descarga eléctrica o lesiones personales, instala en una caja eléctrica clasificada como “apropiada para sostener ventiladores de 35 lb (15.9 kg) o menos” y usa tornillos de montaje que vienen con ella. Las cajas eléctricas utilizadas comúnmente para el soporte de lámparas pueden no servir como soporte de ventilador y tal vez deban reemplazarse. En caso de duda, consulta a un electricista calificado.

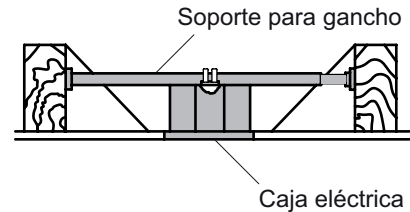
Si tu ventilador de techo no tiene una caja de montaje aprobada por UL, instala una siguiendo las instrucciones a continuación:

- ❑ Desconecta la energía retirando los fusibles o apagando los cortacircuitos.
- ❑ Asegura la caja eléctrica directamente a la estructura de la edificación. Usa sujetadores y materiales apropiados. La caja eléctrica y su soporte tienen que ser aptos para sostener el peso completo del ventilador en movimiento (al menos 15.9 kg). No uses una caja eléctrica de plástico.

Las ilustraciones a continuación muestran tres formas distintas de montar la caja eléctrica.



NOTA: Tal vez necesites un tubo bajante más largo para mantener la altura mínima adecuada de las aspas, al instalar el ventilador en un techo inclinado. El ángulo máximo permitido es de 20° desde la horizontal.



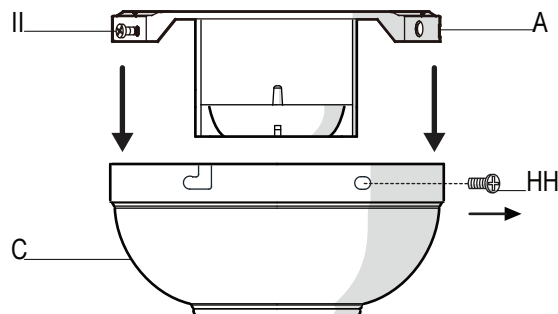
Si la cubierta (C) toca el conjunto del tubo bajante/bola (B), retira la tapa inferior decorativa de la cubierta y gira 180° esta última (C) antes de fijarla a la placa de montaje.

Para colgar el ventilador donde ya hay una lámpara, pero ninguna viga de techo, tal vez necesites una barra de instalación colgante como se muestra arriba (disponible en cualquier tienda de The Home Depot).

Ensamblaje - Montaje estándar de techo

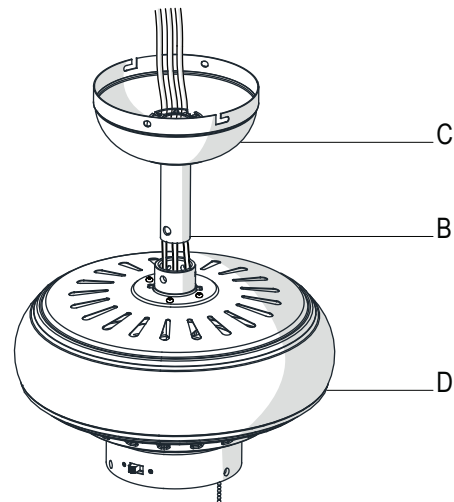
1 Preparación para montaje estándar

- Retira el soporte de montaje (A) de la cubierta (C) aflojando los dos tornillos de la cubierta (II) ubicados en las ranuras en forma de "L".
- Quita y guarda los dos tornillos de la cubierta (HH) en los orificios redondos. Esto te permitirá retirar el soporte de montaje (A).



2 Disposición de los cables

- Asegúrate de que las ranuras estén en la parte superior y pasa los cables existentes sobre la parte superior del ensamblaje del motor del ventilador (D) a través de la cubierta (C) y luego a través del ensamblaje del tubo bajante/bola (B).

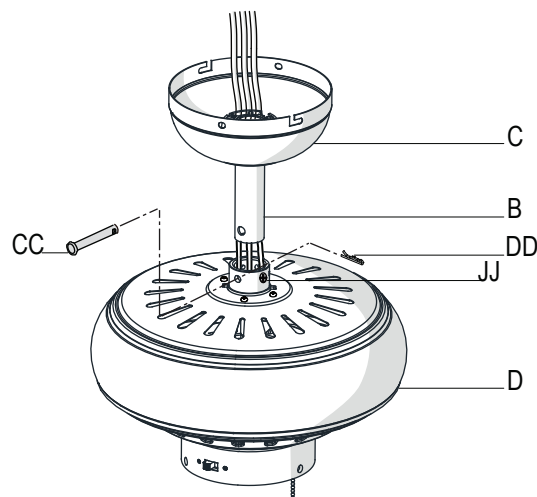


3 Cómo ensamblar el ventilador



ADVERTENCIA: Si el pasador de cierre (DD) no se instala correctamente, es posible que el ventilador se afloje y caiga.

- Afloja, sin quitar, los tornillos de fijación (JJ) del collarín ubicados en la parte superior del ensamblaje del motor del ventilador (D).
- Alinea los orificios en la parte inferior del ensamblaje del tubo bajante/bola (B) con los orificios en el collarín de la parte superior del ensamblaje del motor del ventilador (D).
- Inserta con cuidado el pasador de soporte (CC) a través de los orificios del collarín y del ensamblaje del tubo bajante/bola (B). Ten cuidado de no forzar el pasador de soporte (CC) contra el cableado dentro del ensamblaje del tubo bajante/bola (B).
- Inserta el pasador de cierre (DD) en el orificio cercano al extremo del pasador de soporte (CC) hasta que quede encajado en su posición.
- Vuelve a apretar los tornillos (JJ) del collarín ubicados en la parte superior del ensamblaje del motor del ventilador (D).



Ensamblaje - Cómo colgar el ventilador

1 Cómo fijar el ventilador a la caja eléctrica

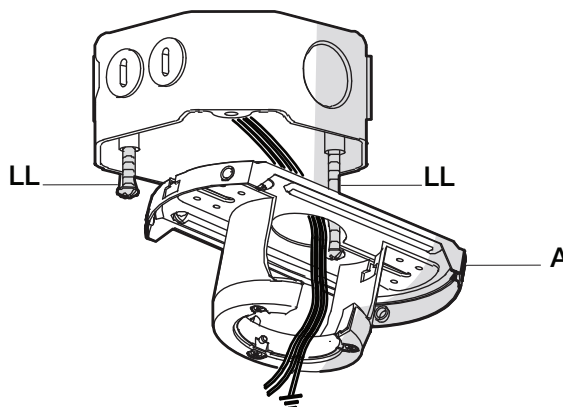


ADVERTENCIA: Para reducir el riesgo de incendio, descarga eléctrica o lesiones personales, instala en una caja eléctrica clasificada como "apropiada para sostener ventiladores de 35 lb (15.9 kg) o menos" y usa los tornillos que vienen con ella.



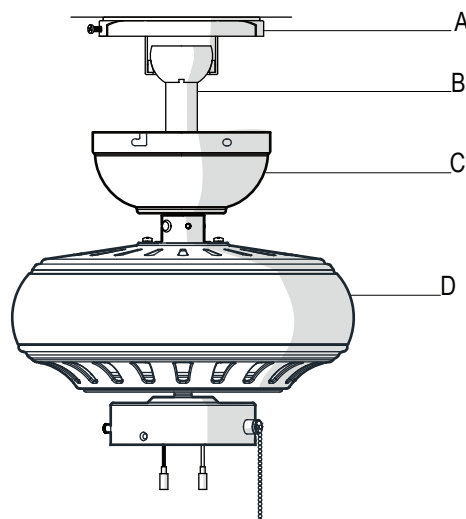
NOTA: El soporte de montaje (A) está diseñado para deslizarse en su lugar sobre una caja eléctrica con sus tornillos (LL).

- Pasa los cables de suministro de 120 V a través del orificio central en el soporte de montaje deslizante (A).
- Instala el soporte de montaje deslizante (A) sobre la caja eléctrica deslizando el soporte de montaje (A) sobre los dos tornillos (LL) suministrados con la caja eléctrica. Si es necesario, usa arandelas niveladoras (no se incluyen) entre el soporte de montaje deslizante (A) y la caja eléctrica. El lado plano del soporte de montaje deslizante (A) debe estar hacia la caja eléctrica, como se muestra.
- Ajusta firmemente los dos tornillos de montaje (LL).



2 Cómo colgar el ventilador

- Con cuidado alza el ensamblaje del motor del ventilador (D) hasta el soporte de montaje deslizante (A).
- Inserta la bola de soporte del ensamblaje del tubo bajante/bola (B) en el casquillo del soporte de montaje deslizante (A).
- Gira el ensamblaje del tubo bajante/bola (B) en el sentido de las manecillas del reloj hasta que quede encajado, con la pestaña del soporte de montaje deslizante alineada con la ranura de la bola.



Ensamblaje - Cómo colgar el ventilador (continuación)

3 Cómo hacer las conexiones eléctricas



ADVERTENCIA: Cada cable no suministrado con este ventilador está diseñado para aceptar hasta un cable eléctrico doméstico calibre 12 y dos cables del ventilador. Si tienes cableado doméstico de calibre mayor que 12 o más de un cable doméstico para conectar al cableado del ventilador, consulta a un electricista para el tamaño apropiado de las tuercas que deben usarse con los cables.



ADVERTENCIA: Quita los tapones de goma del motor, en la parte inferior del ventilador, antes de instalar las aspas o comprobar el motor.



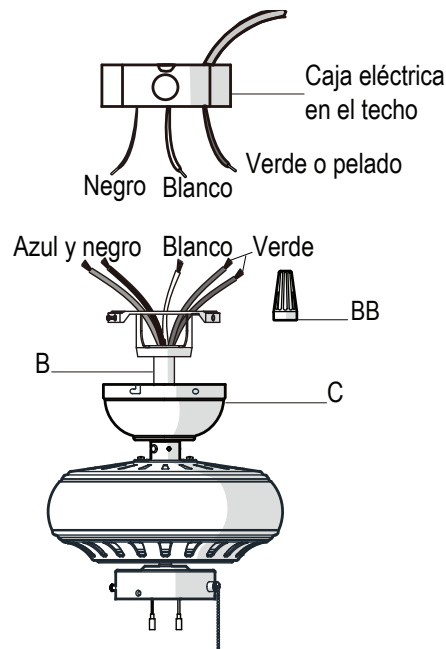
IMPORTANTE: Usa los conectores de cables plásticos (BB) incluidos con tu ventilador. Sujeta los conectores con cinta de electricista y asegúra que no haya conexiones ni cables sueltos.



NOTA: El ventilador viene con cables terminales de 1.37 m para usar con un ensamblaje extendido de tubo bajante/bola. Si usas el ensamblaje extendido de tubo bajante/bola (B) de 11.4 cm incluido, puedes recortar los cables terminales al largo deseado (no menos de 30.5 cm).

- El ventilador viene con cables terminales de 1.37 m para uso con un ensamblaje extendido de tubo bajante/bola. Si usas el ensamblaje extendido de tubo bajante/bola (B) de 4.5 plg incluido, puedes recortar los cables terminales al largo deseado (no menos de 12 plg). Esto dejará más espacio en la cubierta (C). Si no quieres cortar los cables, deberás enrollarlos cuidadosamente.

- Conecta los cables verdes del motor del ventilador a los cables verde o pelado del hogar usando una tuerca de conexión de cables (BB).
- Conecta el cable blanco del motor del ventilador al cable blanco del hogar usando una tuerca de conexión de cables (BB).
- Conecta los cables negro o azul del motor del ventilador al cable negro del hogar usando una tuerca de conexión de cables (BB).
- Asegura cada tuerca de conexión de cables con cinta de electricista.
- Gira la tuerca de conexión de cables (BB) hacia arriba y coloca el cableado dentro de la caja eléctrica.

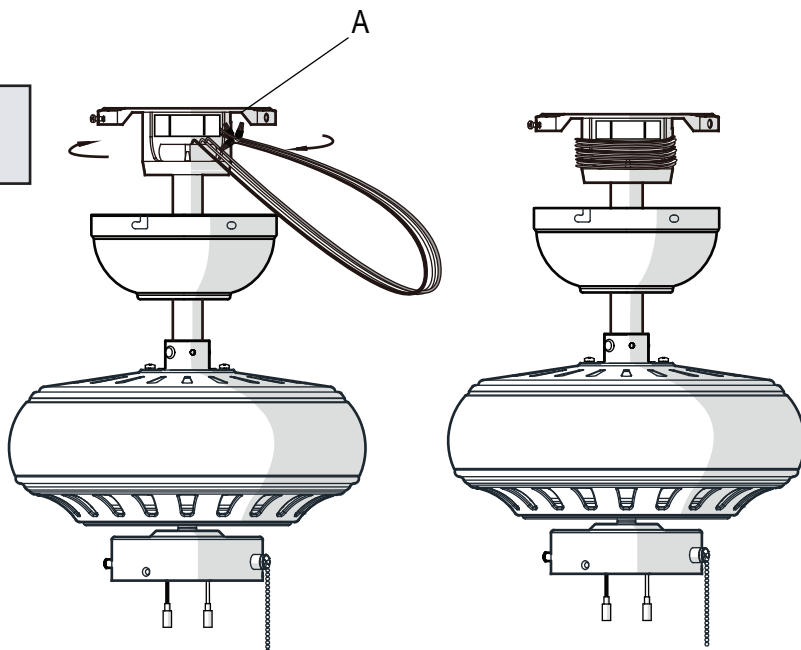


4 Cómo enrollar el cable sobrante



NOTA: Sigue estos pasos SOLO si no cortaste el cable sobrante del ventilador de techo.

- Con cuidado, enrolla el exceso de cable alrededor del soporte de montaje (A).
- Asegura los cables con cinta de electricista.



Ensamblaje - Cómo colgar el ventilador (continuación)

5 Cómo montar el conjunto del motor del ventilador (montaje estándar)

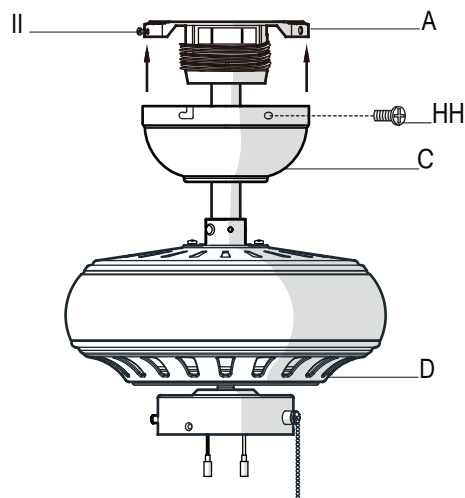


ADVERTENCIA: Cuando uses el montaje estándar del tubo bajante/bola, la pestaña en el aro en la parte inferior del soporte de montaje tiene que encajar en la ranura de la bola de soporte. Si la pestaña no se asienta correctamente en la ranura, se puede dañar el cableado.



ADVERTENCIA: Las ranuras de cierre de la cubierta del techo sólo sirven de ayuda para la instalación. No dejes desatendido el ensamblaje del ventilador hasta que los cuatro tornillos de la cubierta estén colocados y firmemente apretados.

- Alinea las ranuras de cierre de la cubierta (C) con los dos tornillos (II) del soporte de montaje (A). Alza para enganchar las ranuras y gira hacia la derecha para asegurarlas en su sitio.
- Ajusta bien los dos tornillos de montaje (II).
- Instala los dos tornillos de la cubierta (HH) (guardados en el paso 1: "Cómo preparar la instalación") en los orificios de la cubierta (C) y apriétalos firmemente.



Ensamblaje - Cómo fijar las aspas del ventilador

1 Cómo fijar los soportes de las aspas al motor



ADVERTENCIA: Quita los tapones de goma del motor, en la parte inferior del ventilador, antes de instalar las aspas o comprobar el motor.

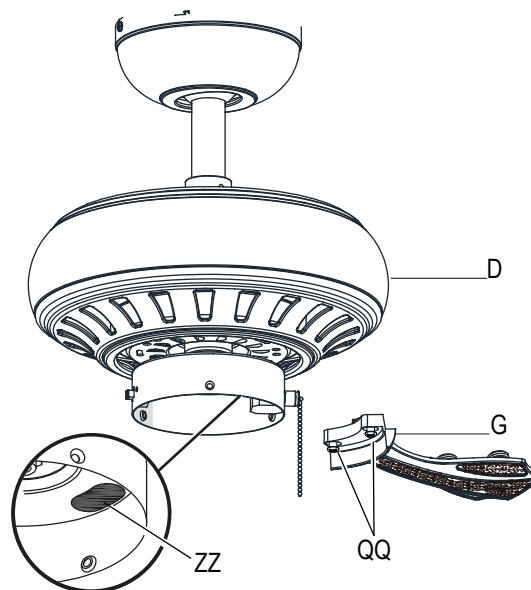


NOTA: Tu ventilador cuenta con avances novedosos para facilitar y acelerar la instalación de las aspas, incluyendo un poste de alineación y tornillos fijos para el soporte de las aspas.



IMPORTANTE: La caja del interruptor tiene un hueco de acceso (ZZ) para dejar que el destornillador alcance el tornillo adentro de el soporte de la aspa. Coloque el soporte en el motor y apriete insertando el destornillador en el hueco de acceso (ZZ).

- Apriete los soportes de aspa (G) a el montaje de el motor (D) insertando el poste de alineación en el espacio en la parte inferior de el motor y apriete los tornillos pre-instalados de el soporte (QQ) insertando un destornillador en el hueco de acceso (ZZ).
- Repite los pasos para las aspas que faltan girando el motor hasta que el proximo tornillo se puede pasar por el hueco de acceso (ZZ) en la caja del interruptor .



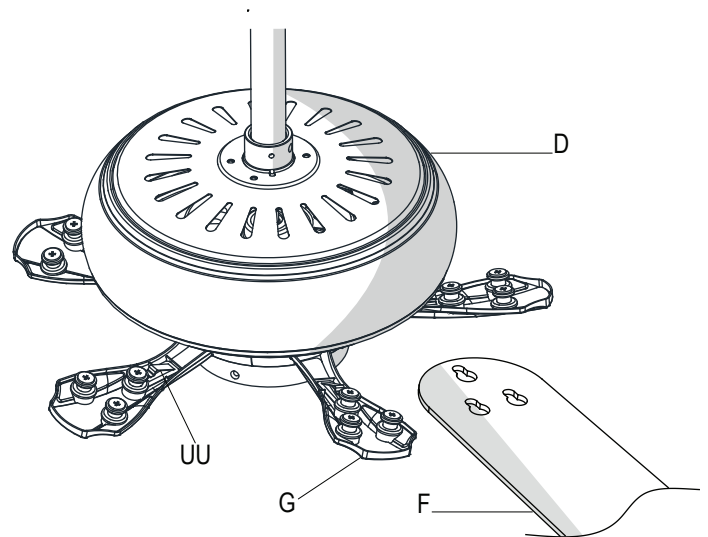
Ensamblaje - Cómo fijar las aspas del ventilador (continuación)

2 Cómo conectar las aspas a sus soportes



NOTA: Las aspas de tu ventilador son reversibles. Elige el acabado del aspa por el lado que mejor resalte tu decoración.

- Monta las aspas del ventilador (F) al soporte del aspa (G) alineando los tres orificios tipo ojo de cerradura en el aspa (F) con los tres postes de la parte superior de los soportes de las aspas (G).
- Sostén el aspa (F) con ambas manos cerca del soporte del aspa (G) y presiona hacia abajo con firmeza. Asegúrate de que los orificios tipo ojo de cerradura estén correctamente apoyados sobre los postes del soporte del aspa (G).
- Mientras sujetas el aspa (F) con ambas manos, desliza el aspa (F) con firmeza hasta se acople al mecanismo de cierre (UU). Asegúrate de que el mecanismo de cierre (UU) en la parte posterior del soporte del aspa (G) se eleve y haga tope contra el borde del aspa (F), lo que indicará una conexión segura.
- Revisa la parte superior del soporte del aspa (G) para garantizar que el mecanismo de cierre esté asegurado en su lugar.
- Repite este procedimiento para las aspas restantes (F).



Ensamblaje - Cómo instalar las lámparas

1 Cómo instalar el ensamblaje del soporte del kit de luces

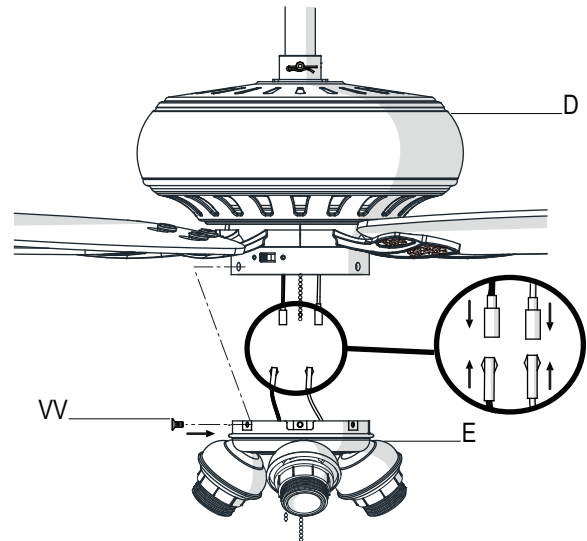


PRECAUCIÓN: Para reducir el riesgo de descarga eléctrica, desconecta el circuito eléctrico del ventilador antes de instalar la lámpara.



NOTA: Marca la posición del interruptor deslizante del ventilador. Este es el interruptor utilizado para cambiar la dirección de rotación del ventilador. Para más información sobre la operación del interruptor, consulta *Cómo usar el ventilador* en la página 13.

- Quita los tres tornillos (VV) en la cubierta de la caja del interruptor del ensamblaje del soporte del kit de luces (E).
- Conecta los cables del ensamblaje del soporte del kit de luces (E) a los cables de la caja del interruptor del ensamblaje del motor del ventilador (D), usando los enchufes con adaptadores moldeados (azul con negro, blanco con blanco). Coloca con cuidado todos los cables y empalmes dentro de la caja del interruptor.
- Alinea los tres orificios de la cubierta de la caja del interruptor en el conjunto del soporte del kit de luces (E) con los tres orificios de la caja del interruptor en el conjunto del motor del ventilador (D). Asegúrate de que la muesca en la cubierta de la caja del interruptor del soporte del kit de luces (E) permita que el interruptor de reversa en la caja del interruptor del ensamblaje del motor del ventilador (D) se mueva libremente. Coloca el ensamblaje del soporte del kit de luces (E) y vuelve a colocar los tres tornillos (VV) que fueron retirados en el primer paso para asegurar el ensamblaje del soporte del kit de luces (E).



Ensamblaje - Cómo instalar las lámparas (continuación)

2 Cómo instalar las bombillas y la pantalla de vidrio

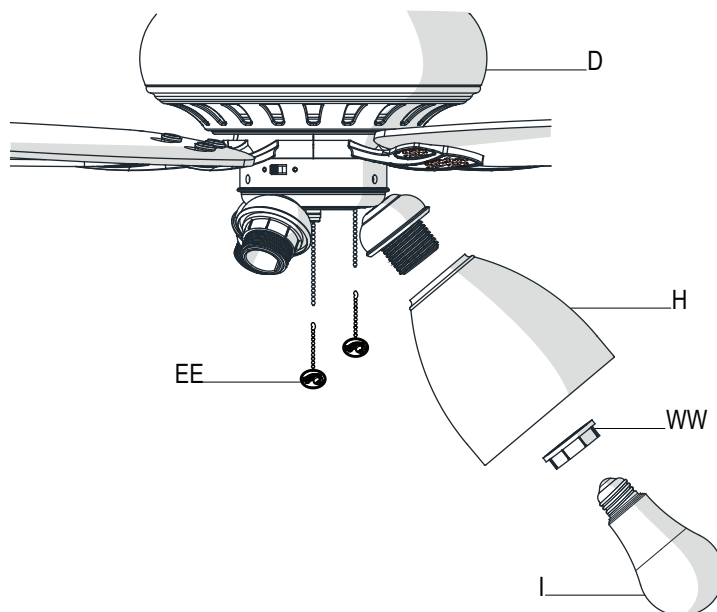


ADVERTENCIA: Espera que la pantalla de vidrio se enfríe por completo antes de retirarla.



PRECAUCIÓN: Asegúrate de que la corriente esté cortada antes de montar o retirar la pantalla de vidrio.

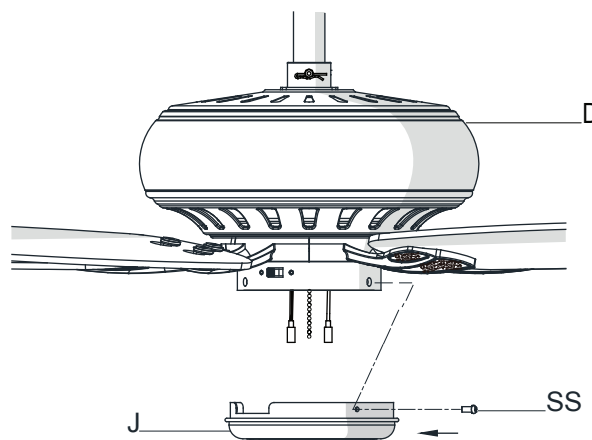
- ❑ Retira el anillo de presión (WW) del portabombilla roscado del kit de luces girándolo hacia la izquierda hasta destrabarlo.
- ❑ Inserta la pantalla de vidrio (H) en la cubierta del kit de luces y gira el anillo de presión (WW) hacia la derecha para fijar y asegurar la pantalla de vidrio. Repite para las pantallas restantes.
- ❑ Con la corriente desconectada, instala las bombillas LED (I) (de 9.5W, incluidas) en los portabombillas.
- ❑ Instala las extensiones de las cadenas para halar (EE) suministradas a los interruptores de cadena de las luces y del ventilador.



Ensamblaje - Cómo ensamblar el ventilador sin el kit de luces

2 Cómo ensamblar el ventilador sin el kit de luces

- ❑ Quita los tres tornillos de montaje del kit de luces (SS) en el lado de la caja del interruptor (J).
- ❑ Coloca la cubierta de la caja del interruptor (J) en esta última. Asegúrate de que la muesca en la cubierta de la caja del interruptor (J) del soporte del kit de luces permita que el interruptor de reversa en la caja del interruptor del ensamblaje del motor del ventilador (D) se mueva libremente. Reinstala los tornillos de montaje del kit de luces (SS).



CÓMO USAR TU VENTILADOR

Enciende la fuente de electricidad y verifica el funcionamiento del ventilador. La cadena del interruptor del ventilador controla las velocidades del ventilador de la siguiente manera:

Halar 1 vez: alto; halar 2 veces: medio; halar 3 veces: bajo; y halar 4 veces: apagado.

Las configuraciones de velocidad apropiadas para clima cálido o frío dependen de factores como el tamaño de la habitación, la altura del techo y la cantidad de ventiladores.

El interruptor deslizante (XX) controla la dirección de las aspas: hacia adelante (interruptor a la izquierda) o en reversa (interruptor a la derecha).

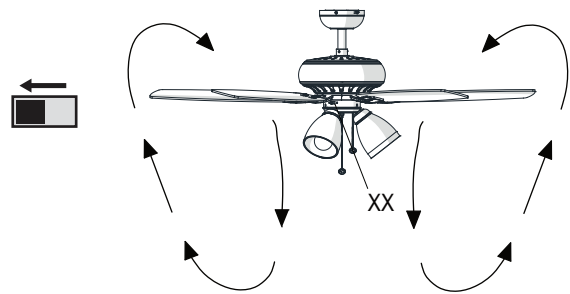


NOTA: Espera a que se detenga el ventilador antes de invertir el sentido de giro de las aspas.

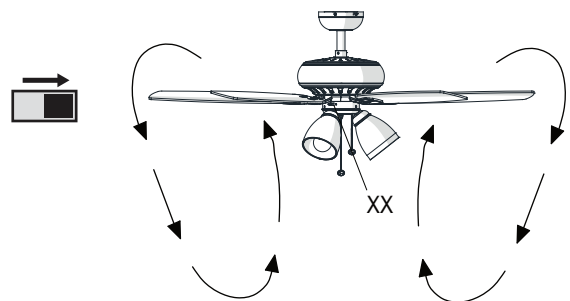
A. Clima cálido - (Hacia adelante) Un flujo de aire descendente surte un efecto refrescante. Esto te permite programar el aire acondicionado en una configuración más alta sin afectar tu comodidad.

B. Clima frío - (Reversa) Un flujo de aire hacia arriba desplaza el aire cálido lejos del cielo raso. Esto te permite fijar tu unidad de calefacción en configuración más baja sin afectar tu comodidad.

A. Clima cálido



B. Clima frío



Mantenimiento y limpieza



ADVERTENCIA: Asegúrate de que la electricidad esté apagada antes de limpiar el ventilador.

- Debido al movimiento natural del ventilador, algunas conexiones pueden aflojarse. Revisa dos veces al año las conexiones de soporte, los soportes y los accesorios de las aspas. Comprueba que estén seguros. No es necesario desmontar el ventilador del techo.
- Limpia tu ventilador con frecuencia, para que luzca como nuevo al paso de los años. No uses agua al limpiar; esto puede dañar el motor o la madera e incluso provocar descargas eléctricas. Usa sólo un cepillo suave o un paño sin pelusas para evitar arañar el acabado. El revestimiento está sellado con laca para minimizar la decoloración u opacidad.
- Puedes aplicar a la madera una fina capa de pulimento para muebles y asegurar así mayor protección y belleza superior. Cubre los arañazos pequeños con una leve aplicación de lustrador para calzado.
- No necesitas lubricar el ventilador. El motor tiene cojinetes de bola sellados y permanentemente lubricados.

Solución de problemas

Problema	Solución
El ventilador no enciende.	<ul style="list-style-type: none"><input type="checkbox"/> Verifica fusibles o cortacircuitos principales y secundarios.<input type="checkbox"/> Verifica las conexiones de cables en línea con el ventilador y las conexiones de cables del interruptor en la caja de interruptores.
El ventilador hace ruido.	<ul style="list-style-type: none"><input type="checkbox"/> Asegura que todos los tornillos de la carcasa del motor estén ajustados.<input type="checkbox"/> Asegúrate de que los tornillos que unen el soporte de aspa al cuerpo del motor estén bien apretados.<input type="checkbox"/> Asegúrate de que las conexiones de tuerca de cable no choquen unas con otras ni con la pared interior de la caja del interruptor.<input type="checkbox"/> Espera que transcurra un período de “adaptación” de 24 horas. En ese período desaparecen la mayoría de los ruidos asociados con un ventilador nuevo.<input type="checkbox"/> Si usas el kit de luces de ventilador de techo, asegúrate de que los tornillos que sujetan el vidrio estén bien colocados. Verifica que las bombillas estén bien aseguradas.<input type="checkbox"/> Asegúrate de que la cubierta esté a corta distancia del techo. No debe tocar el techo.<input type="checkbox"/> Asegura que la caja eléctrica quede bien ajustada y que las almohadillas aislantes de goma se hayan instalado entre la placa de montaje y la caja eléctrica.
El ventilador oscila.	<ul style="list-style-type: none"><input type="checkbox"/> Verifica que todas las aspas y los tornillos de sus brazos estén bien ajustados.<input type="checkbox"/> La mayoría de los problemas de oscilación del ventilador se deben a que las aspas no están al mismo nivel. Verifica este nivel seleccionando un punto en el techo sobre la punta de una de las aspas. Mide desde un punto en el centro de cada aspa al punto en el cielo raso. Mide esta distancia. Gira el ventilador hasta que la siguiente aspa quede bien colocada para medir. Repite para cada aspa. Las desviaciones de medición no deben pasar de 0.3 cm (1/8 de plg). Enciende el ventilador durante diez minutos. Si el ventilador continúa oscilando, comunícate con el servicio al cliente y te enviarán un kit de compensación de aspas, sin costo alguno.



¿Preguntas, problemas o piezas faltantes? Antes de devolver a la tienda,
llama al servicio al cliente de Hampton Bay, de lunes a viernes
de 8:00 a.m. a 7:00 p.m., Hora Estándar del Este, y los sábados de 9:00 a.m. a 6:00 p.m.,
Hora Estándar del Este.

1-855-HD-HAMPTON

HAMPTONBAY.COM

Conserva este manual para uso futuro.