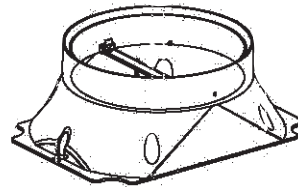
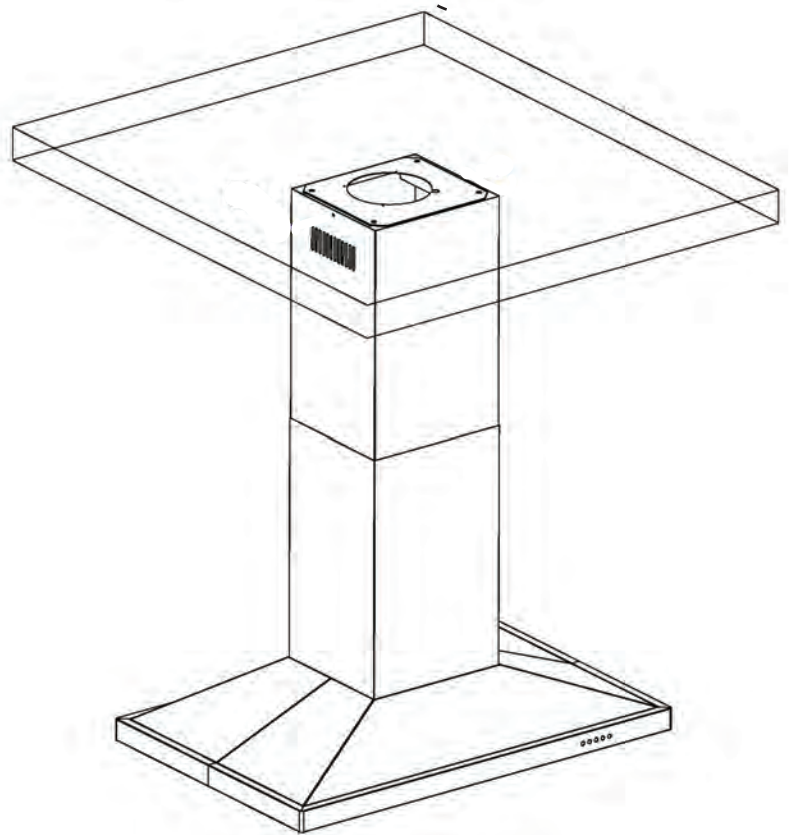


## Island Installation

### Parts Supplied:

Please unpack your range hood when it is delivered and inspect to ensure all parts are included.

1. Main Hood with all lights and button banks pre-installed.
2. Adjustable Stainless Chimney Cover
3. Flexible duct (not pictured)
4. Packet of screws and anchors
5. Island style mounting bracket
6. Backdraft Damper



## Five Easy Steps to Installation

**Step one:** Locate the center above the stove where the hood is to be installed. Ensure that the bracket will be secured to solid wood backing. Install the duct work in the center of the bracket. Secure the upper end of the bracket to the ceiling as shown in fig.1.

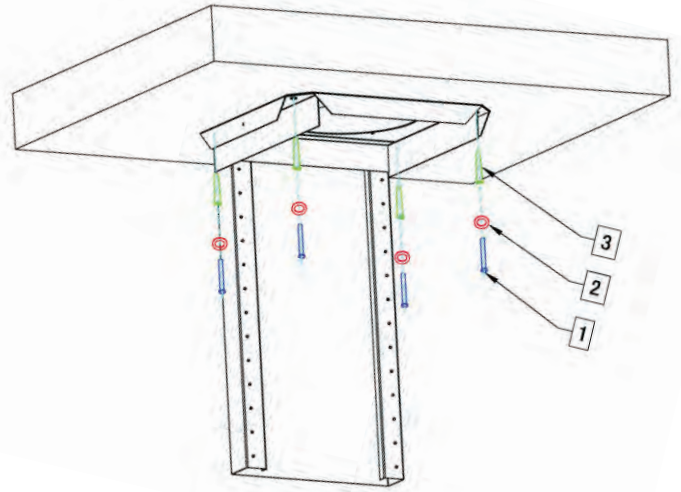


fig.1

**Step two:** Attach back draft damper to top of hood to prevent outside air from entering. fig.2

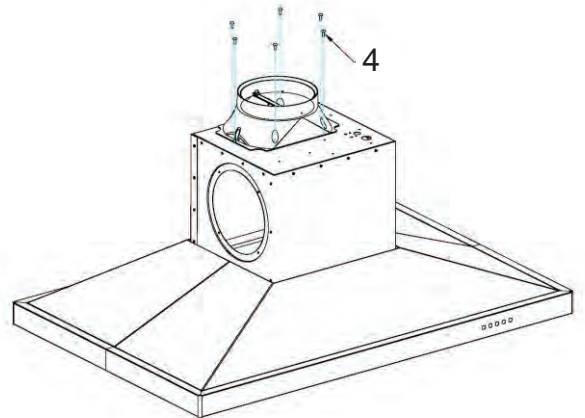


fig.2

**Step three:** Attach the lower portion of the chimney to the motor housing with the screws provided. fig.3

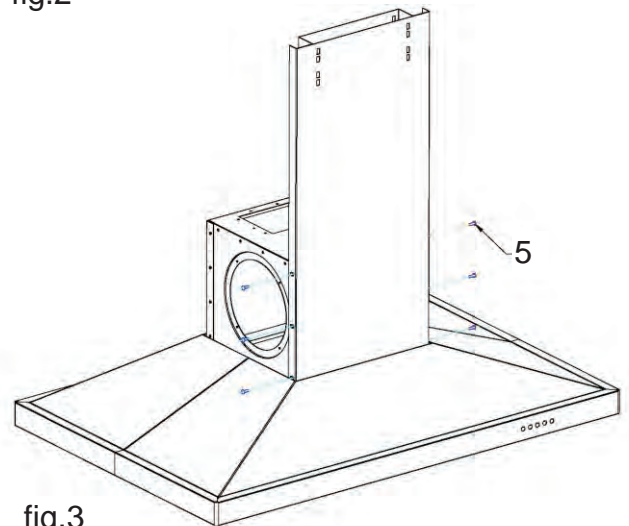


fig.3



**Step four:** Attach the duct to the top of the back draft damper. Place the chimney sections over the lower bracket section and on top of the main unit. Pull the plug to the top of the chimney sections. Attach lower bracket to upper bracket at desired height using screws provided. fig.4

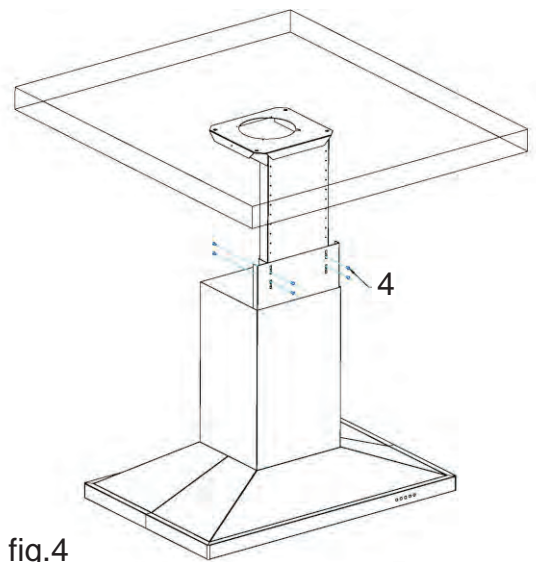


fig.4

**Step 5:** Make your electrical and ducting connections. Use 6" rigid duct wherever possible. Try and minimize the use of elbows. More elbows and longer runs create higher static pressure. The hood comes with a grounded three prong plug that can either be direct wired or plugged into a 20 amp. circuit. Next slide the inner portion of the chimney up around the upper bracket and secure using the screws provided. fig.5-6

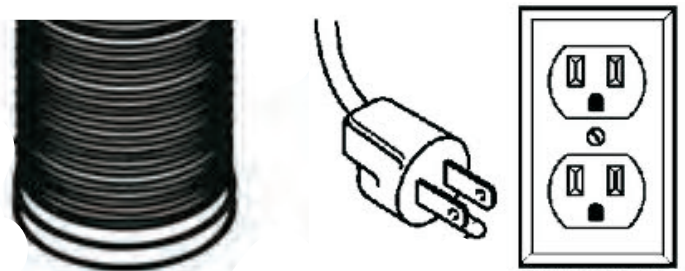


fig.5

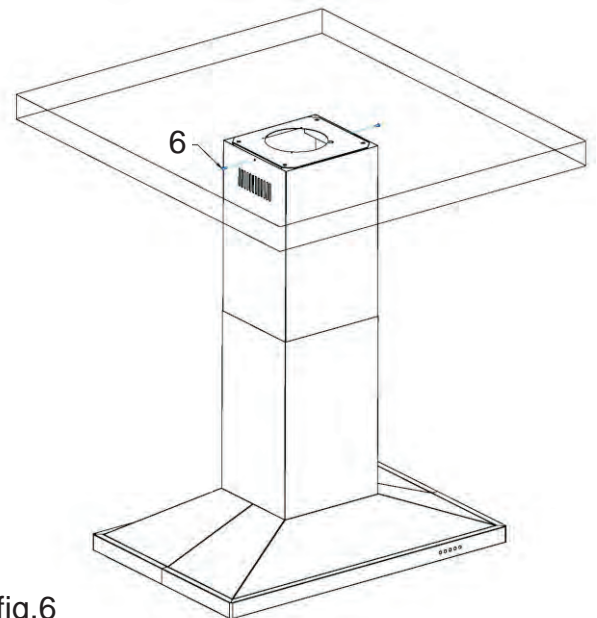


fig.6

