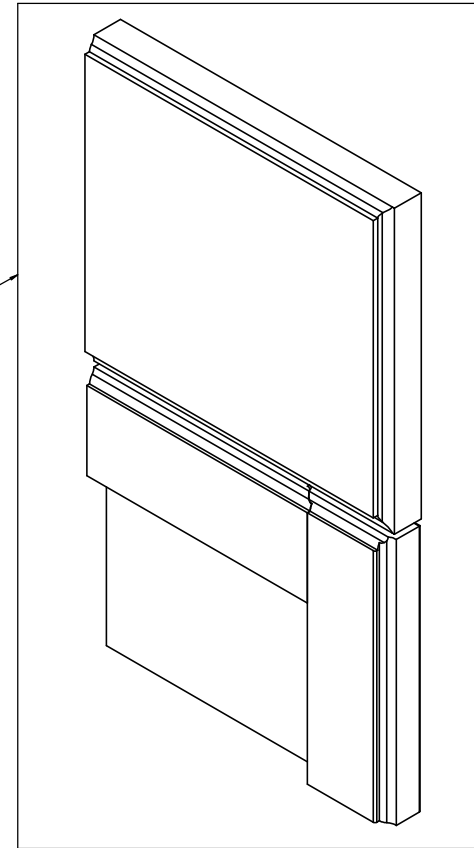
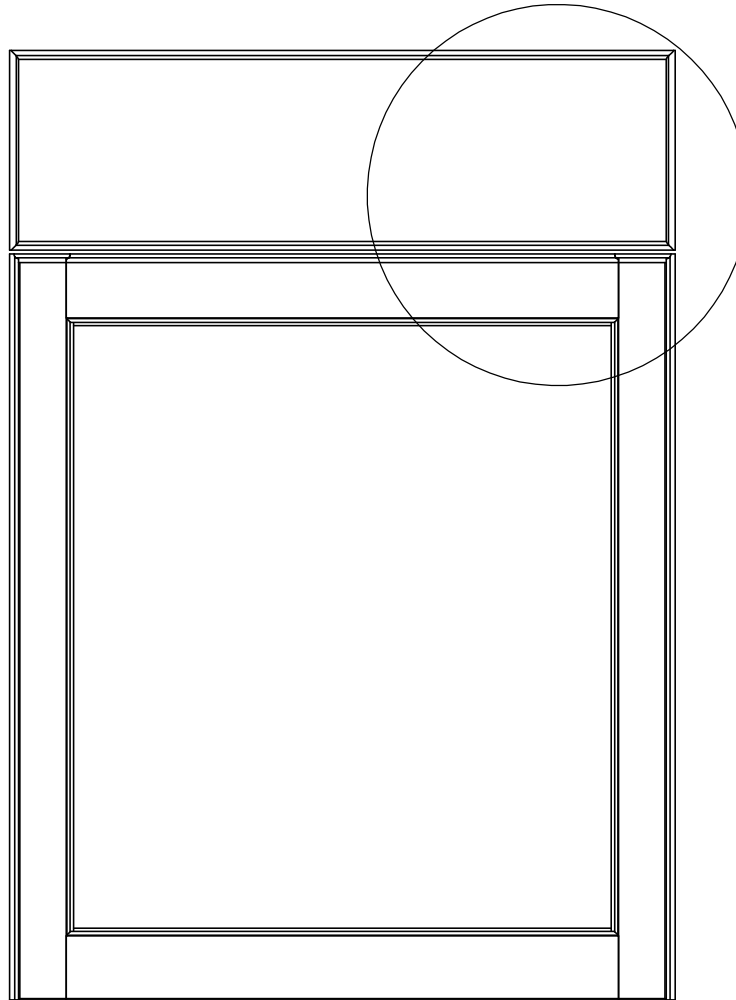


Item ID	Front Thickness [in] mm	Door Thickness [in] mm
EH2135B-GB	[.75] 19	[.75] 19

This profile  
belongs to  
EH2135B-GB



Detailed View

**Profile: Easthaven German Beech**

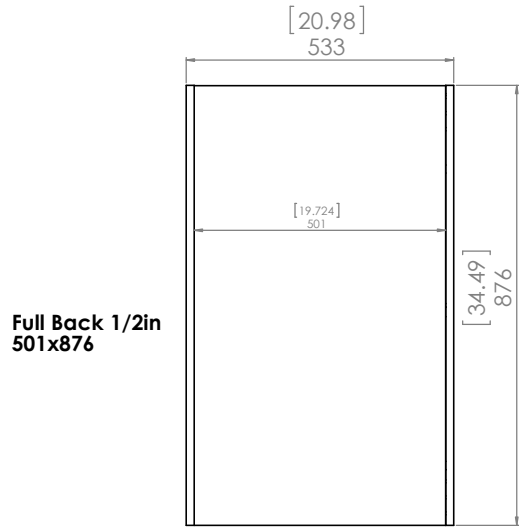
PROPRIETARY AND CONFIDENTIAL  
THE INFORMATION  
CONTAINED IN THIS DRAWING  
IS THE SOLE PROPERTY OF  
WOODCRAFTERS. ANY  
REPRODUCTION IN PART OR  
AS A WHOLE WITHOUT THE  
WRITTEN PERMISSION OF  
WOODCRAFTERS IS  
PROHIBITED.

UNLESS OTHERWISE  
SPECIFIED  
DIMENSIONS ARE IN  
MM AND [INCHES]  
TOLERANCES ARE  
+.039[1]-.039[1]  
SCALE:1:2

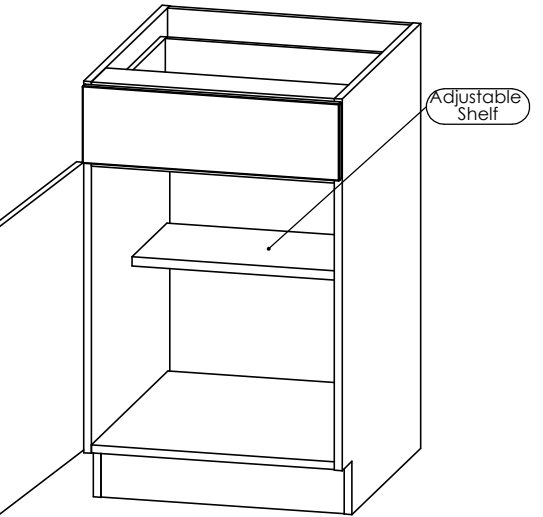
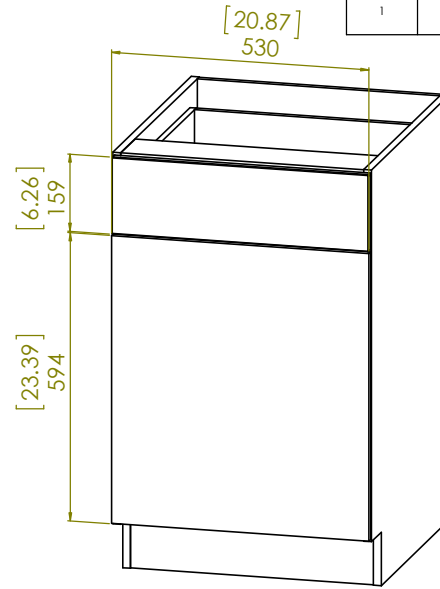


Item ID	Shelf Thickness [in] mm	Shelf Length and Width [in] mm	Depth "X" [in] mm
BT2135B-BT	.75 19	[19.57x10.57] 497x268.5	[24.7] 626.5
BT2135B-WH	.75 19		[24.5] 622.5
BT2135B-RC	.75 19		[24.7] 626.5
CM2135B-DK	.75 19		[24.7] 626.5
CM2135B-KG	.75 19		[24.5] 622.5
EH2135B-GB	.75 19		[24.7] 626.5

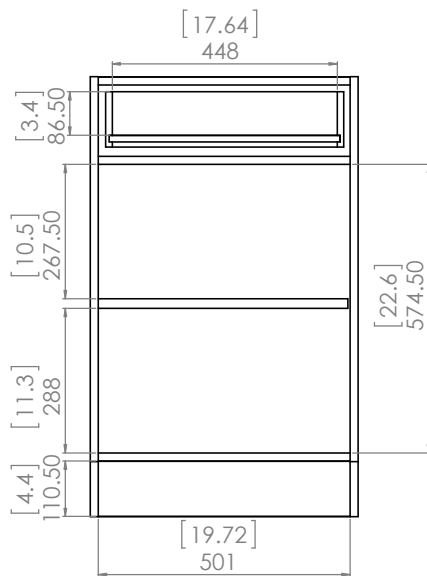
Description					
Kitchens-Base Cabinet with Soft Close Full Extension Drawer 21W x 34.5H					
REV	ECO#	Description	REV'D BY DATE	CHK'D BY DATE	APRV'D BY DATE
1		Removed back cleats and MDF backing and replaced them with a full back of PB 1/2in	ASG 7/25/18	ASG 7/25/18	ASG 7/25/18



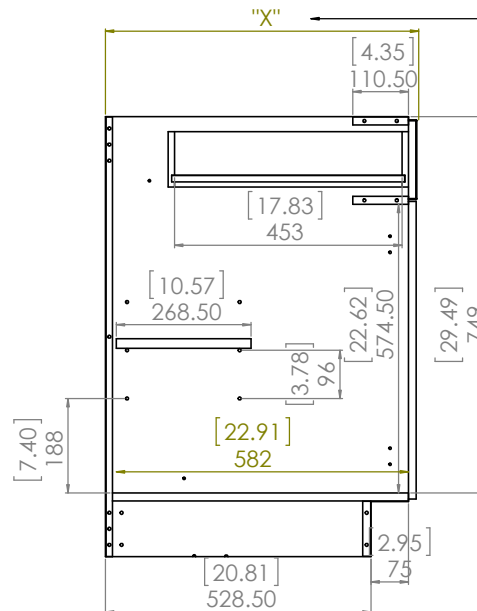
Back View



Isometric View



Front View (front door and Drawer removed)



Depth "X" depends on door profile

Side View (left panel removed)

NAME	SIGNATURE	DATE	MATERIAL
DRAWN Mark Flores		10/30/17	
CHK'D			
APPV'D			
MFG			WEIGHT:

PROPRIETARY AND CONFIDENTIAL UNLESS OTHERWISE SPECIFIED  
 THE INFORMATION CONTAINED IN THIS DRAWING IS THE SOLE PROPERTY OF WOODCRAFTERS. ANY REPRODUCTION IN PART OR AS A WHOLE WITHOUT THE WRITTEN PERMISSION OF WOODCRAFTERS IS PROHIBITED.

WOODCRAFTERS  
 Base\_Cabinet\_21in A1  
 DIMENSIONS ARE IN mm AND (INCHES) SCALE:1:5  
 TOLERANCES ARE +/- .10(.39) SCALE:1:5  
 SHEET 1 OF 1