



## **CARE AND USE OF YOUR FIRE GLASS**

### **How Much Fire Glass do I Need?**

Each 10 lb. jar of fire glass covers approximately 200 cubic inches. To calculate how much fire glass you need in a square/rectangular fire pits multiply the length by width by depth and divide by 200. For a round fire pit multiply the radius (1/2 diameter) by the radius by 3.12 by depth and divide by 200.

### **How to Clean Your Fire Glass in Just a Few Quick, Easy Steps**

One of the best things about fire glass is that unlike wood, it's extremely low maintenance. What's more, when you're using a natural-gas source, your fire pit glass is among the cleanest burning alternatives available.

That said, even the highest-quality fire pit glass may require a bit of cleaning up now and then. This may be due to exposure to rain and snow, or incomplete burning of the liquid petroleum (LP) gas in your fireplace or pit that causes soot buildup. Additionally, plain old dust particles can accumulate on the glass over time, blunting their shine.

Never fear, however — removing surface grime and restoring your glass back to its original color and luster is a cinch! Here's a step-by-step guide for how to wash fire glass right in your backyard or garage:

### **Supplies You'll Need**

- A bucket
- 1 gallon water
- 1 gallon household vinegar
- Plastic scoop for removing glass from your fire pit / fireplace
- Large wire mesh strainer (the kind used in the kitchen to drain pasta)
- Tarp or plastic trash bag



## Instructions

1. In the bucket, combine all of the water and vinegar (50/50 mixture).
2. Scoop the dirty fire glass from your pit and add it to the bucket (*Hint*: focus on the top layer and around the edges or near the burner).
3. Use the scoop to stir the glass around in the solution to clean your fire glass thoroughly.
4. Remove the glass from the water / vinegar solution and place in the strainer.
5. Give the glass a final rinse using clean water (a garden hose makes it easy).

Particularly if you're using the tempered variety, it's a good idea to dry your glass completely prior to using it again. This is because leftover moisture in cracked pieces can expand when heated and produce a popping noise that might be jarring.

To dry your glass, spread it out on a plastic bag or tarp. It'll dry quickly in the sunshine, but can also be left overnight in a non-sunny area or even indoors.

## A Couple of Important Pointers:

- Do not reuse the metal strainer for cooking afterwards. This is because small shards of fire pit glass — not readily visible to the eye — could get caught in the mesh and pose a serious health hazard. It's better to reserve the strainer for non-food uses and keep it somewhere safe, like a tool shed or garage.
- If you're using liquid propane (LP) versus natural gas, it can result in more discoloration to the glass pieces due to improper burning of the gas. This is easily fixable and is addressed in the next section.

Now that you know how to wash your fire glass, we'd like to remind you that once again, you've made an excellent choice in burning media. When used properly and cleaned regularly, your fireplace glass will retain its color and sparkling beauty for many years to come. Happy Burning!

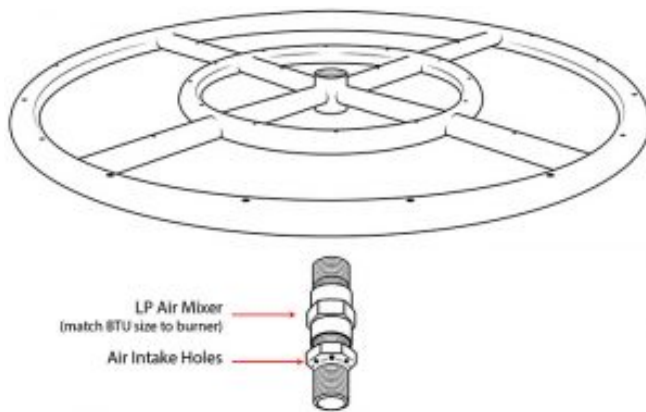
## Fire Glass Turning Black? Here's What to Do.



Watching your beautiful fire pit glass darken and discolor can be a startling experience. But not to worry — your “burnt” fire glass is absolutely fine. The fact is that fire glass is non-combustible, and it hasn’t been treated with any chemicals or additives that can produce a residue on the glass.

What you’re looking at, actually, is a fine coating of soot on the surface, which happens when the gas in your fire pit or fireplace isn’t burning properly. This is most common in fire installations that use liquid propane (LP).

## Here’s the Solution to Preventing Burnt Fire Glass



Unlike natural gas that is clean and light, LP gas is a denser, heavier fuel that requires the addition of air to the gas. Otherwise, it won’t burn cleanly and will produce a black soot. This soot is visible as smoke rising from the flames that also leaves a black coating on your fire glass and fire pit. An **LP gas air mixer** will fix this problem by mixing additional air with the gas. This results in the most clean and efficient fuel source possible — and less sooting. Soot typically occurs when there is no LP air

mixer present at all in a fire pit installation, or when it is undersized for the burner.

**Smart Tip:** If your fire pit or fireplace is exposed to the elements outdoors, it’s a good idea to keep it covered when not in use. This helps prevent moisture and dirt from entering your installation, ensuring that your fire glass and fire pit stay clean and looking like new.

## How to Clean Soot Off Your Fire Glass

The good news is that no matter how discolored your fireplace glass is, it’s fast, easy, and inexpensive to remove the soot. All you need is some water, regular household vinegar, a bucket and a strainer! In just a few minutes, your dirty glass will be restored to its original, glamorous luster and sparkle.

## Get Your Air Mixer Professionally Installed

Propane gas is highly volatile! As with any kind of installation that involves gas, you should have your new air mixer installed by a trained professional. When looking for a trained professional, it's a good idea to choose one with an NFI (National Fireplace Institute) certification. An NFI-certified installer has received the proper training in gas hearth appliances and passed NFI's rigorous exam, ensuring they meet high standards for safety and proper installation.