



# LED OUTDOOR LIGHT

LED-FL55WT  
LED-FL55BZ

INSTRUCTIONS PERTAINING TO RISK OF FIRE OR INJURY TO PERSONS  
READ ALL INSTRUCTIONS



**IMPORTANT SAFETY INSTRUCTIONS**  
**SAVE THESE INSTRUCTIONS**

### TOOLS AND MATERIALS REQUIRED:



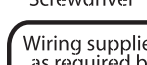
Pliers



Phillips  
Screwdriver



Wire Cutters



Wiring supplies  
as required by  
electrical code

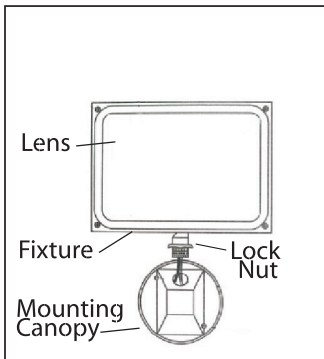
### SAFETY PRECAUTIONS:

1. TURN OFF ELECTRICAL POWER BEFORE STARTING INSTALLATION OF LIGHT FIXTURE.
2. THIS PRODUCT MUST BE INSTALLED IN ACCORDANCE WITH THE APPLICABLE INSTALLATION CODE BY A PERSON FAMILIAR WITH THE CONSTRUCTION AND OPERATION OF THE PRODUCT AND THE HAZARDS INVOLVED.
3. CONNECT THE GROUND WIRE (BARE COPPER OR GREEN) FROM YOUR FIXTURE TO THE GROUND WIRE (BARE COPPER OR GREEN) OR GROUND SCREW IN THE ELECTRICAL JUNCTION BOX.

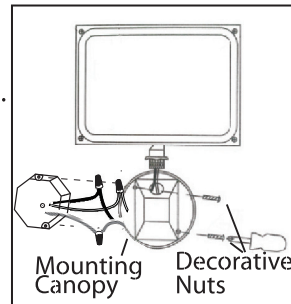
**NOTE: PRODUCT MAY NOT LOOK EXACTLY AS SHOWN IN FIGURES.**

Fixture is approved to -25°C

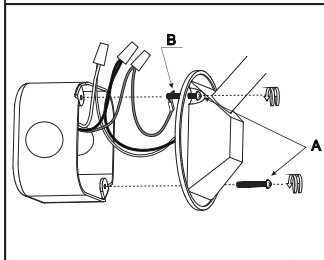
### INSTALLATION:



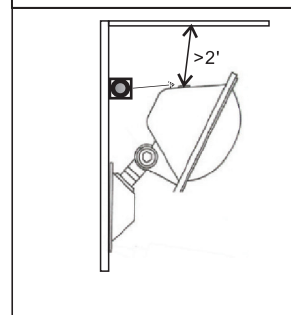
1. Twist the fixture into the mounting canopy and secure with lock nut provided.



3. Attach mounting canopy to electrical box with decorative nuts.



2. Connect electrical wires of fixture to wires in electrical box by connecting white to white wire, then black wire to black wire. Connect bare copper grounding wire by mounting the screw (A) through the grounding wire metal ring (B) to the junction box (to see illustration).



4. Apply caulking (not included in this unit) around the fixture and its mounting surface to ensure a water tight seal.

### NOTE:

Use the O-Ring without a hole to cover the sensor for manual use with a switch.

Note : The LED light may flicker during twilight for a period of 5 to 15 minutes .

### OPERATION:

Dusk to dawn feature is active when light switch is on. If light switch is off the light will not illuminate.

Fixture is approved to -25°C