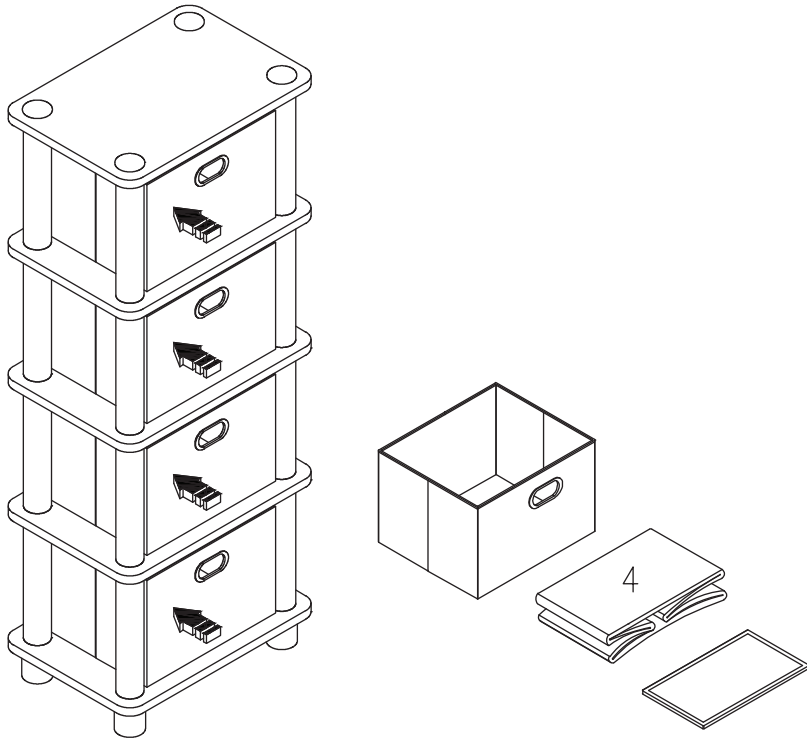
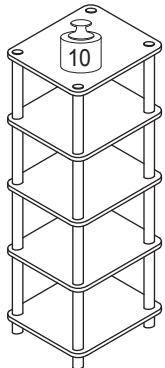


## STEP 2

Unfold Non Woven Bin (4) and slide into the assembled unit.



## Recommended Maximum Weight



\*Unit in Pound(lbs)

### **WARNING:**

>This unit has been designed to support the maximum loads shown. Exceeding these load limits could cause sagging, instability, product collapse, and/or serious injury.

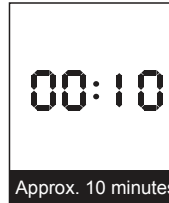
>DO NOT allow children to climb on unit.

>Put heavier items on lower shelves.

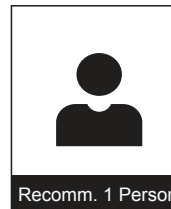


## **Assembly Instruction**

Furinno 4-Bins System Rack  
MODEL : 99150



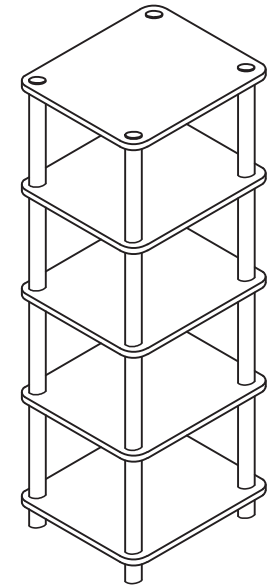
Approx. 10 minutes



Recomm. 1 Person



No Tools Required

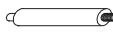






## **Customer Support**

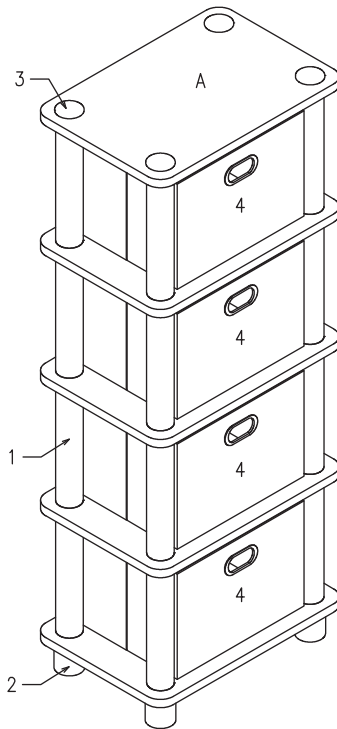
**NEED HELP?** For replacement requests or product inquiries, please contact our Customer Service Team by emailing us at [support@furinno.com](mailto:support@furinno.com). Thank you for selecting Furinno!

[www.furinno.com](http://www.furinno.com)



No	Hardware List	Qty
1	Short Pole 	16pcs
2	Round Leg 	4pcs
3	Top Cap 	4pcs
4	Non Woven Bin 	4pcs

No	Parts List	Qty
A	Shelf Panel 	5pcs



#### **USEFUL HINTS BEFORE YOU START:**

1. Read each step carefully before starting.
2. It is important that each step is performed in correct order to avoid difficulties.
3. Identify, sort and count the parts before assembly.
4. Assemble your furniture on packaging cardboard to prevent scratch or damage.
5. Clean the product with mild cleanser using soft damped cloth. Do not use harsh or abrasive cleanser.
6. Using incompatible hardware might cause damage to product.

#### **STEP 1**

- 1.1 Start from bottom, connect Short Pole (1) and Round Leg (2) through Panel (A).
- 1.2 Repeat the step by connecting others Short Pole (1) and Shelf Panel (A), as shown.
- 1.3 Attach Top Cap (3) on the top of Panel (A).

