

**LAVATORY FAUCET
K-10217**

ADA

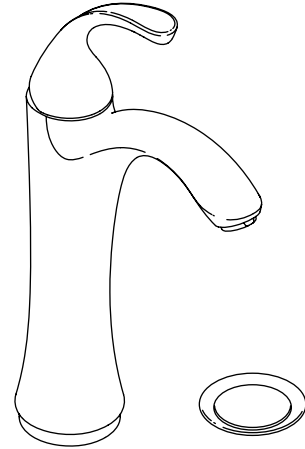
Features

- Brass construction
- One-piece, self-contained ceramic disc valve allows both volume and temperature control
- Temperature memory allows faucet to be turned on and off at any temperature setting
- High-temperature limit setting for added safety
- Flexible connections for easy installation
- 5-3/8" (13.7 cm) spout length
- Touch-activated drain with tailpiece and overflow
- Lever handle
- 2.2 gallons (8.3 L) per minute maximum flow rate

Codes/Standards Applicable

Specified model meets or exceeds the following:

- ADA
- ASME 112.18.1/CSA B125
- IAPMO/UPC
- NSF 61
- Energy Policy Act of 1992
- CSA International



Colors/Finishes

- CP: Polished Chrome
- Other: Refer to Price Book for additional colors/finishes

Specified Model

Model	Description	Description	
K-10217-4	Lavatory faucet	<input type="checkbox"/> CP	<input type="checkbox"/> Other _____

Product Specification

Single-control lavatory faucet shall be of brass construction. Product shall feature a one-piece, self-contained ceramic disc valve, which allows for both volume and temperature control. Product shall feature temperature memory, allowing the faucet to be turned on and off at any temperature setting. Product shall include a high-temperature limit stop for added safety, flexible connections for easy installation, 5-3/8" (13.7 cm) length spout, touch-activated drain with tailpiece, and lever handle. Product shall be available with lower flow aerator options (refer to the Kohler Price Book). Product shall feature single-hole mounting installation and flow rate of 2.2 gallons (8.3 liters) per minute. Lavatory faucet shall be Kohler Model K-10217-4-_____.

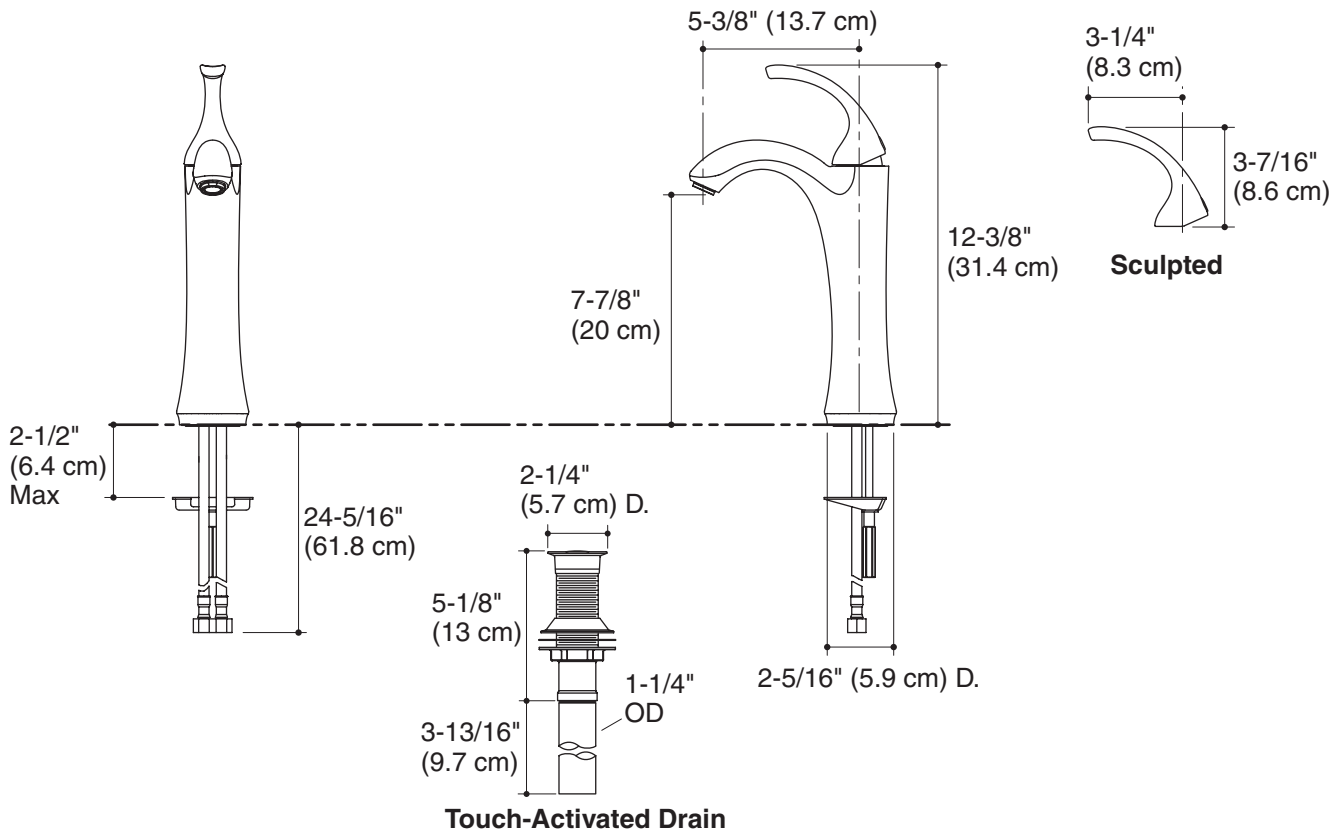
FORTE®

Technical Information

Included components:	
Drain	1035625

Installation Notes

Install this product according to the installation guide.



Product Diagram