

Features

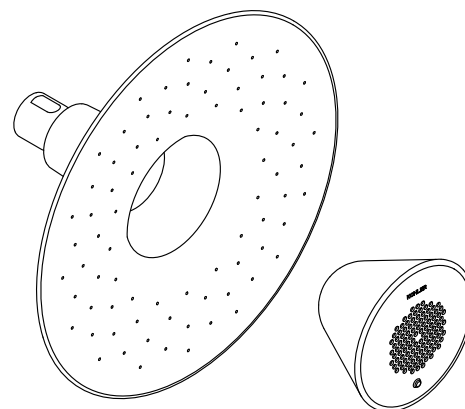
- Rainhead with wireless speaker streams your personalized music playlists, news and other audio in the shower.
- Syncs with Bluetooth®-enabled devices including smart phones, MP3 players, tablets and laptops located up to 32 feet away.
- Total harmonic distortion: 1.5 watts at 1kHz with < 1% distortion.
- Water-resistant wireless speaker pops in and out of rainhead for easy recharging.
- Wireless speaker can be used outside the shower space, independent of the rainhead, to stream music in any room.
- 80 angled nozzles deliver a full-coverage, enveloping spray
- Soft silicone sprayface is easy to clean.
- 2.5 gpm (gallons per minute) flow rate
- 1/2-inch NPT connection.
- Includes showerhead, wireless speaker, speaker stand and micro USB charging cable.
- *The BLUETOOTH® word mark and logos are registered trademarks owned by Bluetooth SIG, Inc. and any use of such marks by Kohler Co. is under license. Other trademarks and trade names are those of their respective owners.

Material

- KOHLER finishes resist corrosion and tarnishing.

Installation

- Wall-mount



For complete listing of available colors, go to kohler.com.

Codes/Standards

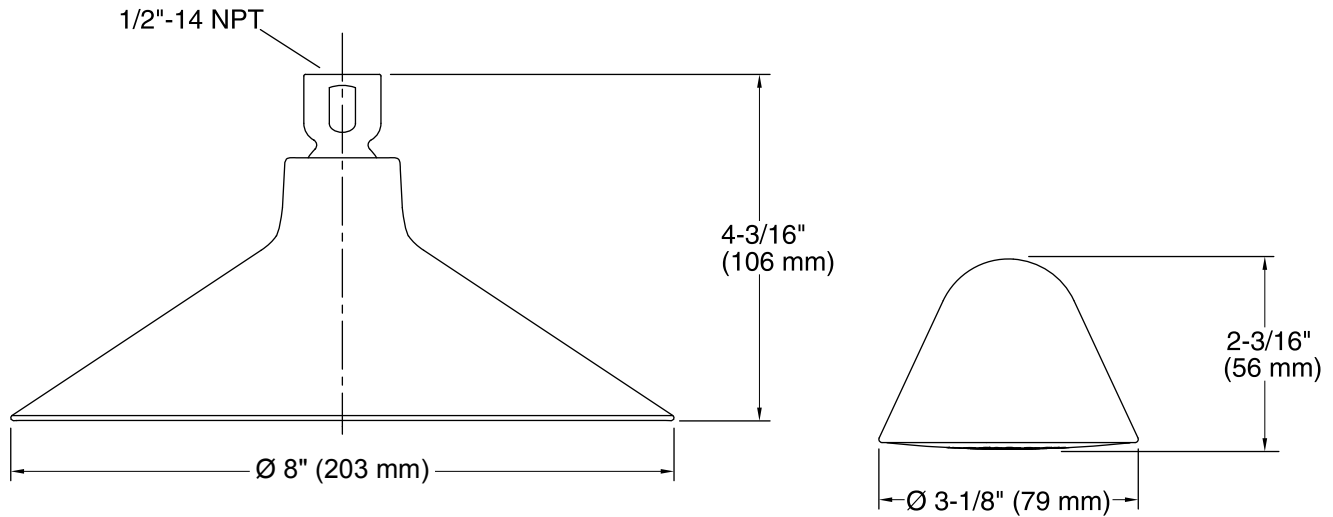
ASME A112.18.1/CSA B125.1
DOE - Energy Policy Act 1992
FCC Part 15
ICES-003

KOHLER® One-Year Limited Warranty

See website for detailed warranty information.

Product Specification

Rainhead shall be 8" (203 mm) in diameter and 4-3/16" (106 mm) in height. Rainhead shall be 2.5 gpm (9.5 L/min) flow rate. Rainhead shall be with 80 angled nozzles. Rainhead shall be with 1/2" NPT connection. Rainhead shall be with showerhead, wireless speaker, speaker stand, and micro USB charging cable. Rainhead finish shall resist corrosion and tarnishing. Rainhead shall be wall-mount. Rainhead shall be KOHLER Model K-99105.



Technical Information

All measurements are nominal.

Installation Notes

Install this product according to the installation guide.

Observe all local plumbing and building codes.

A BLUETOOTH wireless device is required to stream music.

Use with an automatic compensating valve rated 2.0 gpm (7.6 L/min) or less.