

Ballast Installation Guidelines.



**INSTALLATION/RETROFIT INSTRUCTIONS FOR
ELECTRONIC FLUORESCENT BALLASTS
(Please read entire instructions before starting
installation)**

**WARNING: PLEASE READ THE FOLLOWING
NOTICE
BEFORE INSTALLING ELECTRONIC
FLUORESCENT BALLASTS!**

Only Qualified Electrician Should Perform the Installation of this ballast.

This equipment has been tested and found to comply with FCC 47 CFR Part 18, Non-Consumer RFI/EMI (“Class A”) limits. This Ballast can be installed only in commercial environments.

You must follow these codes and safety standards when installing this product:

- National Electric Code (NEC)
- Applicable Federal, Standard and Local Electric Codes
- U.L. safety standards.

Failure to comply with these codes and standards may cause death, serious injury, and property damage.

For your safety, the following information must be followed to prevent personal injury or property damage.

Before Installing this ballast.

INSTALLATION INSTRUCTIONS FOR ELECTRONIC FLUORESCENT BALLASTS

(read entire instruction leaflet prior to starting installation work)

1. Remove Power from fixture by switching circuit breaker powering the fixture to the off position. *Caution: Turning off the fixture's wall switch may not remove voltage from fixture.*
2. For maximum safety and to assure proper starting of fluorescent lamps, fixture must be grounded. Make sure fixture is properly grounded per National Electrical Code (NEC).
3. Check and make sure that replacement ballast is the right ballast for the fixture, input voltage, lamps, sockets, and application.

During Installation:

4. Follow all relevant National Electric Code (NEC), Federal, State and Local Electric Codes as well as U.L. safety standards.
5. Remove fluorescent lamps and ballast compartment cover.
6. Replace any damaged or deteriorated cable and/or lamp sockets.

During Installation:

7. Make sure that replacement ballast is properly grounded to metal fixture per National Electrical Code (NEC). Tighten ballast mounting screws seating ballast firmly against fixture surface. The ballast must be electrically grounded to the fixture. To insure electrical grounding between ballast case and fixture housing mounting screws with star washers are recommended to break (penetrate) the painted surface of the ballast mounting foot.

8. Follow the wiring diagram on the ballast label exactly. Trim excess wire if needed to avoid wire bunching up under ballast compartment cover.

During Installation:

9. Use only U.L. approved wire connectors for all electrical connections. CAUTION: Wire connectors must be securely fastened and must completely cover exposed wire ends to prevent shock hazard.

10. Be sure to insulate unused leads INDIVIDUALLY to 600Vrms using U.L. approved wire connectors.

11. Verify that all installation and safety requirements have been completed.

After Installation:

12. Restore power at circuit breaker and apply power to the fixture. NOTE: For maximum light output, it is recommended that lamps be replaced at the same time as the ballast.

FOR COMMERCIAL USE ONLY. NOT FOR RESIDENTIAL (CONSUMER) USE. FCC 47 CFR Part 18 Class A, Non-Consumer Rated Product

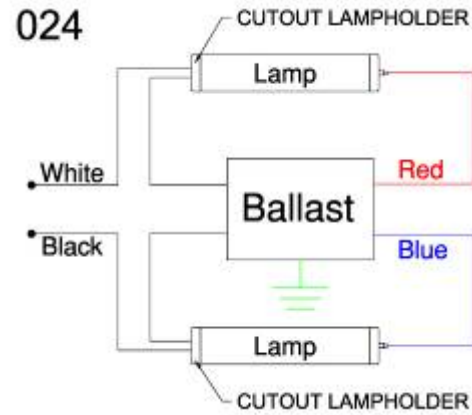
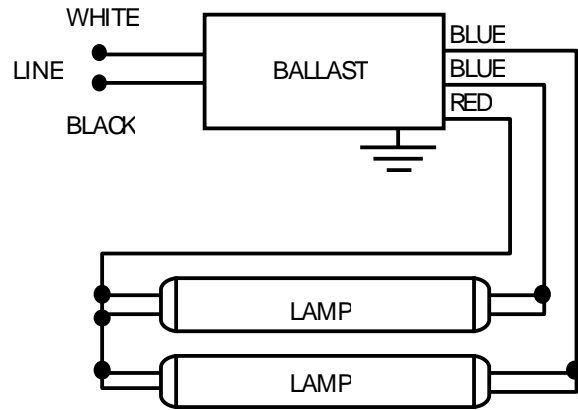
GE260IS

GE 260 IS Wiring

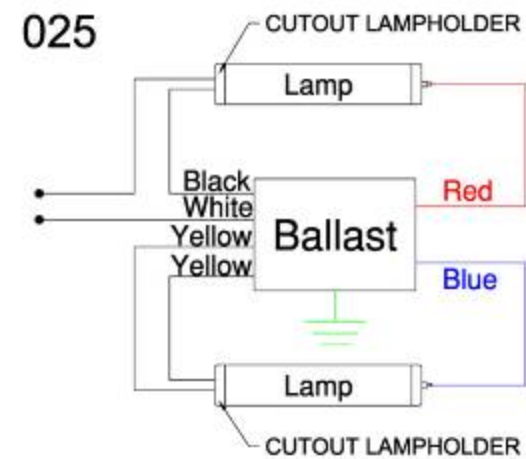
Cut all leads in existing fixture

Wire according to diagram on ballast

Blue wires to moveable contacts-lampholder



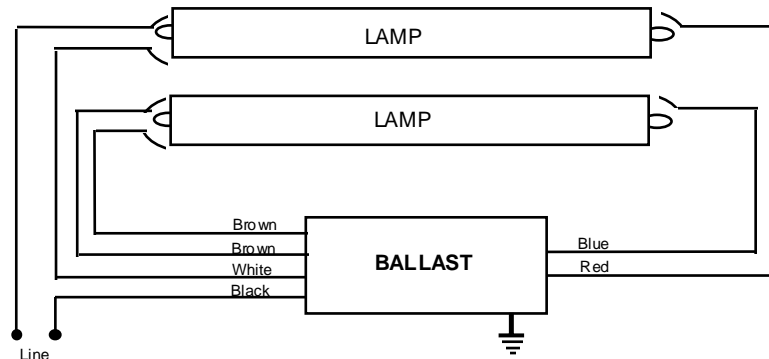
GEM296IS120



GEM296IS277

ULT 827 277V

Manufactured in North America



Ballast must be grounded. Install in accordance with National Electric Code.

93880

ULT 806 120V

