



Undermount Model Double Bowl NCFU312010L/R

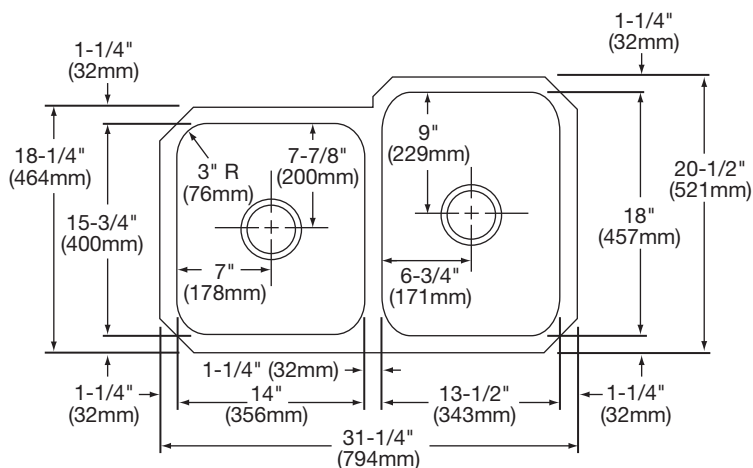
Specifications

FEATURES:

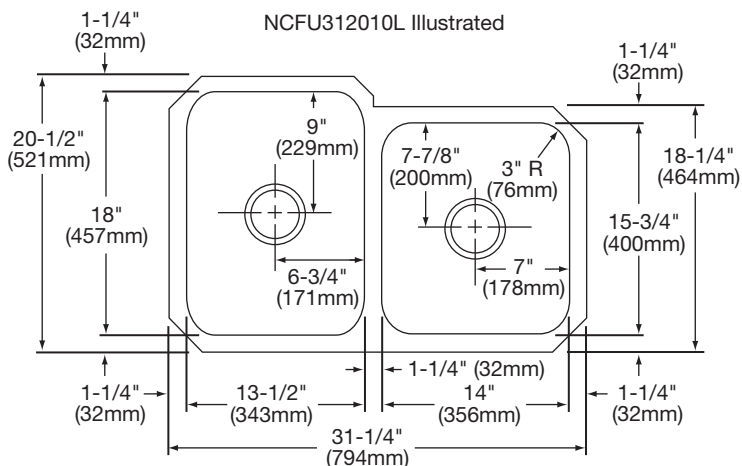
- 18 (1.2mm) gauge nickel-bearing stainless steel
- 3-1/2" (89mm) center drain opening
- Full undercoat
- Suggested cabinet size: 36" (914mm)
- Shipping weight: 18 lbs. (8.2kg)

OPTIONAL ACCESSORIES:

- Mounting Brackets: LKUMB8 (2)



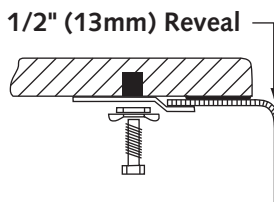
NCFU312010L Illustrated



NCFU312010R Illustrated

Installation Profile

The template provides this mounting option.



NOTE: THIS UNDERMOUNT SINK IS DESIGNED TO MOUNT TO SOLID SURFACE (NON-LAMINATE) COUNTERTOP ONLY.

In keeping with our policy of continuing product improvement, Revere reserves the right to change product specifications without notice.

This specification describes a Revere product with design, quality and functional benefits to the user. When making a comparison of other producers' offerings, be certain these features are not overlooked.