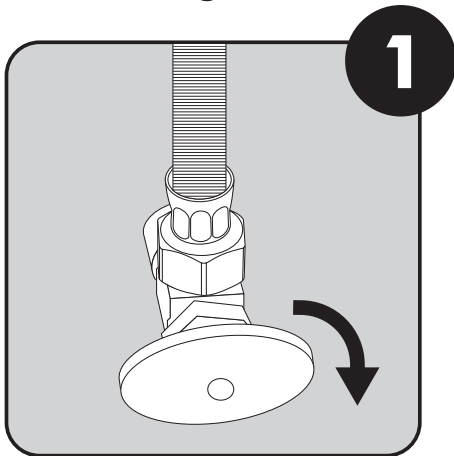


SYSTEM MAINTENANCE

The system requires very little maintenance. Just change the filter cartridges regularly as indicated on the filter label (Replacement time may vary based on the condition of source water). Keep the system indoors away from extreme heat or cold temperatures, and run the system within its reasonable output capacity (i.e. allow the system to rest at least a few hours a day).

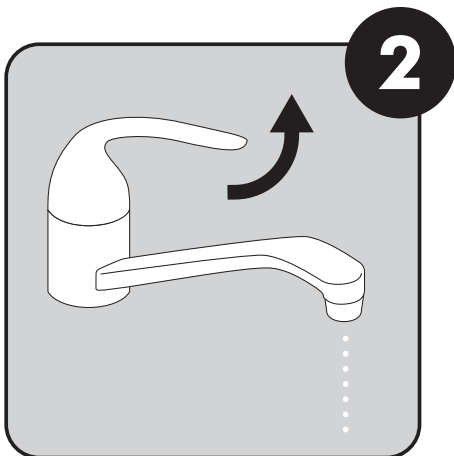
To properly maintain your APEC water filtration system, please use only genuine APEC Water replacement filters at www.FreeDrinkingWater.com/filters

Filter Change Instruction

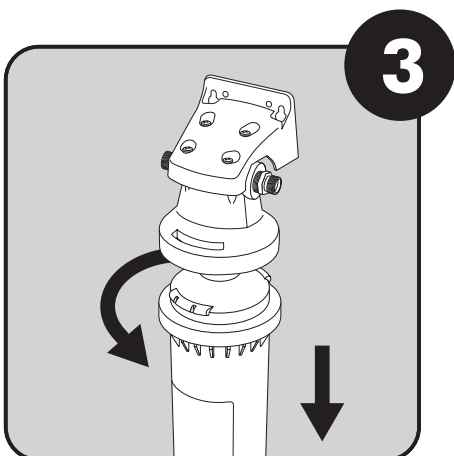


Locate the **Cold** water supply valve under the kitchen sink (the round or oblong handle on the right side). Turn off the incoming cold water completely by turning the shut off handle clockwise.

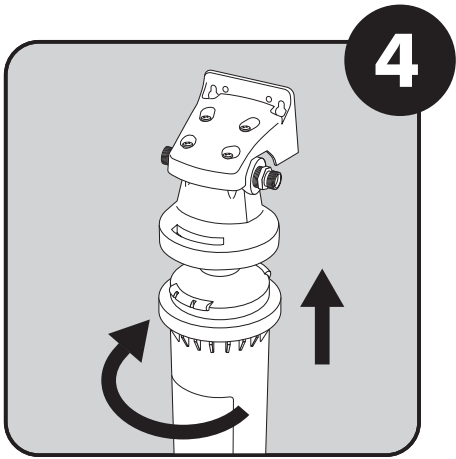
Note: If the cold water shut off valve cannot turn off the water, the main water supply to the house must be shut off for the installation.



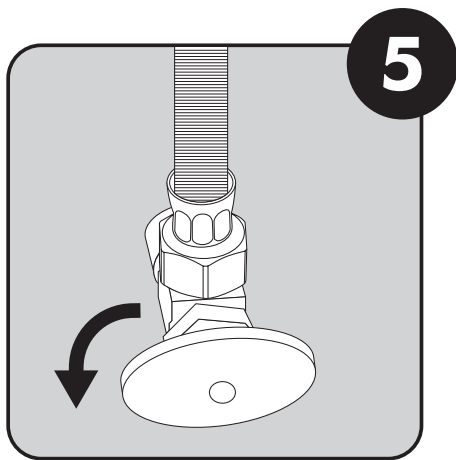
Turn the faucet handle to the **ON** position of cold water side to release the remaining water and relief the built-up pressure inside the system.



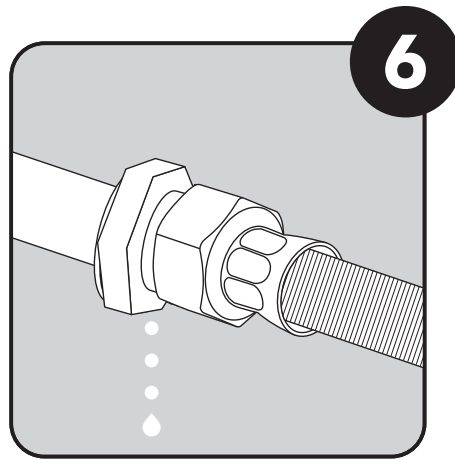
Hold on to the system and remove the filter by turning **Counterclockwise** and gently pull down to remove the filters. To prevent spills, hold the filter in an upright position. Lay the old filter on a towel to absorb any water that drips out.



Hold on to the new filter with the label side facing you and align the two teeth indent to the two teeth on the cap. After the filter and the cap is align, gently push up and turn **Clockwise** until it locks in place. Gently pull down to make sure the filter is secure in place.



Turn on feed water:
Slowly, turn on your Cold water supply. Turn **counter-clockwise** to allow the raw water to enter the system.



Check for leaks!



Turn on the cold water faucet and let it flush the new system for up to 5 minutes.

*** End Filter Change Section ***