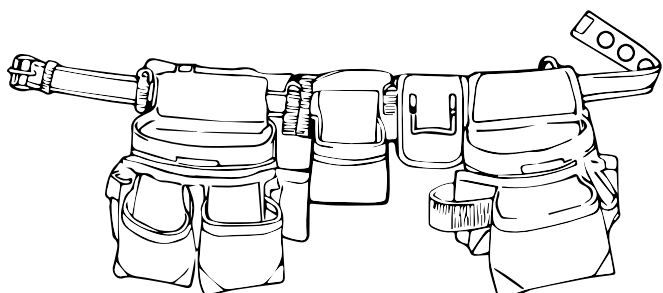
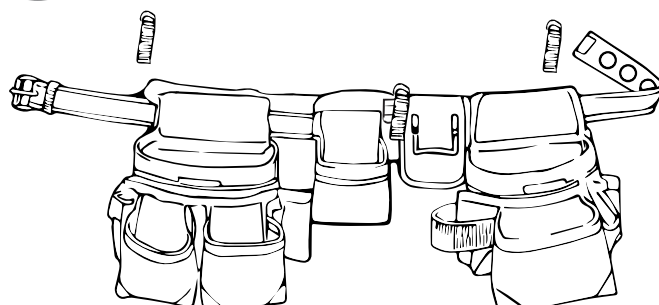


1



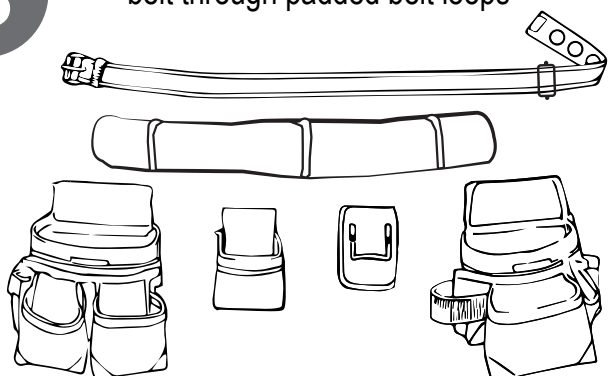
2

Remove D-Rings on outside of belt



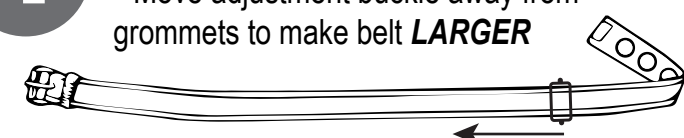
3

Remove all pouches and pull webbing belt through padded belt loops

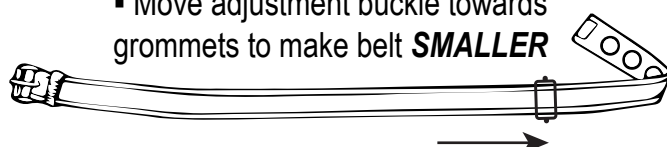


4

Move adjustment buckle away from grommets to make belt **LARGER**



Move adjustment buckle towards grommets to make belt **SMALLER**



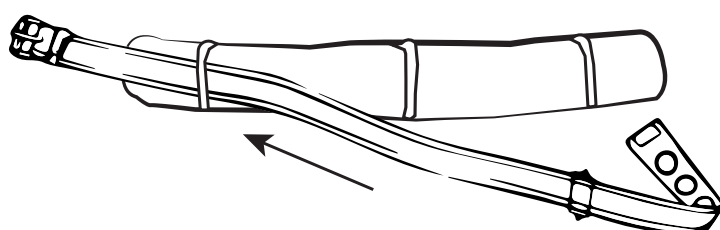
5

Check the sizing, make sure it is not too tight or too loose



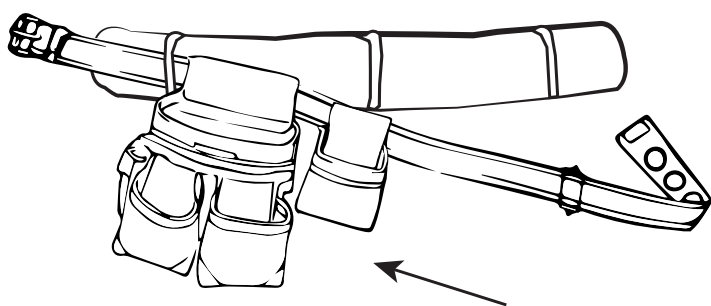
6

Starting on one side of the padded belt, slip webbing belt through first loop



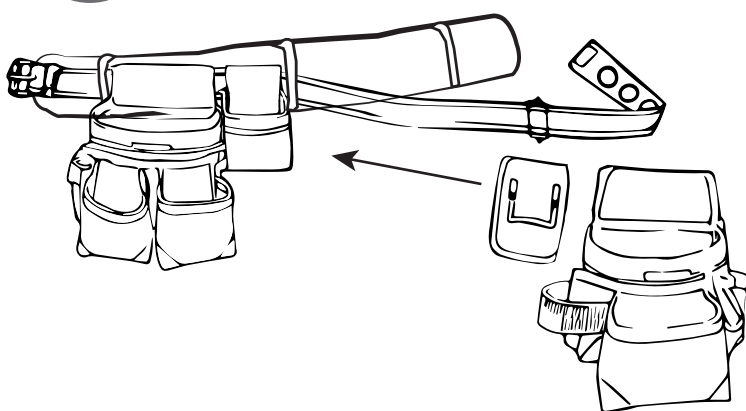
7

Slide pouches on to webbing belt in the position of your choosing



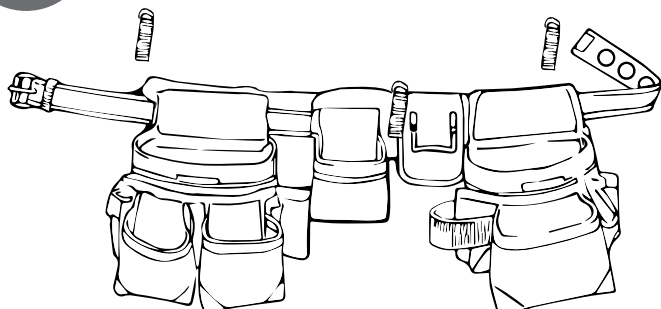
8

Slide webbing belt through the middle padded belt loop and continue arranging pouches as desired



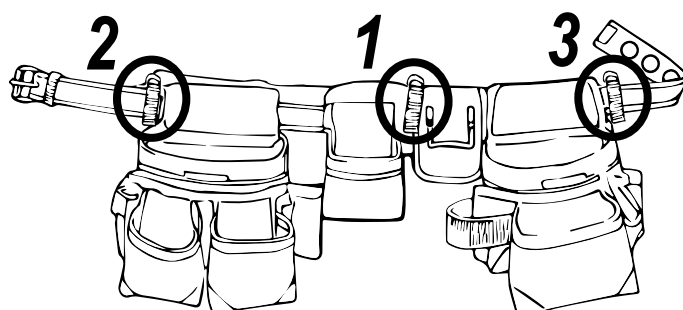
8

Replace D-Rings on outside of belt



9

Starting with middle D-Ring, match each suspender strap clip with corresponding D-Ring



10

