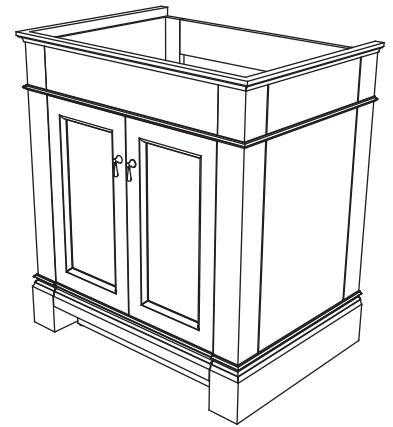


## ASSEMBLY & INSTALLATION INSTRUCTIONS

### Portsmouth 30" Vanity

Model: 9210.030

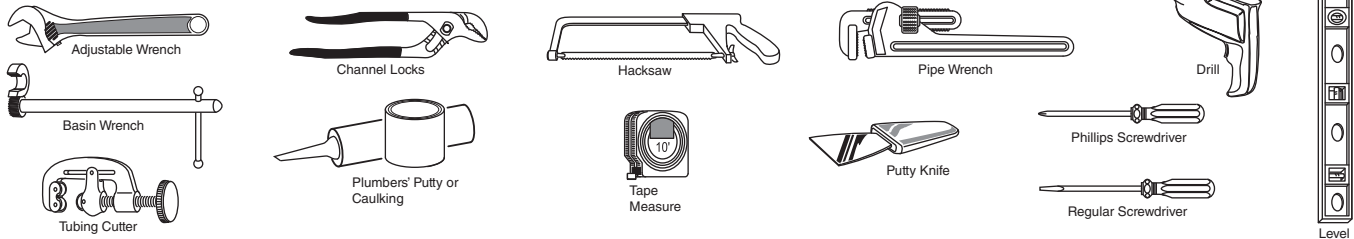


VANITY TOP	RECOMMENDED SINKS	RECOMMENDED FAUCETS
9210.130 Laminated 31" Marble Top	0615.000 Portsmouth Undermount Sink	7005.201 Copeland Center Set Faucet
No additional top required for Portsmouth Vanity Top	7820.400 Portsmouth Vanity Top - 4" Centers 7820.800 Portsmouth Vanity Top - 8" Centers	7005.801 Copeland Widespread Faucet

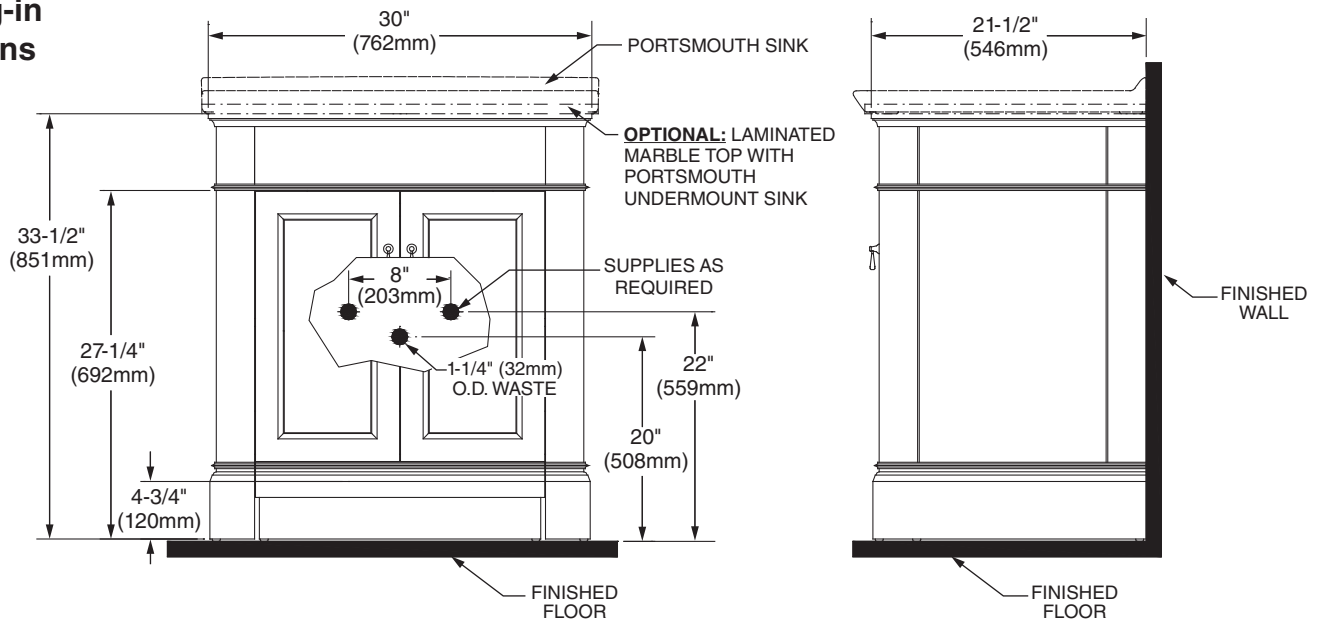
Thank you for selecting our products...products which have been the benchmarks of fine quality for over 100 years. To help insure that the installation process will proceed smoothly, please read these instructions carefully before you begin. Also, review the recommended tools and materials list; carefully unpack and examine your new plumbing fixture.

To maintain the beauty of the finish, avoid placing the furniture in direct sunlight, as sunlight causes fading. Also avoid extreme changes in temperature by arranging furniture away from radiators, heat and air vents, and air conditioning units. Avoid placing furniture directly under windows.

### Recommended Tools & Materials



### Roughing-in Dimensions



## VANITY INSTALLATION

Unpack unit carefully, taking care that bottom shelf does not drop and damage front legs (see *Figure 2*).

Provide suitable reinforcement for anchoring the vanity to the wall. Centerline of reinforcement should be 31" up from the floor (see *Figure 1*).

Rough in supply lines and waste per rough-in dimensions.

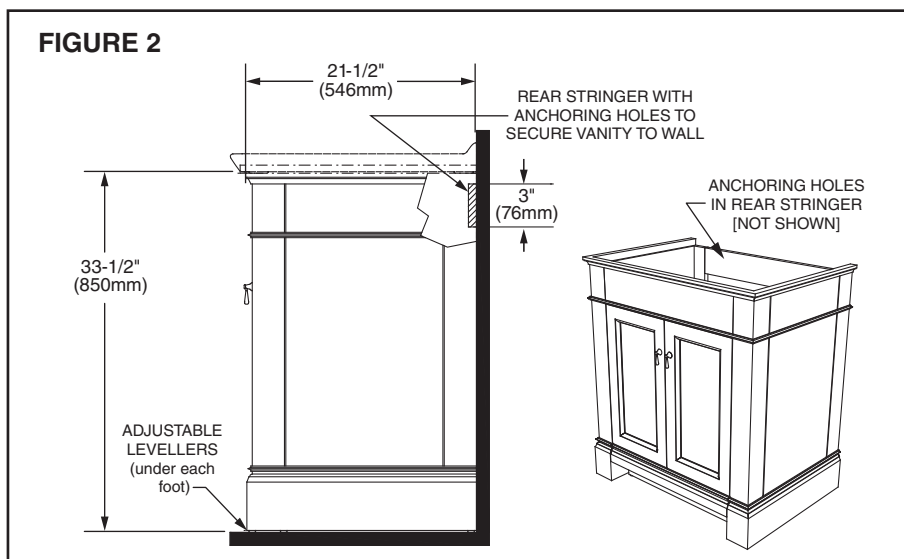
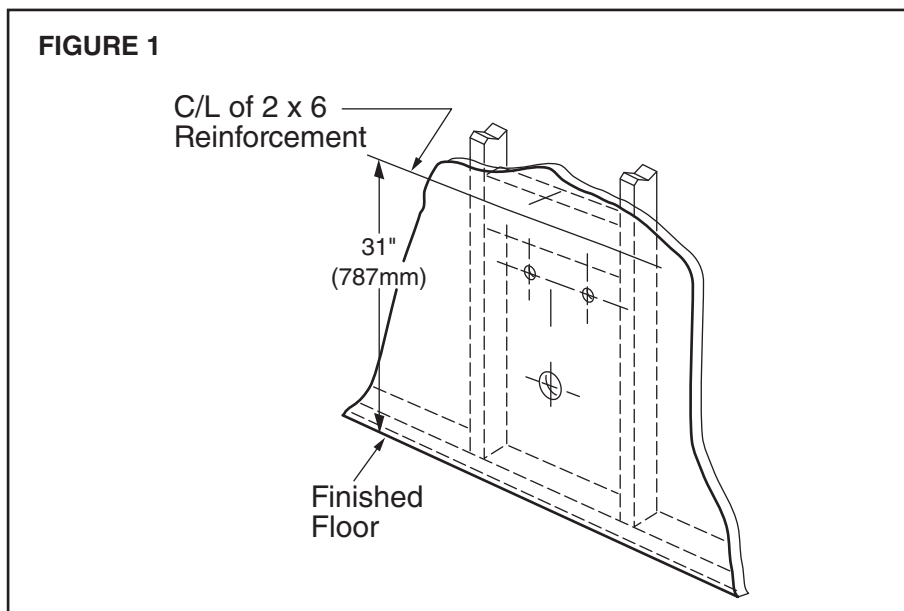
The molding needs to be notched to seat the vanity flush against the wall.

Move the vanity into place and level with the adjustable glides on the bottom of the feet. The glides can be adjusted outward up to 1" but it is recommended not to exceed 1/2" if possible.

Drill at least two 3/8" O.D. anchoring holes through the centerline of the rear stringer of the vessel stand, located 1" down from the top of the table (see *Figure 2*).

Anchor the vanity to the wall through at least 2 of the anchoring holes in the rear of the vanity (see *Figure 2*).

Continue with installation appropriate for top and sink options chosen.



## PORTSMOUTH VANITY SINK 7820.400 AND 7820.800 INSTALLATION onto VANITY

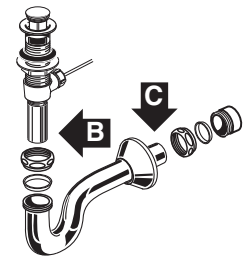
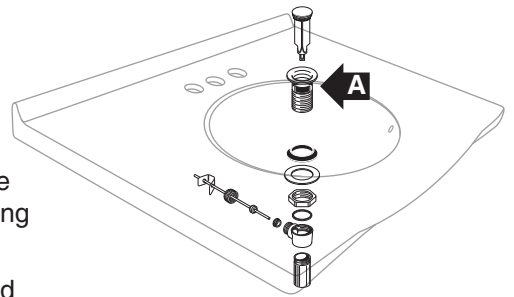
**Two people recommended for this installation**

Mount the drain assembly (not included) on the sink. Be certain to apply a bead of sealing putty on the underside of the drain (Part "A") in order to ensure a watertight seal between the sink and drain. Remove excess putty after installing the drain on the sink.

Apply a bead of silicone adhesive to the rim of the vanity. Place the top centered left to right on the vanity and with the back edge of the top even with the rear of the vanity. Apply a bead of silicone along the top back edge of the vanity top and the wall. Clean up any excess silicone.

Connect the trap to the drain assembly hand tight to check alignment. It may be necessary to cut off part of the tailpiece (area "B") or part horizontal leg of the trap (area "C").

Connect hot and cold supply lines to the shut off valves. Tighten trap joints for watertight assembly.



## MARBLE TOP 9210.130 WITH PORTSMOUTH 0615 UNDERCOUNTER SINK

**Two people recommended for this installation**

**NOTE:** Marble top comes pre-cut for the Portsmouth Undercounter sink and 8" faucet spread. Also it is strongly recommended that the marble top be sealed after installation and prior to use.

Mount the drain assembly (not included) on the sink. Be certain to apply a bead of sealing putty on the underside of the drain (Part "A") in order to ensure a watertight seal between the sink and drain. Remove excess putty after installing the drain on the sink.

Turn the marble top upside down and place it on a clean, scratch resistant surface. Apply a bead of silicone adhesive to the rim of the sink. Center the sink over the cutout and (secure it to the top using the mounting kit provided).

### **NOTE:**

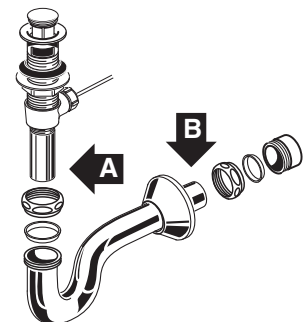
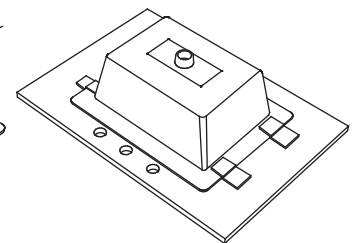
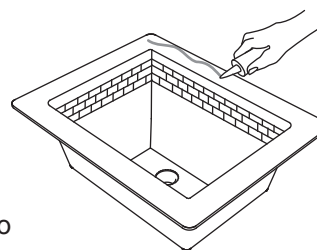
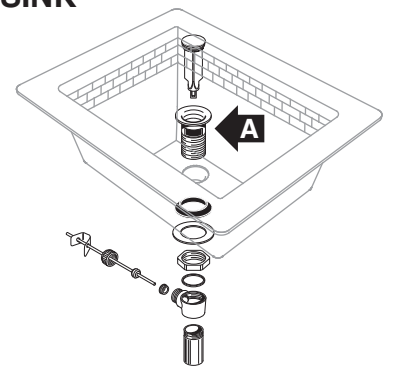
Use the 4 brackets supplied with the sink mounting kit and the 4 screws supplied with the marble top to secure the sink to the underside of the marble top.

Turn the top right-side up and install the faucet per the manufacturer's instructions.

Apply a bead of silicone adhesive to the rim of the vanity. Place the marble top centered left to right on the vanity and with the back edge of the top even with the rear of the vanity. Clean up any excess silicone.

Connect the trap to the drain assembly hand tight to check alignment. It may be necessary to cut off part of the tailpiece (area "A") or part horizontal leg of the trap (area "B").

Connect hot and cold supply lines to the shut off valves. Tighten trap joints for watertight assembly.



## Care and Cleaning of Vanity

Clean the product by using soft, slightly damp cloth. Buff the product by using a soft dry cloth. Avoid using silicone cleaners and waxes.

Clean up excess water and spills immediately. Use a blotting rather than a wiping action. Water left over a long period of time will cause white spots in the finish.

NOTE: Please note that some chemicals may damage the finish. Take care to avoid the following: iodine, hair dye, after shave lotion, shaving cream, alcohol, perfume, Lestoil®, Lysol Tub and Tile Cleaner®, Lysol Spray Disinfectant®, Dow Disinfectant®, acetone, paint remover, Formula 409®, Tile-X®, and Nair®.

## Care and Cleaning of the Marble Vanity Top

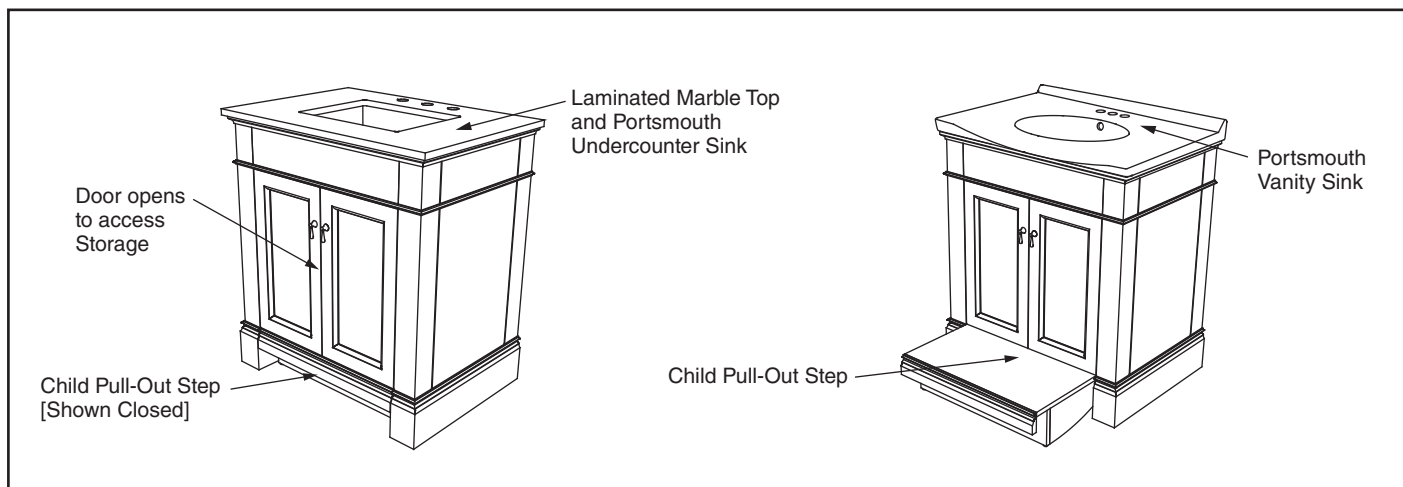
Marble is porous and easily stained. Wipe off anything spilled on it immediately. It should be washed or cleaned regularly with fresh warm water and a non-abrasive clean cloth. Also, using a non-abrasive, neutral (pH balanced) cleaner will help remove dirt and grime, but it is recommended to first try warm water only.

Marble should be sealed regularly with a good quality marble sealer. Marble sealers are available at most retail home supply stores. Follow the instructions on the sealer container for proper application and frequency of use. The sealer acts as a stain inhibitor and prevents most stains and soil from being absorbed into the porous surface, but it is NOT a guarantee against staining. All spills should be cleaned immediately. Avoid contact with all oils and petroleum-based products. Also, avoid contact with all acid or caustic products such as vinegar, citrus or fruit juices, soda, chlorine, and nail polish remover. If the marble is well sealed, the warm water and non-abrasive cloth should keep it clean.

## REPLACEMENT PARTS LIST 9210.030 Portsmouth 30" Vanity

VANITY TOP	RECOMMENDED SINKS	RECOMMENDED FAUCETS
9210.130 Laminated 31" Marble Top	0615.000 Portsmouth Undermount Sink	7005.201 Copeland Center Set Faucet
No additional top required for Portsmouth Vanity Top	7820.400 Portsmouth Vanity Top - 4" Centers 7820.800 Portsmouth Vanity Top - 8" Centers	7005.801 Copeland Widespread Faucet

REPAIR PART NO.	DESCRIPTION
730679-0070A	THREADER LEVELLER (1 PER PACK) FOR VANITY / STEP
770007-0070A	DOOR PULL - PORTSMOUTH 30" VANITY
770009-0070A	SHELF CLIPS FOR ADJUSTABLE SHELF



## AS AMERICA, INC. BATH FURNITURE LIMITED WARRANTY

If inspection of this AS America, Inc. ("American Standard") plumbing product, within one year after its initial purchase, confirms that it is defective in materials or workmanship, American Standard will repair or, at its option, exchange the product for a similar model. Variations in actual wood color and finishes which may result from natural characteristics of the wood, such as grain patterns, mineral streaks and the like, are not defects and are not covered by this limited warranty.

This limited warranty applies only to the original purchaser and installation of these products. In the event of a claim, proof of purchase will be required; save your receipt.

This limited limited warranty does not apply to local building code compliance. Since local building codes vary considerably, the purchaser of this product should check with a local building or plumbing contractor to insure local code compliance before installation.

This limited warranty is void if the product has been moved from its initial place of installation; if it has been subjected to faulty maintenance, abuse, misuse, accident or other damages; if it was not installed in accordance with American Standard's instructions; or if it has been modified in a manner inconsistent with the product as shipped by American Standard.

American Standard's option to repair or exchange the product under this limited warranty does not cover any labor or other costs of removal or installation, nor shall American Standard be responsible for any other incidental or consequential damages attributable to a product defect or to the repair or exchange of a defective product, all of which are expressly excluded from this limited warranty. This limited warranty does not cover any liability for consequential or incidental damages, all of which are hereby expressly disclaimed, or the extension beyond the duration of this limited warranty of any implied limited warranties, including those of merchantability or fitness for an intended purpose. (Some states or provinces do not allow the exclusion or limitation of implied limited warranties, so this exclusion may not apply to you).

This limited warranty gives you specific legal rights. You may have other statutory rights that vary from state to state or province to province, in which case this limited warranty does not affect such statutory rights.

## AS AMERICA, INC. MARBLE/GRANITE VANITY/TABLE TOP LIMITED WARRANTY

If inspection of this AS America, Inc. ("American Standard") plumbing product, within one year after its initial purchase, confirms that it is defective in materials or workmanship, American Standard will repair or, at its option, exchange the product for a similar model. Variations in shading, veining, and texture which may result from natural characteristics of stone and as such are not defects and are not covered by this limited warranty.

This limited warranty applies only to the original purchaser and installation of these products. In the event of a claim, proof of purchase will be required; save your receipt.

This limited limited warranty does not apply to local building code compliance. Since local building codes vary considerably, the purchaser of this product should check with a local building or plumbing contractor to insure local code compliance before installation.

This limited warranty is void if the product has been moved from its initial place of installation; if it has been subjected to faulty maintenance, abuse, misuse, accident or other damages; if it was not installed in accordance with American Standard's instructions; or if it has been modified in a manner inconsistent with the product as shipped by American Standard.

American Standard's option to repair or exchange the product under this limited warranty does not cover any labor or other costs of removal or installation, nor shall American Standard be responsible for any other incidental or consequential damages attributable to a product defect or to the repair or exchange of a defective product, all of which are expressly excluded from this limited warranty. This limited warranty does not cover any liability for consequential or incidental damages, all of which are hereby expressly disclaimed, or the extension beyond the duration of this limited warranty of any implied limited warranties, including those of merchantability or fitness for an intended purpose. (Some states or provinces do not allow the exclusion or limitation of implied limited warranties, so this exclusion may not apply to you).

This limited warranty gives you specific legal rights. You may have other statutory rights that vary from state to state or province to province, in which case this limited warranty does not affect such statutory rights.

### **In the United States:**

American Standard Brands  
P.O. Box 6820  
Piscataway, New Jersey 08855  
Attention: Director of Consumer Affairs

For residents of the United States, warranty information may also be obtained by calling the following toll free number: (800) 442-1902  
[www.americanstandard.com](http://www.americanstandard.com)

### **In Canada:**

AS Canada ULC  
5900 Avebury Rd.  
Mississauga, Ontario  
Canada L5R 3M3

Toll Free: (800) 387-0369  
[www.americanstandard.ca](http://www.americanstandard.ca)

### **In Mexico:**

American Standard B&K Mexico  
S. de R.L. de C.V.  
Via Morelos #330  
Col. Santa Clara  
Ecatepec 55540 Edo. Mexico  
Toll Free: 01-800-839-1200  
[www.americanstandard.com.mx](http://www.americanstandard.com.mx)

# ASSEMBLY & INSTALLATION INSTRUCTIONS

*American Standard*

Style That Works Better

## Portsmouth® Vanity Top 7820.400 & 7820.800

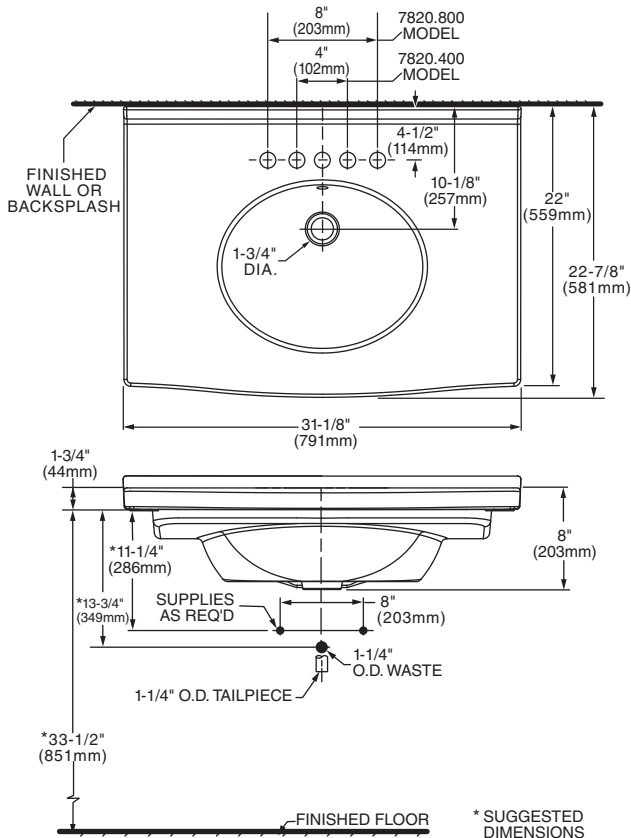
### Fits most 30" x 21" Vanity Bases

Thank you for selecting our products...products which have been the benchmarks of fine quality for over 100 years. To help insure that the installation process will proceed smoothly, please read these instructions carefully before you begin. Also, review the recommended tools and materials list; carefully unpack and examine your new plumbing fixture.

### Recommended Tools & Materials

Basin Wrench	Tubing Cutter	Channel Locks	Plumbers' Putty	Level
Adjustable Wrench	Putty Knife	Pipe Wrench	Silicone Caulk	Tape Measure

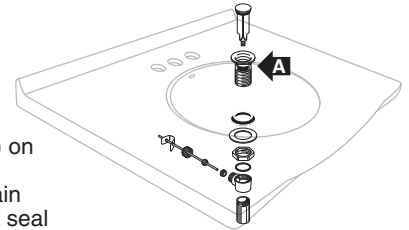
### Roughing-in Dimensions



### Vanity Installation

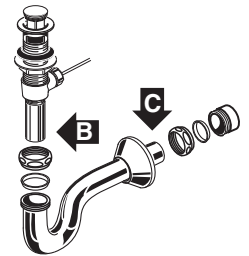
#### Two people recommended for this installation

Mount the drain assembly (not included) on the sink. Be certain to apply a bead of sealing putty on the underside of the drain (Part "A") in order to ensure a watertight seal between the sink and drain. Remove excess putty after installing the drain on the sink.



Apply a bead of silicone adhesive to the rim of the vanity. Place the top centered left to right on the vanity and with the back edge of the top even with the rear of the vanity. Apply a bead of silicone along the top back edge of the vanity top and the wall. Clean up any excess silicone.

Connect the trap to the drain assembly hand tight to check alignment. It may be necessary to cut off part of the tailpiece (area "B") or part horizontal leg of the trap (area "C").



Connect hot and cold supply lines to the shut off valves. Tighten trap joints for watertight assembly.

### CARE AND CLEANING

When cleaning your vanity top, wash it with mild, soapy water, rinse thoroughly with clear water and dry with a soft cloth. Avoid abrasive detergents, disinfectants, or cleaning products in aerosol cans.

### AS AMERICA, INC. ONE YEAR LIMITED WARRANTY

If inspection of this AS America, Inc. ("American Standard") plumbing product, within one year after its initial purchase, confirms that it is defective in materials or workmanship, American Standard will repair or, at its option, exchange the product for a similar model.

This limited warranty applies only to the original purchaser and installation of these products. In the event of a limited warranty claim, proof of purchase will be required—save sales receipt.

This limited warranty does not apply to local building code compliance. Since local building codes vary considerably, the purchaser of this product should check with a local building or plumbing contractor to insure local code compliance before installation.

This limited warranty is void if the product has been moved from its initial place of installation; if it has been subjected to faulty maintenance, abuse, misuse, accident or other damages; if it was not installed in accordance with American Standard's instructions; or if it has been modified in a manner inconsistent with the product as shipped by American Standard.

American Standard's option to repair or exchange the product under this limited warranty does not cover any labor or other costs of removal or installation. IN NO EVENT WILL AMERICAN STANDARD BE LIABLE FOR THE COST OF REPAIR OR REPLACEMENT OF ANY INSTALLATION MATERIALS, INCLUDING BUT NOT LIMITED TO, TILES, MARBLE, ETC. American Standard will not be responsible for any other incidental or consequential damages attributable to a product defect or to the repair or exchange of a defective product, all of which are expressly excluded from this limited warranty. This limited warranty does not cover any liability for consequential or incidental damages, all of which are hereby expressly disclaimed, or the extension beyond the duration of this limited warranty of any implied limited warranties, including those of merchantability or fitness for an intended purpose. (Some states or provinces do not allow the exclusion or limitation of implied limited warranties, so this exclusion may not apply to you.)

This limited warranty gives you specific legal rights. You may have other statutory rights that vary from state to state or from province to province, in which case this limited warranty does not affect such statutory rights.

#### In the United States:

American Standard Brands  
P.O. Box 6820  
Piscataway, New Jersey 08855  
Attention: Director of Consumer Affairs

For residents of the United States, warranty information may also be obtained by calling the following toll free number: (800) 442-1902  
[www.americanstandard.com](http://www.americanstandard.com)

#### In Canada:

AS Canada ULC  
5900 Avebury Rd.  
Mississauga, Ontario  
Canada L5R 3M3

Toll Free: (800) 387-0369  
[www.americanstandard.ca](http://www.americanstandard.ca)

#### In Mexico:

American Standard B&K Mexico  
S. de R.L. de C.V.  
Via Morelos #330  
Col. Santa Clara

Ecatepec 55540 Edo. Mexico  
Toll Free: 01-800-839-1200  
[www.americanstandard.com.mx](http://www.americanstandard.com.mx)



*American Standard*

# Installation Instructions

## PORTSMOUTH™ Spread Lavatory Faucet with Speed Connect™ Drain

Congratulations on purchasing your American Standard faucet with Speed Connect drain, a feature found only on American Standard faucets.

### Speed Connect Drain\*

- Fewer parts, installs in less time
- Never needs adjustment
- Guaranteed to seal properly the first time, every time.

**7420.801**  
**7420.821**  
**Series**

**7415.801**  
**7415.821**  
**Series**



Certified to comply with ANSI A112.18.1  
M965015 REV.1.7

\*Your new American Standard faucet is designed to work only with the Speed Connect drain. Helpful tips for removing your current drain can be found in the Troubleshooting section of these instructions.

**To ensure that your installation proceeds smoothly please read these instructions carefully before you begin.**

#### Recommended tools



Screwdriver



Channel Locks



Adjustable Wrench



Tubing Cutter

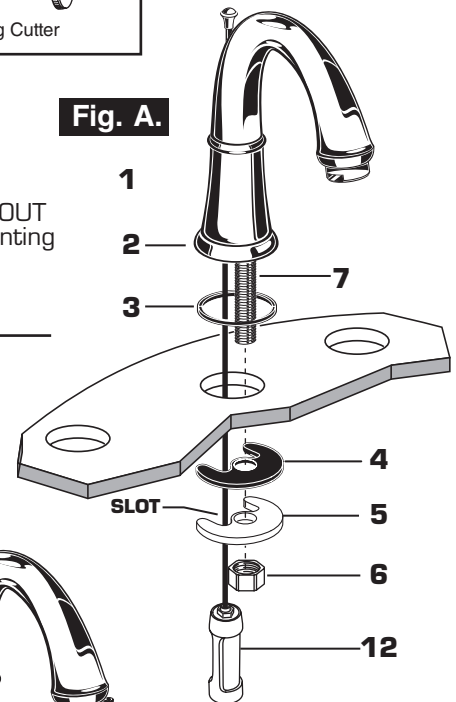
## 1 INSTALL SPOUT

### CAUTION

Turn off hot and cold water supplies before beginning.

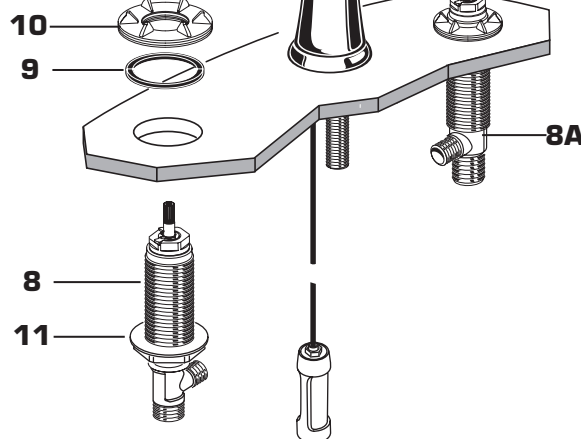
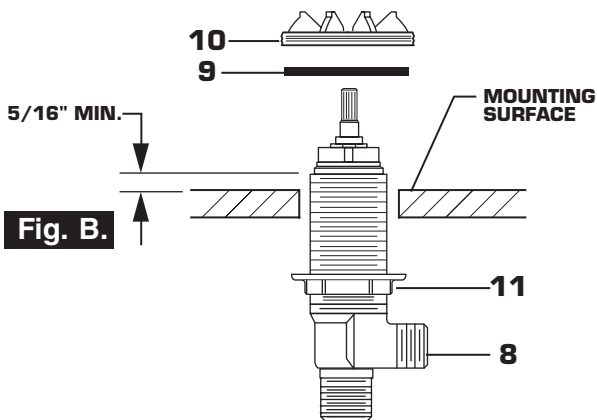
- Insert SPOUT (1) and CABLE CONNECTOR (12) through center hole, making sure the SEAL WASHER (3) is properly seated in the SPOUT ESCUTCHEON (2).
- Assemble RUBBER WASHER (4), BRASS WASHER (5) and LOCKNUT (6) onto SPOUT SHANK (7) from under side of sink. Make sure SPOUT (1) is centered in the mounting hole and the slot in the BRASS WASHER (5) faces toward the rear of the sink.
- Tighten LOCKNUT (6) firmly. Fig. A.

Fig. A.



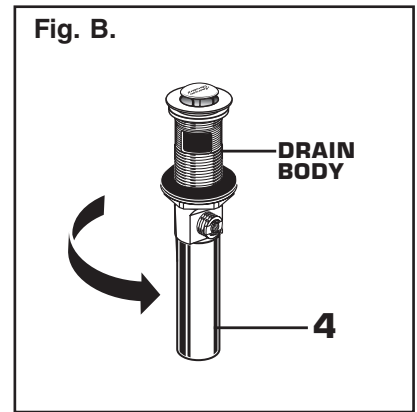
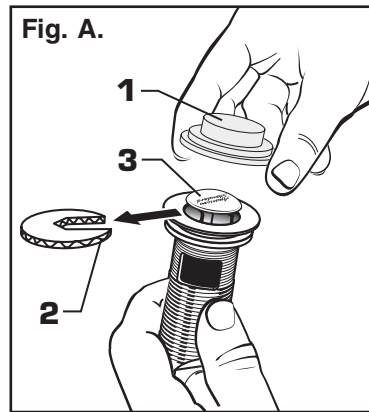
## 1A INSTALL VALVE BODY

- Place RUBBER RING (9) into ADAPTER (10).
- Install LOCKNUT (11) onto VALVE BODY (8). From under side of mounting surface, install VALVE BODY (8) through valve mounting holes. Threads of VALVE BODY (8) should extend at least 5/16 of an inch above mounting surface top. Fig. B. Thread ADAPTER (10) onto VALVE BODY (8) until snug against internal stop. If necessary, adjust LOCKNUT (11).
- Hand tighten LOCKNUT (11) to secure VALVE BODY (8). Repeat above steps for opposite VALVE BODY (8A).



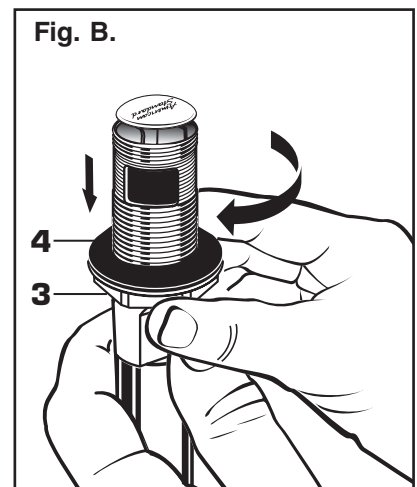
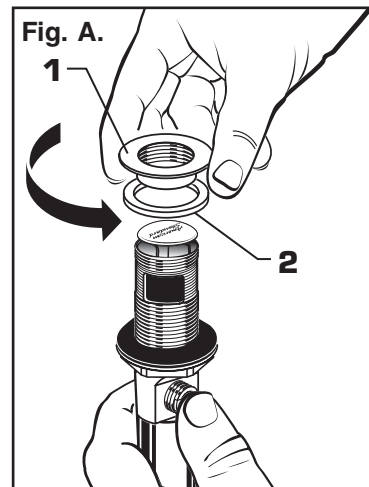
## 2 POP-UP DRAIN

- Remove CLEAR PLASTIC COVER (1).
- Remove CARDBOARD SPACER (2) from under DRAIN POP-UP (3).
- Tighten TAILPIECE (4) on DRAIN BODY before installing DRAIN BODY. Fig. B.



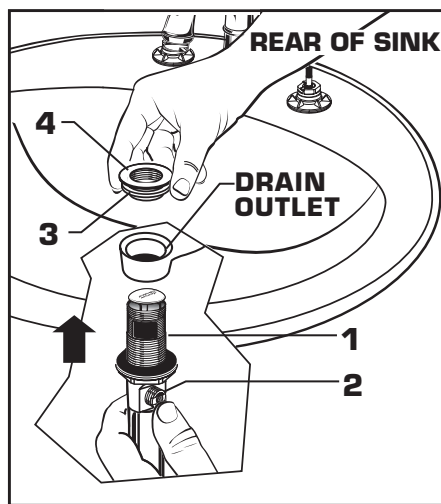
## 3 REMOVE FLANGE

- Thread FLANGE (1) counter-clockwise and remove FLANGE (1) and FOAM GASKET (2) from drain body. Fig. A.
- Thread LOCKNUT (3) clockwise to bottom of drain body. Push GASKET (4) down against LOCKNUT (3). Fig. B.



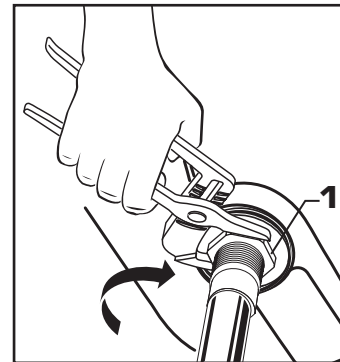
## 4 INSTALL DRAIN FROM BELOW FIXTURE

- From under side of SINK install DRAIN BODY (1) up through drain outlet.
- Note:** No plumber's putty or caulk is required. The CABLE ATTACHMENT POINT (2) must face towards the rear of the SINK.
- Install FOAM GASKET (3) and FLANGE (4) onto drain body from above SINK and tighten FLANGE (4) firmly.



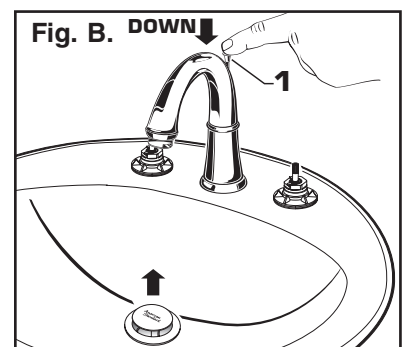
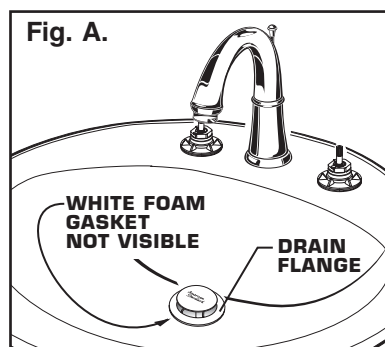
## 5 TIGHTEN LOCKNUT

- Tighten LOCKNUT (1) firmly with Adjustable Wrench or Channel Locks.



## 6 FLANGE GASKET AND POP-UP KNOB

- Check DRAIN FLANGE in SINK to ensure that WHITE FOAM GASKET (3) is fully compressed and not visible. Fig. A.
- POP-UP KNOB (1) must be fully down. Fig. B.



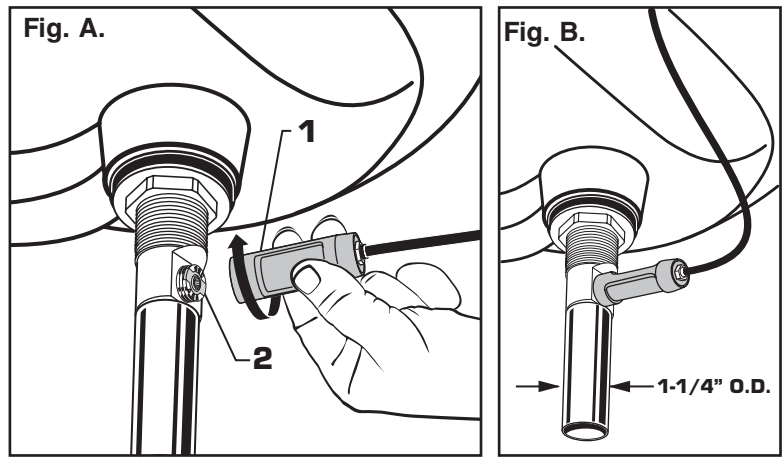


## 7 ATTACH CABLE CONNECTOR

- Thread CABLE CONNECTOR (1) clockwise onto DRAIN BODY CONNECTION (2) and hand tighten. Fig. A.

Your new POP-UP DRAIN installation is now complete. Fig. B.

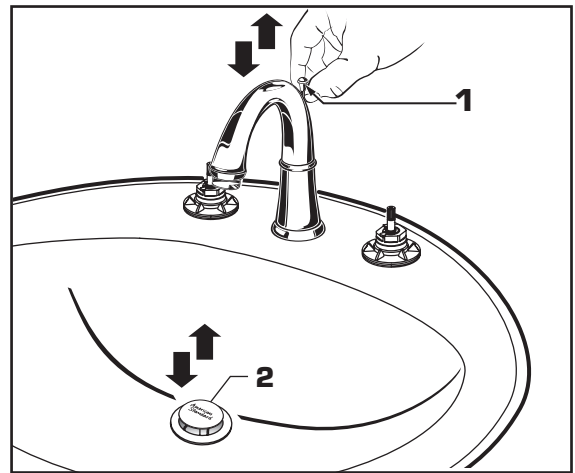
**Note:** Tailpiece on pop-up drain is 1-1/4" O.D. Fig. B.



## 8 CHECK OPERATION OF POP-UP

- Operate LIFT KNOB (1) to verify that STOPPER (2) opens and closes.

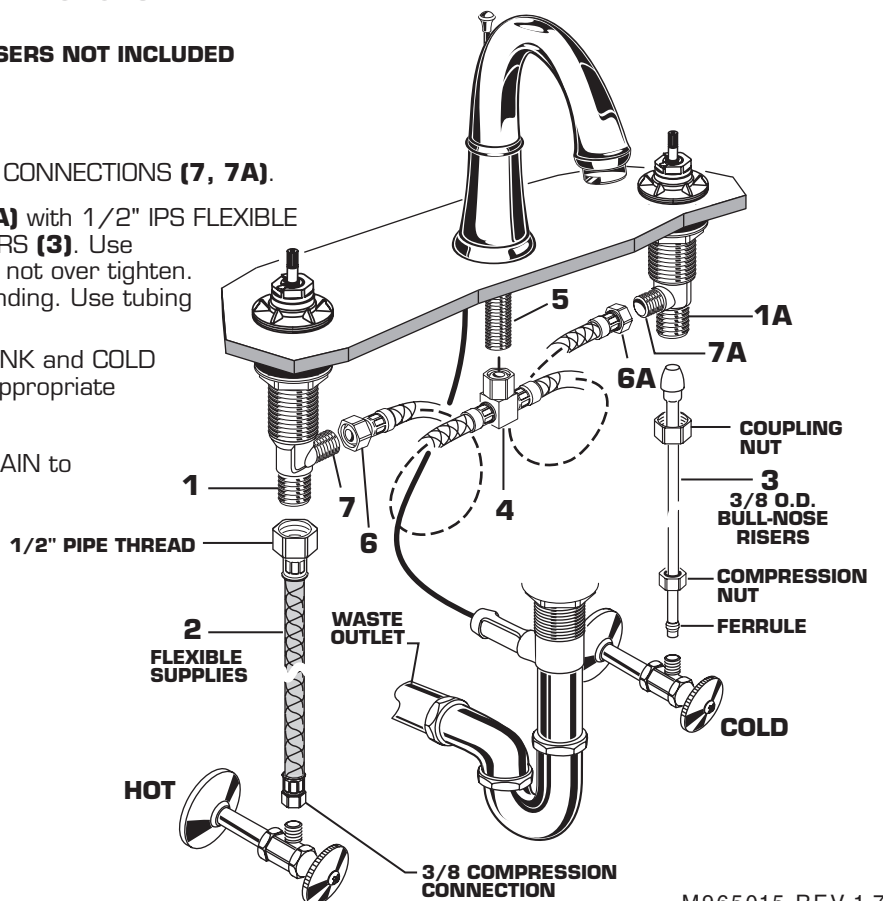
**Note:** If STOPPER (2) does not open and close properly then refer to the "troubleshooting section" of these instructions.



## 9 MAKE WATER SUPPLY AND WASTE CONNECTIONS

**NOTE: FLEXIBLE SUPPLIES OR BULL-NOSE RISERS NOT INCLUDED AND MUST BE PURCHASED SEPARATELY.**

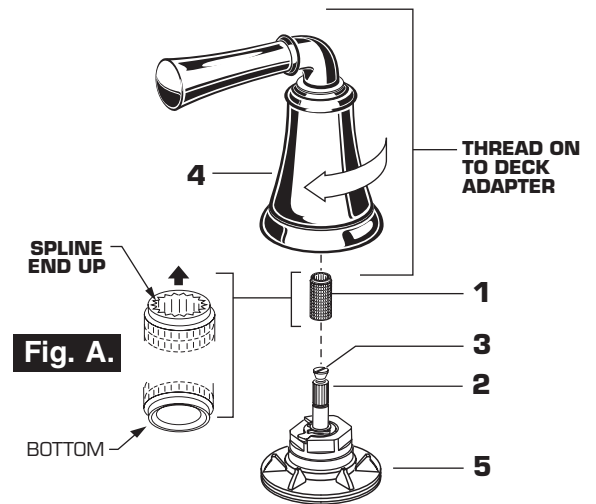
- Thread TEE BODY (4) to SPOUT SHANK (5).
- Thread HOSE CONNECTOR (6, 6A) to VALVE CONNECTIONS (7, 7A).
- Connect water supply to VALVE BODIES (1, 1A) with 1/2" IPS FLEXIBLE SUPPLIES (2) or 3/8" O.D. BULL-NOSE RISERS (3). Use adjustable wrench to tighten connections. Do not over tighten. Be careful not to kink copper supply when bending. Use tubing cutter to cut to proper length.
- Connect HOT water supply to inlet of left SHANK and COLD water supply to right SHANK using sealant, appropriate connectors, and COUPLING NUTS.
- Connect 1-1/4" O.D. tailpiece on POP-UP DRAIN to waste outlet.



M965015 REV.1.7

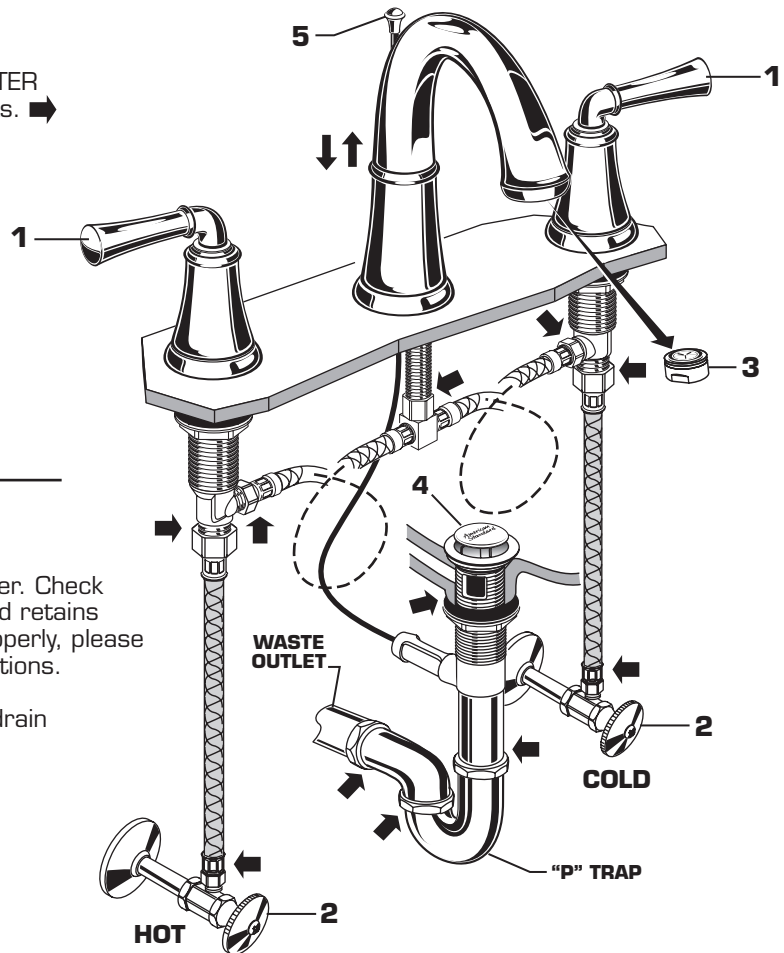
## 10 INSTALL HANDLES

- Push ADAPTER (1) on VALVE STEM (2), so that the hole of the ADAPTER (1) with the *spline* is facing up. **Fig. A.** Tighten STEM SCREW (3) to secure ADAPTER (1).
- Find correct position of LEVER HANDLE ASSEMBLY (4) by adjusting male teeth on ADAPTER (1) to female teeth in HANDLE (4).
- Thread LEVER HANDLE ASSEMBLY (4) onto DECK ADAPTER (5) until snug against mounting surface.



## 11 TEST INSTALLED FITTING

- With HANDLES (1) in OFF position, turn on WATER SUPPLIES (2) and check all connections for leaks. ➡
- Remove AERATOR (3).
- Operate both HANDLES (1) to flush water lines thoroughly.
- Replace AERATOR (3).



## 12 CHECK DRAIN CONNECTIONS

- Operate POP-UP KNOB (5) and fill Sink with water. Check that DRAIN STOPPER (4) makes a good seal and retains water in Sink. If STOPPER (4) does not seal properly, please refer to "Troubleshooting Guide" in these instructions.
- Release POP-UP KNOB (5) down and check all drain connections and "P" trap for leaks. ➡ Tighten if necessary.

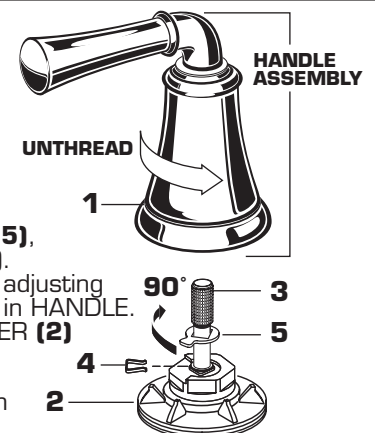
## 13 CARE INSTRUCTIONS:

**DO: SIMPLY RINSE THE PRODUCT CLEAN WITH CLEAR WATER. DRY WITH A SOFT COTTON FLANNEL CLOTH.**

**DO NOT: DO NOT CLEAN THE PRODUCT WITH SOAPS, ACID, POLISH, ABRASIVES, HARSH CLEANERS, OR A CLOTH WITH A COARSE SURFACE.**

## 14 SERVICE (all models)

- To change direction of handle rotation, proceed as follows:
  - Turn valve to OFF position. Unthread HANDLE BASE (1) from DECK ADAPTER (2).
  - Pull HANDLE ASSEMBLY off VALVE STEM (3).
  - Remove SPRING CLIP (4). Lift STOP WASHER (5), turn 90° and replace. Replace SPRING CLIP (4).
  - Find correct position of HANDLE ASSEMBLY by adjusting male teeth on VALVE STEM (3) to female teeth in HANDLE.
  - Thread HANDLE ASSEMBLY onto DECK ADAPTER (2) until snug against mounting surface.
- If spout drips, operate handles several times from OFF to ON position. Do not force - handles turn only 90°.



M965015 REV.1.7

## Speed Connect™ Drain Troubleshooting Guide

**If sink does not hold water even though Stopper is in the “down” position:**

- Follow CABLE ADJUSTMENT PROCEDURE.

**If Stopper does not raise up fully or sink drains too slowly:**

- Follow CABLE ADJUSTMENT PROCEDURE.

**If you need to remove the Stopper:**

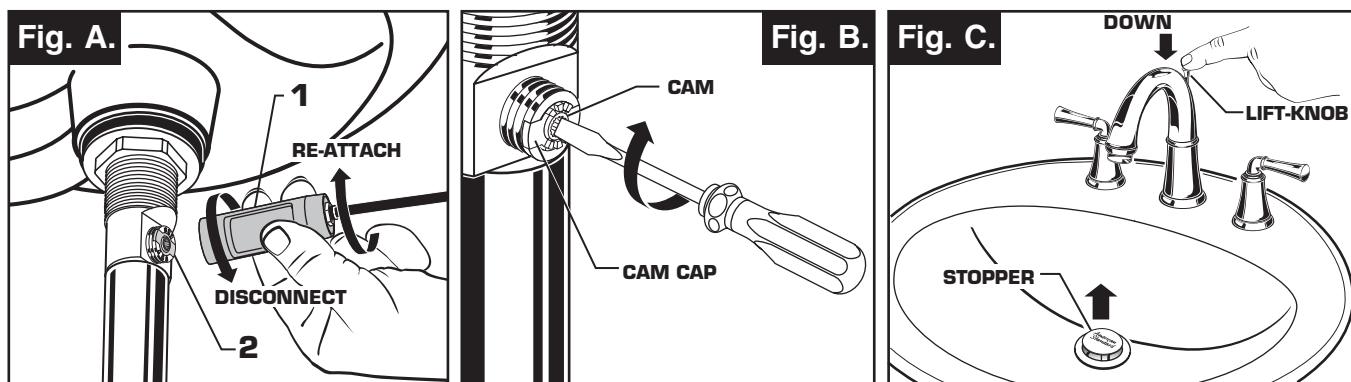
- Follow STOPPER REMOVAL PROCEDURE.

**If you would like the ability to remove your Stopper simply by lifting it out of the drain:**

- Follow STOPPER INSTALLATION PROCEDURE for “Unlocked” mode.

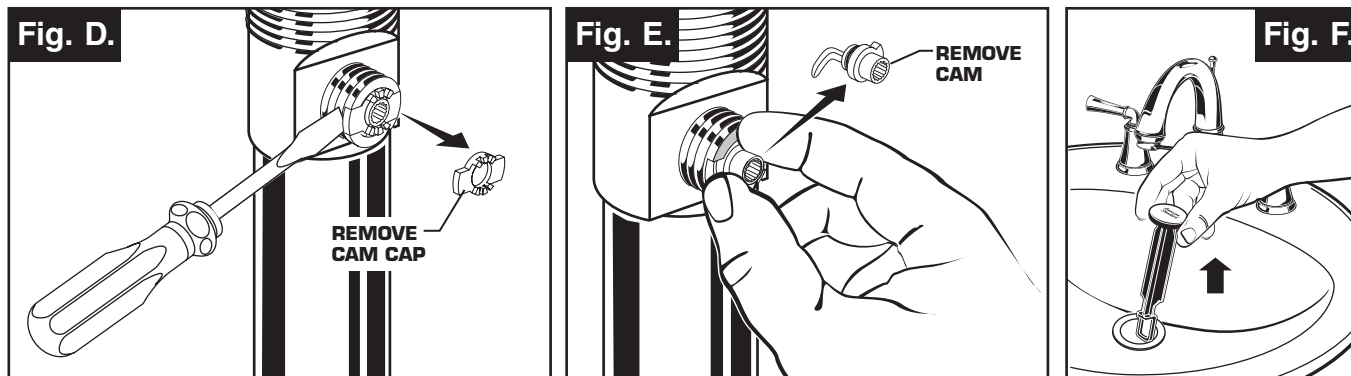
### CABLE ADJUSTMENT PROCEDURE

- Disconnect the Cable from the Drain by threading the Cable Connector **(1)** counter-clockwise. **Fig. A.**
- Look at the area on the Drain Body where the Cable was attached and locate the component labeled as “Cam” in the illustration. **Fig. B.**
- Use a small screwdriver to rotate the Cam in the clockwise direction as far as it will go. At this point the Stopper should be in the UP position. **Fig. B, C.**
- Push DOWN on the Lift-Knob to make sure it is fully down. **Fig. C.**
- Re-attach the Cable to the Drain Body Connection **(2)** by threading the Cable Connector **(1)** clockwise onto the Drain Body Connection **(2)** and hand-tighten. **Fig. A.**



### STOPPER REMOVAL PROCEDURE

- Disconnect the Cable from the Drain by threading the Cable Connector **(1)** counter-clockwise. **Fig. A.**
- Look at the area on the Drain Body where the Cable was attached and locate the component labeled as “Cam” and “Cam Cap” in the illustration. **Fig. B.**
- Use fingers or small screwdriver under either side of the Cam Cap to pry it out from the Drain. **Fig. D.**
- Remove the Cam by pulling it straight out while wiggling gently to loosen the Rubber Seal. **Fig. E.**
- The Stopper can now be removed by lifting it out of the Drain. **Fig. F.**

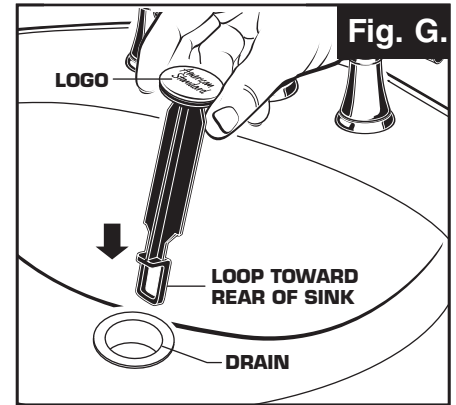


## STOPPER INSTALLATION PROCEDURE

The Stopper can be installed two ways, “Locked” Mode (Stopper cannot be removed) or “Unlock” Mode (Stopper is removable).

### Locked Mode:

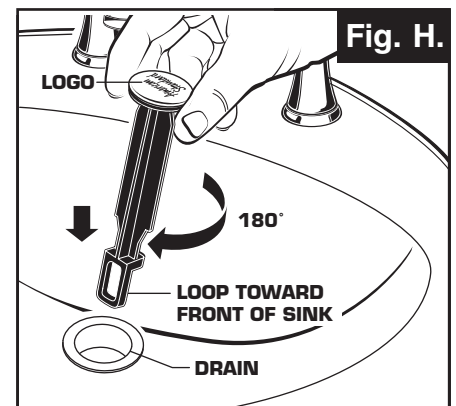
- Look at the Plastic Loop at the bottom of the Stopper and notice that the Loop is on one side of the Stopper. **Fig. G.**
- To install the stopper in “Locked” mode, insert the Stopper into the Drain so that the Plastic Loop is facing toward the **rear** of the Sink and the American Standard logo is facing **front**. Rotate Stopper slightly if necessary so that the Stopper slides all the way down. **Fig. G.**
- Re-install the Cam into the Drain, rotating the Cam if necessary to make sure it is fully inserted. **Fig. J.**
- Re-install the Cam Cap, making sure the guide teeth are facing outward. If the Cam Cap does not “snap” into place, then rotate the Cam to make sure it is fully inserted. **Fig. K.**
- Re-attach Cable. See “CABLE ADJUSTMENT PROCEDURE” in Troubleshooting Guide to complete installation. Stopper will be in “Locked” mode and not be removable.



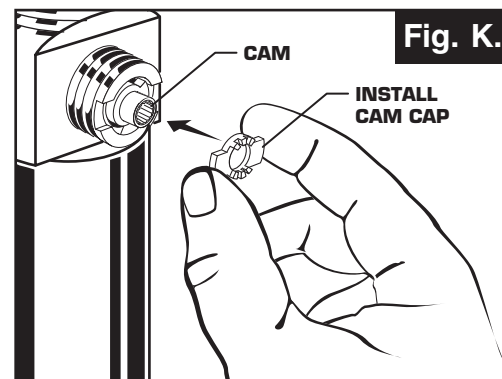
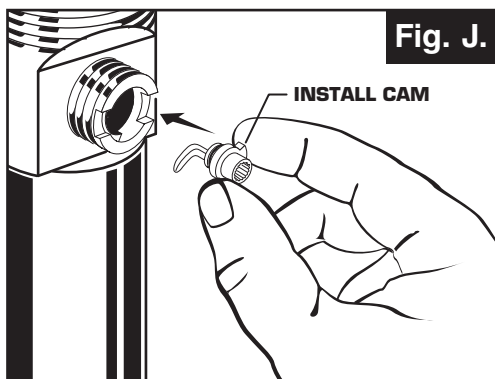
**Locked Mode  
(Vandal Proof)**

### Unlocked Mode:

- Look at the Plastic Loop at the bottom of the Stopper and notice that the Loop is on one side of the Stopper. **Fig. H.**
- To install the stopper in “Unlocked” mode, insert the Stopper into the Drain so that the Plastic Loop is facing toward the **front** of the Sink and the American Standard logo is facing **rear**. Rotate Stopper slightly if necessary so that the Stopper slides all the way down. **Fig. H.**
- Re-install the Cam into the Drain, rotating the Cam if necessary to make sure it is fully inserted. **Fig. J.**
- Re-install the Cam Cap, making sure the guide teeth are facing outward. If the Cam Cap does not “snap” into place, then rotate the Cam to make sure it is fully inserted. **Fig. K.**
- Re-attach Cable. See “CABLE ADJUSTMENT PROCEDURE” in “Troubleshooting Guide” to complete installation. Stopper will be in “Unlocked” mode and removable.



**Unlocked Mode**

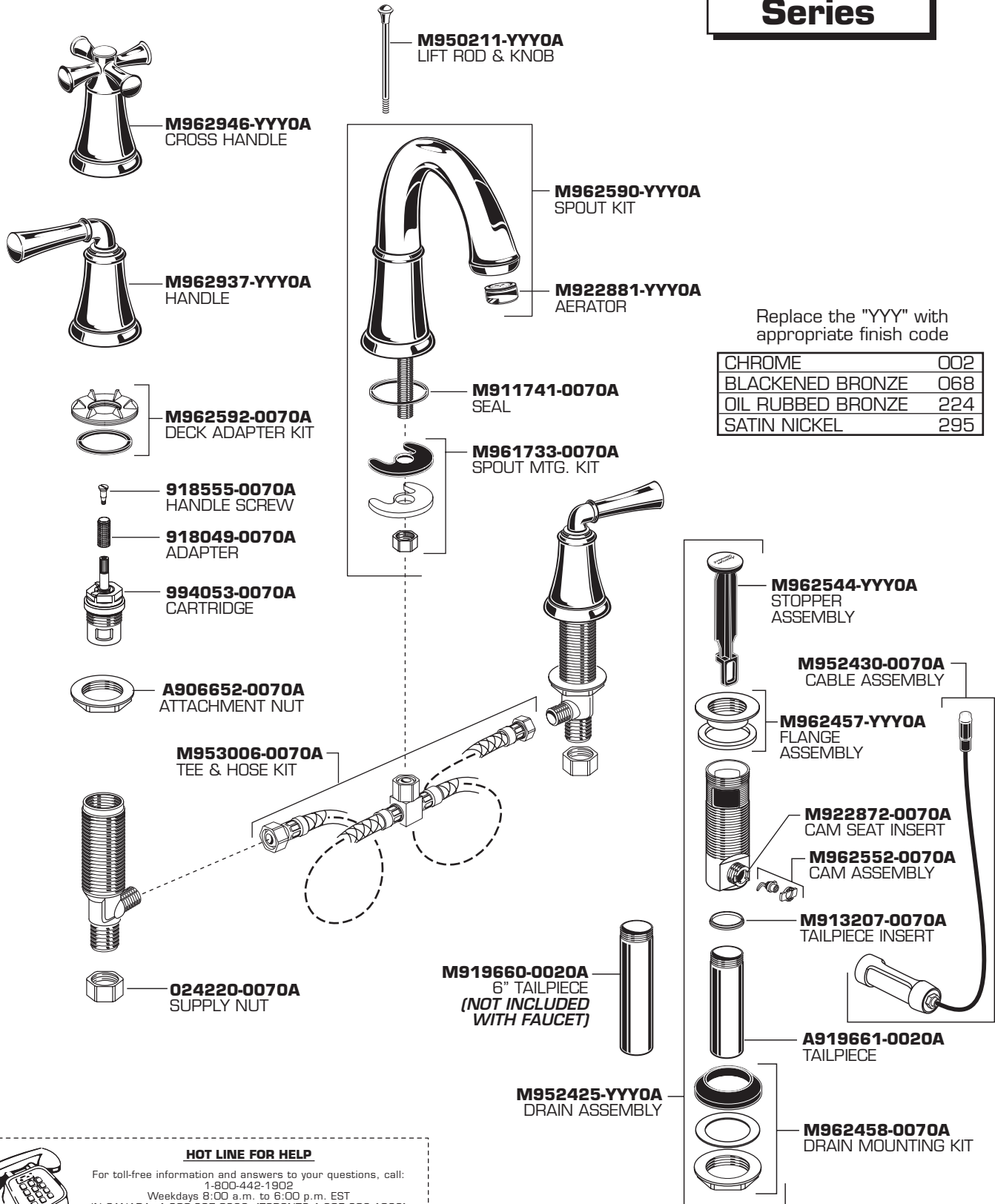


# American Standard

## PORTSMOUTH™ Spread Lavatory Faucet with Speed Connect™ Drain

MODEL NUMBER

**7420.801**  
**7420.821**  
**Series**



Replace the "YYY" with appropriate finish code

CHROME	002
BLACKENED BRONZE	068
OIL RUBBED BRONZE	224
SATIN NICKEL	295

### HOT LINE FOR HELP

For toll-free information and answers to your questions, call:  
1-800-442-1902  
Weekdays 8:00 a.m. to 6:00 p.m. EST  
IN CANADA 1-800-387-0369 (TORONTO 1-905-306-1093)  
Weekdays 8:00 a.m. to 7:00 p.m. EST  
IN MEXICO 01-800-839-1200



Product names listed herein are trademarks of American Standard Inc.  
© AS America, Inc. 2010

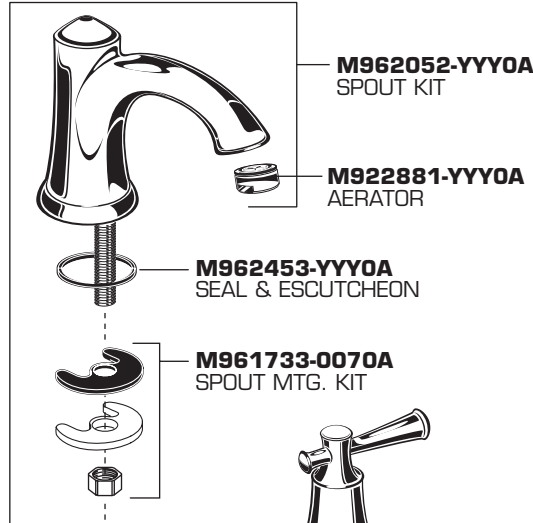
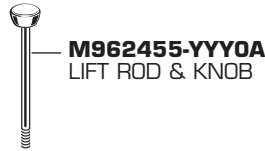
M965015 REV.1.7



## PORTSMOUTH™ Spread Lavatory Faucet with Speed Connect™ Drain

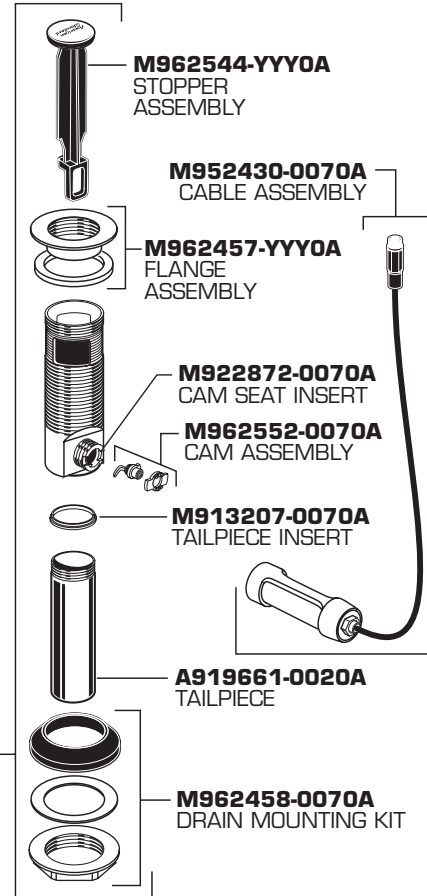
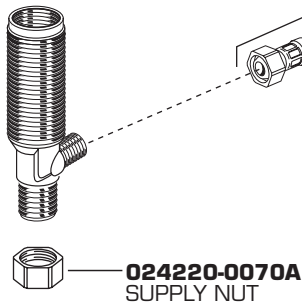
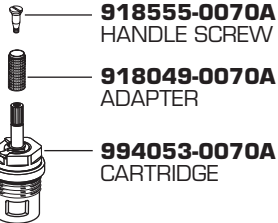
MODEL NUMBER

**7415.801**  
**7415.821**  
**Series**



Replace the "YYY" with appropriate finish code

CHROME	002
BLACKENED BRONZE	068
OIL RUBBED BRONZE	224
SATIN NICKEL	295



**HOT LINE FOR HELP**

For toll-free information and answers to your questions, call:  
1-800-442-1902  
Weekdays 8:00 a.m. to 6:00 p.m. EST  
IN CANADA 1-800-387-0369 (TORONTO 1-905-306-1093)  
Weekdays 8:00 a.m. to 7:00 p.m. EST  
IN MEXICO 01-800-839-1200