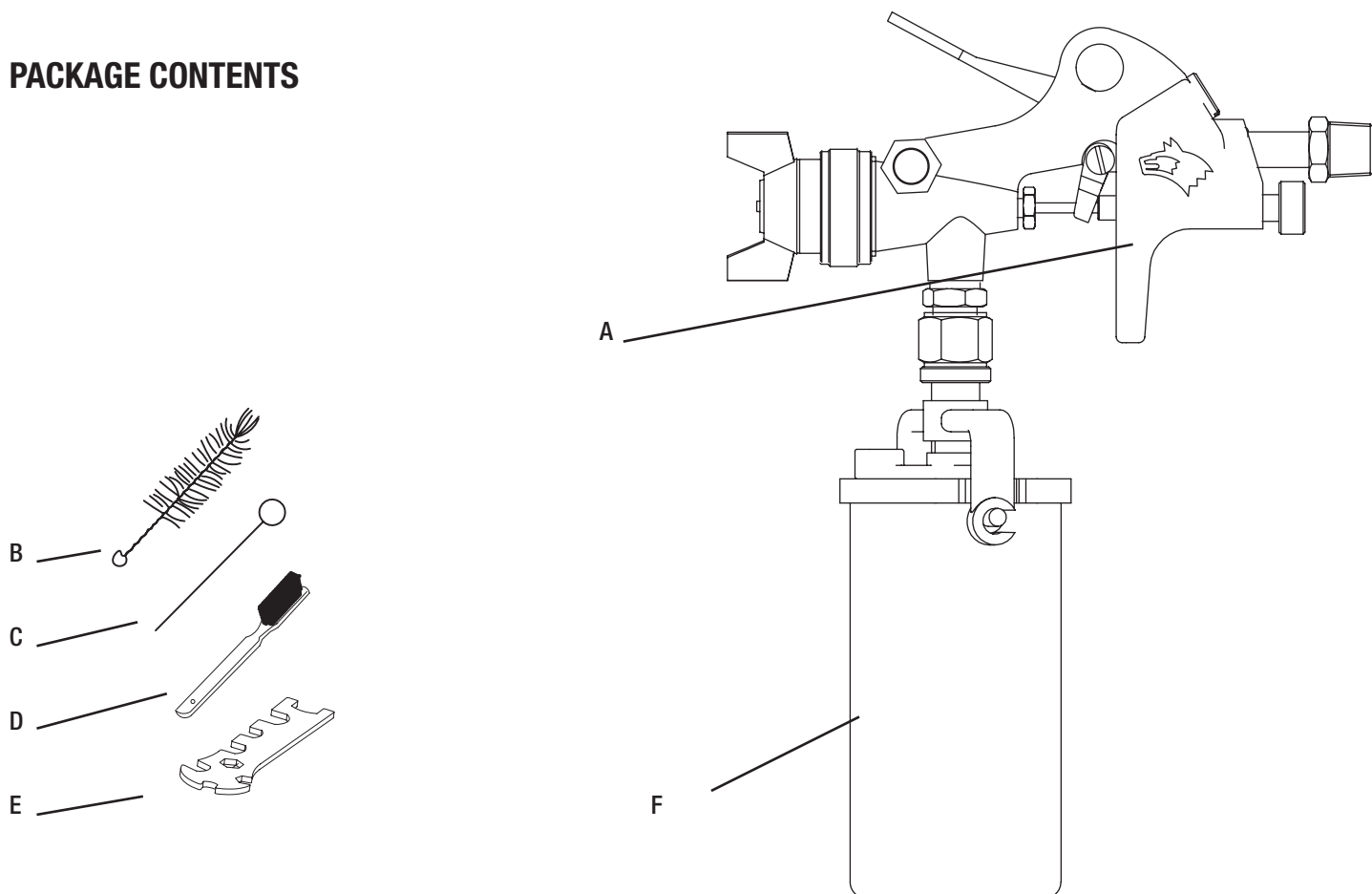


Pre-Installation

SPECIFICATIONS

Cup Size (CC)	Spray Pattern (in)	Tip Size (mm)	Weight (lbs)	Length (in)	Maximum Operating Pressure (PSI)	Air Cons. (SCFM)
200	1.2 - 5.9	1.8	.93	6.63	45	4

PACKAGE CONTENTS



Part	Description	Quantity
A	Spray Gun	1
B	Cleaning Brush	1
C	Needle	1
D	Soft Brush	1
E	Wrench	1
F	Paint Canister	1