

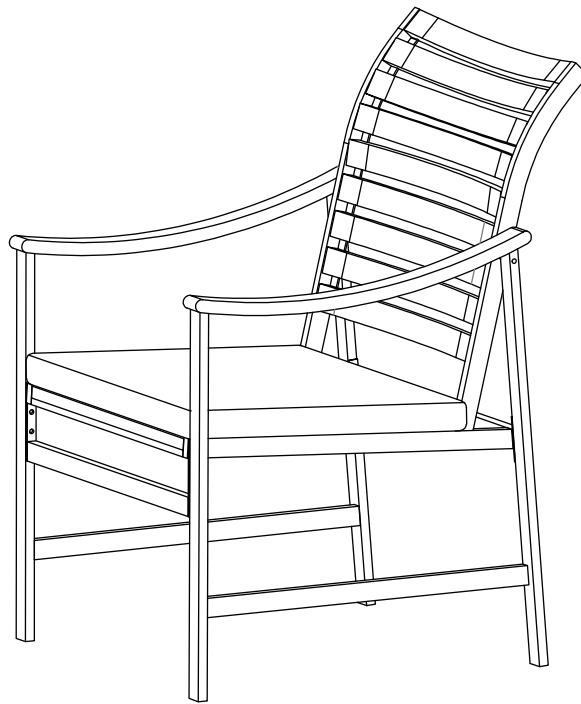
Item #741 695; 741 694
739 262



Model #HD17550
HD17511

USE AND CARE GUIDE

Plaza Mayor Dining Chair



Questions, problems, missing parts? Before returning to the store,
call Hampton Bay Customer Service
8:00 a.m. - 7:00 p.m., EST, Monday-Friday
9:00 a.m. - 6:00 p.m., EST, Saturday

1-855-HD-HAMPTON

HAMPTONBAY.COM


THANK YOU


We appreciate the trust and confidence you have placed in Hampton Bay through the purchase of this chair. We strive to continually create quality products designed to enhance your home. Visit us online to see our full line of products available for your home improvement needs. Thank you for choosing Hampton Bay!


Table of Contents


Table of Contents.....	2	Pre-Assembly.....	3-4
Safety Information.....	2	Planning Assembly.....	3
Warranty.....	2	Hardware Included.....	3
2 Year Frame Limited Warranty.....	2	Package Contents.....	4
1 Year Wood Component Limited Warranty.....	2	Assembly	5-6
What Is Covered?.....	2		
What Is Not Covered?.....	2		
Care Instructions.....	2		


Safety Information


 **DANGER:** Keep children out of the assembly area before assembly.

 **WARNING:** Do not stand on the chair.

 **WARNING:** Do not put heavy objects on the chair.

 **CAUTION:** Use the chair on flat ground only.

 **IMPORTANT:** Check the tightness of all bolts at least once every 90 days.

 **IMPORTANT:** Maintain the wood component with teak or linseed oil at least once every 30 days.

Warranty

2 YEAR FRAME AND 1 YEAR WOOD COMPONENT LIMITED WARRANTY

WHAT IS COVERED

We warrant the frame to be free of manufacturing defects to the original purchaser for two years and wood component for one year.

WHAT IS NOT COVERED

It remains the customer's responsibility for freight and packaging charges to and from our service center. This warranty does not cover commercial use, hardware, acts of nature, fire, freezing and abusive use. In addition, purchased parts are not covered under this warranty. We reserve the right to make substitutions with similar merchandise, if the model in question is no longer in production.

Care Instructions

Before using, wipe with a clean, dry cloth. Do not use bleach or solvents. Treat the frame with liquid wax for maximum protection against UV light and salty, damp air. When not in use, store furniture in a cool, dry place. If the set includes cushions or mesh fabric, they may be cleaned by hand with a mild solution of soap and water. Rinse cushions thoroughly and allow to drip dry. Do not machine wash or tumble dry, as cushions may shrink. Do not use bleach or solvents on fabrics. When cleaning the chair make sure to use a soft clean cloth that does not bleed color.

ADDITIONAL CARE INSTRUCTIONS FOR WOOD

Your patio furniture set contains natural, eucalyptus wood. If untreated, it will weather to a majestic, soft gray. However, it can be stained to maintain its rich tones. To maintain the new appearance, it is recommended to apply teak or linseed oil before you use, and occasionally throughout the season. For ideal care of your wood furniture, we recommend the following tips:

For daily care, wipe with a soft, dry cloth. Avoid the use of harsh cleaners and abrasives. Wipe spills immediately with a clean dry cloth. If there is a food stain or animal droppings wipe clean with a soft cloth and some warm water. Cover furniture with outdoor covers when left outside during inclement weather or when not in use. Please be sure you use a proper cover that allows for adequate ventilation without trapping moisture. In the off-season, store indoors.

You may contact our customer service department with any questions by phone at 1-855-HD-HAMPTON or visit www.hamptonbay.com.

Pre-Assembly

PLANNING ASSEMBLY

Assemble this product on a blanket, towel or other soft, non-abrasive surface to avoid scratching the finish.

HARDWARE INCLUDED



NOTE: Hardware not shown to actual size.



___ AA



___ BB



___ CC



___ DD

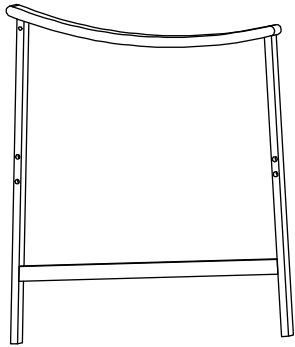


___ EE

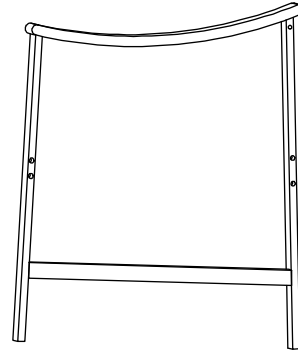
Part	Description	Quantity
AA	Bolt (M6 x 20 mm)	16
BB	Bolt (M6 x 40 mm)	4
CC	Metal Washer	20
DD	Allen Wrench (M6)	2
EE	Plastic Bolt Cap (M6)	20

Pre-Assembly (continued)

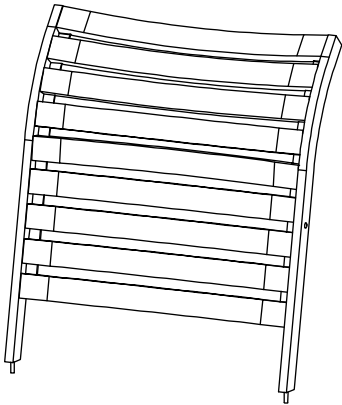
PACKAGE CONTENTS



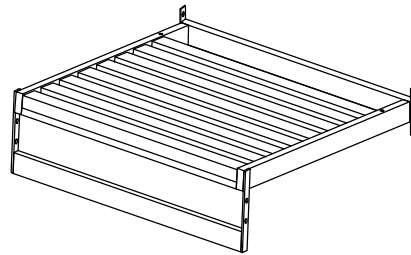
_____ A



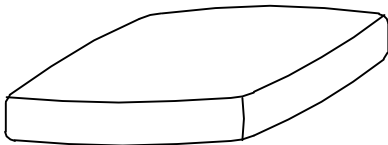
_____ B



_____ C



_____ D



_____ E

Part	Description	Quantity
A	Left Arm (When Sitting)	2
B	Right Arm (When Sitting)	2
C	Back	2
D	Seat	2
E	Seat Cushion	2

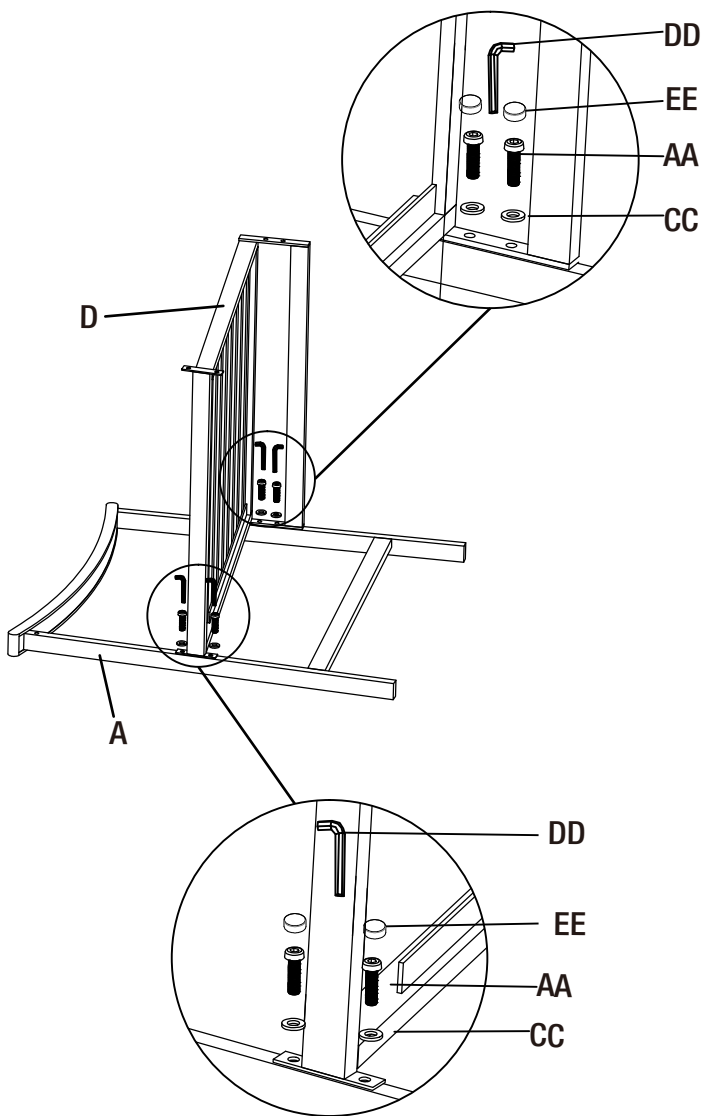
Assembly

1 Attaching the seat to the left arm

- Attach the seat (D) to the left arm (A) by inserting bolts (AA) with metal washers (CC) through the two pre-drilled holes.



IMPORTANT: Do not tighten completely until assembly is completed.

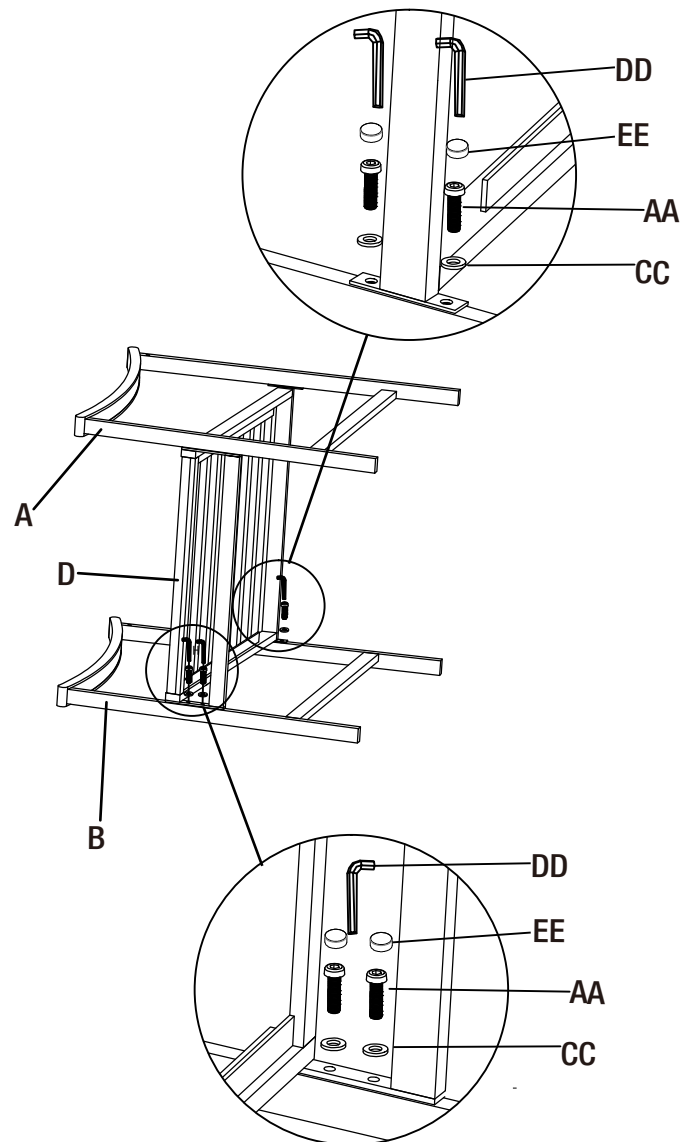


2 Attaching the seat to the right arm

- Repeat step 1 to attach the right arm (B).



IMPORTANT: Do not tighten completely until assembly is completed.



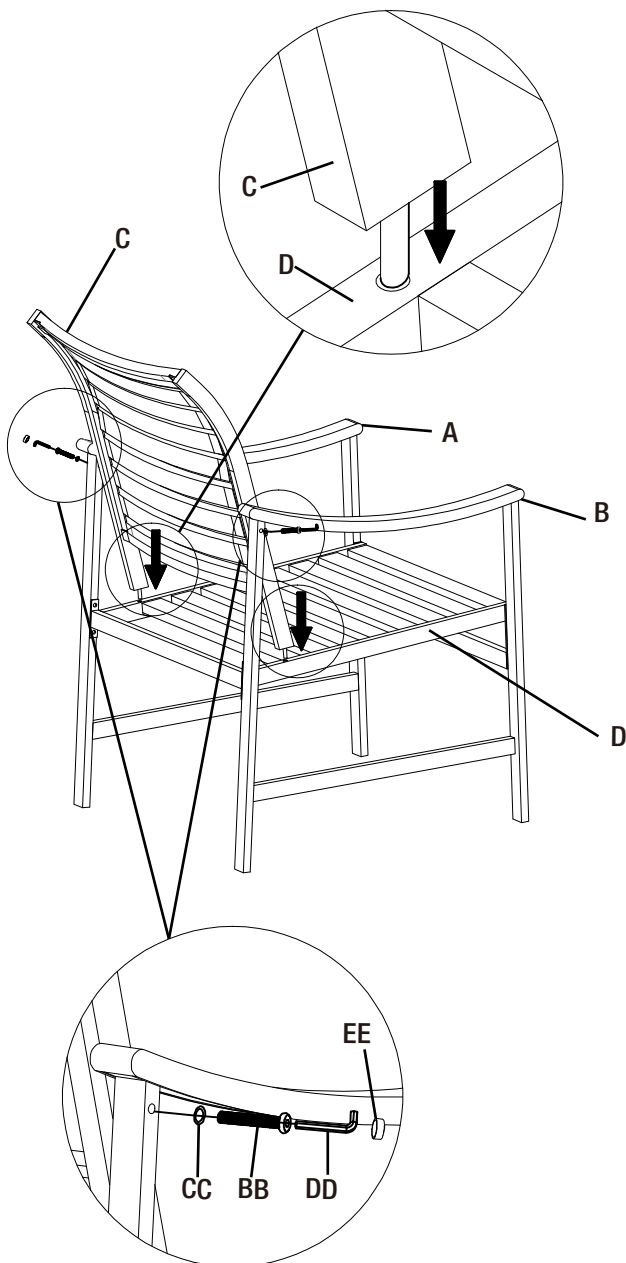
Assembly (continued)

3 Attaching the back to the seat

- Insert the back (C) to the pre-drilled holes on the rear area of the seat (D).
- Attach the right arm (B) by inserting bolts (BB) with metal washers (CC) through the pre-drill holes on the arm into the back (C).
- Repeat for the left arm (A).

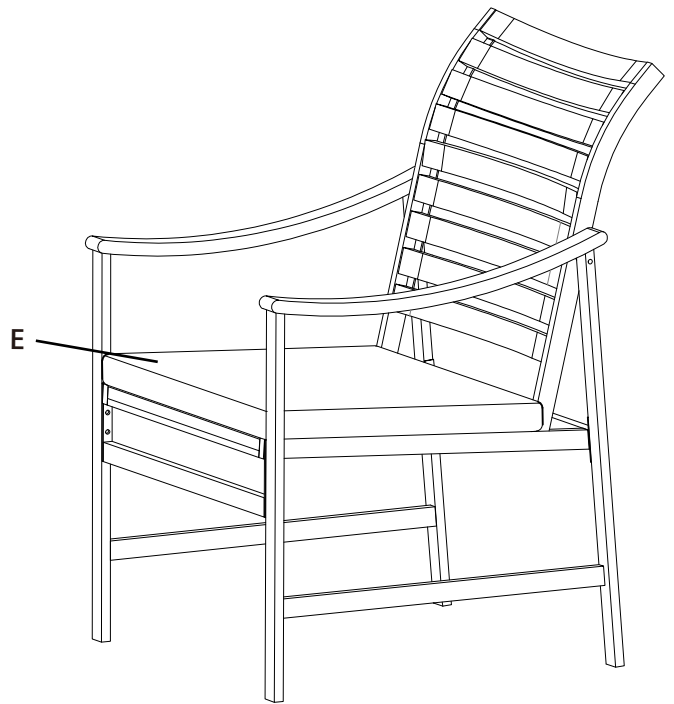


IMPORTANT: Do not tighten completely until assembly is completed.



4 Completing the assembly

- Tighten all bolts with the allen wrench (DD), and cover them with plastic bolt caps (EE). Place the seat cushion (E) on the chair and attach with velcro ties. Your chair is now ready for use, so relax & enjoy!



IMPORTANT: Your patio furniture set contains natural, eucalyptus wood. If untreated, it will weather to a majestic, soft gray. However, it can be stained to maintain its rich tones. To maintain the new appearance, it is recommended to apply teak or linseed oil before you use, and occasionally throughout the season.

For ideal care of your wood furniture, we recommend the following tips:

For daily care, wipe with a soft, dry cloth. Avoid the use of harsh cleaners and abrasives.

Wipe spills immediately with a clean dry cloth. If there is a food stain or animal droppings wipe clean with a soft cloth and some warm water.

Cover furniture with outdoor covers when left outside during inclement weather or when not in use.

Please be sure you use a proper cover that allows for adequate ventilation without trapping moisture.

In the off-season, store indoors.



Questions, problems, missing parts? Before returning to the store,
call Hampton Bay Customer Service

8:00 a.m. - 7:00 p.m., EST, Monday-Friday
9:00 a.m. - 6:00 p.m., EST, Saturday

1-855-HD-HAMPTON

HAMPTONBAY.COM

Retain this manual for future use.