

# Trex® Outdoor Furniture™

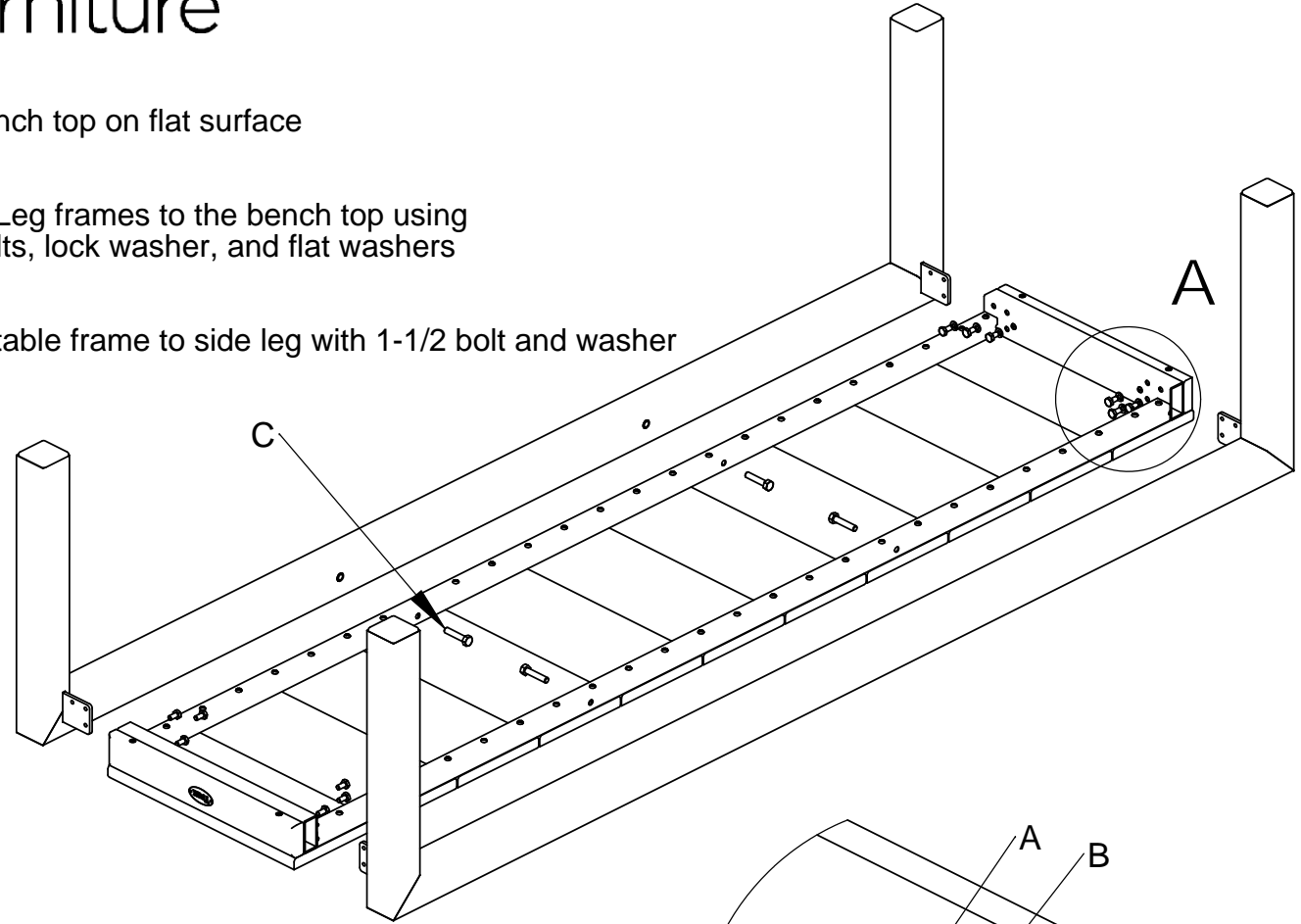
## Assembly Instructions Model: TX3810

- (1) Bench top with slats
- (2) Leg Frames
- (1) Hardware Pack

**Step 1**  
Lay Bench top on flat surface

**Step 2**  
Attach Leg frames to the bench top using  
(12) bolts, lock washer, and flat washers

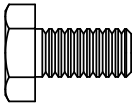
**Step 3**  
Attach table frame to side leg with 1-1/2 bolt and washer



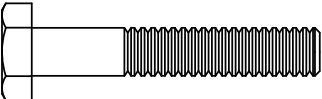
### TOOLS NEEDED

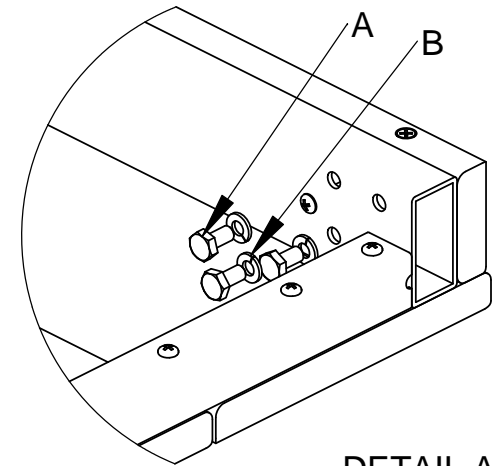
7/16 Wrench

Qty.	Description
------	-------------

12	 A - 1/4-20 X 1/2 HEX CAP SCREW
----	--

16	 B - 1/4" SPRING LOCK WASHER
----	---

4	 C - 1/4-20 X 1-1/2 HEX CAP SCREW
---	--



DETAIL A  
SCALE 1 : 3

ALL HARDWARE IS STAINLESS STEEL

03/19/2012