



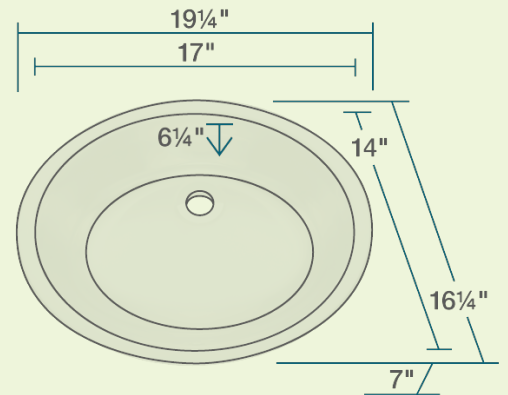
1917 Vanity Sink



Stainless Steel

Stainless Steel is the most popular choice for today's kitchens due to its clean look and durability. The beautiful brushed satin finish helps to hide small scratches that may occur over the lifetime of the sink. Our Stainless Steel sinks are made from high quality 14, 16, 18, 20 or 24 gauge steel. Most models are made of one piece construction that ensures the sturdiest kitchen sink you will find. Our sinks are made from 304 steel and are guaranteed not to rust or stain. Each sink is fully insulated and has a sound dampening pad. Our stainless steel sinks are backed by a limited lifetime warranty. Each sink comes with a cardboard cutout template and mounting hardware. This sink contains an overflow.

- 19 1/4" x 16 1/4" x 7"
- Undermount or Topmount Installation
- 18-Gauge Steel
- Certified High-Quality 304 Stainless Steel
- Brushed Satin Finish
- Offset Drain
- Fully Insulated
- Cardboard Cutout Template Included
- Installation Hardware Included
- cUPC Certified (Uniform Plumbing Code)
- Lifetime Warranty
- Rubber Gasket for Optional Topmount Installation



Accessories



*Accessories not included

UPC: 817299011378

Features

<p>Topmount or Undermount</p>	<p>21" Minimum Cabinet Size</p>	<p>18 Gauge</p> <p>14G </p> <p>16G </p> <p>18G </p>	<p>Cold Rolled Stainless Steel</p>	<p>Brushed Satin Finish</p>	<p>Cutout Template</p>
<p>Hardware Included</p>	<p>cUPC Certified</p>	<p>Limited Lifetime Warranty</p>			