

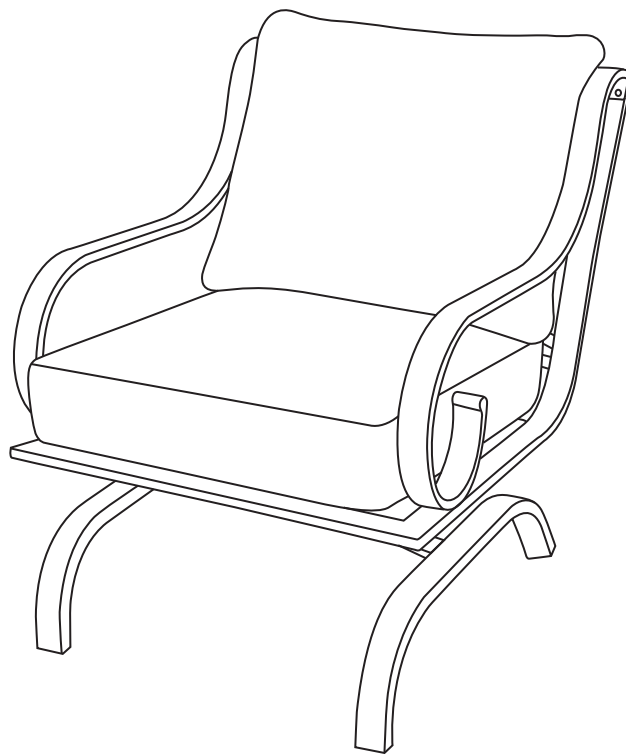


Item #:1003368601  
Model #: RTA699T

## USE AND CARE GUIDE

---

### South Grove 5pc Cushion Firepit Set



Questions, problems, missing parts? Before returning to the store,  
call Hampton Bay Customer Service.  
8 a.m. - 7 p.m., EST, Monday - Friday, 9 a.m. - 6 p.m., EST, Saturday

**1-855-HD-HAMPTON**

**HAMPTONBAY.COM**

---

#### **THANK YOU**

*We appreciate the trust and confidence you have placed in Hampton Bay through the purchase of this dining set. We strive to continually create quality products designed to enhance your home. Visit us online to see our full line of products available for your home improvement needs. Thank you for choosing Hampton Bay!*

# Table of Contents

Table of Contents.....	2	Chair Assembly.....	5
Safety Information .....	2	Care and Cleaning.....	8
Product Caution .....	2		
Safety Warnings .....	2		
Warranty .....	2		
What is Covered .....	2		
What is Not Covered .....	2		
Pre-Assembly .....	3		
Planning Assembly .....	3		
Hardware Included .....	3		
Chair Package Contents.....	4		

# Safety Information


## PRODUCT CAUTION


This set was made for the explicit purpose of providing outdoor functions and is not to be used as a toy. This product is intended for normal outdoor use; however, the manufacturer recommends storing and / or covering this set when any formidable / severe weather is approaching. Do not locate this product near open flames. Do not use this product as a support. Do not shake, lean or climb on the product. Children under the age of 10, near the product, should be supervised by a competent adult at all times.

## READ ALL INSTRUCTIONS BEFORE USE


To reduce the risk of injury to persons:

1. Close supervision is necessary when this furnishing is used by or near children, or disabled persons, if applicable.
2. Use this furnishing only for its intended use as described in these instructions. Do not use attachments not recommended by the manufacturer.

 **WARNING:** Weight limit for the chairs is 250 lb (113.39 kg) for each seat.

 **WARNING:** Please keep children out of the assembly area before assembly.

 **WARNING:** Do not place heavy objects on the chair.

 **CAUTION:** When not in use, secure the product in a cool and covered location.

# Warranty

## 3 YEAR FRAME AND 3 YEAR FABRIC LIMITED WARRANTY

### WHAT IS COVERED

We warrant the frames to be free of manufacturing defects to the original purchaser for 3 year.

### WHAT IS NOT COVERED

It remains the customer's responsibility for freight and packaging charges to and from our service center. This warranty does not cover commercial use, hardware, acts of nature, fire, freezing and abusive use. In addition, purchased parts are not covered under this warranty. We reserve the right to make substitutions with similar merchandise, if the model in question is no longer in production.

Contact the Customer Service Team at 1-855-HD-HAMPTON or visit [www.homedepot.com](http://www.homedepot.com)

# Pre-Assembly

## PLANNING ASSEMBLY

Read all instructions before assembly.

To avoid damaging this product, assemble it on a soft, non-abrasive surface such as carpet or cardboard.



**NOTE:** More than one person may be required to assemble this product.

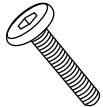
## HARDWARE INCLUDED



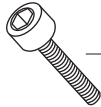
**NOTE:** Hardware not shown to actual size.



AA



BB



CC



DD



EE



FF



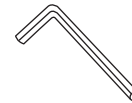
GG



HH



II



JJ

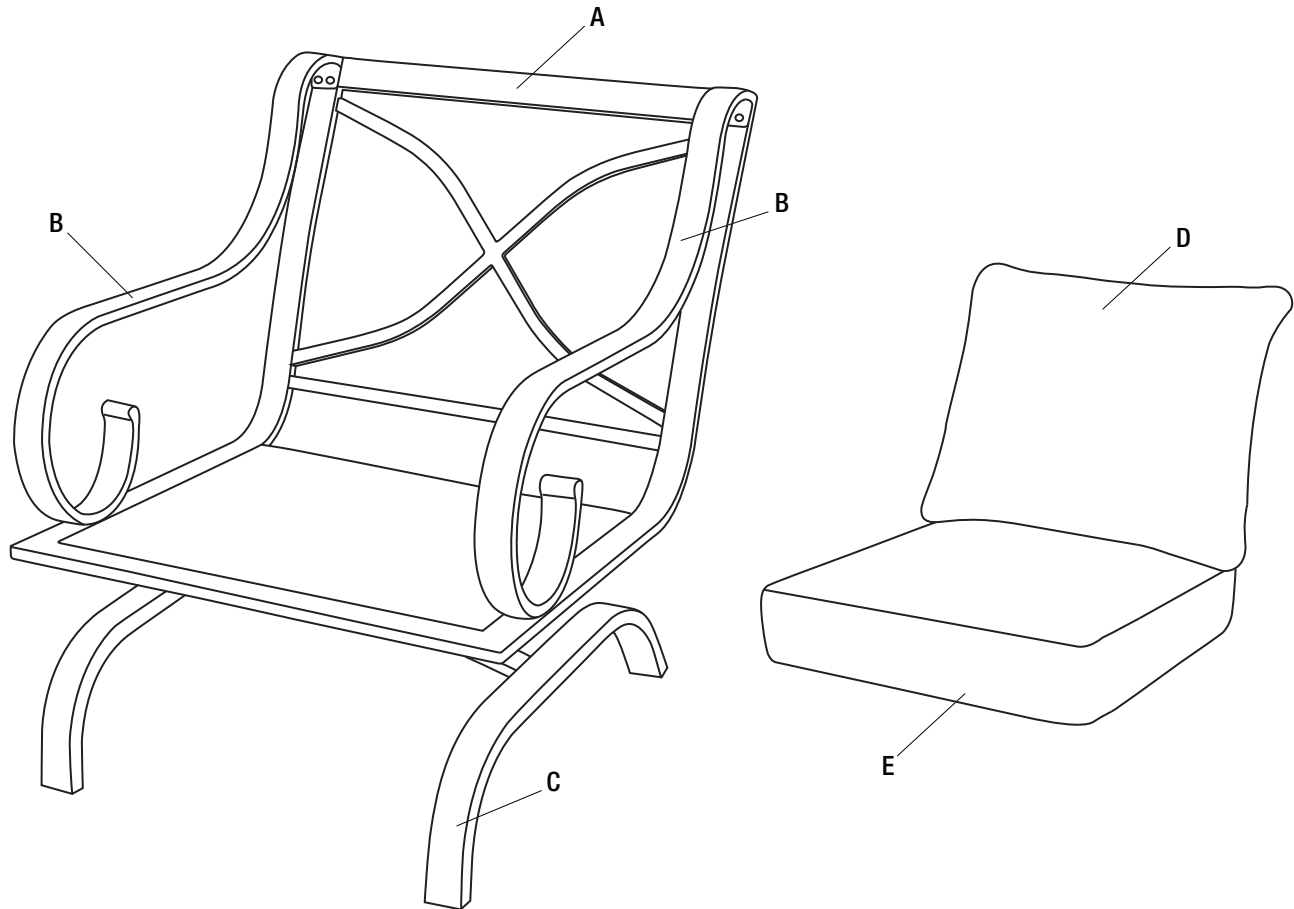


KK

Part	Description	Quantity
AA	M6x14 BOLT	4+1
BB	M6x25 BOLT	4+1
CC	M8x40 BOLT	4+1
DD	d6.5xD13x1.0 WASHER	4+1
EE	d8.5xD17x1.6 WASHER	8+1
FF	50x24x4 WASHER	2
GG	50x50x4 WASHER	2
HH	M8x1.25 JAM NUT	4+1
II	4 mm ALLEN KEY WRENCH	1
JJ	6 mm ALLEN KEY WRENCH	1
KK	10 & 13 mm ALLEN KEY WRENCH	1

# Pre-Assembly (continued)

## CHAIR PACKAGE CONTENTS



Part	Description	Quantity
A	Seat Assembly	1
B	Arm	2
C	Base Assembly	1
D	Back Cushion	1
E	Seat Cushion	1

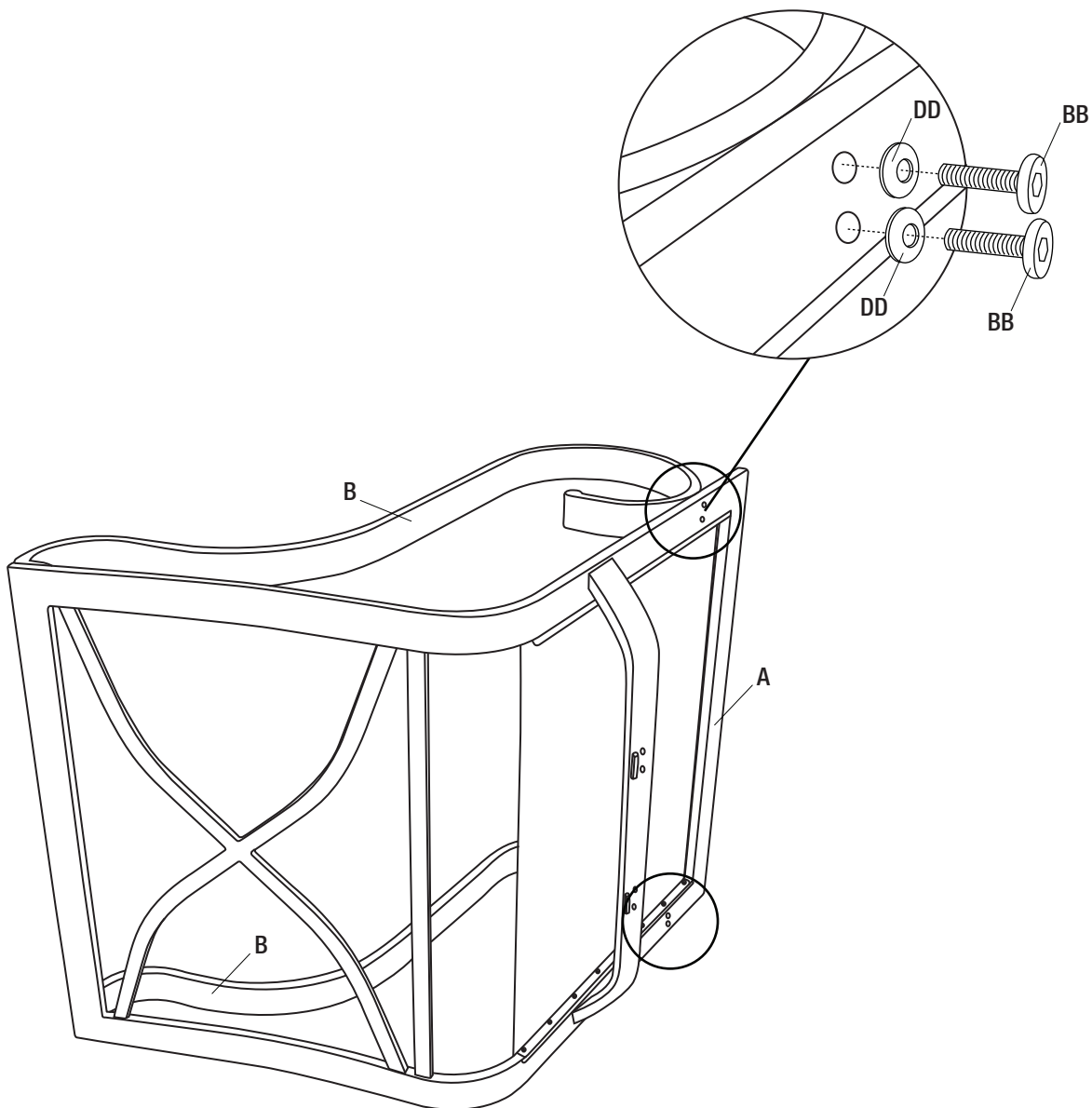
# Chair Assembly

## 1 Connecting the chair arm to the chair seat assembly

- Place the seat assembly (A) onto a non-abrasive surface, such as a carpet.
- Fasten the arms (B) to the seat assembly (A) by using M6x25 bolts (BB) and d6.5xD13x1.0 washers (DD).



**NOTE:** Loosely tighten all of the bolts using the hex wrench (H).



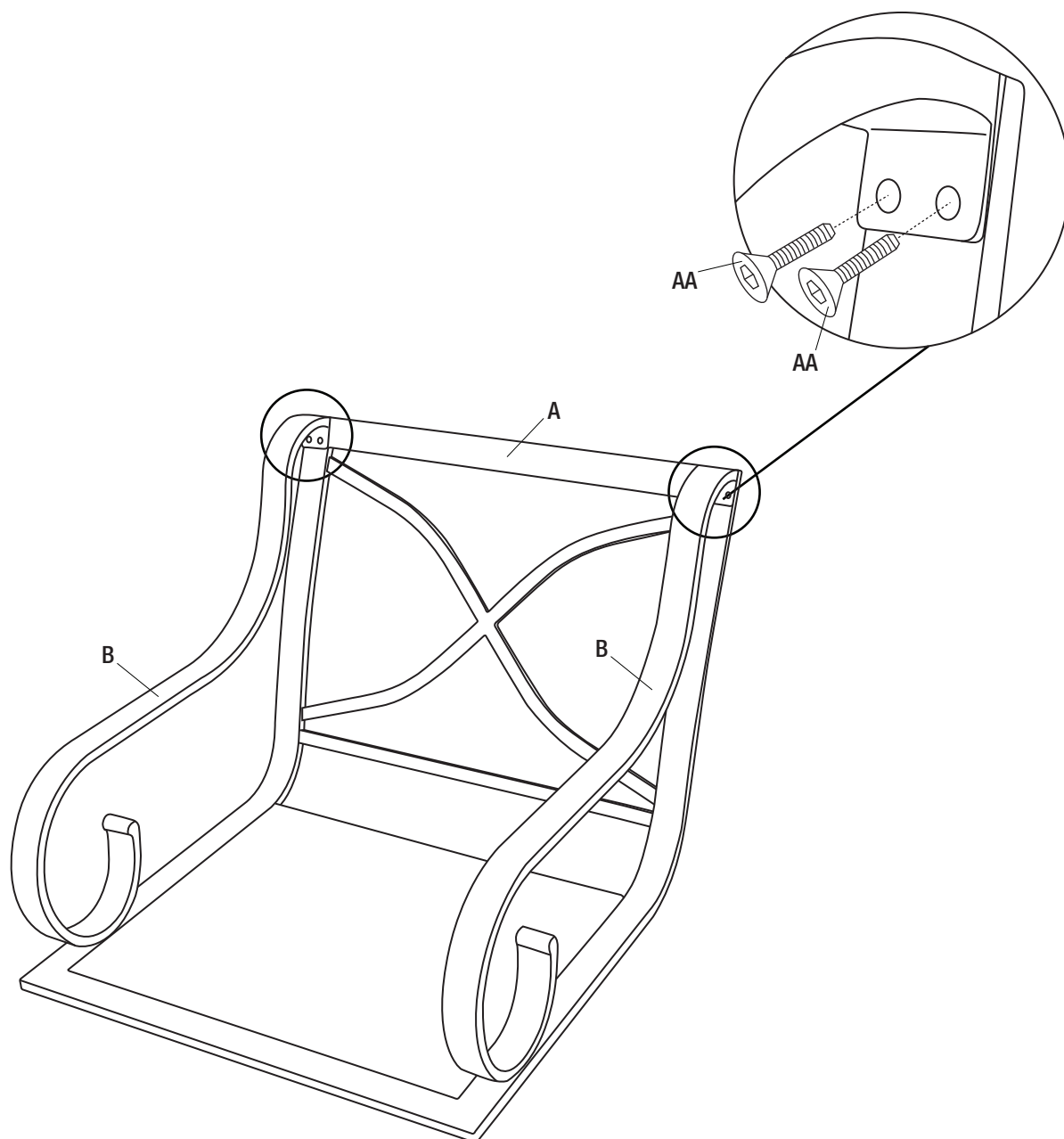
## Chair Assembly (continued)

### 2 Connecting the chair arm to the chair seat assembly

- Fasten the arms (B) to the seat assembly (A) by using M6x14 bolts (AA).



**NOTE:** Loosely tighten all of the bolts using the hex wrench (JJ).



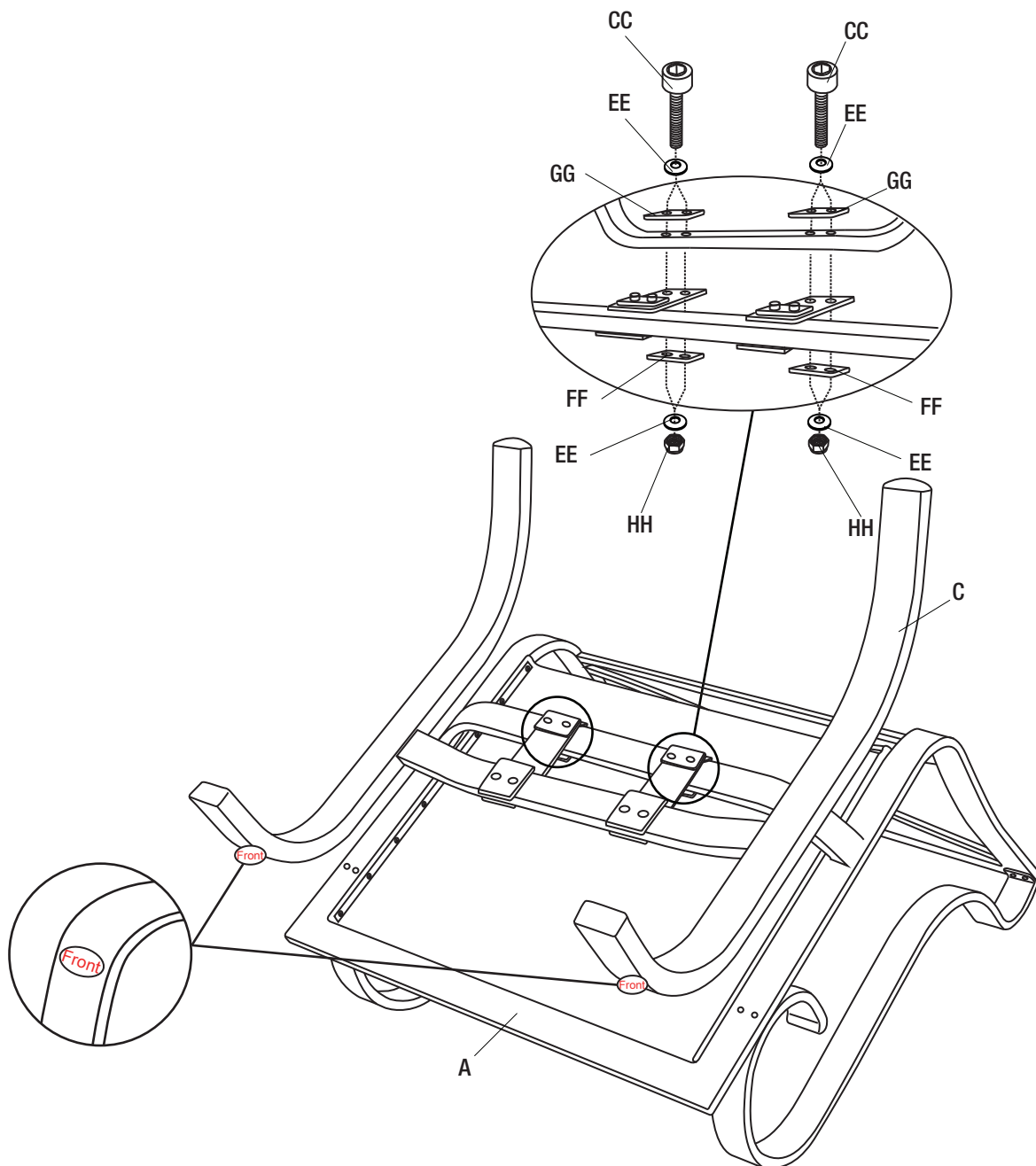
# Chair Assembly (continued)

## 3 Connecting the chair base assembly to the chair support frame

- Fasten the base assembly (C) to the seat assembly (A) by using M8x40 bolts (CC), d8.5xD17x1.6 washers (EE), 50x24x4 washers (FF), 50x50x4 washers (GG), M8x1.25 jam nuts (HH).



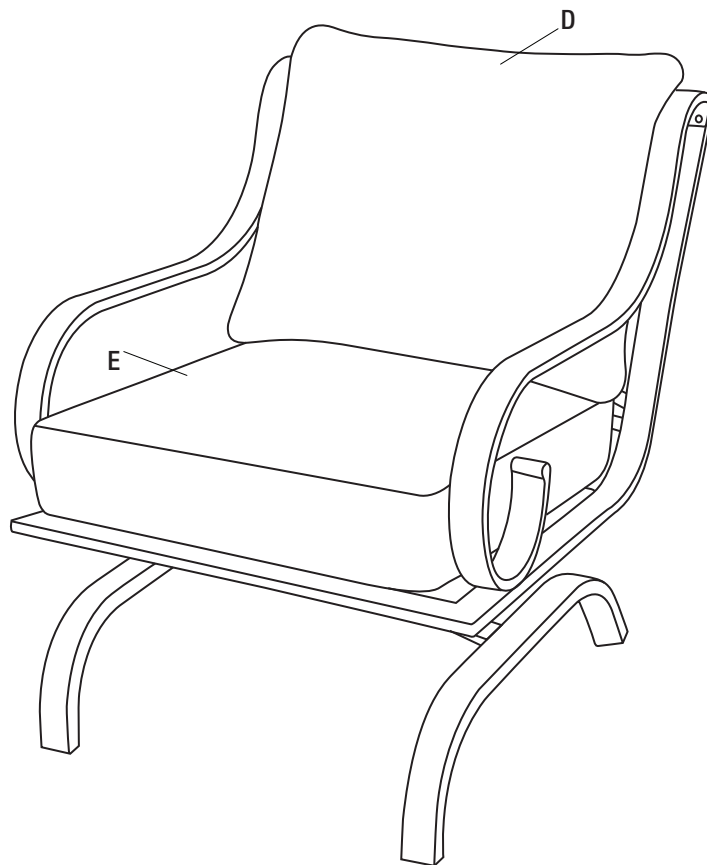
**NOTE:** 1) Loosely tighten all of the bolts using hex wrenches (JJ and KK).  
2) The labels marked "Front" on the base assembly (C) should coincide with step 3 to ensure proper assembly.



## Chair Assembly (continued)

### 4 Tightening the bolts

- Place cushions (E and F) onto the chair.
- Once all of the bolts are in place, fully tighten the bolts.
- Ensure all connections are secure before use.



## Care and Cleaning

- For best results, clean the set with a damp cloth and dry thoroughly. This will help prevent mildew by removing dirt particles that may accumulate.
- Do not clean with abrasive materials, bleach, or solvents.
- Store the set in a dry, sheltered place when not in use.
- Keep the set away from fire, extreme heat, freezing conditions, and inclement weather such as rain, hail, sleet, snow, or wind.





Questions, problems, missing parts? Before returning to the store,  
call Hampton Bay Customer Service.  
8 a.m. - 7 p.m., EST, Monday - Friday, 9 a.m. - 6 p.m., EST, Saturday

**1-855-HD-HAMPTON**

**HAMPTONBAY.COM**

Retain this manual for future use.