

88 5804 80

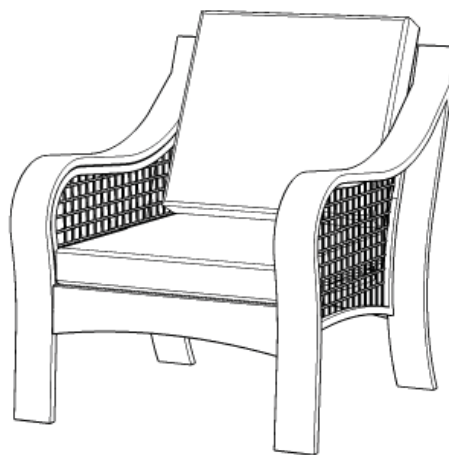
Lounge Chair

IMPORTANT NOTE

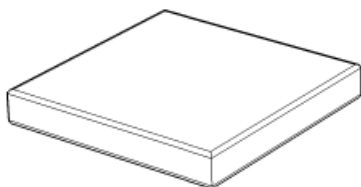
Carefully remove all the parts from the carton and put them individually on a soft cloth to prevent scratches or other damage occurring to the parts.

We have taken great care in the design of this product and request that you carefully and strictly follow our assembly instructions to ensure a completed product as it was designed.

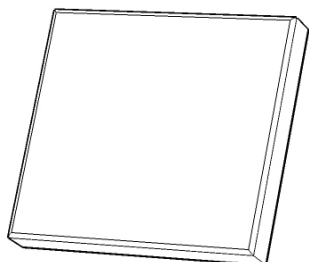
Home
Styles



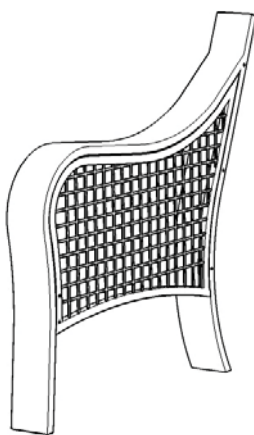
Part List



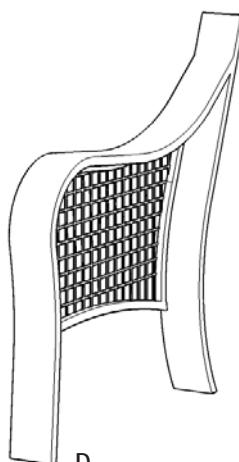
A.
Seat Cushion
1 Pc.



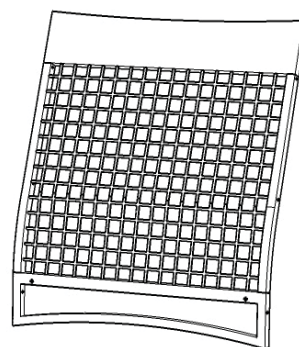
B.
Back Cushion
1 Pc.



C.
Side Frame
1 Pc.



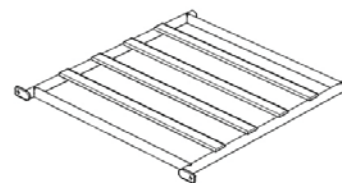
D.
Side Frame
1 Pc.



F.
Back Frame
1 Pc.



E.
Stretcher
1 Pc.



G.
Seat Frame
1 Pc.

Hardware List



Key Wrench
1 Pc.



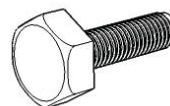
Spring Washer
14 Pcs. (+1 extra)



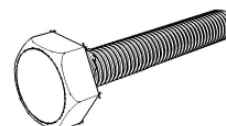
Flat Washer
14 Pcs. (+1 extra)



Cap
14 Pcs. (+1 extra)



M6x18
Bottl (short)
6 Pcs. (+1 extra)



M6x30
Bottl (long)
8 Pcs. (+1 extra)

Tools recommended for assembly : Level

Home Styles Consumer Assistance: www.homestyles-furniture.com,
servicedesk@homestyles-furniture.com, 888-680-7460, 877-831-0319

Assembly Instructions 2/3

IMPORTANT

- * Please keep Key Wrench in a safe place as you may need to tighten up the Bolts in the future.
- * Do not tighten up all the bolts until each part is properly assembled.
- * Use a soft cloth between these parts and the floor.
- * After assembly item must be level to work properly. Use the included adjustable levelers to level.

STEP 1

Attach Back Frame (F) to Side Frame (C) with Flat Washers, Spring Washers, Bolts (long) and Caps. (See Figure 1)

Attach Stretcher (E) to unit with Flat Washers, Spring Washers, Bolts (short) and Caps.

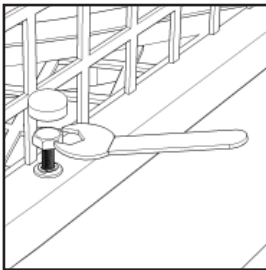
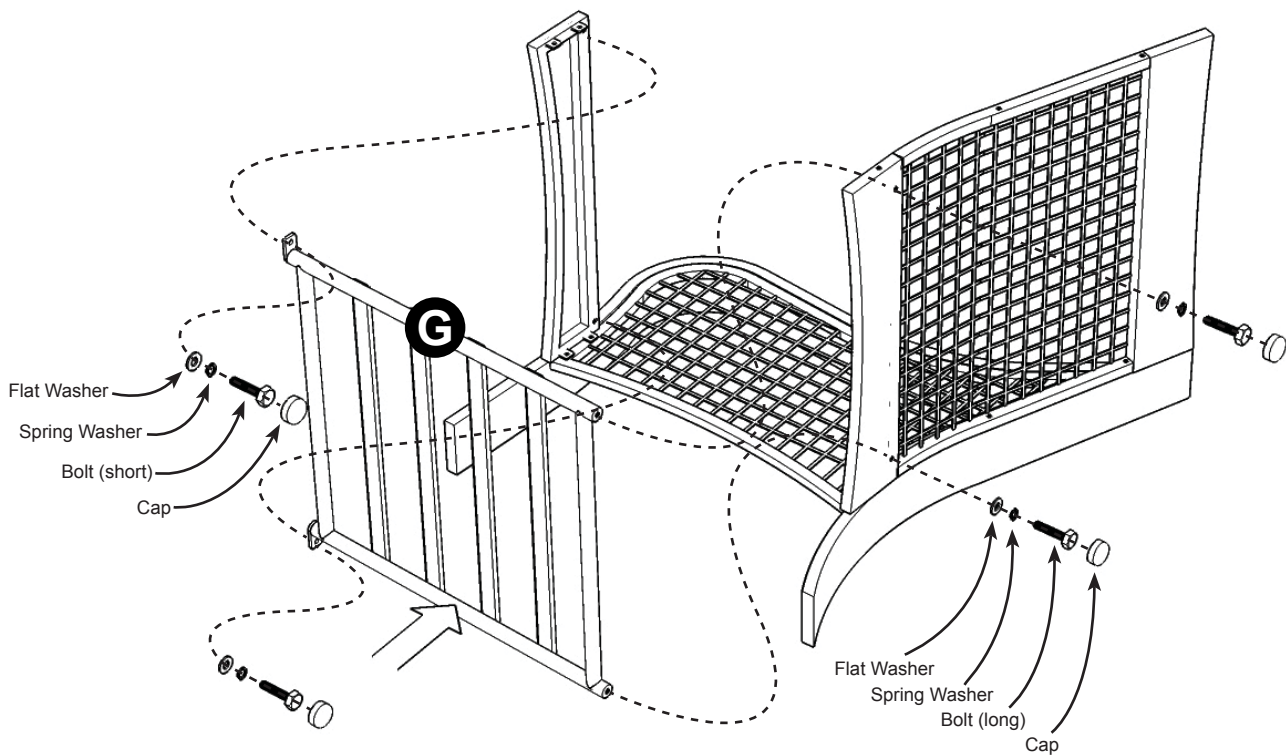
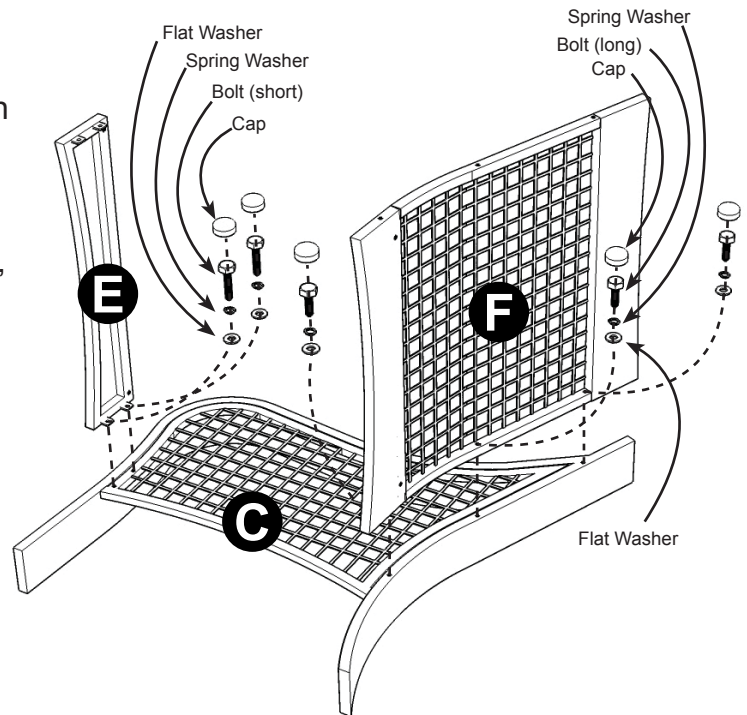


Figure 1



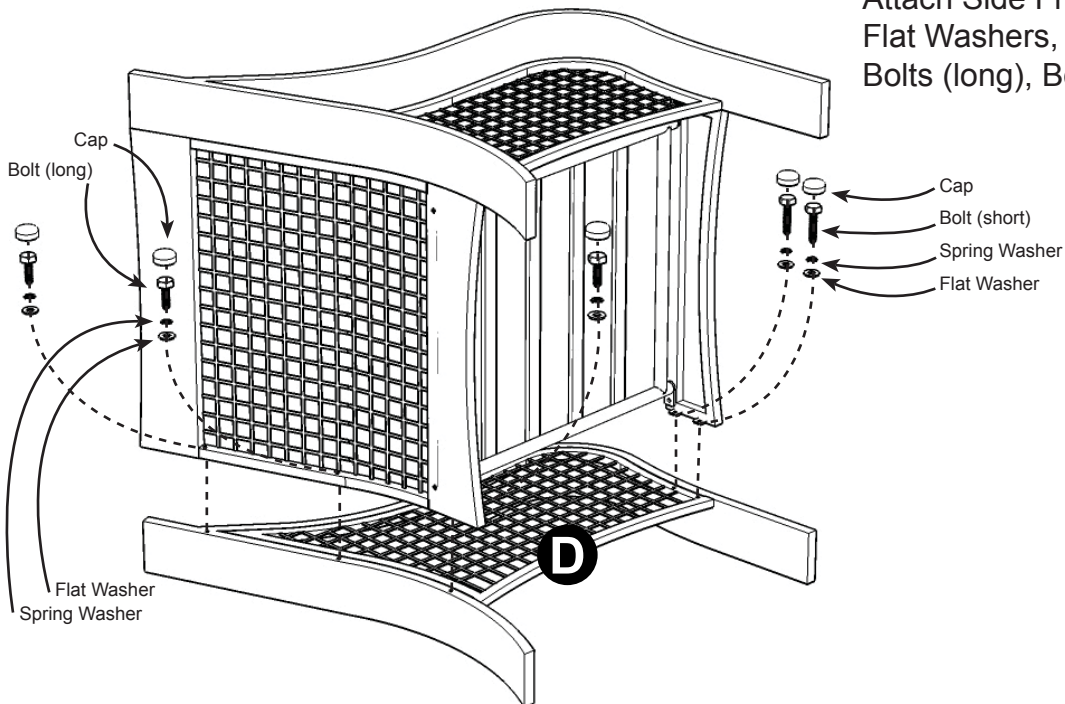
STEP 2

Attach Seat Frame (G) to unit with Flat Washers, Spring Washers, Bolts (short), Bolts (long) and Caps.

Assembly Instructions 3/3

STEP 3

Attach Side Frame (D) to unit with Flat Washers, Spring Washers, Bolts (long), Bolts (short) and Caps.



STEP 4

Turn the unit to its' upright position.

Place Seat Cushion (A) and then Back Cushion (B) onto unit.

To level the unit, adjust the adjustable levelers on bottom of unit. (See Figure 2)

