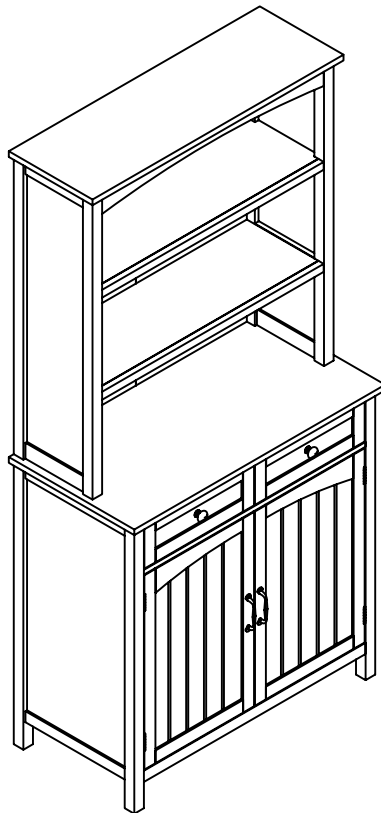


# USL

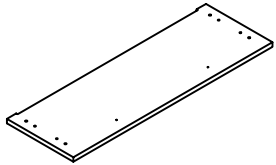
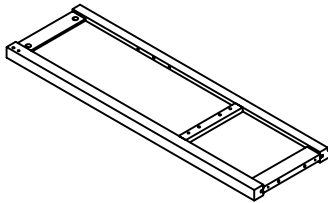
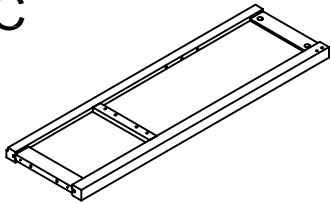
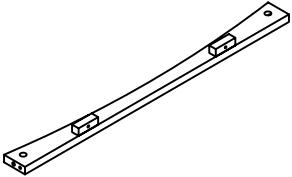
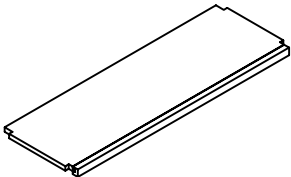
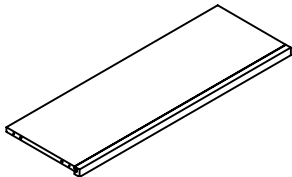
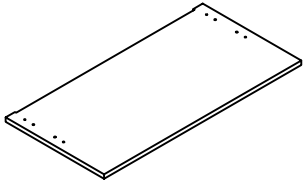
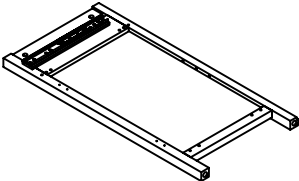
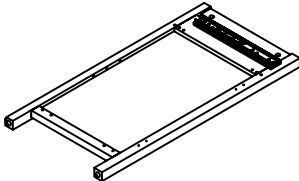
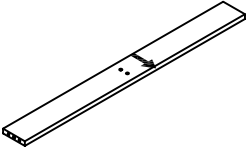
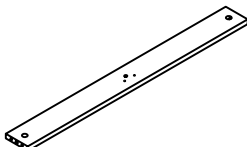
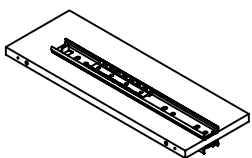
SK19295D1  
FARMHOUSE BUFFET  
ASSEMBLY INSTRUCTIONS

Made In China

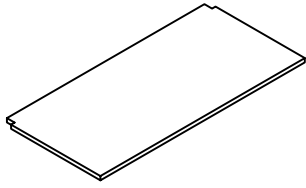


Thank you for purchasing this quality product. Be sure to check all packing material carefully for small parts, which may have come loose inside the carton during shipment. Count all parts and material hardware, then compare with parts list to be sure all parts are present. If any parts are missing or damaged, please contact our Customer Service Department for efficient and speedy service. Please indicate the model number and code letter of part(s) needed.

**IMPORTANT NOTE:** Follow instructions listed below in proper sequence as numbered to assure fast, easy and correct assembly.

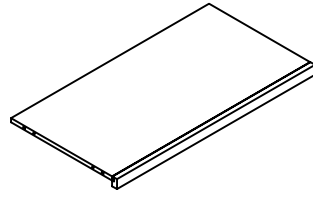
<b>PARTS LIST</b>		
<b>A</b> 	<b>B</b> 	<b>C</b> 
TOP PANEL -1PC	TOP LEFT SIDE PANEL -1PC	TOP RIGHT SIDE PANEL -1PC
<b>D</b> 	<b>E</b> 	<b>F</b> 
TOP CROSS BRACE -1PC	TOP ADJUSTABLE SHELF-1PC	TOP FIXED PANEL -1PC
<b>G</b> 	<b>H</b> 	<b>I</b> 
BOTTOM FIXED PANEL -1PC	BOTTOM LEFT SIDE PANEL-1PC	BOTTOM RIGHT SIDE PANEL-1PC
<b>J</b> 	<b>K</b> 	<b>L</b> 
BACK CROSS BRACE-1PC	FRONT CROSS BRACE-1PC	PARTITION -1PC

M



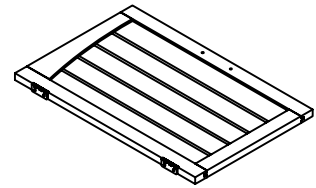
BOTTOM  
ADJUSTABLE SHELF-1PC

N



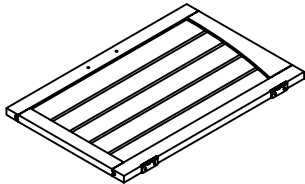
BOTTOM PANEL-1PC

O



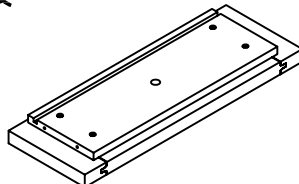
LEFT DOOR -1PC

P



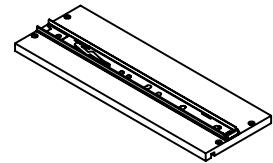
RIGHT DOOR -1PC

Q



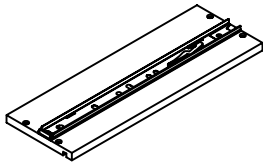
DRAWER  
FRONT PANEL -2PCS

R



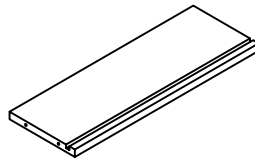
DRAWER  
LEFT SIDE PANEL -2PCS

S



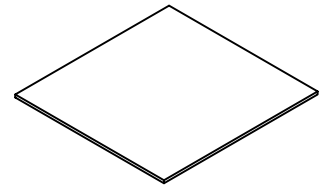
DRAWER  
RIGHT SIDE PANEL -2PCS

T



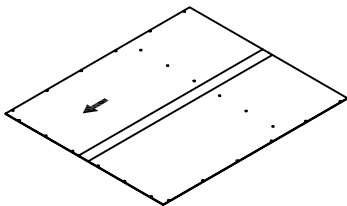
DRAWER  
BACK PANEL -2PCS

U



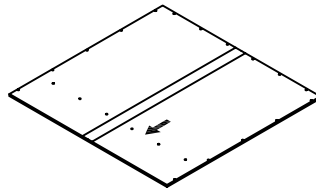
DRAWER  
BOTTOM PANEL -2PCS

V


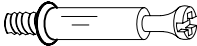

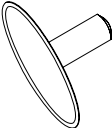
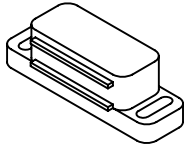

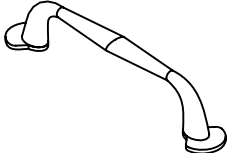


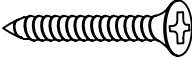

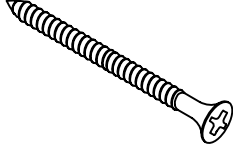


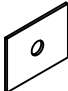



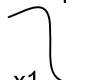



TOP BACK PANEL -1PC

W

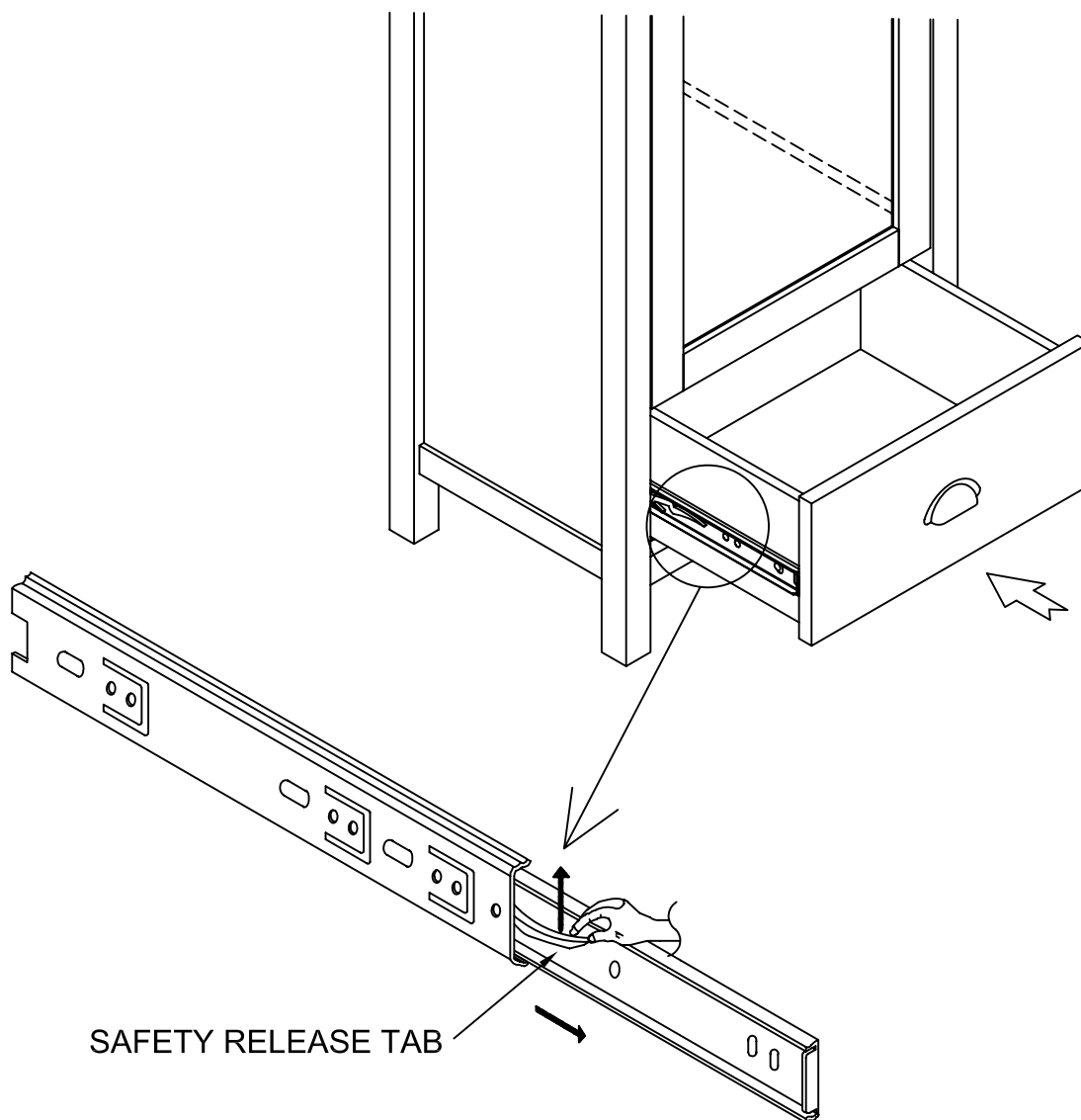


BOTTOM BACK PANEL -1PC

<p><b>a</b></p>  <p>WOOD DOWEL-34PCS</p>	<p><b>b</b></p>  <p>CAM LOCK BOLT-24PCS</p>	<p><b>c</b></p>  <p>CAM LOCK-24PCS</p>
<p><b>d</b></p>  <p>PLASTIC COVER -4PCS</p>	<p><b>e</b></p>  <p>MAGNET-1PC</p>	<p><b>f</b></p>  <p>5/8"L ROUND HEAD SCREW-53PCS</p>
<p><b>g</b></p>  <p>HANDLE-2PCS</p>	<p><b>h</b></p>  <p>3/4"L HANDLE BOLT-4PCS</p>	<p><b>i</b></p>  <p>SHELF PIN-8PCS</p>
<p><b>j</b></p>  <p>1" L FLAT HEAD SCREW-20PCS</p>	<p><b>k</b></p>  <p>1"L KNOB BOLT-2PCS</p>	<p><b>l</b></p>  <p>1-1/2" L FLAT HEAD SCREW-4PCS</p>
<p><b>m</b></p>  <p>1/2"L FLAT HEAD SCREW-8PCS</p>	<p><b>n</b></p>  <p>KNOB-2PCS</p>	<p><b>o</b></p>  <p>METAL PLATE-6PCS</p>
<div style="display: flex; justify-content: space-around; align-items: flex-start;"> <div style="text-align: center;"> <p><b>1</b></p>  <p>x2 RECTANGLE METAL PLATE</p> </div> <div style="text-align: center;"> <p><b>2</b></p>  <p>x1 5/8"L FLAT HEAD SCREW</p> </div> <div style="text-align: center;"> <p><b>3</b></p>  <p>x1 PLASTIC ANCHOR</p> </div> <div style="text-align: center;"> <p><b>4</b></p>  <p>x1 PLASTIC BAND</p> </div> <div style="text-align: center;"> <p><b>5</b></p>  <p>x1 1-1/2" L FLAT HEAD SCREW</p> </div> </div> <p style="text-align: center;">ANTI-TIPPING HARDWARE PACKAGE</p>		

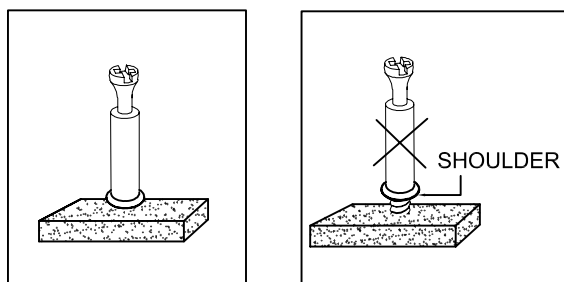
NOTE:THE SURFACE WITH THE STICKER IS THE BACK SIDE

## HOW TO REMOVE DRAWERS



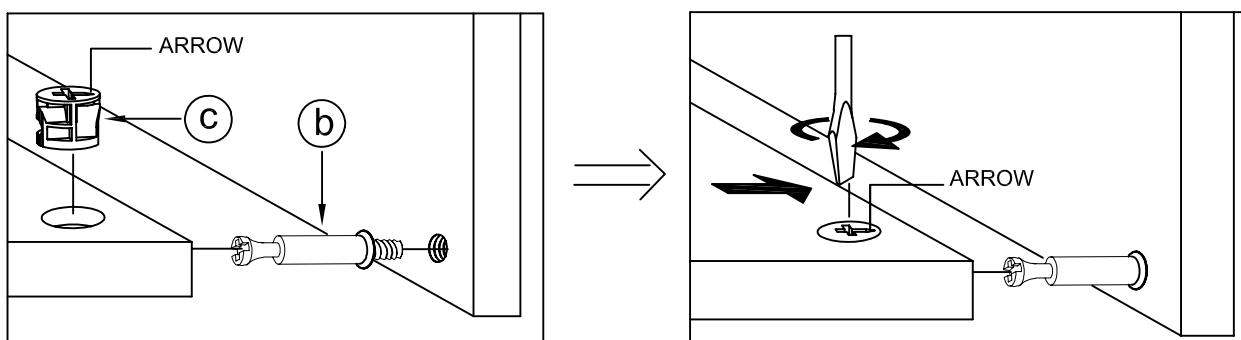
WHEN REMOVING DRAWERS, WE SUGGEST SEPARATING THE INNER GLIDES FROM THE OUTER-GLIDES, SIMPLY PULL THE LEFT/RIGHT INNER GLIDES FROM THE OUTER GLIDES EXPOSING A SMALL BLACK SAFETY RELEASE TAB, BY PUSHING THE SAFETY RELEASE TAB. YOU WILL BE ABLE TO SEPARATE THE GLIDES.

NOTE: • UPON OPENING, THOROUGHLY CLEAN ALL WOOD SURFACES TO REMOVE DUST AND DIRT THAT MAY HAVE SETTLED ONTO THE FINISH DURING SHIPMENT. IN ORDER TO PREVENT DAMAGE DURING ASSEMBLY. PLEASE ASSEMBLE THIS ITEM WITH AT LEAST TWO PEOPLE.



NOTE: TURN THE CAM-BOLT SCREWS UNTIL THEY ARE TIGHT, THE SHOULDER SHOULD BE AGAINST THE SURFACE OF THE PART.

## HOW TO USE THE CAM-TOOL



NOTE: • THE ARROWS ON THE HIDDEN CAM-LOCKS SHOULD POINT TO THE CAM-BOLTS.

FIG 1

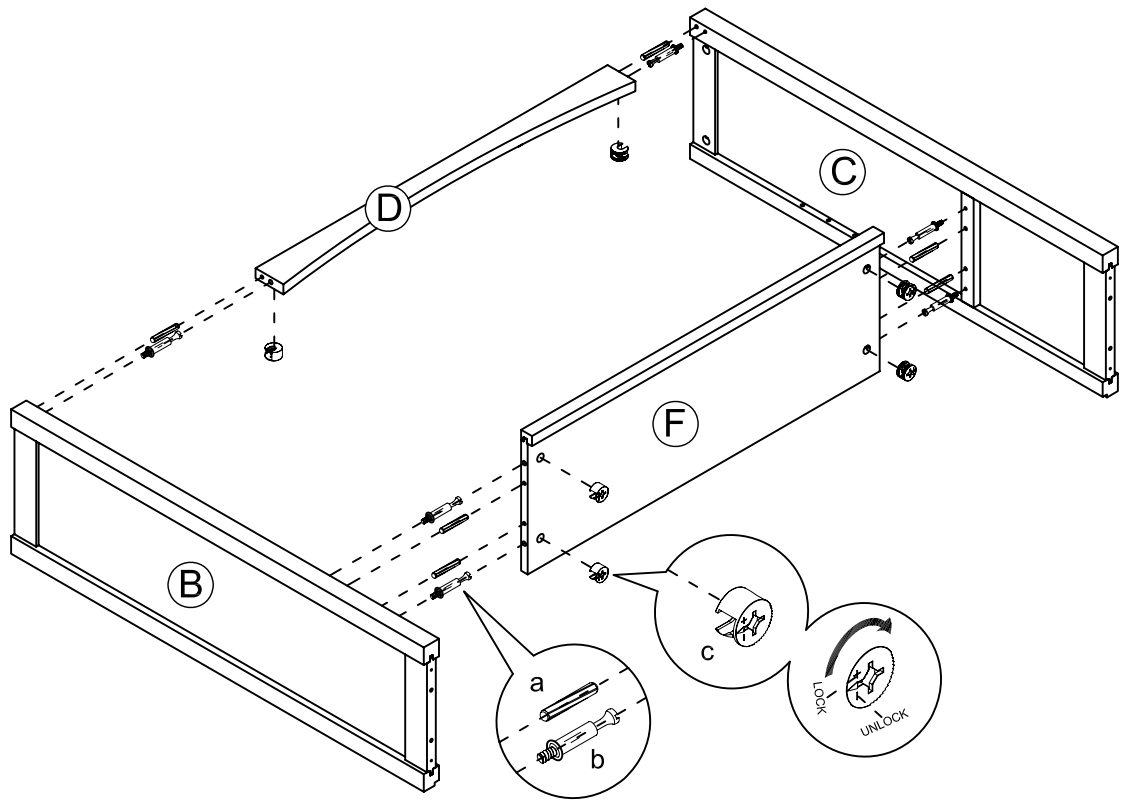


FIG 2

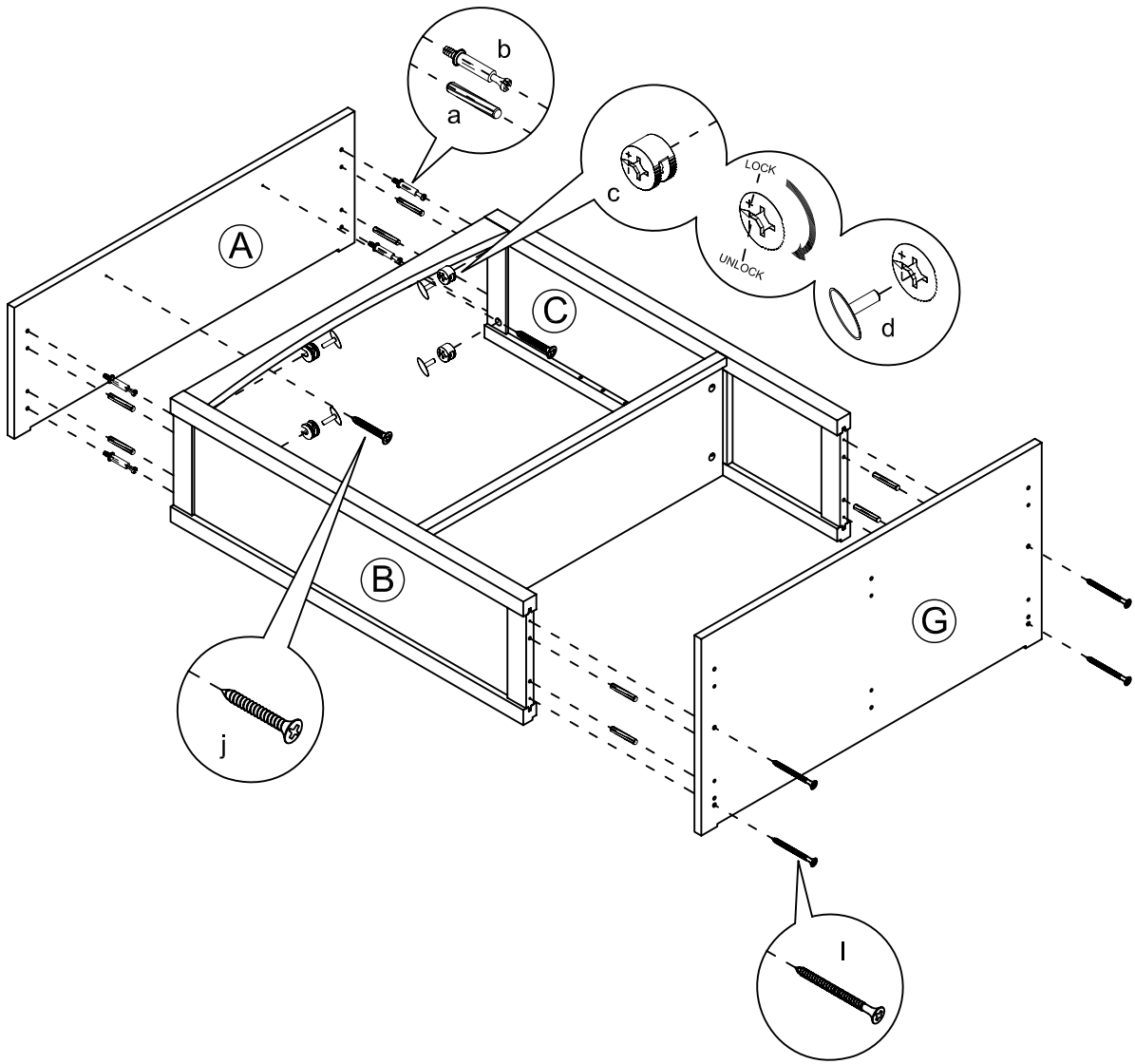




FIG 3

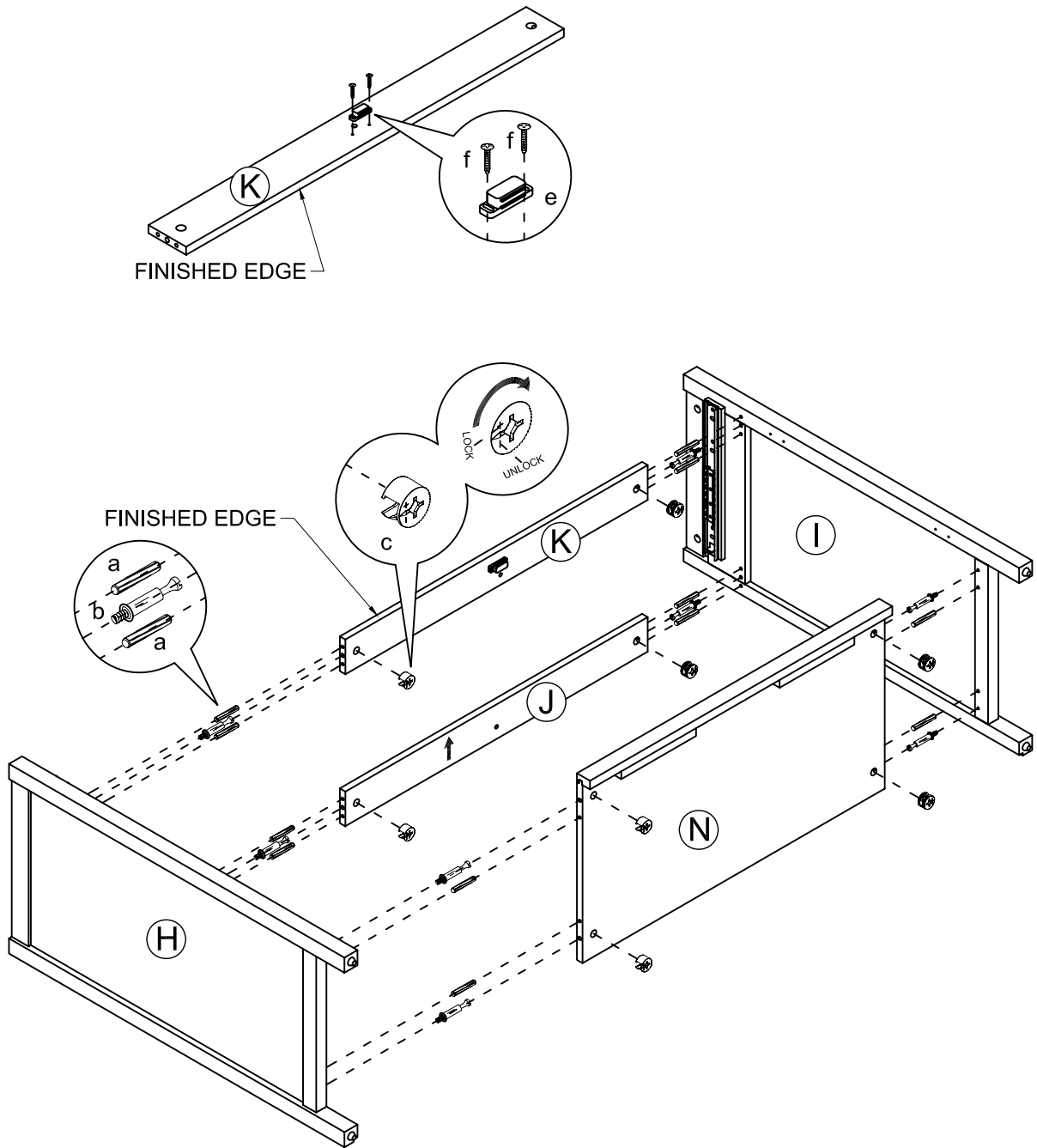


FIG 4

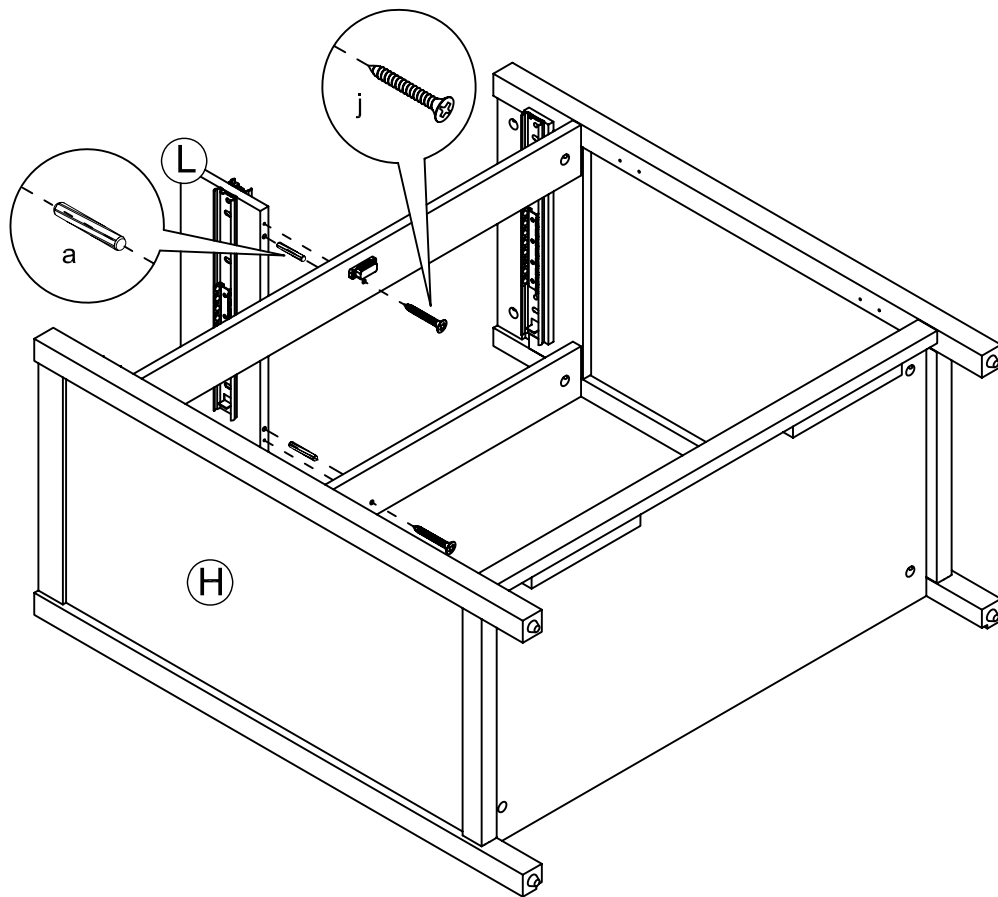


FIG 5

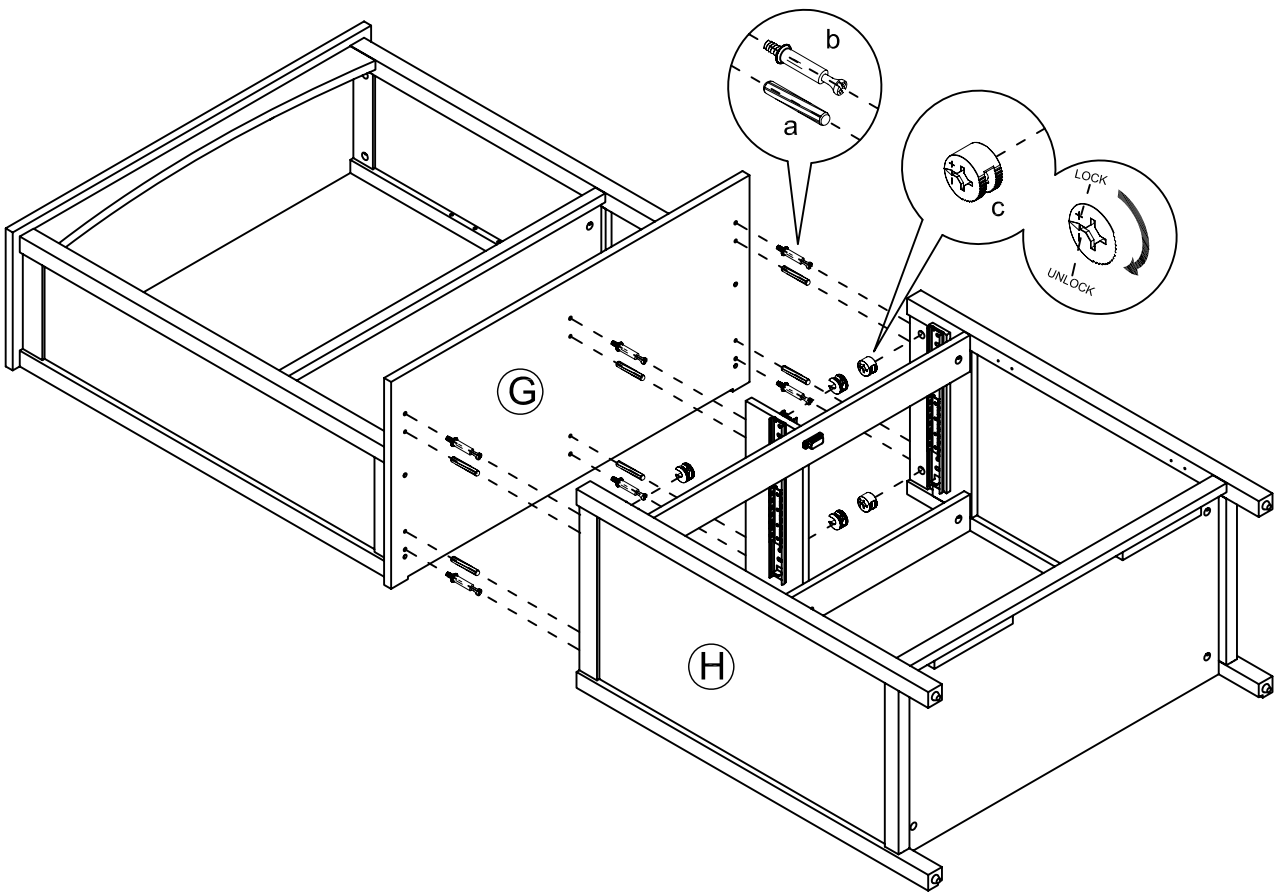


FIG 6

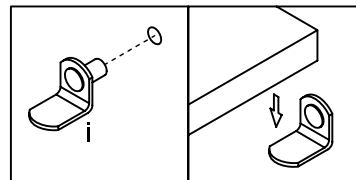
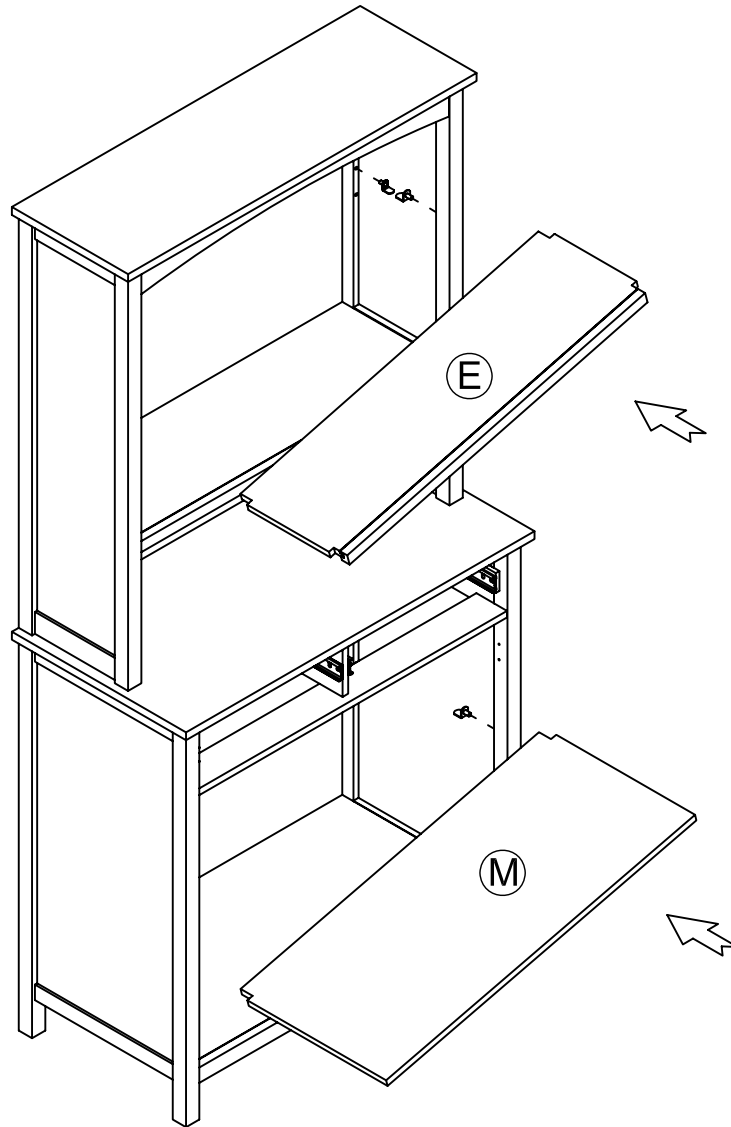


FIG 7

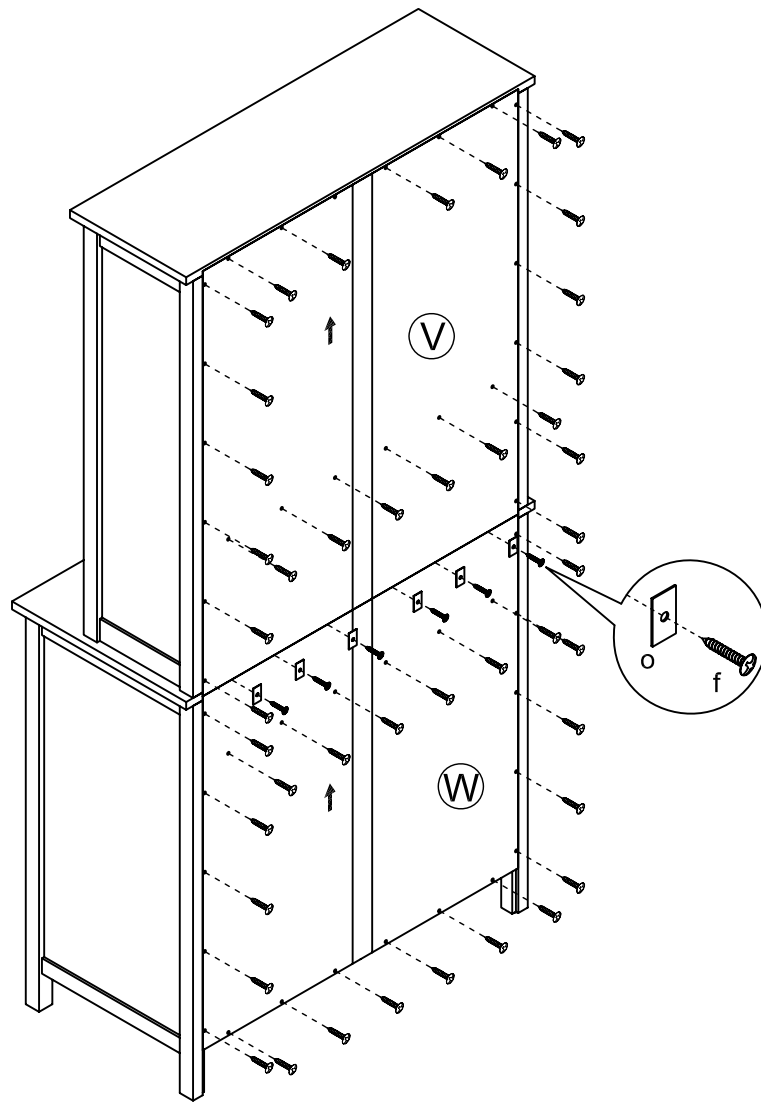


FIG 8

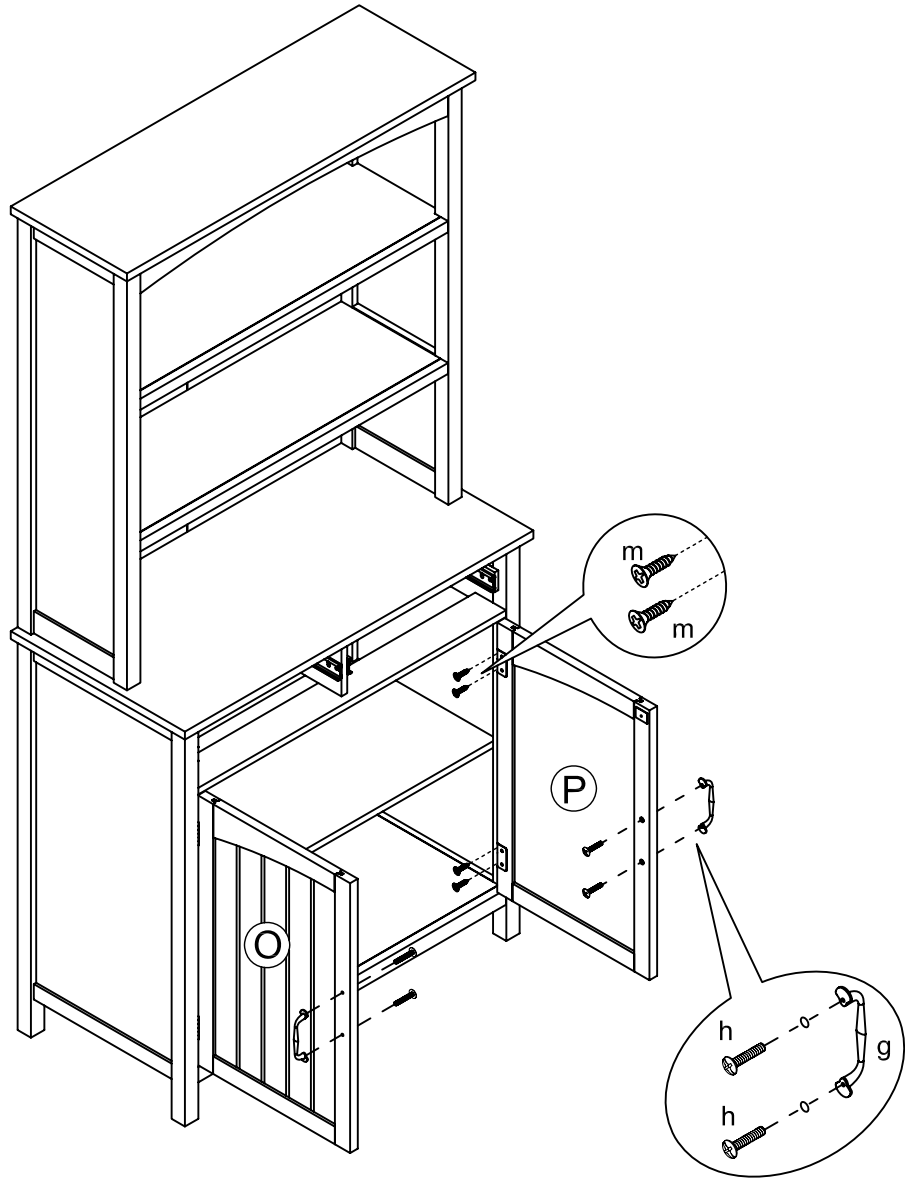


FIG 9

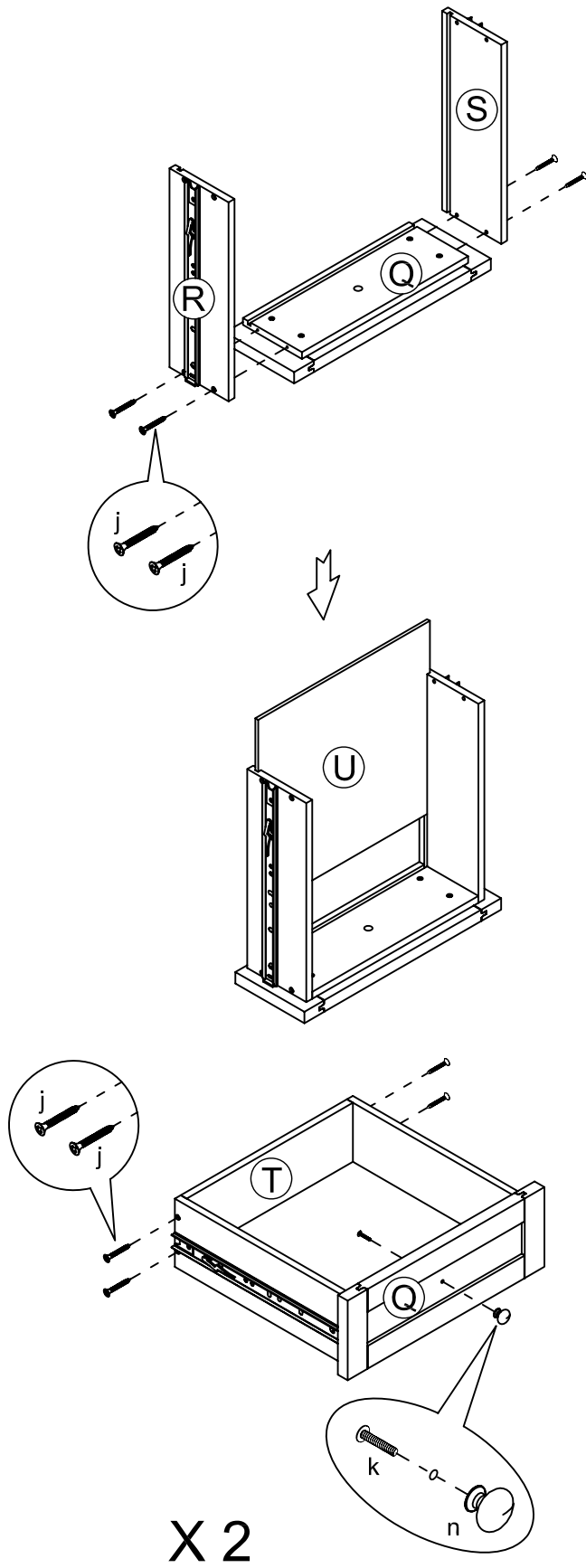


FIG 10

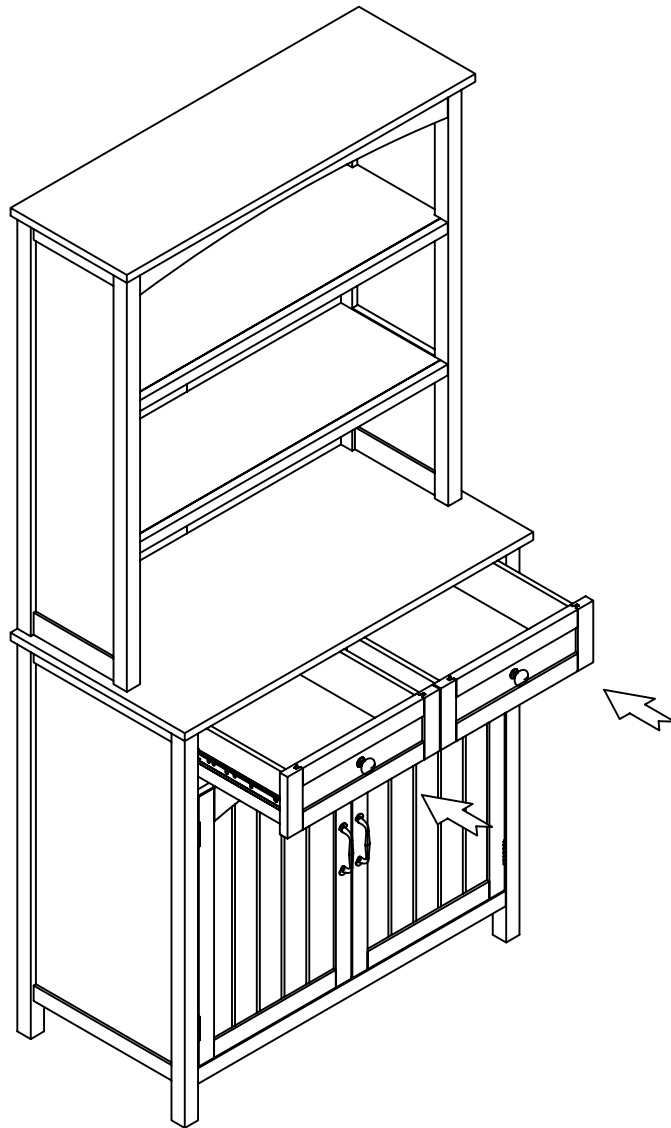




FIG 11

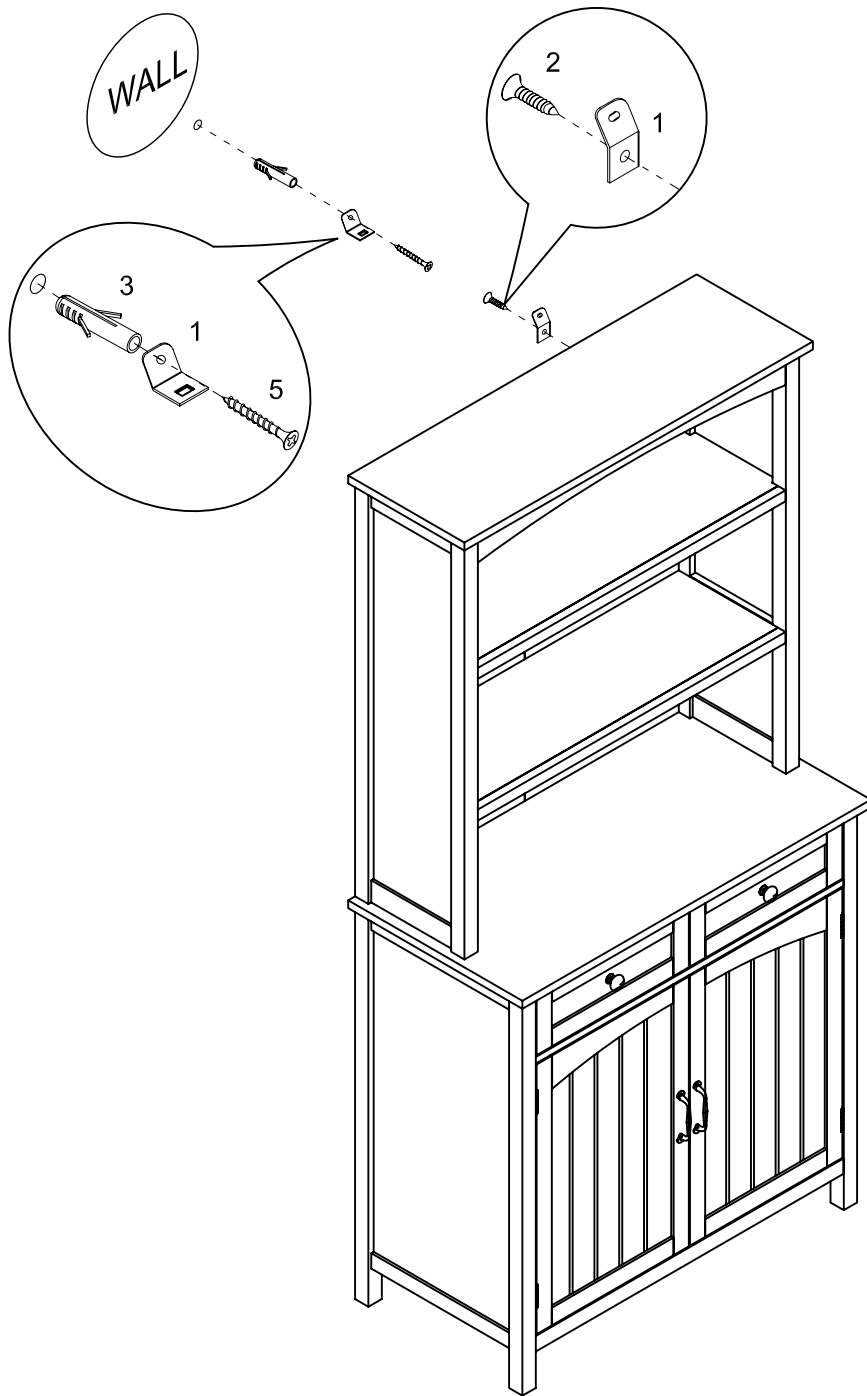


FIG 12

