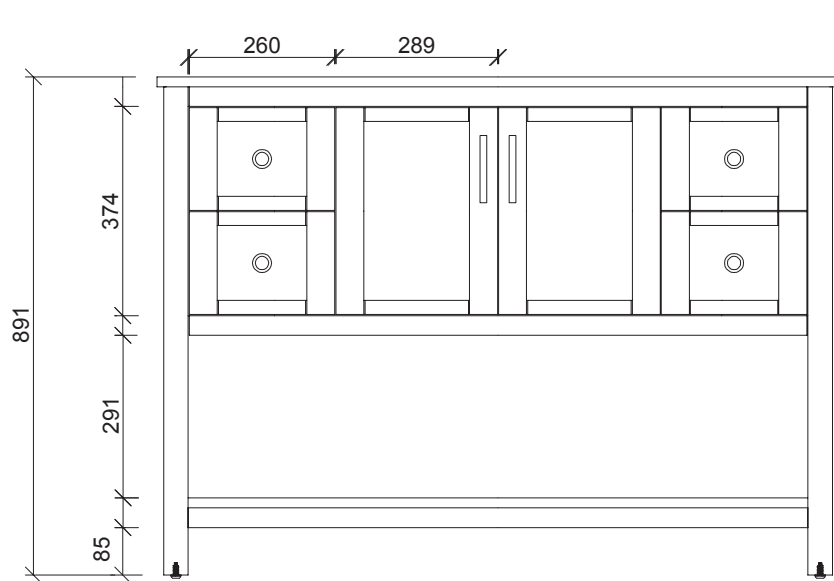
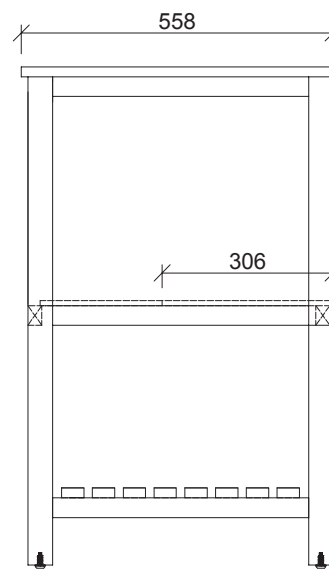


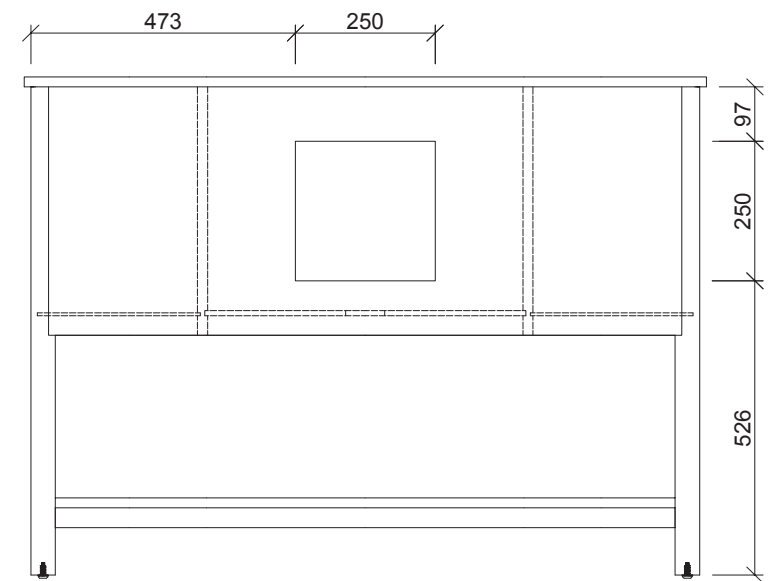
TOP VIEW



FRONT VIEW



SIDE VIEW



BACK VIEW

*All dimension in mm unless otherwise specified. Dimensions subject to tolerance.