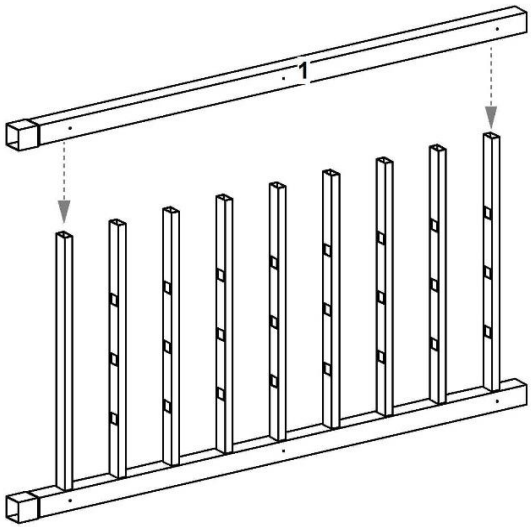


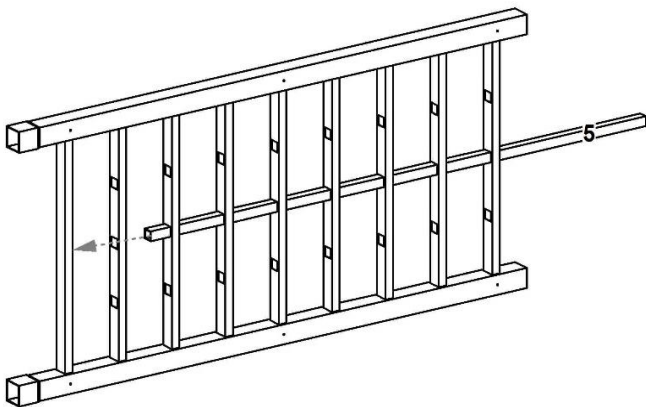
**1**

Lay out right post (part 2). Starting at bottom (flared end), insert bottom cross rail (part 4) and center cross rails (part 3).



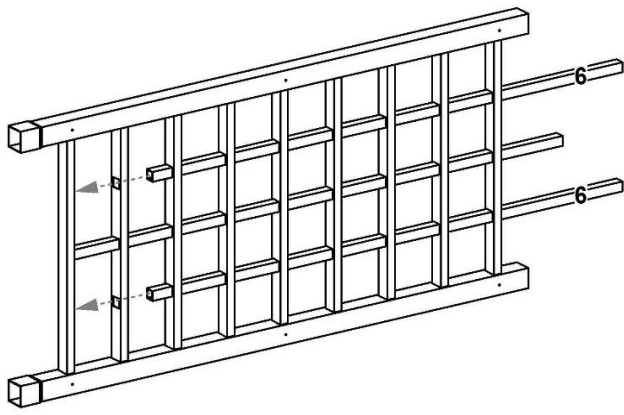
**2**

Slide left post (part 1) over corresponding cross rails.



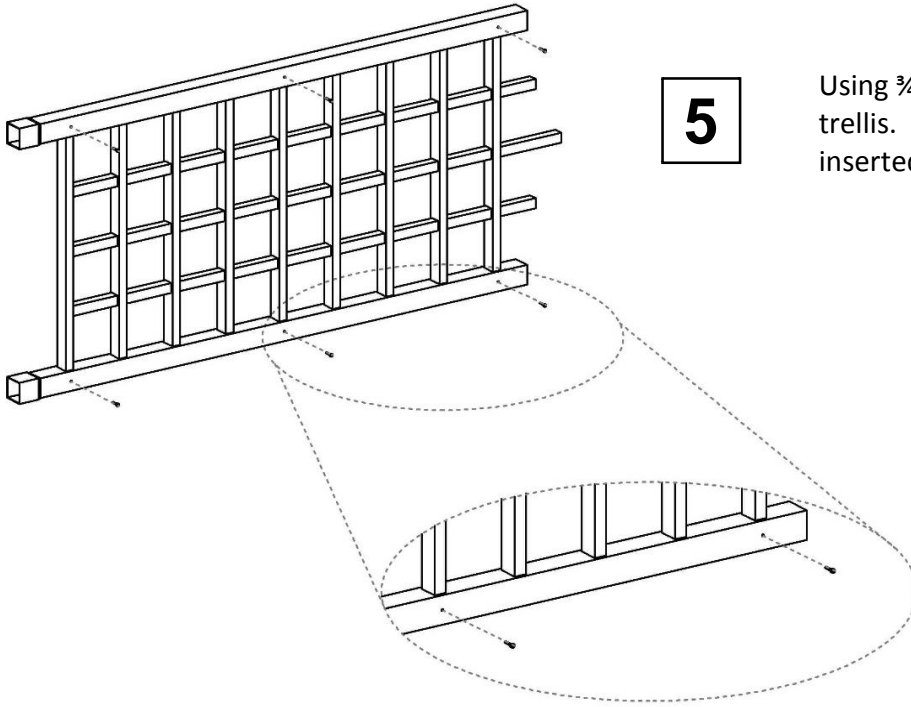
**3**

Insert 58" vertical rail (part 5) through center hole of cross rails.



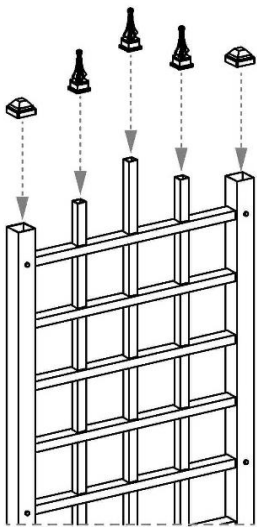
**4**

Insert 55" vertical rails (part 6) through remaining holes in cross rails.



**5**

Using  $\frac{3}{4}$ " kappet screws, screw together trellis. Be sure that all parts are fully inserted into posts before securing.



**6**

Using PVC, super or crazy glue, glue post caps onto posts and arrowhead caps onto vertical rails.

If combining with Model# 11124 Large Planter Box to make a planter trellis, use a straight blade screwdriver to pop off two 2" sq. post caps of one long side of the planter and slide trellis over the planter legs. Using two 1" painted self-tapping screws from trellis ground anchor kit (part 8), fasten trellis to planter.