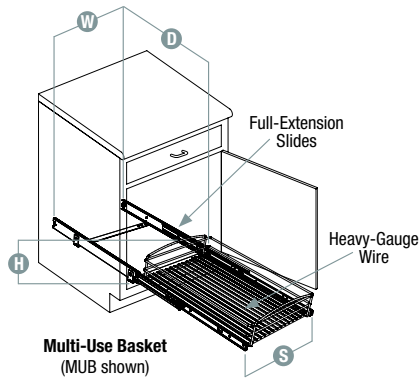
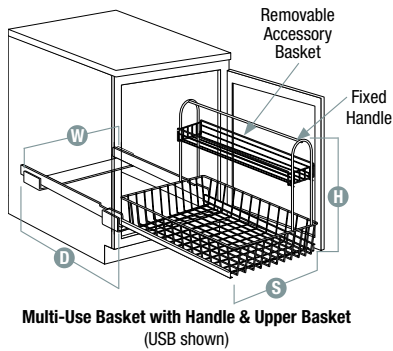


# Multi-Use Baskets

- KV Eco-Friendly Frosted Nickel finish
- KV epoxy-coated roller slide
- Accessory and Upper Baskets are non-handed, removable and offset to avoid plumbing for undersink applications



Multi-Use Basket (MUB14-FN shown)



Multi-Use Basket with Upper Basket (USB11-TM-W shown)

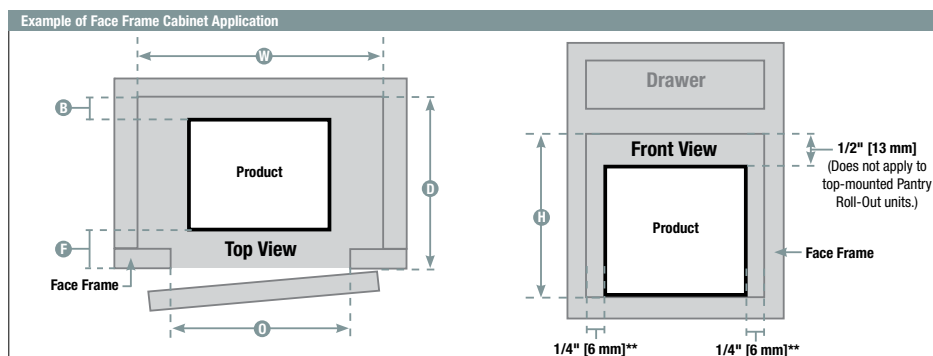
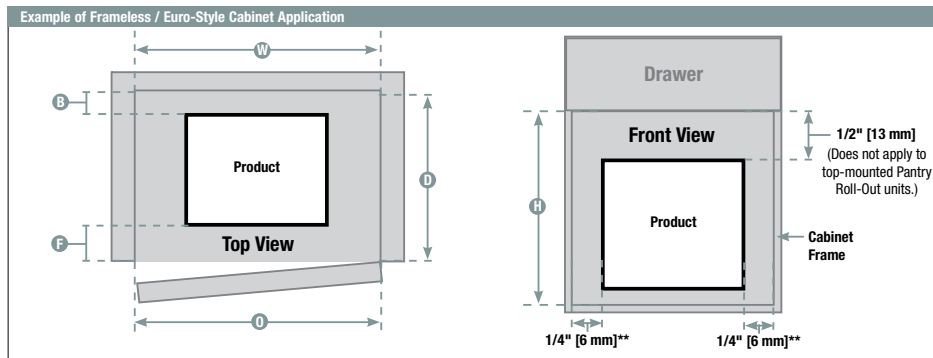
Stock #	LOWER BASKET DIMENSIONS			UPPER BASKET DIMENSIONS		
	Width W	Height H	Depth D	Width W	Height H	Depth D
GUSB11-FN	11"	4"	18"	5"	2-7/8"	17-1/2"
GUSB14-FN	14"	4"	18"	5"	2-7/8"	17-1/2"
USB11-W	11"	4-1/8"	18-3/4"	5"	2-7/8"	17-3/8"
USB14-W	14"	4-1/8"	18-3/4"	5"	2-7/8"	17-3/8"
USB11TM-W	11"	4-1/8"	18"	-	-	-
USB14TM-W	14"	4-1/8"	18"	-	-	-
MU11-W	11"	4-1/8"	18-3/4"	-	-	-
MU14-W	14"	4-1/8"	18-3/4"	-	-	-

Stock #	Sliding Assembly Width S	Assembled Product Dimensions			Finish	Units per Carton	Weight per Carton
		Width W	Height H	Depth D			
<b>MULTI-USE BASKETS WITH HANDLE AND ACCESSORY BASKET</b>							
GUSB11-FN	11-7/16" [291 mm]	12-1/8" [308 mm]	15-7/16" [392 mm]	18-3/4" [476 mm]	Frosted Nickel*	1	8.9 lbs. [4.0 kg.]
GUSB14-FN	14-7/16" [367 mm]	15-1/8" [384 mm]	15-7/16" [392 mm]	18-3/4" [476 mm]	Frosted Nickel*	1	9.7 lbs. [4.4 kg.]
USB11-W	11-7/16" [291 mm]	12-1/8" [308 mm]	15-1/2" [394 mm]	18-3/4" [476 mm]	White	1	7.6 lbs. [3.4 kg.]
USB14-W	14-7/16" [367 mm]	15-1/8" [384 mm]	15-1/2" [394 mm]	18-3/4" [476 mm]	White	1	8.2 lbs. [3.7 kg.]
<b>MULTI-USE BASKETS WITH UPPER BASKET</b>							
USB11TM-W	11-7/16" [291 mm]	12-1/8" [308 mm]	9-5/16" [237 mm]	19-1/8" [486 mm]	White	1	6.1 lbs. [2.8 kg.]
USB14TM-W	14-7/16" [367 mm]	15-1/8" [384 mm]	9-5/16" [237 mm]	19-1/8" [486 mm]	White	1	7.2 lbs. [3.3 kg.]
<b>MULTI-USE BASKETS</b>							
MUB11-FN	11-3/8" [289 mm]	11-3/4" [299 mm]	5-5/16" [135 mm]	20" [508 mm]	Frosted Nickel*	1	8.5 lbs. [3.9 kg.]
MUB14-FN	14-3/8" [365 mm]	14-3/4" [375 mm]	5-5/16" [135 mm]	20" [508 mm]	Frosted Nickel*	1	9.5 lbs. [4.3 kg.]
MUB17-FN	17-3/8" [441 mm]	17-3/8" [441 mm]	5-3/16" [132 mm]	20" [508 mm]	Frosted Nickel*	1	11 lbs. [4.9 kg.]
MU11-W	11-7/16" [291 mm]	12-1/8" [308 mm]	5-3/16" [132 mm]	18-3/4" [476 mm]	White	1	4.8 lbs. [2.2 kg.]
MU14-W	14-7/16" [367 mm]	15-1/8" [384 mm]	5-3/16" [132 mm]	18-3/4" [476 mm]	White	1	5.7 lbs. [2.6 kg.]

\* See page 4 for Frosted Nickel information.

See page 63 for recommended cabinet dimensions and clearances.

P5050FE-W	*	*	52" [1320 mm]	22-1/4" [565 mm]	-	-
P5450FE-W	*	*	56" [1422 mm]	22-1/4" [565 mm]	-	-
P6500FE-W	*	*	66-1/2" [1689 mm]	22-1/4" [565 mm]	-	-
P4250FE-FN	*	*	44" [1117 mm]	22-1/4" [565 mm]	-	-
P4650FE-FN	*	*	48" [1219 mm]	22-1/4" [565 mm]	-	-
P5450FE-FN	*	*	56" [1422 mm]	22-1/4" [565 mm]	-	-
<b>Base Cabinet Organizer</b>						
BC020E-W	*	*	21-11/16" [551 mm]	22-3/16" [564 mm]	1/4" [6 mm]	1/4" [6 mm]
BC0245E-W	*	*	25-1/2" [648 mm]	22-1/2" [572 mm]	1/4" [6 mm]	1/4" [6 mm]
<b>Base Roll-Out</b>						
B1700-W	*	*	19-3/4" [502 mm]	22-3/16" [564 mm]	1/4" [6 mm]	1/4" [6 mm]
<b>Multi-Use Baskets</b>						
GUSB11-FN	12" [305 mm]	12-5/8" [321 mm]	15-15/16" [405 mm]	19-1/4" [489 mm]	1/4" [6 mm]	1/4" [6 mm]
GUSB14-FN	15" [381 mm]	15-5/8" [397 mm]	15-15/16" [405 mm]	19-1/4" [489 mm]	1/4" [6 mm]	1/4" [6 mm]
USB11-W	12" [305 mm]	12-5/8" [321 mm]	16" [406 mm]	19-1/4" [489 mm]	1/4" [6 mm]	1/4" [6 mm]
USB14-W	15" [381 mm]	15-5/8" [397 mm]	16" [406 mm]	19-1/4" [489 mm]	1/4" [6 mm]	1/4" [6 mm]
USB11TM-W	12" [305 mm]	12-5/8" [321 mm]	9-13/16" [249 mm]	19-5/8" [498 mm]	1/4" [6 mm]	1/4" [6 mm]
USB14TM-W	15" [381 mm]	15-5/8" [397 mm]	9-13/16" [249 mm]	19-5/8" [498 mm]	1/4" [6 mm]	1/4" [6 mm]
MUB11-FN	11-1/2" [292 mm]	12" [305 mm]	5-11/16" [144 mm]	20-1/4" [514 mm]	1/4" [6 mm]	1/4" [6 mm]
MUB14-FN	14-1/2" [368 mm]	15" [381 mm]	5-11/16" [144 mm]	20-1/4" [514 mm]	1/4" [6 mm]	1/4" [6 mm]
MUB17-FN	17-1/2" [444 mm]	18" [457 mm]	5-11/16" [144 mm]	20-1/4" [514 mm]	1/4" [6 mm]	1/4" [6 mm]
MU11-W	12" [305 mm]	12-5/8" [321 mm]	5-11/16" [144 mm]	19-1/4" [489 mm]	1/4" [6 mm]	1/4" [6 mm]
MU14-W	15" [381 mm]	15-5/8" [397 mm]	5-11/16" [144 mm]	19-1/4" [489 mm]	1/4" [6 mm]	1/4" [6 mm]
<b>Tray Divider Roll-Outs</b>						
TDR06-W	6" [152 mm]	6-1/2" [165 mm]	20" [508 mm]	22-1/2" [572 mm]	1/4" [6 mm]	1/4" [6 mm]
TDR09-W	9" [229 mm]	9-1/2" [241 mm]	20" [508 mm]	22-1/2" [572 mm]	1/4" [6 mm]	1/4" [6 mm]



\* Minimum Cabinet Opening Width AND Minimum Cabinet Interior Width equals total width of completely assembled unit with all baskets applied, plus 1/2" clearance per side (1" total clearance for center-mounted units, 1/2" side clearance for side-mounted units). Dimensions shown are recommended minimum cabinet dimensions and clearances.

\*\* Slide-out Base Blind Corner Units and Base Cabinet Organizers require 1/2" side clearance on one side, not both.