



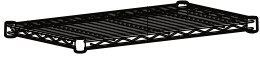
Use and Care Guide

4 -Shelf Storage Unit

Item #EH-WSTHDUS-004R
Model #206017343



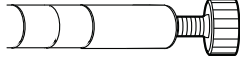
PACKAGE CONTENTS



A - Shelf x 4



B - Tapered Sleeves x32
Spare Plastic Tapered Sleeves x 2



C - Bottom Poles with Levelers Pre-installed x 4



D - Top Poles with Pole Connector & Caps Pre-installed x 4

★Please read the manual carefully before you start assembling ★
★Please inspect box contents to ensure you have received all components ★
Note: the black circular plastic tops in between the shelves are used only for packaging purposes. They are NOT NEEDED. Please discard.

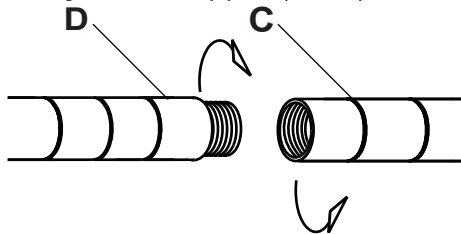


→ black circular plastic tops

Assembly

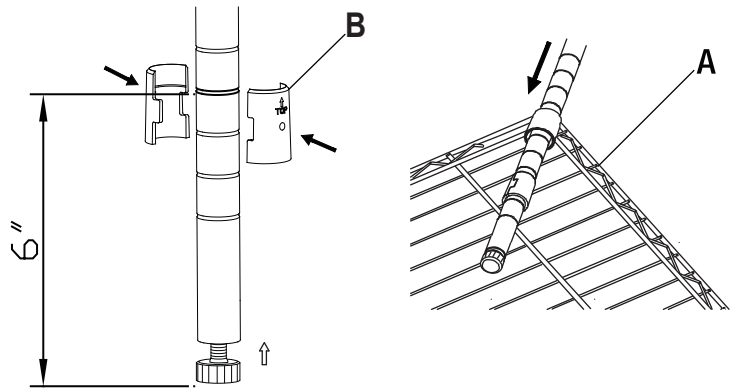
1 Assembling the posts

- Screw a bottom pole (C) to a top pole (D). Repeat for the remaining bottom and top poles (C and D).



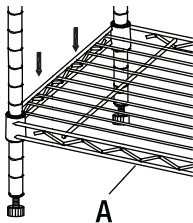
2 Assembling the bottom shelf

- Locate the desired position of the bottom shelf (A). Ensure that it is no more than 6 in. from the floor.
- Place two tapered sleeves (B) into the appropriate groove on each pole assembly. Make sure the "UP" arrow is facing up.
- Place the shelf (A) on its side and slide each pole assembly with tapered locks through the bottom of the shelf (A) until snug. Make sure that the shelf corner cylinders are positioned over the slip sleeves.
- After all pole assemblies are in place, position the unit in the upright position.
- Push down on each corner of the shelf (A), ensuring the shelf (A) is in a fully locked position.



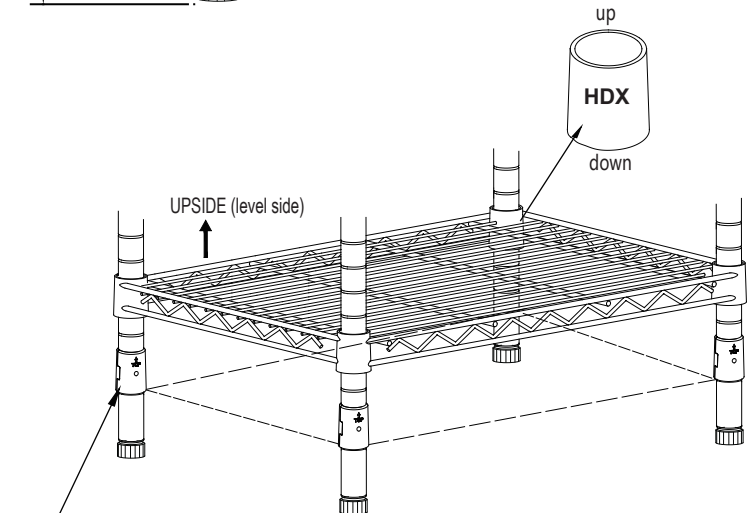
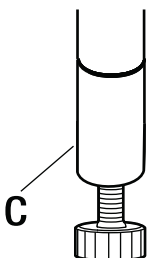
3 Adding shelves

- Locate the desired position of the next lowest shelf and place the tapered sleeves (B) on to the pole assemblies.
- Slide the shelf (A) down from the top of the pole assemblies and onto the tapered sleeves (B).
- Push down on each shelf (A) corner, ensuring the shelf (A) is in a fully locked position.
- Repeat for the remaining shelves (A).



4 Adjusting the levelers

- Move the assembly to the desired location.
- If required, adjust the levelers on the bottom of the bottom poles (C) to ensure the assembly is level. Rotate the levelers counterclockwise to raise the poles, clockwise to lower the poles.



Note: the tapered sleeves must be at the same height for each pole to ensure the shelf sit on the sleeves levelly.

Safety Information

1. Two adults are recommended for ease of assembly. Use care when handling.
2. Assembly recommended on a soft surface, such as carpet, to a scratching flooring finish.
3. Discard the black circular plastic pieces. These are used to separate the shelves for shipping purposes.



CAUTION: Do not allow children to climb or play in or around the shelves.



CAUTION: Each shelf holds up to 350 lbs, evenly distributed. Do not overload.

