

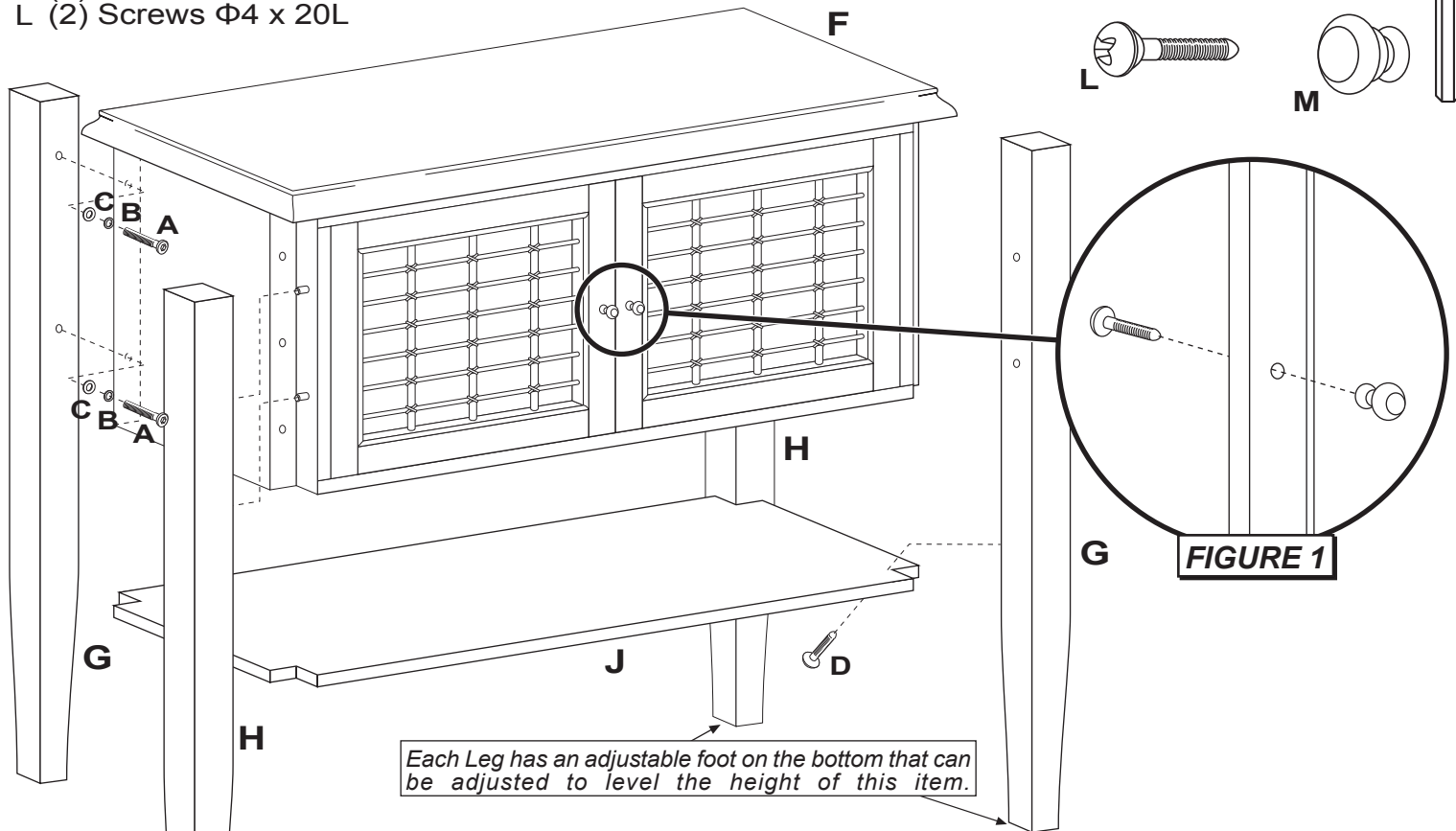
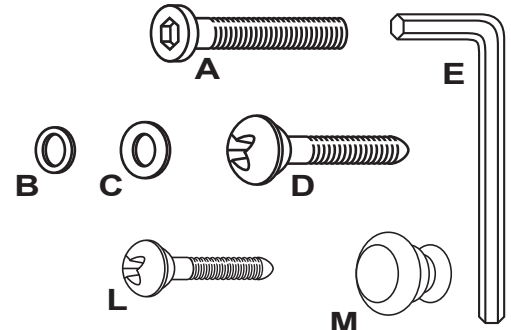
Examine all packaging material for small parts that may have come loose during shipment. Periodic checks are recommended to insure that all components are in proper position, tight and free from damage. Keep this assembly instruction for future reference. Adult assembly is required. The product of Hillsdale Furniture, LLC is designed for residential use only. Customer Service Phone Number: 502-562-0000

HARDWARE LIST

- A (8) Allen Bolts $\Phi 6.3 \times 38L$
- B (8) Spring Washers $\Phi 6.3 \times 13 \times 1$
- C (8) Metal Washers $\Phi 6.3 \times 18 \times 1.5$
- D (4) Wood Screws $\Phi 8 \times 25L$
- E (1) Allen Wrench
- M (2) Knobs
- L (2) Screws $\Phi 4 \times 20L$

PARTS LIST

- F (1) Buffet
- G (2) Left Legs
- H (2) Right Legs
- J (1) Wood Shelf



STEP 1

Begin assembly by attaching each Left Leg (G) & 1 Right Left (H) to the Buffet (F) by aligning open holes on inside of each Leg with the dowels on the inside of each corner of the Buffet to hold in place. Once in place, secure using 2 Allen Bolts (A), 2 Spring Washers (B) & 2 Flat Washers (C) per each side from the inside of the Buffet. Do not fully tighten bolts.

STEP 2

Next, attach the Wood Shelf (J) to each Left Leg (G) & the 1 Right Leg (H) by setting into place. Once in place, insert 1 Wood Screw (D) per each corner to secure in place. Do not fully tighten screws.

STEP 3

Finally, attach the remaining Right Leg (H) to the Buffet (F) by aligning open holes on the inside of the Leg with the dowels on the inside of each corner of the Buffet to hold in place. Once in place, secure using 2 Allen Bolts (A), 2 Spring Washers (B) & 2 Flat Washers (C) from the inside of the Buffet. Tighten all bolts using the Allen Wrench (E) that is provided. Tighten all screws only using a phillips head screwdriver (not included).

STEP 4

Attach 1 Knob (M) & 1 Screw (L) on each Door Panel. See **Figure 1**. The assembly is now complete.

CARE & MAINTENANCE: The touch of a soft cloth is all the maintenance the finish will ever need. Please do not use harsh or abrasive cleaners for polishing, as they may cause damage to the finish. Periodic checks are recommended to make sure that all hardware is securely tightened.