

REMINGTON®

Operator's Manual

2-Cycle Backpack Blower

RM2BP

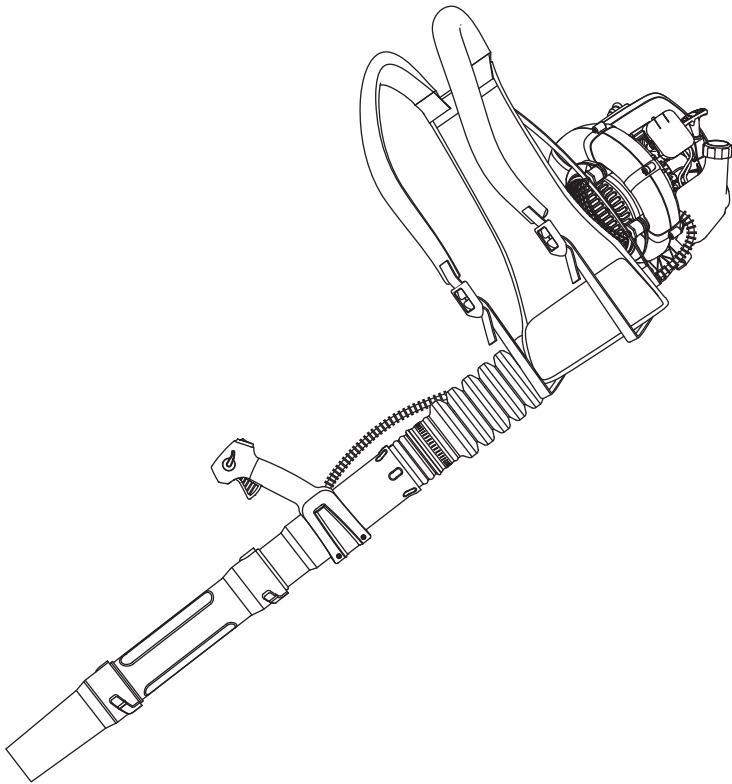


TABLE OF CONTENTS

Service	1
Safety	2
Know Your Unit	6
Specifications	6
Assembly	7
Oil and Fuel	9
Starting and Stopping	10
Operation	11
Maintenance	12
Cleaning and Storage	14
Troubleshooting	15
Warranty	16

SAVE THESE INSTRUCTIONS

SERVICE

DO NOT RETURN THIS UNIT TO THE RETAILER. PROOF OF PURCHASE WILL BE REQUIRED FOR WARRANTY SERVICE.

For assistance regarding the assembly, controls, operation or maintenance of the unit, please call the Customer Support Department at **1-866-206-2707** in the United States or **1-877-696-5533** in Canada. Additional information about the unit can be found on our website at **www.remingtonpowertools.com**.

For service, please call the Customer Support Department to obtain a list of authorized service dealers near you. Service on this unit, both within and after the warranty period, should only be performed by an authorized and approved service dealer. When servicing, use only identical replacement parts.

All information, illustrations, and specifications in this manual are based on the latest product information available at the time of printing. We reserve the right to make changes at any time without notice.

Copyright© 2014 MTD SOUTHWEST INC, All Rights Reserved.

IMPORTANT: Read this manual thoroughly before using this product. Follow all instructions.

SAFETY

The purpose of safety symbols is to attract your attention to possible dangers. The safety symbols, and their explanations, deserve your careful attention and understanding. The safety warnings do not by themselves eliminate any danger. The instructions or warnings they give are not substitutes for proper accident prevention measures.

SYMBOL	MEANING
--------	---------

	DANGER: Signals an EXTREME hazard. Failure to obey a safety DANGER signal WILL result in serious injury or death to yourself or to others.
----------------------------------------------------------------------------------	------------------------------------------------------------------------------------------------------------------------------------------------------------------------

	WARNING: Signals a SERIOUS hazard. Failure to obey a safety WARNING signal CAN result in serious injury to yourself or to others.
----------------------------------------------------------------------------------	---------------------------------------------------------------------------------------------------------------------------------------------------------------

	CAUTION: Signals a MODERATE hazard. Failure to obey a safety CAUTION signal MAY result in property damage or injury to yourself or to others.
----------------------------------------------------------------------------------	---------------------------------------------------------------------------------------------------------------------------------------------------------------------------

NOTE: Advises you of information or instructions vital to the operation or maintenance of the equipment.

SPARK ARRESTOR NOTE

NOTE: For users on U.S. Forest Land and in the states of California, Maine, Oregon and Washington. All U.S. Forest Land and the state of California (Public Resources Codes 4442 and 4443), Oregon and Washington require, by law that certain internal combustion engines operated on forest brush and/or grass-covered areas be equipped with a spark arrestor, maintained in effective working order, or the engine be constructed, equipped and maintained for the prevention of fire. Check with your state or local authorities for regulations pertaining to these requirements. Failure to follow these requirements could subject you to liability or a fine. **This unit is factory equipped with a spark arrestor.** If it requires replacement, contact your local service dealer to install the appropriate muffler assembly.




CALIFORNIA PROPOSITION 65

WARNING: This product contains a chemical known to the state of California to cause cancer, birth defects or other reproductive harm.

Read the operator's manual and follow all warnings and safety instructions. Failure to do so can result in serious injury to the operator and/or bystanders.

• IMPORTANT SAFETY INSTRUCTIONS •

READ ALL INSTRUCTIONS BEFORE OPERATING

	WARNING: When using the unit, all safety instructions must be followed. Please read these instructions before operating the unit in order to ensure the safety of the operator and any bystanders. Please keep these instructions for later use.
------------------------------------------------------------------------------------	---------------------------------------------------------------------------------------------------------------------------------------------------------------------------------------------------------------------------------------------------------

- Read the instructions carefully. Be familiar with the controls and proper use of the unit.
- Do not operate this unit when tired, ill or under the influence of alcohol, drugs or medication.
- Children must not operate the unit. Teens must be accompanied and guided by an adult.
- All guards and safety attachments must be installed properly before operating the unit.
- Inspect the unit before use. Replace damaged parts. Check for fuel leaks. Make sure all fasteners are in place and secure. Replace parts that are cracked, chipped, or damaged in any way. Do not operate the unit with loose or damaged parts.
- Be aware of risk of injury to the head, hands and feet.
- Carefully inspect the area before starting the unit. Remove rocks, broken glass, nails, wire, string and other objects that may be thrown or become entangled with the unit.

- Clear the area of children, bystanders and pets; keep them outside a 50-foot (15 m) radius, at a minimum. Even then, they are still at risk from thrown objects. Encourage bystanders to wear eye protection. If you are approached, stop the unit immediately.
- Squeeze the throttle control and check that it returns automatically to the idle position. Make all adjustments or repairs before using the unit.
- This unit is intended for occasional, household use only.

SAFETY WARNINGS FOR GAS UNITS



WARNING: Gasoline is highly flammable and its vapors can explode if ignited. Take the following precautions:

- Store fuel only in containers specifically designed and approved for the storage of such materials.
- Always stop the engine and allow it to cool before filling the tank. Never remove the fuel tank cap or add fuel when the engine is hot. Always loosen the fuel tank cap slowly to relieve any pressure in the tank before fueling.
- Always mix and add fuel in a clean, well-ventilated outdoor area where there are no sparks or flames. DO NOT smoke.
- Never operate the unit without the fuel cap securely in place.
- Avoid creating a source of ignition for spilled fuel. Wipe up any spilled fuel from the unit immediately, before starting the unit. Move the unit at least 30 ft. (9.1 m) from the fueling source and site before starting the engine. DO NOT smoke.
- Never start or run the unit inside a closed room or building. Breathing exhaust fumes can kill. Operate this unit only in a well ventilated outdoor area.

WHILE OPERATING

- Wear safety glasses or goggles that meet current ANSI / ISEA Z87.1 standards and are marked as such. Wear ear/hearing protection when operating this unit. Wear a face mask or dust mask if the operation is dusty.
- Wear heavy long pants, boots, gloves and a long sleeve shirt. Do not wear loose clothing, jewelry, short pants, sandals or go barefoot. Secure hair above shoulder level.
- Use the unit only in daylight or good artificial light.
- Avoid accidental starting. Be in the starting position whenever pulling the starter rope. The operator and unit must be in a stable position while starting. Refer to *Starting and Stopping*.
- Use the right tool. Only use this tool for its intended purpose.
- Always hold the unit with a firm grip when operating.
- Do not overreach. Always keep proper footing and balance. Take extra care when working on stairs, steep slopes or inclines. To avoid serious injury, do not operate the unit while on a ladder or a roof.
- Keep hands, face, and feet away from all moving parts. Do not touch or try to stop moving parts.
- Do not touch the engine or muffler. These parts get extremely hot from operation, even after the unit is turned off.
- Do not operate the unit faster than the speed needed to do the job. Do not run the unit at high speed when not in use.
- Do not force the unit. It will do a better, safer job when used at the intended rate.
- Always stop the unit when operation is delayed or when walking from one location to another.
- If you strike or become entangled with a foreign object, stop the unit immediately and check for damage. Do not operate the unit before repairing damage. Do not operate the unit with loose or damaged parts.
- Turn the engine to off and disconnect the spark plug for maintenance or repair.
- Use only original equipment manufacturer (OEM) replacement parts and accessories for this unit. These are available from your authorized service dealer. Use of any other parts or accessories could lead to serious injury to the user, or damage to the unit, and void the warranty.

- Keep the unit clean. Carefully remove vegetation and other debris that could block moving parts.
- To reduce fire hazard, replace a faulty muffler and spark arrestor. Keep the engine and muffler free from grass, leaves, excessive grease or carbon build up.
- If the unit starts to vibrate abnormally, stop the unit immediately. Inspect the unit for the cause of the vibration. Vibration is generally an indicator of trouble.

BLOWER SAFETY

- Do not insert anything into the air openings, blower tubes or nozzle. Do not operate the unit if any of the air openings or tubes are blocked. Keep the air openings free from dust, lint, hair and anything else that may reduce airflow.
- Do not operate the unit without the blower tubes securely attached.
- Do not use the unit to spray liquids, especially flammable or combustible liquids, such as gasoline. Do not use the unit in areas where such liquids are present.
- Do not use the unit for spreading chemicals, fertilizer or any other substance that may contain toxic materials.
- Do not set the unit down on any surface while the unit is running. Debris can be picked up by the air intake and thrown out the discharge opening, resulting in damage to the unit or property or causing serious injury to bystanders or the operator.
- During operation, never point the unit in the direction of people, animals, windows or automobiles. Always direct blowing debris away from people, animals, windows or automobiles.
- Use extra caution when blowing debris near solid objects, such trees, walls, fences, etc. When possible, blow away from such objects, not toward them.
- Take care when working near valuable plants. The force of the blown air could damage tender plants.
- Never attempt to clear a clogged air intake opening while the unit is running.
- Keep hair, fingers and all other body parts away from moving parts and openings.







OTHER SAFETY WARNINGS









- Maintain the unit with care.
- All service, other than the maintenance procedures described in this manual, should be performed by an authorized service dealer.
- Never remove, modify or make inoperative any safety device furnished with the unit.
- Before inspecting, servicing, cleaning, storing, transporting or replacing any parts on the unit:
 1. Stop the unit.
 2. Make sure all moving parts have stopped.
 3. Allow the unit to cool.
 4. Disconnect the spark plug wire.
- Secure the unit while transporting.
- Never store the unit with fuel in the tank, inside a building where fumes may reach an open flame (pilot lights, etc.) or sparks (switches, electrical motors, etc.).
- Store the unit in a dry place, secured or at a height to prevent unauthorized use or damage. Keep the unit out of the reach of children.
- Never douse or squirt the unit with water or any other liquid. Keep handles dry and clean (free from debris, oil and grease). Clean the unit after each use. Refer to *Cleaning and Storage*. Do not use solvents or strong detergents.
- Keep these instructions. Refer to them often and use them to instruct other users. If you loan this unit to others, also loan them these instructions.

SAVE THESE INSTRUCTIONS

• SAFETY & INTERNATIONAL SYMBOLS •

This operator's manual describes safety and international symbols and pictographs that may appear on this product. Read the operator's manual for complete safety, assembly, operating and maintenance and repair information.

SYMBOL	MEANING
	<ul style="list-style-type: none"> • SAFETY ALERT SYMBOL Indicates danger, warning or caution. May be used in conjunction with other symbols or pictographs.
	<ul style="list-style-type: none"> • READ OPERATOR'S MANUAL WARNING: Read the operator's manual(s) and follow all warnings and safety instructions. Failure to do so can result in serious injury to the operator and/or bystanders.
	<ul style="list-style-type: none"> • WEAR EYE AND HEARING PROTECTION WARNING: Thrown objects and loud noise can cause severe eye injury and hearing loss. Wear eye protection meeting current ANSI / ISEA Z87.1 standards and ear protection when operating this unit. Use a full face shield when needed.
	<ul style="list-style-type: none"> • UNLEADED FUEL Always use clean, fresh unleaded fuel.
	<ul style="list-style-type: none"> • OIL Refer to operator's manual for the proper type of oil.
	<ul style="list-style-type: none"> • DO NOT USE E85 FUEL IN THIS UNIT WARNING: It has been proven that fuel containing greater than 10% ethanol will likely damage this engine and void the warranty.

SYMBOL	MEANING
	<ul style="list-style-type: none"> • ON/OFF STOP CONTROL ON / START / RUN
	<ul style="list-style-type: none"> • ON/OFF STOP CONTROL OFF or STOP
	<ul style="list-style-type: none"> • PRIMER BULB Push primer bulb, fully and slowly, 10 times.
	<ul style="list-style-type: none"> • CHOKE CONTROL <ol style="list-style-type: none"> • FULL choke position • PARTIAL choke position • RUN choke position
	<ul style="list-style-type: none"> • THROWN OBJECTS CAN CAUSE SEVERE INJURY WARNING: Small objects can be propelled at high speed, causing injury.
	<ul style="list-style-type: none"> • KEEP BYSTANDERS AWAY WARNING: Keep all bystanders, especially children and pets, at least 50 feet (15 m) from the operating area.
	<ul style="list-style-type: none"> • HOT SURFACE WARNING: Do not touch a hot muffler or cylinder. You may get burned. These parts get extremely hot from operation. When turned off, they remain hot for a short time.
	<ul style="list-style-type: none"> • BLOWERS - ROTATING IMPELLER BLADES CAN CAUSE SEVERE INJURY WARNING: Stop the unit and allow the impeller to stop before changing tubes, cleaning or performing any maintenance. Keep hands and feet away from moving parts.

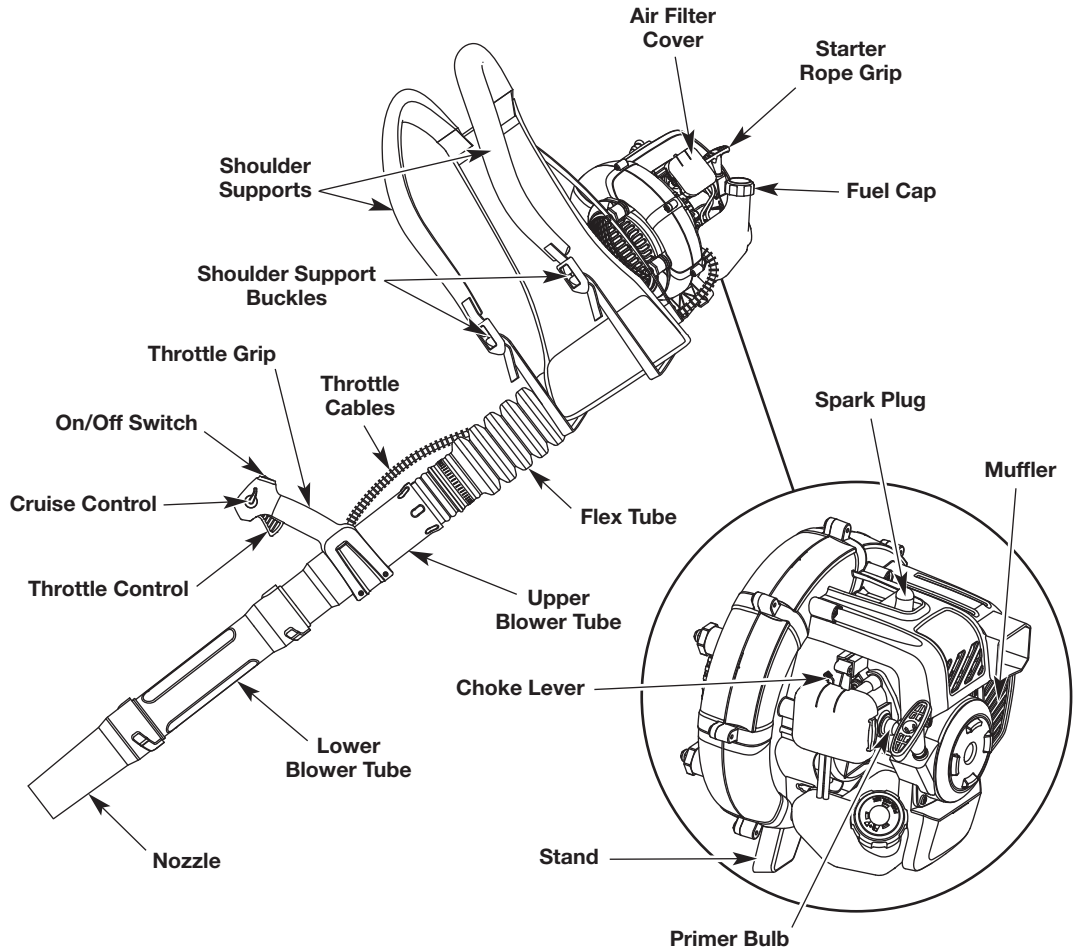
KNOW YOUR UNIT

APPLICATIONS

- Cleaning yards, garages, driveways, porches, patios, around walls, fences and more

ASSEMBLY TOOLS REQUIRED:

- Flat-head Screwdriver
- T-20 Torx® Screwdriver



SPECIFICATIONS*

Engine Type	Air-Cooled, 2-Cycle
Displacement	27 cc (1.64 cu. in.)
Spark Plug Gap	0.025 in. (0.635 mm)
Spark Plug	Champion® RDJ7J or equivalent plug
Lubrication	Fuel/Oil Mixture
Fuel/Oil Ratio	40:1
Fuel Tank Capacity	20 oz. (591 ml)
Approximate Unit Weight (No fuel)	17 - 18 lbs. (7.7 - 8.2 kg)
Air Volume** (measured at: outlet / lower tube / nozzle)	445 / 425 / 275 cfm (12 / 12 / 7 m ³ /min)
Air Speed (Peak)** (measured at: outlet / lower tube / nozzle)	125 / 115 / 150 mph (201 / 185 / 241 km/h)
Air Speed (Average)** (measured at: outlet / lower tube / nozzle)	100 / 90 / 145 mph (161 / 145 / 233 km/h)

* All specifications are based on the latest product information available at the time of printing. We reserve the right to make changes at any time without notice.

** Per ANSI B175.2.

ASSEMBLING THE BLOWER TUBE



WARNING: To avoid serious personal injury and damage to the unit, shut the unit off before removing or installing blower tubes or nozzles.

Installing the Flex Tube

1. Place a hose clamp around one end of the flex tube (Fig. 1).
2. Slide the flex tube and hose clamp onto the elbow tube (Fig. 1).
3. Tighten the screw on the hose clamp with a flat-head screwdriver (Fig. 1).

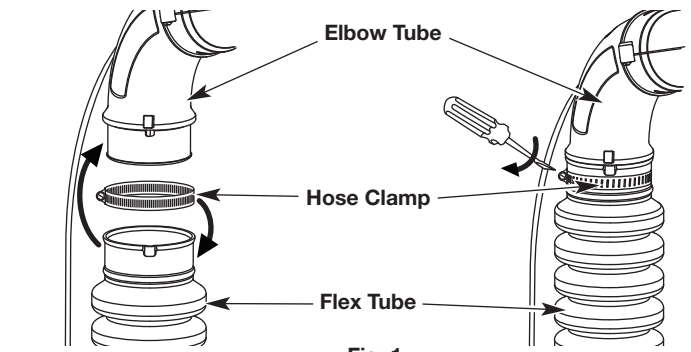


Fig. 1

Installing the Upper Blower Tube

1. Place a hose clamp around the other end of the flex tube (Fig. 2).
2. Slide the flex tube and hose clamp onto the upper end of the upper blower tube (Fig. 2).
3. Tighten the screw on the hose clamp with a flat-head screwdriver (Fig. 2).

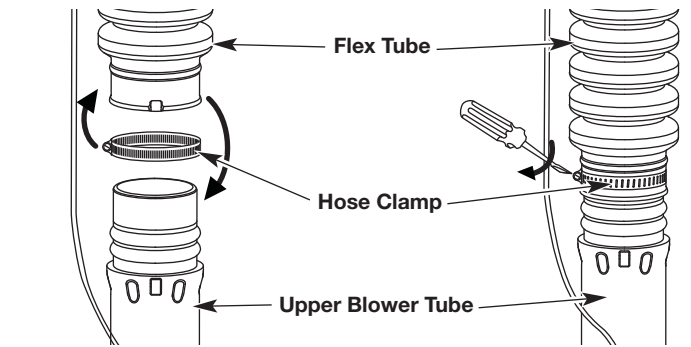


Fig. 2

Installing the Lower Blower Tube

1. Align the bump on the upper blower tube with the bump slot on the lower blower tube (Fig. 3).
2. Insert the upper blower tube into the lower blower tube (Fig. 3).
3. While holding the upper blower tube, twist the lower blower tube clockwise until it locks into place (Fig. 3).

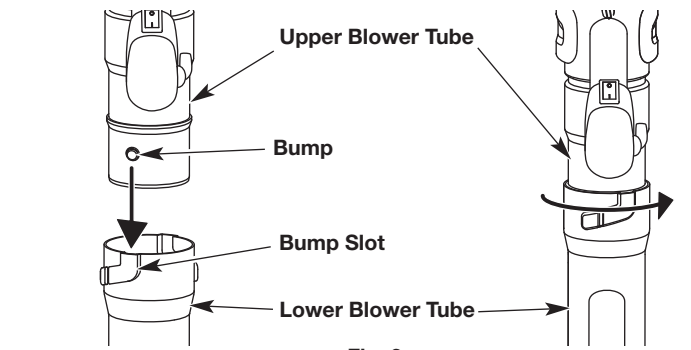


Fig. 3

Installing the Nozzle

1. Align the bump on the lower blower tube with the bump slot on the nozzle (Fig. 4).
2. Insert the lower blower tube into the nozzle (Fig. 4).
3. While holding the lower blower tube, twist the nozzle clockwise until it locks into place (Fig. 4).

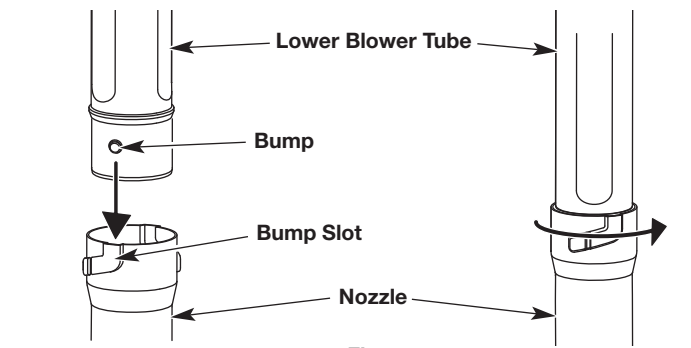


Fig. 4

Securing the Throttle Cables

1. Wrap a zip tie around the elbow tube and the throttle cables (Fig. 5).
2. Carefully tighten the zip tie. Do not crimp the throttle cables.

Adjusting the Throttle Grip

1. Move the throttle grip to a location on the upper blower tube that provides the best grip (Fig. 6).
2. Tighten the two screws on the throttle grip with a T-20 Torx® screwdriver until the throttle grip is secure (Fig. 6).

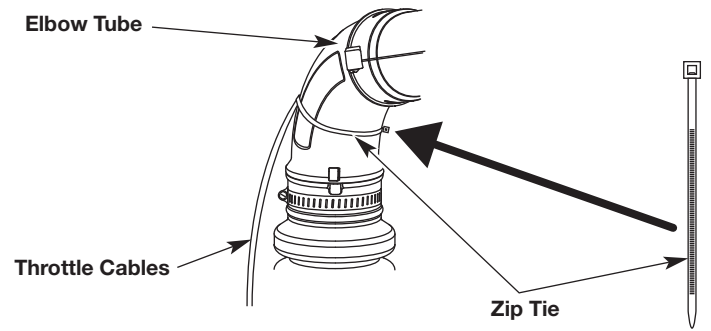


Fig. 5

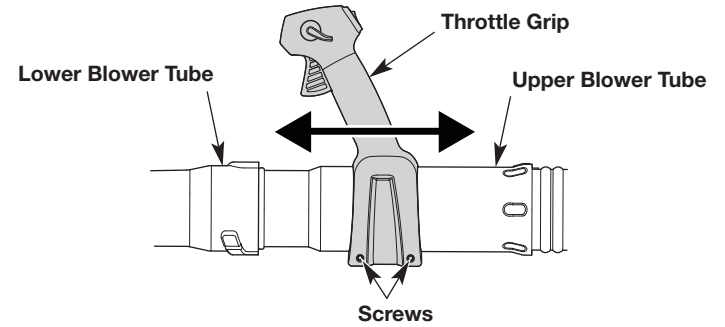


Fig. 6

OIL AND FUEL

OIL AND FUEL MIXING INSTRUCTIONS

The use of old and/or improperly mixed fuel is the most common cause of performance problems. Use only fresh, clean unleaded gasoline. Follow the instructions carefully for the proper gasoline/oil mixture.

Definition of Blended Fuels

Today's fuels are often a blend of gasoline and oxygenates such as ethanol, methanol or MTBE (ether). Alcohol-blended fuel absorbs water. As little as 1% water in the fuel can make fuel and oil separate, forming acids when stored. ALWAYS use fresh fuel (less than 30 days old).

NOTE: Dispose of old fuel according to federal, state and local regulations.

Using Blended Fuels

If using a blended fuel:

- Always use the fresh fuel mix explained in your operator's manual
- Use the fuel additive STA-BIL® or an equivalent
- Always agitate the fuel mix before fueling the unit
- Drain the tank and run the engine dry before storing the unit



WARNING: DO NOT USE E85 FUEL IN THIS UNIT. It has been proven that fuel containing greater than 10% ethanol will likely damage this engine and void the warranty.

Using Fuel Additives

The bottle of 2-cycle oil provided with this unit contains a fuel additive to help inhibit corrosion and minimize gum deposits. Always use the brand of 2-cycle oil that came with this unit. If this is unavailable, use a 2-cycle oil designed for air-cooled engines and mix it with a fuel additive, such as STA-BIL Fuel Stabilizer or an equivalent. Add 0.8 oz. (23 ml) of fuel additive per gallon of fuel, according to the instructions on the container. NEVER add fuel additives directly to the unit's fuel tank.



Mixing the Fuel

NOTE: This unit comes with a 3.2 oz. (95 ml) bottle of 2-cycle oil. To obtain the correct fuel mixture described below, pour the entire bottle into one gallon of unleaded gasoline.



CAUTION: For proper engine operation and maximum reliability, pay strict attention to the gasoline and oil mixing instructions on the 2-cycle oil bottle. Using improperly mixed fuel can severely damage the engine.

Thoroughly mix the proper ratio of unleaded gasoline with 2-cycle engine oil. Do not mix them directly in the unit's fuel tank. Use a separate fuel can. Use a 40:1 gasoline/oil ratio. See the table below for specific gasoline and oil mixing ratios.

	
Unleaded gasoline	2-cycle oil
1 gallon U.S. (3.8 liters)	3.2 fl. oz. (95 ml)
1 liter	25 ml

MIXING RATIO - 40:1

FUELING THE UNIT



WARNING: Gasoline is extremely flammable. Ignited vapors may explode. Always stop the engine and allow it to cool before filling the fuel tank. Do not smoke while filling the tank. Keep sparks and open flames at a distance from the area.



WARNING: Remove the fuel cap slowly to avoid injury from fuel spray. Never operate the unit without the fuel cap securely in place.



WARNING: Add fuel in a clean, well ventilated outdoor area. Wipe up any spilled fuel immediately. Avoid creating a source of ignition for spilled fuel. Do not start the engine until fuel vapors dissipate.

1. Position the unit with the fuel cap facing up.
2. Remove the fuel cap.
3. Place the fuel container spout into the fill hole on the fuel tank and fill the tank.

NOTE: Do not overfill the tank.

4. Wipe up any fuel that may have spilled.
5. Reinstall the fuel cap.
6. Move the unit at least 30 ft. (9.1 m) from the fuel container and the fueling site before starting the engine.

STARTING AND STOPPING



WARNING: Operate this unit only in a well-ventilated outdoor area. Carbon monoxide exhaust fumes can be lethal in a confined area.



WARNING: Avoid accidentally starting the unit. To avoid serious injury, the operator and the unit must be in a stable position when pulling the starter rope (Fig. 9).



WARNING: When starting the unit, make sure it is not directed toward people, animals, windows, automobiles or loose debris.

STARTING INSTRUCTIONS

1. Mix gasoline with oil. Refer to *Oil and Fuel Mixing Instructions*.
2. Fill the fuel tank. Refer to *Fueling the Unit*.

NOTE: There is no need to turn the unit on. The On/Off switch is in the ON (1) position at all times (Fig. 7).

3. Slowly press and release the primer bulb **10 times** (Fig. 8). If fuel cannot be seen in the primer bulb, press and release the primer bulb until fuel is visible.
4. Move the choke lever to **Position 1** (Fig. 8).
5. Move the cruise control to the **FAST** position (Fig. 7).

NOTE: Keep the cruise control in the **FAST** position for **ALL** further steps.

6. Crouch in the starting position (Fig. 9).
7. Pull the starter rope with a controlled and steady motion **5 times** (Fig. 9).
8. Move the choke lever to **Position 2** (Fig. 8).
9. Pull the starter rope with a controlled and steady motion **3 to 5 times** to start the engine.
10. Allow the engine to warm up for 30 to 60 seconds.
11. Move the choke lever to **Position 3** (Fig. 8) and continue warming the engine for an additional 60 seconds. The unit may be used during this time.

NOTE: The engine is properly warmed up when it accelerates without hesitation.

NOTE: Once the engine is properly warmed, the cruise control may be adjusted and the throttle control can be used normally.

IF... the engine hesitates, return the choke lever to **Position 2** (Fig. 8) and continue the warm-up.

IF... the engine does not start, begin the starting procedure with step 3.

IF... the engine fails to start after a few attempts, move the choke lever to **Position 3** and move the cruise control to the **FAST** position. Pull the starter rope with a controlled and steady motion **3 to 8 times**. The engine should start. If it does not, repeat this instruction.

IF... the engine is already warm, begin the starting procedure with step 8.

STOPPING INSTRUCTIONS

1. Release the throttle control, or move the cruise control to the **SLOW** position, and allow the engine to idle.
2. Press and hold the On/Off switch in the **OFF (O)** position until the engine comes to a complete stop (Fig. 7).

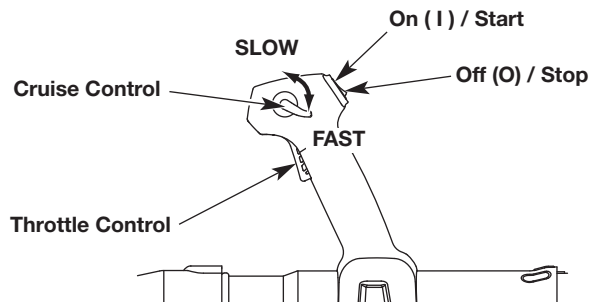


Fig. 7

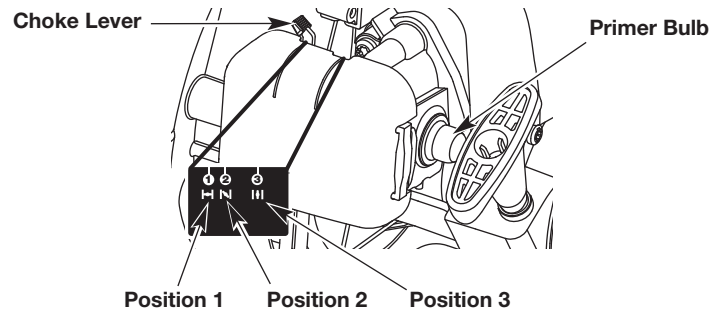


Fig. 8

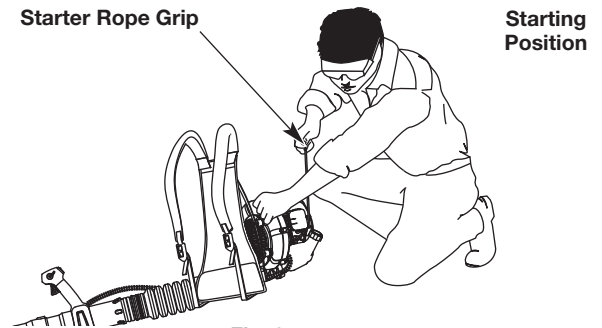


Fig. 9

OPERATION



WARNING: To prevent serious personal injury, never operate the unit without the blower tubes firmly installed.



WARNING: Always wear eye, hearing, hand, foot and body protection to reduce the risk of injury when operating this unit. Wear a face mask or dust mask if the operation is dusty.

PUTTING ON AND TAKING OFF THE UNIT

Putting On the Unit

1. Place the shoulder supports over both shoulders. The engine should rest securely on the operator's back.
2. Pull the shoulder support straps down to tighten the shoulder supports (Fig. 10).

NOTE: Start the unit before putting it on. Refer to *Starting and Stopping*.

Taking Off the Unit

1. Pull the tabs on the bottom of the shoulder support buckles up to loosen the shoulder supports (Fig. 11).
2. Remove the unit.

HOLDING THE UNIT

- Stand in the operating position (Fig. 12). Stand up straight. Do not bend over.
- Keep feet apart and firmly planted.
- Hold the throttle grip with the right hand. Keep the right arm slightly bent.
- Make sure the unit is secure and comfortable on the operator's back.

TIPS FOR BEST RESULTS

- Conserve water by using the blower instead of a hose to perform many outdoor cleaning actions.
- Operate the unit only at reasonable hours, not early in the morning or late at night when people might be disturbed. Comply with times listed in local ordinances. Usual recommendations are 9:00 a.m. to 5:00 p.m., Monday through Saturday.
- To reduce noise levels, operate the unit at the lowest speed needed to do the job. Limit the number of pieces of power equipment used at any one time.
- Use rakes or brooms to loosen debris before operation.
- In dusty conditions, slightly dampen surfaces.
- Use the cruise control to make continuous operation easier (Fig. 7).
- Watch out for children, pets, open windows and freshly washed cars. Blow debris safely away. Never direct the unit toward anyone while the unit is in operation.
- Sweep the unit from side to side with the blower tube several inches above the ground. Slowly advance, keeping the accumulated debris in front of the operator.
- Use the nozzle to concentrate the air stream closer to the ground.
- Clean up after operation. Dispose of debris appropriately.

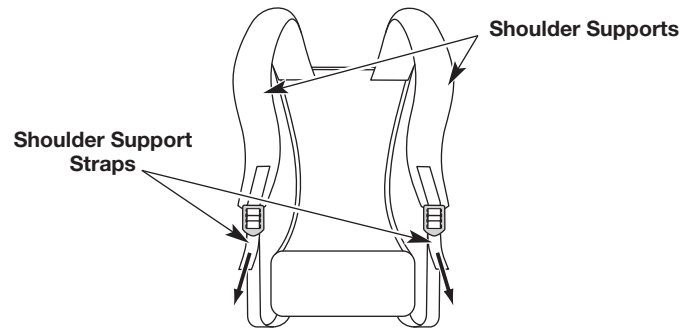


Fig. 10

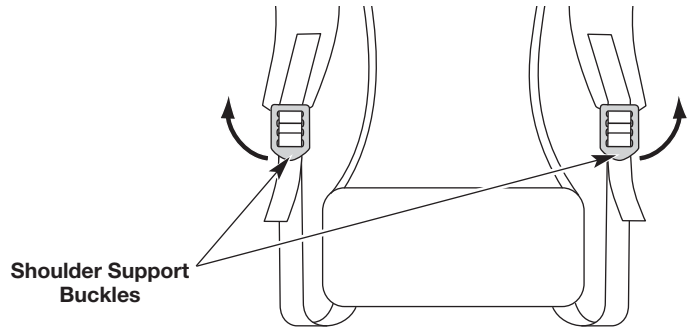



Fig. 11



Fig. 12

	<p>WARNING: To prevent serious injury, never perform maintenance or repairs while the unit is running. Always allow the unit to cool before servicing or repairing the unit. Disconnect the spark plug wire to prevent the unit from starting accidentally.</p>
----------------------------------------------------------------------------------	------------------------------------------------------------------------------------------------------------------------------------------------------------------------------------------------------------------------------------------------------------------------

MAINTENANCE SCHEDULE

Perform these required maintenance procedures at the frequency stated in the table. These procedures should also be a part of any seasonal tune-up.


NOTE: Some maintenance procedures may require special tools or skills. If you are unsure about these procedures, take the unit to an MTD authorized service dealer.

NOTE: Maintenance, replacement, or repair of the emission control devices and system may be performed by an MTD authorized service dealer.

NOTE: Please read the California/EPA statement that came with the unit for a complete listing of terms and coverage for the emissions control devices, such as the spark arrestor, muffler, carburetor, etc.

FREQUENCY	MAINTENANCE REQUIRED
Every 10 hours	<ul style="list-style-type: none"> • Clean and re-oil the air filter. Refer to <i>Maintaining the Air Filter</i>.
Every 25 hours	<ul style="list-style-type: none"> • Check the spark plug condition and gap. Refer to <i>Maintaining the Spark Plug</i>.

MAINTAINING THE AIR FILTER

	<p>WARNING: To avoid serious personal injury, always stop the engine and allow it to cool before cleaning or maintaining the unit.</p>
------------------------------------------------------------------------------------	-----------------------------------------------------------------------------------------------------------------------------------------------

Failure to maintain the air filter can result in poor performance or can cause permanent damage to the engine. Engine failure due to improper air filter maintenance is not covered by the product warranty.

Cleaning the Air Filter

1. Open the air filter cover: press in the lock tab and swing the air filter cover to the left (Fig. 13).
2. Remove the air filter (Fig. 13).
3. Wash the air filter in detergent and water. Rinse the air filter thoroughly and allow it to dry.
4. Lightly coat the air filter with clean SAE 30 oil.
5. Squeeze the air filter to spread and remove excess oil.
6. Reinstall the air filter (Fig. 13).

NOTE: Operating the unit without the air filter and air filter cover will VOID the warranty.

7. Close the air filter cover: insert the tabs on the air filter cover into the slots on the backplate. Swing the air filter cover to the right and press it closed until the lock tab snaps into place (Fig. 13).

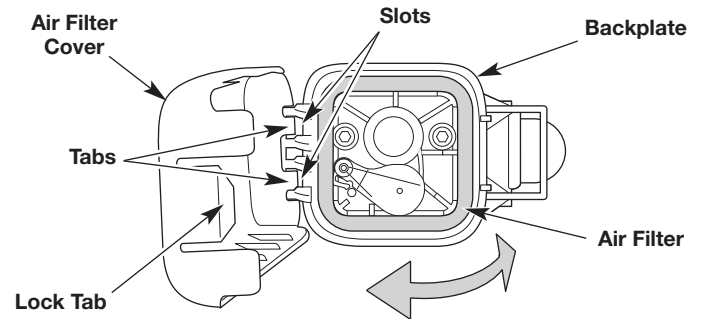


Fig. 13

ADJUSTING THE IDLE SPEED



WARNING: Wear protective clothing and observe all safety instructions to prevent serious personal injury.

NOTE: Careless adjustments can seriously damage the unit. An authorized service dealer should make carburetor adjustments.

If, after checking the fuel and cleaning the air filter, the engine still will not idle, adjust the idle speed screw as follows:

1. Start the engine. Refer to *Starting and Stopping*.
2. Move the cruise control to the SLOW position and let the engine idle.
 - If the engine stops, use a small Phillips screwdriver to turn the idle speed screw clockwise, 1/8 of a turn at a time (as needed) until the engine idles smoothly (Fig. 14).
 - If the engine idles too quickly, turn the idle speed screw counterclockwise, 1/8 of a turn at a time (as needed) to reduce the idle speed (Fig. 14).

Checking the fuel, cleaning the air filter, and adjusting the idle speed should solve most engine problems. If not, and any of the following conditions are true, take the unit to an authorized service dealer:

- the engine will not idle
- the engine hesitates or stalls on acceleration
- there is a loss of engine power

MAINTAINING THE SPARK PLUG

1. Stop the engine and allow it to cool. Grasp the spark plug boot firmly and pull it from the spark plug.
2. Clean around the spark plug. Remove the spark plug from the cylinder head with a 5/8-inch socket, turning counterclockwise.



WARNING: Do not sand blast, scrape or clean spark plug electrodes. Grit in the engine could damage the cylinder.

3. Inspect the spark plug. If the spark plug is cracked, fouled or dirty, replace it with a replacement part **#753-06193**, a **Champion RDJ7J** or an equivalent spark plug.
4. Use a feeler gauge to set the air gap at **0.025 in. (0.635 mm)** (Fig. 15).
5. Install the spark plug in the cylinder head. Tighten the spark plug with a 5/8-inch socket, turning it clockwise until snug.

NOTE: If using a torque wrench, torque to:

110-120 in.•lb. (12.3-13.5 N•m). Do not over tighten.

6. Reattach the spark plug boot.

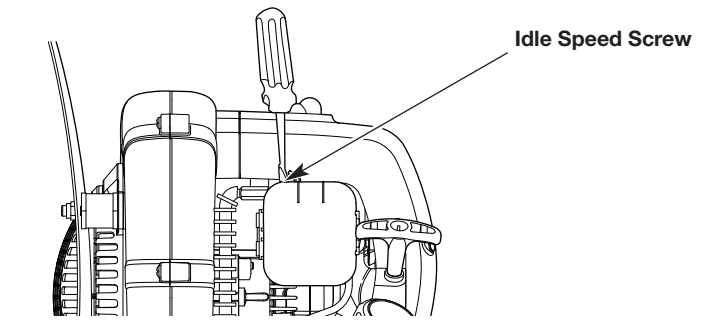


Fig. 14

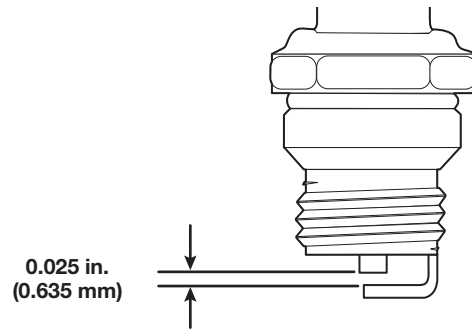


Fig. 15

CLEANING AND STORAGE

CLEANING



WARNING: To avoid serious personal injury, always stop the engine and allow it to cool before cleaning or maintaining the unit.

Use a small brush to clean the outside of the unit. Do not use strong detergents. Household cleaners that contain aromatic oils such as pine and lemon, and solvents such as kerosene, can damage plastic. Wipe off any moisture with a soft cloth.

STORAGE

- Never store a fueled unit where fumes may reach an open flame or spark.
- Allow the engine to cool before storing.
- Lock up the unit to prevent unauthorized use or damage.
- Store the unit in a dry, well-ventilated area.
- Store the unit out of the reach of children.

Long-term Storage

1. Remove the fuel cap, tip the unit and drain the fuel into an approved container. Reinstall the fuel cap.
2. Start the engine and allow it to run until it stalls. This ensures that all fuel has been drained from the carburetor.
3. Allow the engine to cool. Remove the spark plug and put 5 drops of any high-quality motor oil or 2-cycle oil into the cylinder. Pull the starter rope slowly to distribute the oil. Reinstall the spark plug.
4. Thoroughly clean the unit and inspect it for any loose or damaged parts. Repair or replace damaged parts and tighten loose screws, nuts or bolts.

Preparing the Unit for Use after Long-term Storage

1. Remove the spark plug and drain all of the oil from the cylinder.

NOTE: Do not use fuel that has been stored for more than 30 days. Dispose of old fuel according to federal, state and local regulations.

TROUBLESHOOTING

PROBLEM	SOLUTION
THE ENGINE WILL NOT START	
The fuel tank is empty	Fill the fuel tank with properly mixed fuel
The primer bulb was not pressed enough	Press the primer bulb 10 times or until fuel is visible
The engine is flooded	Move the choke lever to Position 3, squeeze the throttle control and pull the starter rope
The fuel is old (over 30 days) and/or improperly mixed	Drain the fuel tank and add fresh, properly mixed fuel
The spark plug is fouled	Replace the spark plug
THE ENGINE WILL NOT IDLE	
The air filter is dirty	Clean or replace the air filter
The fuel is old (over 30 days) and/or improperly mixed	Drain the fuel tank and add fresh, properly mixed fuel
The idle speed is incorrect	Adjust the idle speed
THE ENGINE WILL NOT ACCELERATE	
The fuel is old (over 30 days) and/or improperly mixed	Drain the fuel tank and add fresh, properly mixed fuel
The air filter is dirty	Clean or replace the air filter
THE ENGINE LACKS POWER OR STALLS	
The fuel is old (over 30 days) and/or improperly mixed	Drain the fuel tank and add fresh, properly mixed fuel
The air filter is dirty	Clean or replace the air filter
The spark plug is fouled	Replace the spark plug

If further assistance is required, contact an authorized service dealer.

MANUFACTURER'S LIMITED WARRANTY FOR:

REMINGTON®

The limited warranty set forth below is given by Remington LLC (Remington) with respect to new merchandise purchased and used in the United States, its possessions and territories.

Remington warrants this product against defects in material and workmanship for a period of two (2) years commencing on the date of original purchase and will, at its option, repair or replace, free of charge, any part found to be defective in material or workmanship. This limited warranty shall only apply if this product has been operated and maintained in accordance with the Operator's Manual furnished with the product, and has not been subject to misuse, abuse, commercial use, neglect, accident, improper maintenance, alteration, vandalism, theft, fire, water or damage because of other peril or natural disaster. Damage resulting from the installation or use of any accessory or attachment not approved by Remington for use with the product(s) covered by this manual will void your warranty as to any resulting damage. This warranty is limited to ninety (90) days from the date of original retail purchase for any Remington product that is used for rental or commercial purposes, or any other income-producing purpose.

HOW TO OBTAIN SERVICE: Warranty service is available, WITH PROOF OF PURCHASE THROUGH YOUR LOCAL AUTHORIZED SERVICE DEALER. To locate the dealer in your area, visit our website at www.remingtonpowertools.com, check for a listing in the Yellow Pages, call **1-866-206-2707** or **1-877-696-5533** in Canada, or write to P.O. Box 361032, Cleveland, OH 44136. No product returned directly to the factory will be accepted unless prior written permission has been extended by the Customer Service Department of Remington.

This limited warranty does not provide coverage in the following cases:

- A. Tune-ups - Spark Plugs, Carburetor Adjustments, Filters
- B. Wear items - Bump Knobs, Outer Spools, Cutting Line, Inner Reels, Starter Pulley, Starter Ropes, Drive Belts, Saw Chains, Guide Bars, Cultivator Tines, Blades.
- C. Remington does not extend any warranty for products sold or exported outside of the United States of America, its possessions and territories, except those sold through Remington's authorized channels of export distribution.

Remington reserves the right to change or improve the design of any Remington Product without assuming any obligation to modify any product previously manufactured.

No implied warranty, including any implied warranty of merchantability or fitness for a particular purpose, applies after the applicable period of express written warranty above as to the parts as identified. No other express warranty or guaranty, whether written or oral, except as mentioned above, given by any person or entity, including a dealer or retailer, with respect to any product shall bind Remington. During the period of the Warranty, the exclusive remedy is repair or replacement of the product as set forth above. (Some states do not allow limitations on how long an implied warranty lasts, so the above limitation may not apply to you.)

The provisions as set forth in this Warranty provide the sole and exclusive remedy arising from the sales. Remington shall not be liable for incidental or consequential loss or damages including, without limitation, expenses incurred for substitute or replacement lawn care services, for transportation or for related expenses, or for rental expenses to temporarily replace a warranted product. (Some states do not allow limitations on how long an implied warranty lasts, so the above limitation may not apply to you.)

In no event shall recovery of any kind be greater than the amount of the purchase price of the product sold. Alteration of the safety features of the product shall void this Warranty. You assume the risk and liability for loss, damage, or injury to you and your property and/or to others and their property arising out of the use or misuse or inability to use the product.

This limited warranty shall not extend to anyone other than the original purchaser, original lessee or the person for whom it was purchased as a gift.

How State Law Relates to this Warranty: This warranty gives you specific legal rights, and you may also have other rights which vary from state to state.

To locate your nearest service dealer, dial **1-866-206-2707** in the United States or **1-877-696-5533** in Canada.

REMINGTON LLC

P.O. Box 361032
Cleveland, OH 44136

REMINGTON®

Manuel de l'utilisateur

**Souffleuse 2 cycles
à porter sur le dos**

RM2BP

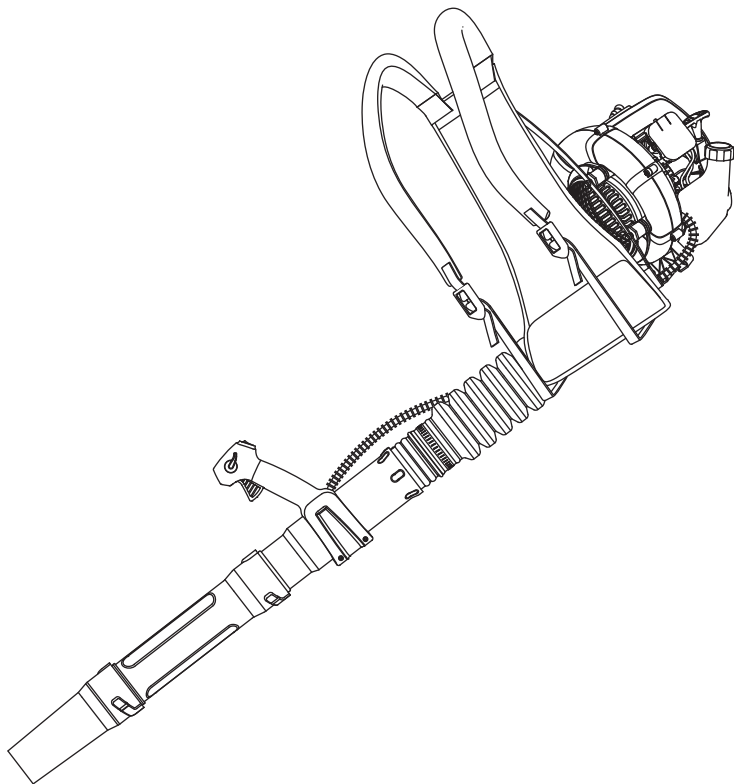


TABLE DES MATIÈRES

Service	17
Sécurité	18
Familiarisez-vous avec votre appareil	22
Spécifications	22
Assemblage	23
Huile et carburant	25
Démarrage et arrêt	26
Utilisation	27
Entretien	28
Nettoyage et entreposage	30
Résolution des problèmes	31
Garantie	32

CONSERVEZ CES INSTRUCTIONS

SERVICE

**NE RAMENEZ PAS CET APPAREIL CHEZ LE DÉTAILLANT.
UNE PREUVE D'ACHAT SERA EXIGÉE POUR TOUTE
PRISE EN CHARGE DANS LE CADRE DE LA GARANTIE.**

Si vous éprouvez des difficultés à assembler ce produit ou si vous avez des questions sur les commandes, l'utilisation ou l'entretien de cet appareil, veuillez contacter le service à la clientèle en composant le **1-866-206-2707** aux États-Unis ou le **1-877-696-5533** au Canada. Des informations supplémentaires sont disponibles sur notre site web : **www.remingtonpowertools.com**.

Pour un entretien ou une réparation, veuillez appeler le service clientèle pour obtenir une liste complète des professionnels agréés près de chez vous. L'entretien de cet appareil doit être confié exclusivement à un professionnel agréé pendant et après la période de garantie. Utilisez uniquement des pièces de rechange identiques.

Toutes les informations, illustrations et spécifications contenues dans ce manuel tiennent compte des dernières informations techniques disponibles au moment de mettre sous presse. Nous nous réservons le droit d'y apporter des modifications à tout moment, sans préavis.

Copyright © 2014 MTD SOUTHWEST INC., Tous droits réservés.

IMPORTANT : Lisez attentivement ce manuel avant d'utiliser ce produit. Respectez toutes les instructions.

Les symboles de sécurité visent à attirer votre attention sur les dangers éventuels. Vous devez accorder une attention particulière aux symboles de sécurité afin de bien les comprendre. Les avertissements de sécurité n'éliminent pas les dangers en eux-mêmes. Les instructions ou mises en garde ne remplacent en rien les mesures de prévention appropriées contre les accidents.

SYMBOLE SIGNIFICATION

	DANGER : indique un danger EXTRÊME. Le non-respect d'un symbole de DANGER ENTRAÎNERA des blessures graves, voire un décès, de l'opérateur ou d'autres personnes.
	AVERTISSEMENT : indique un danger GRAVE. Le non-respect d'un symbole d' AVERTISSEMENT PEUT provoquer des blessures graves de l'opérateur ou d'autres personnes.
	ATTENTION : indique un danger MODÉRÉ. Le non-respect d'un symbole ATTENTION POURRAIT provoquer des blessures ou des dommages des biens de l'opérateur ou d'autres personnes.

REMARQUE : vous donne des informations ou des consignes essentielles pour l'utilisation ou l'entretien de l'équipement.

NOTE SUR LE PARE-ÉTINCELLES


REMARQUE : à l'intention des utilisateurs sur les terrains forestiers américains et dans les États de Californie, du Maine, de l'Oregon et de Washington. Tous les services des forêts américains et les États de Californie (codes des ressources publiques 4442 et 4443), de l'Oregon et de Washington exigent, au titre de la loi, que certains moteurs à combustion interne utilisés dans les broussailles de forêt et/ou les zones recouvertes d'herbe soient équipés d'un pare-étincelles, soient maintenus en bon état de marche, ou soient construits, équipés et entretenus en vue d'éviter tout risque d'incendie. Veuillez contacter les autorités nationales ou locales pour connaître les réglementations à cet égard. Le non-respect de ces exigences pourrait impliquer votre responsabilité ou entraîner une amende. **Cet appareil est équipé en usine d'un pare-étincelles.** Si un remplacement est nécessaire, communiquez avec votre distributeur local pour l'installation du silencieux approprié.

	PROPOSITION 65 DE L'ÉTAT DE CALIFORNIE AVERTISSEMENT : Ce produit contient un composé chimique reconnu dans l'état de la Californie comme produit pouvant provoquer des cancers et des malformations congénitales et affecter l'appareil reproducteur.
-----------------------------------------------------------------------------------	-------------------------------------------------------------------------------------------------------------------------------------------------------------------------------------------------------------------------------------------------------------------------

Veuillez lire le manuel de l'opérateur et respecter tous les avertissements et consignes de sécurité. Dans le cas contraire, l'opérateur et/ou les passants peuvent subir des blessures graves.

• CONSIGNES DE SÉCURITÉ IMPORTANTES •

VEUILLEZ LIRE TOUTES LES INSTRUCTIONS AVANT

	AVERTISSEMENT : Lorsque vous utilisez l'appareil, toutes les consignes de sécurité doivent être respectées. Veuillez lire ces consignes avant d'utiliser l'appareil pour assurer la sécurité de l'opérateur et de tous les passants. Veuillez conserver ces instructions pour référence ultérieure.
------------------------------------------------------------------------------------	------------------------------------------------------------------------------------------------------------------------------------------------------------------------------------------------------------------------------------------------------------------------------------------------------------

- Veuillez lire soigneusement ces instructions. Familiarisez-vous avec les commandes et l'utilisation correcte de l'appareil.
- N'utilisez pas cet appareil quand vous êtes fatigué, malade ou sous l'influence de boissons alcoolisées, de drogues ou de médicaments.
- Les enfants ne doivent pas utiliser cet appareil. Les adolescents doivent être supervisés par des adultes.
- Tous les carters et dispositifs de sécurité doivent être correctement installés avant l'utilisation de cet appareil.
- Inspectez l'appareil avant l'utilisation. Remplacez les pièces endommagées. Détectez les fuites de carburant éventuelles. Assurez-vous que toutes les fixations sont en place et bien serrées. Remplacez les pièces fissurées, ébréchées ou endommagées d'une manière ou d'une autre. N'utilisez pas l'appareil quand des pièces sont desserrées ou endommagées.

- Vous devez être conscient des risques de blessures à la tête, aux mains et aux pieds.
- Inspectez attentivement la zone de travail avant de démarrer l'appareil. Retirez les pierres, le verre cassé, les clous, les fils, les ficelles et autres objets qui peuvent être projetés ou s'enrouler dans l'appareil.
- Éloignez les enfants, les passants et les animaux domestiques ; ils doivent rester dans un rayon d'au moins 15 mètres (50 pieds). Même à cette distance, il existe néanmoins un risque de projectiles pour les personnes à proximité. Encouragez-les à porter des lunettes de sécurité. Si quelqu'un s'approche de vous, arrêtez immédiatement l'appareil.
- Appuyez sur la manette des gaz et vérifiez qu'elle revient automatiquement à la position de ralenti. Effectuez tous les réglages ou réparations avant d'utiliser l'appareil.
- Cet appareil est uniquement destiné à un usage domestique occasionnel.

AVERTISSEMENTS DE SÉCURITÉ POUR LES APPAREILS À GAZ



AVERTISSEMENT : L'essence est extrêmement inflammable et ses vapeurs peuvent exploser en présence d'une source d'inflammation. Prenez les précautions suivantes :

- Stockez le carburant uniquement dans des récipients spécifiquement conçus à cet usage et approuvés pour le stockage de telles substances.
- Arrêtez toujours le moteur et laissez-le refroidir avant de remplir le réservoir d'essence. N'enlevez jamais le bouchon du réservoir de carburant ou ne remplissez jamais ce dernier quand le moteur est chaud. Dévissez toujours lentement le bouchon du réservoir de carburant afin de relâcher toute pression présente avant de le remplir.
- Mélangez et ajoutez toujours le carburant dans une zone extérieure propre et bien aérée, en l'absence totale d'étincelles ou de flammes. NE fumez PAS.
- N'utilisez jamais l'appareil quand le bouchon du réservoir de carburant n'est pas correctement vissé.
- Évitez de créer une source d'inflammation en présence d'un déversement de carburant. Essayez immédiatement tout carburant échappé du réservoir avant de démarrer l'appareil. Éloignez l'appareil à 9,1 mètres (30 pieds) au moins de la source de ravitaillement et du site avant de démarrer le moteur. NE fumez PAS.
- Ne démarrez jamais ou n'utilisez jamais l'appareil à l'intérieur d'un espace ou d'un bâtiment clos. L'inhalation des fumées d'échappement peut tuer. Utilisez cet appareil uniquement dans une zone extérieure bien aérée.

PENDANT L'UTILISATION

- Portez des lunettes de sécurité conformes aux normes ANSI / ISEA Z87.1 en vigueur et marquées comme telles. Portez une protection auditive pendant l'utilisation de cet appareil. Portez un écran facial ou un masque antipoussières si la tâche est poussiéreuse.
- Portez un pantalon long et épais, des bottes, des gants et une chemise à manches longues. Ne portez pas des vêtements amples, des bijoux, un pantalon court, des sandales et ne travaillez pas pieds nus. Attachez vos cheveux au-dessus des épaules.
- Utilisez l'appareil uniquement en plein jour ou avec un bon éclairage artificiel.
- Évitez tout démarrage accidentel. Placez-vous dans la position de démarrage dès que vous tirez sur le câble de démarreur. L'opérateur et l'appareil doivent être dans une position stable pendant le démarrage. Consultez les sections *Mise en marche et Arrêt*.
- Utilisez le bon outil. Utilisez uniquement cet outil pour l'usage prévu.
- Tenez toujours fermement l'appareil lors de l'utilisation.
- Ne vous penchez pas trop en avant. Conservez toujours une position stable et un bon équilibre. Redoublez de prudence lorsque vous travaillez dans des escaliers, des pentes ou des rampes abruptes. Pour éviter les blessures graves, n'utilisez pas l'appareil lorsque vous vous trouvez sur une échelle ou un toit.
- Éloignez vos mains, votre visage et vos pieds des pièces mobiles. Ne touchez pas ou n'essayez pas d'arrêter des pièces en mouvement.
- Ne touchez pas le moteur ni le silencieux. Ces composants deviennent extrêmement chauds pendant l'utilisation, même après l'arrêt de l'appareil.
- N'utilisez pas l'appareil à une vitesse supérieure à celle nécessaire pour réaliser le travail. Ne faites pas fonctionner l'appareil à haute vitesse quand vous ne l'utilisez pas.

- Ne forcez pas l'appareil. Il sera plus efficace et plus sûr si vous l'utilisez à la vitesse pour laquelle il a été conçu.
- Arrêtez toujours l'appareil quand le travail est interrompu ou quand vous vous déplacez d'un endroit à un autre.
- Si vous heurtez ou enrôlez un objet étranger dans l'appareil, arrêtez immédiatement l'appareil et vérifiez les dommages éventuels. Ne redémarrez pas l'appareil avant de l'avoir réparé. N'utilisez pas l'appareil quand des pièces sont desserrées ou endommagées.
- Arrêtez le moteur et débranchez la bougie pour les tâches d'entretien ou les réparations.
- Utilisez uniquement des pièces et des accessoires de rechange du fabricant d'origine pour cet appareil. Ils sont disponibles auprès de votre centre de réparation agréé. L'utilisation d'autres pièces ou accessoires pourrait entraîner de graves blessures de l'utilisateur ou endommager l'appareil, et annuler la garantie.
- L'appareil doit rester propre. Retirez avec précaution la végétation et autres débris qui pourraient bloquer les pièces mobiles.
- Pour réduire les risques d'incendie, remplacez un pot d'échappement et un pare-étincelles défectueux. Nettoyez l'herbe, les feuilles, les couches de graisse excessives ou les dépôts de carbone présents sur le moteur et le pot d'échappement.
- Si l'appareil commence à vibrer de façon anormale, arrêtez-le immédiatement. Inspectez l'appareil pour découvrir l'origine des vibrations. Les vibrations indiquent en général un problème.

SÉCURITÉ DE LA SOUFFLEUSE

- N'insérez pas d'objet dans les ouvertures d'aération, les tubes ou les buses du ventilateur. N'utilisez pas l'appareil si l'une des ouvertures d'aération ou l'un des tubes sont bloqués. Gardez les ouvertures d'aération exemptes de poussière, de peluches, de cheveux et de tout ce qui peut réduire la circulation de l'air.
- Ne faites pas fonctionner l'appareil sans que les tubes de souffleuse soient sécuritairement fixés.
- N'utilisez pas l'appareil pour pulvériser des liquides, particulièrement des liquides inflammables ou combustibles, comme l'essence. N'utilisez pas l'appareil dans des zones où ces liquides sont présents.
- N'utilisez pas l'appareil pour épandre des produits chimiques, de l'engrais ou toute autre substance pouvant contenir des matières toxiques.
- Ne déposez pas l'appareil pendant qu'il est en marche. Les débris peuvent être captés par l'entrée d'air et être rejetés par l'ouverture de décharge, entraînant des dégâts matériels ou causant de graves blessures aux personnes présentes ou à l'opérateur.
- Pendant le fonctionnement, ne pointez jamais l'appareil vers des personnes, des animaux, des fenêtres ou des automobiles. Dirigez toujours les débris soufflés à l'écart des gens, des animaux, des fenêtres ou des automobiles.
- Redoublez de prudence lors du nettoyage des débris se trouvant à proximité d'objets solides, tels des arbres, des murs, des clôtures, etc. Lorsque cela est possible, soufflez dans la direction opposée à ces objets, et non vers eux.
- Faites attention lorsque vous travaillez à proximité de précieuses plantes. La force de l'air soufflé peut endommager les plantes délicates.
- Ne tentez jamais de dégager une ouverture d'admission d'air obstruée pendant que l'appareil est en marche.
- Gardez les cheveux, les doigts et toutes les autres parties du corps à l'écart des pièces en mouvement et des ouvertures.

AUTRES AVERTISSEMENTS DE SÉCURITÉ

- Entretenez soigneusement l'appareil.
- Toutes les réparations, autres que les procédures de maintenance décrites dans ce manuel, doivent être effectuées par un centre de réparations agréé.
- Ne retirez, modifiez ou rendez jamais inopérant tout dispositif de sécurité fourni avec l'appareil.
- Avant une inspection, un entretien, un nettoyage, un entreposage, un transport ou le remplacement d'une pièce de l'appareil :
 1. Arrêtez l'appareil.
 2. Assurez-vous que toutes les pièces mobiles se sont arrêtées.
 3. Laissez l'appareil refroidir.
 4. Débranchez le fil de la bougie.
- Assurez-vous que l'appareil est sécurisé pour les transports.
- Quand le réservoir contient du carburant, ne rangez jamais l'appareil à l'intérieur d'un bâtiment où des vapeurs d'essence pourraient atteindre une flamme nue (veilleuses, etc.) ou des étincelles (interrupteurs, moteurs électriques, etc.).
- Rangez l'appareil dans un endroit sec et sûr ou en hauteur pour éviter une utilisation non autorisée ou des dommages. Gardez toujours l'appareil hors de portée des enfants.
- Ne mouillez pas ou n'éclaboussez pas l'appareil avec de l'eau ou tout autre liquide. Gardez les poignées sèches et propres (sans débris, huile et graisse). Nettoyez l'appareil après chaque utilisation. Consultez la section *Nettoyage et entreposage*. N'utilisez pas de solvants ou de puissants détergents.
- Conservez ces instructions. Consultez-les souvent et utilisez-les pour former d'autres utilisateurs. Si vous prêtez cet appareil à d'autres personnes, remettez-leur également ces instructions.

CONSERVEZ CES INSTRUCTIONS

• SYMBOLES DE SÉCURITÉ ET INTERNATIONAUX •

Le présent manuel de l'opérateur décrit les symboles et pictogrammes de sécurité et internationaux, susceptibles d'apparaître sur ce produit. Veuillez lire le manuel de l'opérateur pour connaître les informations complètes sur la sécurité, l'assemblage, l'utilisation, l'entretien et la réparation.

SYMBOLE SIGNIFICATION

	<p>• SYMBOLE D'ALERTE DE SÉCURITÉ</p> <p>Indique un danger, un avertissement ou une mise en garde. Peut être utilisé conjointement avec d'autres symboles ou pictogrammes.</p>
	<p>• LISEZ LE MANUEL DE L'OPÉRATEUR</p> <p>AVERTISSEMENT : veuillez lire le(s) manuel(s) de l'opérateur et respecter tous les avertissements et consignes de sécurité. Dans le cas contraire, l'opérateur et/ou les passants peuvent subir des blessures graves.</p>
	<p>• PORTEZ DES PROTECTIONS AUDITIVES ET OCULAIRES</p> <p>AVERTISSEMENT : la projection d'objets et les bruits forts peuvent provoquer des blessures oculaires graves et une perte auditive. Portez une protection oculaire conforme aux normes ANSI / ISEA Z87.1 en vigueur, ainsi qu'une protection auditive pendant l'utilisation de cet appareil. Utilisez un écran facial complet dès que nécessaire.</p>
	<p>• ESSENCE SANS PLOMB</p> <p>Utilisez toujours de l'essence sans plomb, propre et neuve.</p>
	<p>• HUILE</p> <p>Consultez le manuel de l'opérateur pour connaître le type d'huile à utiliser.</p>
	<p>• N'UTILISEZ PAS UN CARBURANT E85 DANS CET APPAREIL</p> <p>AVERTISSEMENT : il a été prouvé qu'un carburant contenant plus de 10 % d'éthanol est susceptible d'endommager ce moteur et d'annuler la garantie.</p>

SYMBOLE SIGNIFICATION

	<p>• COMMANDE DE MARCHE/ARRÊT</p> <p>ALLUMAGE / DÉMARRAGE / MARCHÉ</p>
	<p>• COMMANDE DE MARCHE/ARRÊT</p> <p>ARRÊT</p>
	<p>• POIRE D'AMORÇAGE</p> <p>Poussez complètement et lentement la poire d'amorçage à 10 reprises.</p>
	<p>• COMMANDE DE L'ÉTRANGLEUR</p> <ol style="list-style-type: none"> • Position d'étranglement MAXIMUM • Position d'étranglement PARTIELLE • Position d'étranglement MARCHÉ
	<p>• LES OBJETS PROJÉTÉS PEUVENT CAUSER DES BLESSURES GRAVES</p> <p>AVERTISSEMENT : les petits objets peuvent être propulsés à des vitesses élevées, provoquant des blessures.</p>
	<p>• ÉLOIGNEZ LES PASSANTS</p> <p>AVERTISSEMENT : éloignez tous les passants, en particulier les enfants et les animaux domestiques, à 15 m (50 pieds) au moins de la zone de coupe.</p>
	<p>• SURFACE CHAUDE</p> <p>AVERTISSEMENT : ne touchez pas un pot d'échappement ou un cylindre chaud. Vous pourriez vous brûler. Ces éléments chauffent énormément lorsque l'appareil est en marche. Ils restent chauds pendant un court instant après l'arrêt.</p>
	<p>• SOUFFLEUSES – LES PALES EN ROTATION PEUVENT CAUSER DES BLESSURES GRAVES</p> <p>AVERTISSEMENT : Arrêtez l'appareil et laissez la pale s'arrêter avant de changer de tubes, de nettoyer ou d'effectuer un entretien quelconque. Gardez les mains et les pieds éloignés des pièces mobiles.</p>

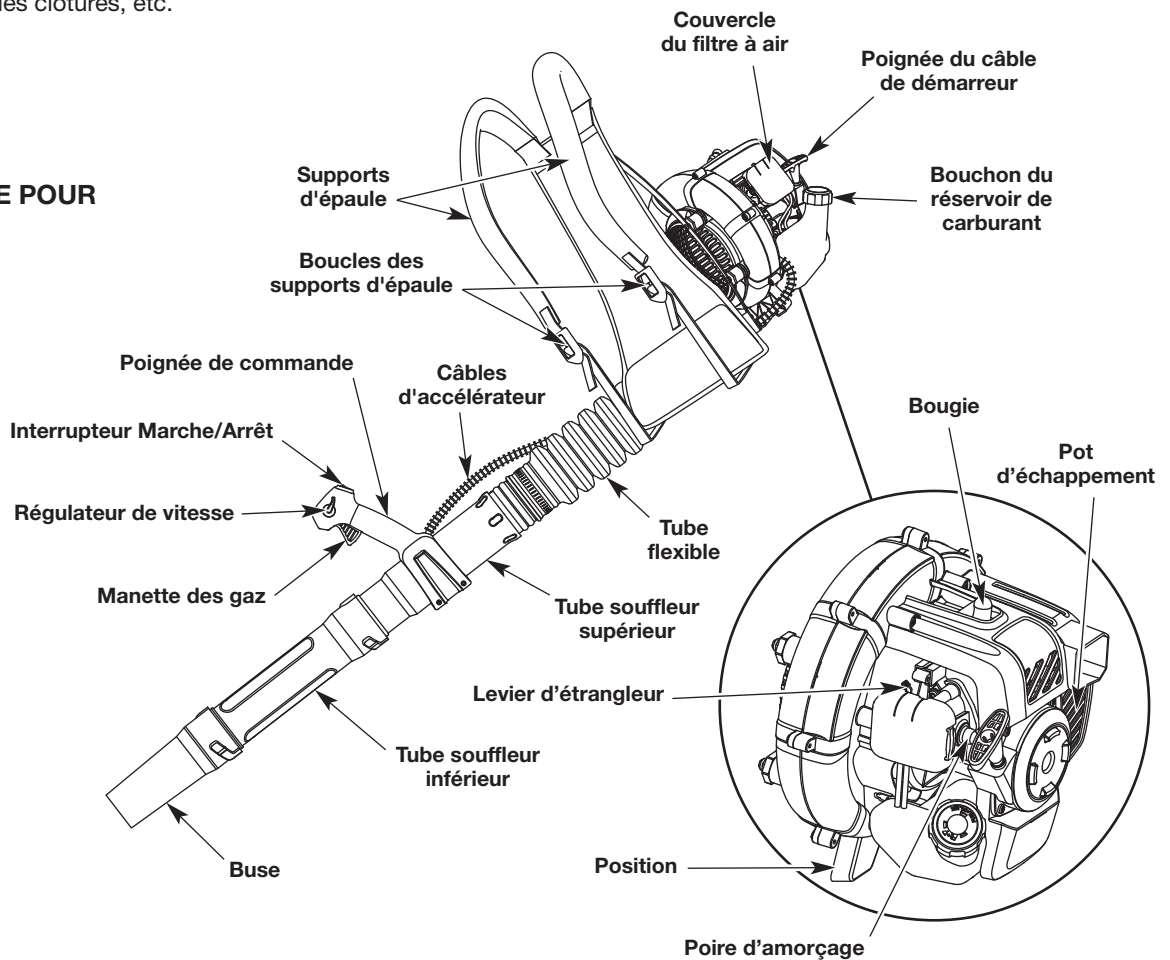
APPRENEZ À CONNAÎTRE VOTRE APPAREIL

APPLICATIONS

- Nettoyer les cours, les garages, les entrées, les porches, les terrasses, autour des murs, des clôtures, etc.

AUCUN OUTIL NÉCESSAIRE POUR L'ASSEMBLAGE :

- Tournevis à tête plate
- Tournevis Torx® T-20



CARACTÉRISTIQUES*

Type de moteur	Refroidi par air, 2 temps
Cylindrée	27 cc (1,64 po. cube)
Écartement des électrodes	0,635 mm (0,025 po.)
Bougie	Champion® RDJ7J ou équivalent
Lubrification	Mélange carburant/huile
Rapport carburant/huile	40:1
Capacité du réservoir de carburant	591 ml (20 oz.)
Poids approximatif de l'appareil (sans carburant)	7,7 - 8,2 kg (17 - 18 livres)
Volume d'air** (mesures prises : à la sortie et aux tube inférieur et buse)	12 / 12 / 7 m ³ /min (445 / 425 / 275 pi ³ /min)
Vitesse de l'air** (de pointe) (mesures prises : à la sortie et aux tube inférieur et buse)	201 / 185 / 241 km/h (125 / 115 / 150 m/h)
Vitesse de l'air** (moyenne) (mesures prises : à la sortie et aux tube inférieur et buse)	161 / 145 / 233 km/h (100 / 90 / 145 m/h)

* Toutes les caractéristiques reposent sur les dernières informations disponibles sur le produit au moment de l'impression de ce manuel. Nous nous réservons le droit d'apporter à tout instant des modifications, sans préavis.

** Conformément à la norme ANSI B175.2.

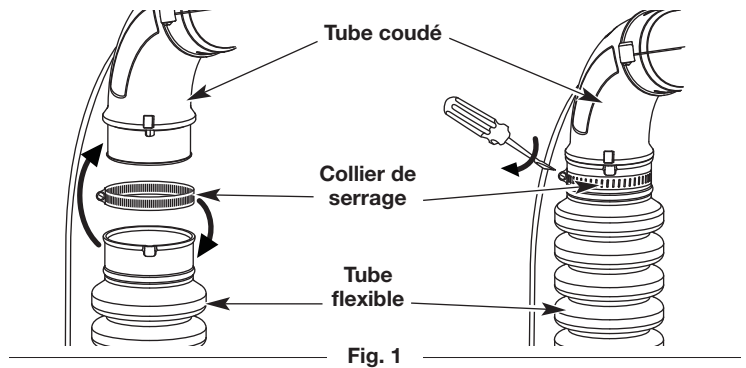
ASSEMBLAGE DU TUBE DE LA SOUFFLEUSE



AVERTISSEMENT : Pour éviter des blessures graves et des dommages à l'appareil, éteignez l'appareil avant de retirer ou d'installer des tubes ou des buses sur la souffeuse.

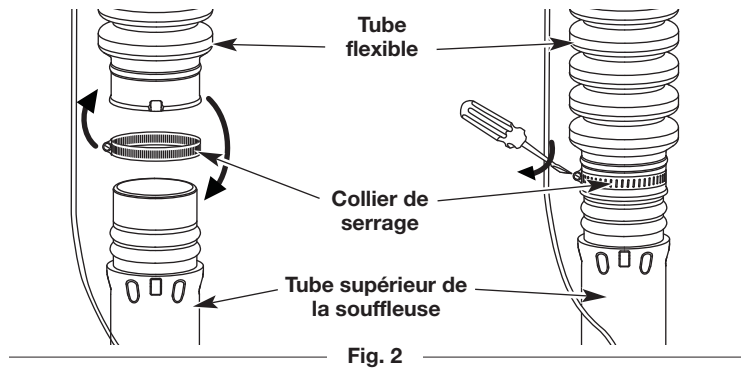
Installation du tube flexible

1. Placez un collier de serrage autour d'une extrémité du tube flexible (Fig. 1).
2. Faites glisser le tube flexible et le collier de serrage sur le tube coudé (Fig. 1).
3. Serrez la vis sur le collier de serrage au moyen d'un tournevis à tête plate (Fig. 1).



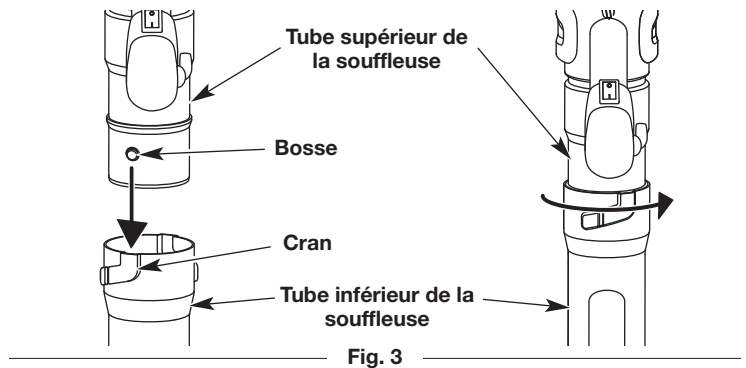
Installation du tube supérieur de la souffeuse

1. Placez un collier de serrage autour de l'autre extrémité du tube flexible (Fig. 2).
2. Faites glisser le tube flexible et le collier de serrage sur l'extrémité supérieure du tube supérieur de la souffeuse (Fig. 2).
3. Serrez la vis sur le collier de serrage au moyen d'un tournevis à tête plate (Fig. 2).



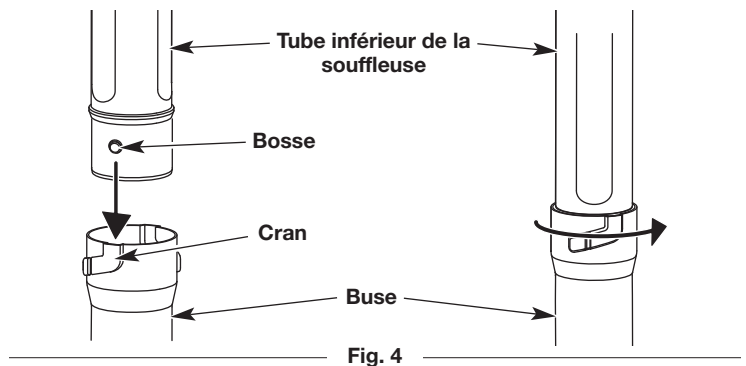
Installation du tube inférieur de la souffeuse

1. Alignez la bosse du tube supérieur avec le cran du tube inférieur de la souffeuse (Fig. 3).
2. Insérez le tube supérieur dans le tube inférieur de la souffeuse (Fig. 3).
3. Tout en maintenant le tube supérieur de la souffeuse, tournez le tube inférieur dans le sens horaire jusqu'à ce qu'il se verrouille en place (Fig. 3).



Installation de la buse

1. Alignez la bosse du tube inférieur de la souffeuse avec le cran de la buse (Fig. 4).
2. Insérez le tube inférieur de la souffeuse dans la buse (Fig. 4).
3. Tout en maintenant le tube inférieur de la souffeuse, tournez la buse dans le sens horaire jusqu'à ce qu'elle se verrouille en place (Fig. 4).



Fixation des câbles de l'accélérateur

1. Enroulez une attache pour câble autour du tube coudé et des câbles de l'accélérateur (Fig. 5).
2. Serrez soigneusement l'attache de câble. Ne tordez pas les câbles de l'accélérateur.

Réglage de la poignée de commande

1. Déplacez la poignée de commande à l'endroit sur le tube supérieur de la souffleuse qui fournit la meilleure adhérence (Fig. 6).
2. Au moyen d'un tournevis Torx T-20®, serrez les deux vis de la poignée de commande jusqu'à ce que la poignée de commande soit bien sécurisée (Fig. 6).

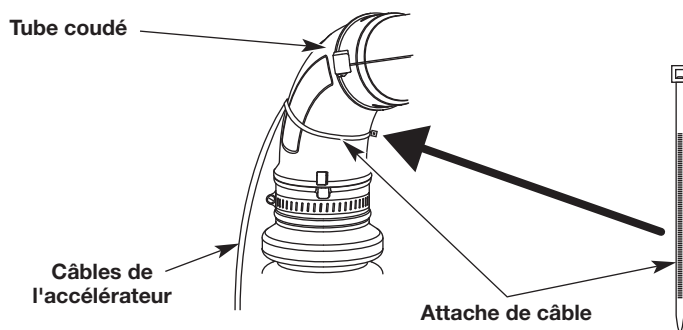


Fig. 5

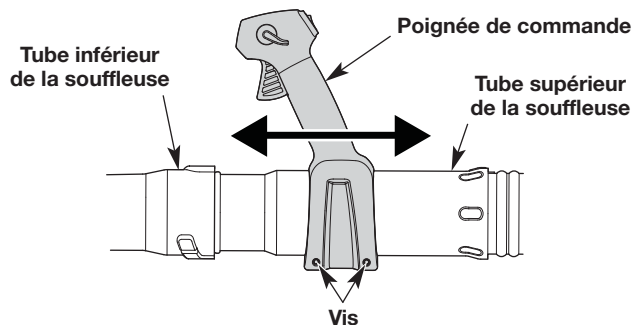


Fig. 6

HUILE ET CARBURANT

INSTRUCTIONS DE MÉLANGE D'HUILE ET DE CARBURANT

L'utilisation d'un carburant vieux et/ou mal mélangé est la cause la plus courante des problèmes de performance. Utilisez uniquement une essence sans plomb neuve et propre. Respectez ces instructions à la lettre pour mélanger correctement l'essence et l'huile.

Définition des carburants mélangés

Les carburants d'aujourd'hui sont souvent un mélange d'essence et de produits oxygénés, comme l'éthanol, le méthanol ou l'éther méthyl-tertiobutylique. Un carburant mélangé à l'alcool absorbe l'eau. Il suffit de 1 % d'eau pour séparer le carburant et l'huile, ce qui formera des acides pendant l'entreposage. Utilisez TOUJOURS un carburant neuf (moins de 30 jours).

REMARQUE : jetez le vieux carburant en respectant les réglementations fédérales, étatiques et locales.

Utilisation des carburants mélangés

Si vous utilisez un carburant mélangé :

- Utilisez toujours un mélange de carburant frais, comme expliqué dans votre manuel de l'opérateur.
- Utilisez l'additif pour carburant STA-BIL® ou un produit équivalent
- Agitez toujours le mélange de carburant avant de remplir l'appareil
- Videz le réservoir et faites fonctionner le moteur jusqu'à épuisement du carburant avant de ranger l'appareil



AVERTISSEMENT : N'UTILISEZ PAS UN CARBURANT E85 DANS CET APPAREIL. Il a été prouvé qu'un carburant contenant plus de 10 % d'éthanol est susceptible d'endommager ce moteur et d'annuler la garantie.

Utilisation d'additifs pour carburant

Le bidon d'huile pour moteur à 2 temps, qui est livré avec cet appareil, contient un additif permettant d'empêcher la corrosion et de minimiser la formation de résidus de gomme. Utilisez toujours la marque d'huile pour moteur à 2 temps fournie avec cet appareil. En cas d'indisponibilité, utilisez une huile conçue pour les moteurs à 2 temps refroidis par air, en la mélangeant avec un additif pour carburant, comme le stabilisateur de carburant STA-BIL ou un produit équivalent. Ajoutez 23 ml (2 oz.) d'additif pour 3,8 litres (1 gallon) de carburant selon les instructions du récipient. N'ajoutez JAMAIS des additifs directement dans le réservoir de l'appareil.



Mélange du carburant

REMARQUE : cet appareil est livré avec un bidon d'huile pour moteur à 2 temps de 95 ml (3,2 oz.). Pour obtenir le mélange de carburant correct décrit ci-dessous, versez la totalité du bidon dans 3,8 litres (1 gallon) d'essence sans plomb.



ATTENTION : pour que le moteur fonctionne correctement en toute fiabilité, suivez scrupuleusement les instructions de mélange de l'essence et de l'huile indiquées sur le bidon d'huile pour moteur à 2 temps. L'utilisation d'un carburant mal mélangé peut gravement endommager le moteur.

Mélangez soigneusement l'essence sans plomb et l'huile pour moteur à 2 temps en respectant à la lettre les proportions. Ne les mélangez pas directement dans le réservoir de l'appareil. Utilisez un bidon séparé. Utilisez un rapport d'essence/huile de 40:1. Consultez le tableau ci-dessous pour connaître les rapports de mélange exacts de l'essence et de l'huile.

	
Essence sans plomb	Huile 2-temps
3,8 litres (1 gallon américain)	95 ml (3,2 oz.)
1 litre	25 ml

RAPPORT DE MÉLANGE - 40:1

REPLISSAGE DU RÉSERVOIR



AVERTISSEMENT : l'essence est extrêmement inflammable. Des vapeurs enflammées peuvent exploser. Arrêtez toujours le moteur et laissez-le refroidir avant de remplir le réservoir d'essence. Ne fumez pas pendant le remplissage du réservoir. Maintenez toute flamme nue et étincelle loin de la zone.



AVERTISSEMENT : dévissez lentement le bouchon du réservoir pour éviter toute blessure due à un jet de carburant. N'utilisez jamais l'appareil quand le bouchon du réservoir de carburant n'est pas correctement vissé.



AVERTISSEMENT : ajoutez l'essence dans une zone extérieure propre et bien aérée. Essayez immédiatement tout carburant déversé. Évitez de créer une source d'inflammation en présence d'un déversement de carburant. Ne démarrez pas le moteur avant que les vapeurs d'essence ne se soient dissipées.

1. Placez l'appareil afin que le bouchon du réservoir soit tourné vers le haut.
2. Dévissez le bouchon du réservoir.
3. Placez le bec verseur du bidon de carburant dans l'orifice de remplissage du réservoir de l'appareil et remplissez ce dernier.

REMARQUE : ne remplissez pas le réservoir de manière excessive.

4. Essuyez la totalité du carburant échappé du réservoir.
5. Revissez le bouchon du réservoir.
6. Éloignez l'appareil à 9,1 mètres (30 pieds) au moins du bidon de carburant et du site de ravitaillement avant de démarrer le moteur.

MISE EN MARCHÉ ET ARRÊT



AVERTISSEMENT : utilisez cet appareil uniquement dans une zone extérieure bien aérée. Des émanations de monoxyde de carbone dans un endroit confiné peuvent être mortelles.



AVERTISSEMENT : évitez tout démarrage accidentel de l'appareil. Pour éviter toute blessure grave, l'opérateur et l'appareil doivent être tous deux en position stable quand l'opérateur tire sur le câble de démarreur (Fig. 9).



AVERTISSEMENT : Lors du démarrage de l'appareil, assurez-vous qu'il n'est pas dirigé vers les gens, les animaux, les fenêtres, les voitures ou les débris.

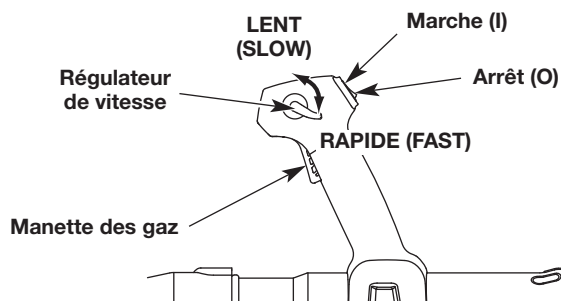


Fig. 7

INSTRUCTIONS DE DÉMARRAGE

1. Mélangez l'essence et l'huile. Consultez les *instructions de mélange de l'huile et de l'essence*.
2. Remplissez le réservoir d'essence. Consultez la section *Remplissage du réservoir*.

REMARQUE : il n'est pas nécessaire de démarrer l'appareil. L'interrupteur de marche/arrêt est constamment en position de marche (I) (Fig. 7).

3. Appuyez lentement et relâchez la poire d'amorçage à **10 reprises** (Fig. 8). Si aucune quantité de carburant n'apparaît dans la poire d'amorçage, appuyez et relâchez la poire jusqu'à l'apparition de carburant.
4. Déplacez le levier d'étrangleur en **Position 1** (Fig. 8).
5. Déplacez le régulateur de vitesse en position FAST (RAPIDE) (Fig. 7).

REMARQUE : Gardez le régulateur de vitesse en position FAST (RAPIDE) pour **TOUTES** les étapes supplémentaires.

6. Accroupissez-vous en position de démarrage (Fig. 9).
7. Tirez sur la corde de démarrage en effectuant un mouvement contrôlé et ferme à **5 reprises** (Fig. 9).
8. Déplacez le levier d'étrangleur en **Position 2** (Fig. 8).
9. Tirez sur le câble de démarrage en un mouvement contrôlé et ferme à **3 ou 5 reprises** pour démarrer le moteur.
10. Laissez le moteur chauffer pendant 30 à 60 secondes.
11. Déplacez le levier d'étrangleur à la **Position 3** (Fig. 8) et laissez le moteur chauffer pendant 60 secondes supplémentaires. L'appareil peut être utilisé pendant ce laps de temps.

REMARQUE : le moteur a correctement chauffé quand il accélère sans hésitation.

REMARQUE : Une fois le moteur bien réchauffé, le régulateur de vitesse peut être ajusté et la manette des gaz peut être utilisée normalement.

- SI...** le moteur hésite, remplacez le levier d'étrangleur en **Position 2** (Fig. 8) et laissez-le chauffer.
- SI...** le moteur ne démarre pas, reprenez la procédure de démarrage à l'étape 3.
- SI...** le moteur ne démarre pas après quelques tentatives, déplacez le levier d'étrangleur en **Position 3** et déplacez le régulateur de vitesse en position FAST (RAPIDE). Tirez sur le câble de démarrage en un mouvement contrôlé et ferme à **3 ou 8 reprises**. Le moteur devrait démarrer. Dans le cas contraire, recommencez la procédure.
- SI...** le moteur est déjà chaud, commencez la procédure de démarrage à l'étape 8.

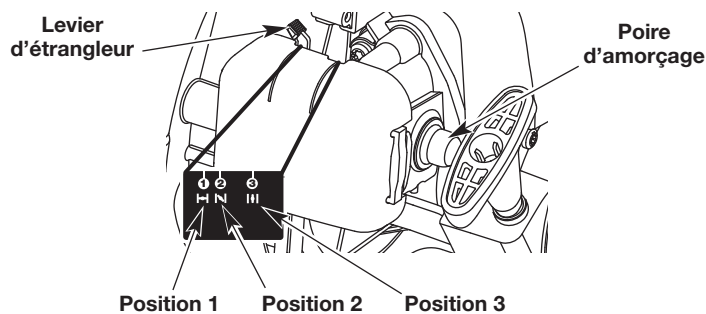


Fig. 8

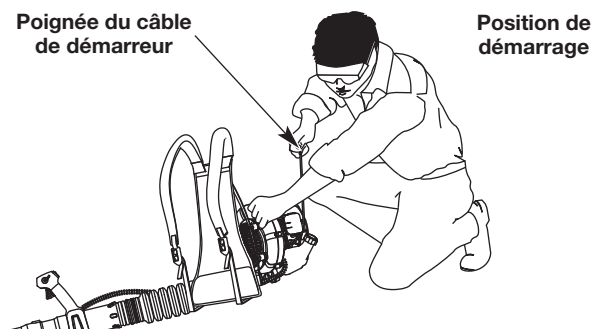


Fig. 9

INSTRUCTIONS D'ARRÊT

1. Relâchez la manette des gaz ou déplacez le régulateur de vitesse en position SLOW (LENT), et laissez le moteur tourner au ralenti.
2. Appuyez sur l'interrupteur de marche/arrêt et maintenez-le enfoncé en position d'arrêt (O) jusqu'à ce que le moteur s'arrête complètement (Fig. 7).

UTILISATION



AVERTISSEMENT : Pour éviter de graves blessures, n'utilisez jamais l'appareil sans que les tubes de la souffleuse ne soient solidement installés.



AVERTISSEMENT : portez toujours une protection pour les yeux, les oreilles, les mains, les pieds et le corps afin de limiter les risques de blessure pendant l'utilisation de cet appareil. Portez un masque facial ou antipoussière si le travail est poussiéreux.

METTRE ET ENLEVER L'APPAREIL

Mettre l'unité

1. Placez les supports d'épaule par-dessus les deux épaules. Le moteur doit reposer en toute sécurité sur le dos de l'opérateur.
2. Tirez vers le bas sur les sangles du support d'épaule pour serrer les supports d'épaule (Fig. 10).

REMARQUE : Démarrez l'appareil avant de l'enfiler. Reportez-vous à *Démarrage et arrêt*.

Enlever l'unité

1. Tirez les languettes de la partie inférieure des boucles de support d'épaule vers le haut afin de desserrer les supports d'épaule (Fig. 11).
2. Enlevez l'unité.

TENUE DE L'APPAREIL

- Placez-vous en position d'utilisation (Fig. 12). Tenez-vous bien droit. Ne vous penchez pas.
- Gardez les pieds écartés et fermement posés sur le sol.
- Maintenez la poignée de l'accélérateur avec la main droite. Le bras droit doit rester légèrement plié.
- Assurez-vous que l'appareil est sûr et confortable sur le dos de l'opérateur.

CONSEILS POUR OBTENIR LES MEILLEURS RÉSULTATS

- Économisez l'eau en utilisant la souffleuse plutôt qu'un boyau pour effectuer de nombreuses tâches de nettoyage en plein air.
- Utilisez l'appareil uniquement à des heures raisonnables, c'est-à-dire pas trop tôt le matin ni tard le soir quand les gens pourraient être dérangés. Respectez les horaires des règlements locaux. Les recommandations habituelles sont de 9 h à 17 h, du lundi au samedi.
- Afin de réduire les niveaux de bruit, faites fonctionner l'appareil à la vitesse minimale nécessaire pour effectuer la tâche. Limitez le nombre de pièces de matériel d'alimentation utilisées en même temps.
- Utilisez des râteliers ou des balais pour dégager les débris avant l'opération.
- Dans des endroits poussiéreux, humidifiez légèrement les surfaces.
- Utilisez le régulateur de vitesse pour faciliter le fonctionnement continu (Fig. 7).
- Faites attention aux enfants, aux animaux, aux fenêtres ouvertes et aux voitures fraîchement lavées. Soufflez les débris à une distance sécuritaire. Ne dirigez jamais l'appareil vers quiconque quand l'appareil est en marche.
- Balayez l'unité d'un côté à l'autre avec le tube du souffleur se trouvant à plusieurs centimètres au-dessus du sol. Avancez lentement, en gardant les débris accumulés à l'avant de l'opérateur.
- Utilisez la buse pour concentrer le flux d'air près du sol.
- Nettoyez après l'opération. Jetez les résidus de manière appropriée.

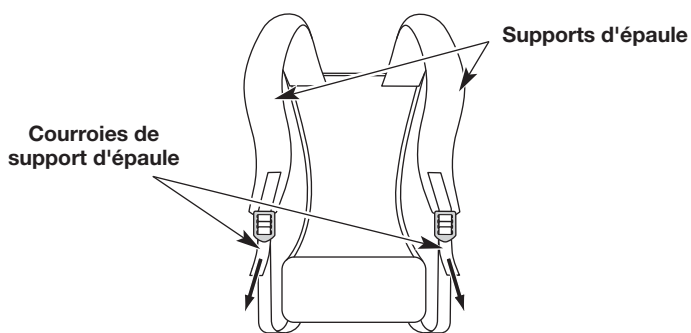


Fig. 10

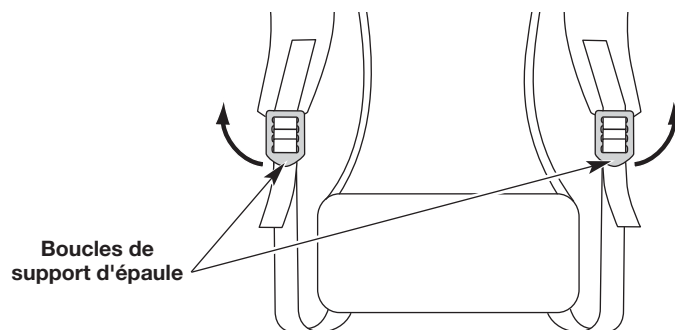


Fig. 11



Fig. 12



AVERTISSEMENT : pour éviter des blessures graves, n'effectuez jamais des travaux d'entretien ou des réparations quand l'appareil est en marche. Laissez toujours l'appareil refroidir avant un entretien ou une réparation. Débranchez le fil de la bougie pour éviter un démarrage accidentel de l'appareil.

PROGRAMME D'ENTRETIEN

Effectuez ces procédures d'entretien obligatoires aux intervalles indiqués dans le tableau. Ces procédures doivent également faire partie d'une mise au point saisonnière.

REMARQUE : certaines procédures d'entretien peuvent nécessiter des compétences ou des outils particuliers. Si vous avez des doutes concernant ces procédures, amenez l'appareil chez un revendeur agréé de MTD.

REMARQUE : l'entretien, le remplacement ou la réparation du système et des dispositifs de contrôle des émissions peuvent être réalisés par un revendeur agréé de MTD.

REMARQUE : veuillez lire la déclaration de l'État de Californie / EPA (agence de protection de l'environnement) qui est livrée avec l'appareil pour obtenir une liste complète des conditions et de la couverture des dispositifs antipollution, tels que le pare-étincelles, le pot d'échappement, le carburateur, etc.

INTERVALLE	D'ENTRETIEN OBLIGATOIRE
Toutes les 10 heures	<ul style="list-style-type: none"> Nettoyez et graissez le filtre à air. Consultez la section <i>Entretien du filtre à air</i>.
Toutes les 25 heures	<ul style="list-style-type: none"> Vérifiez l'état de la bougie et l'écartement des électrodes. Consultez la section <i>Entretien de la bougie</i>.

ENTRETIEN DU FILTRE À AIR



AVERTISSEMENT : pour éviter toute blessure grave, arrêtez toujours le moteur et laissez-le refroidir avant de nettoyer ou de procéder à un entretien de l'appareil.

Le non-entretien du filtre à air peut entraîner une mauvaise performance ou des dommages permanents du moteur. Une panne de moteur découlant d'un mauvais entretien du filtre à air n'est pas couverte par la garantie du produit.

Nettoyage du filtre à air

- Ouvrez le couvercle du filtre à air : appuyez sur la languette de verrouillage et tournez le couvercle du filtre à air vers la gauche (Fig. 13).
- Retirez le filtre à air (Fig. 13).
- Nettoyez le filtre à air avec de l'eau et du détergent. Rincez le filtre soigneusement et laissez-le sécher.
- Appliquez une légère couche d'huile SAE 30 propre sur le filtre à air.
- Pressez le filtre à air pour répartir et éliminer l'excès d'huile.
- Réinstallez le filtre à air (Fig. 13).

REMARQUE : toute utilisation de l'appareil en l'absence du filtre à air et de son couvercle ANNULERA la garantie.

- Fermez le couvercle du filtre à air : insérer les languettes du couvercle du filtre à air dans les fentes de la plaque arrière. Fermez le couvercle du filtre à air de droite et appuyez jusqu'à ce que la languette de verrouillage s'enclenche (Fig. 13).

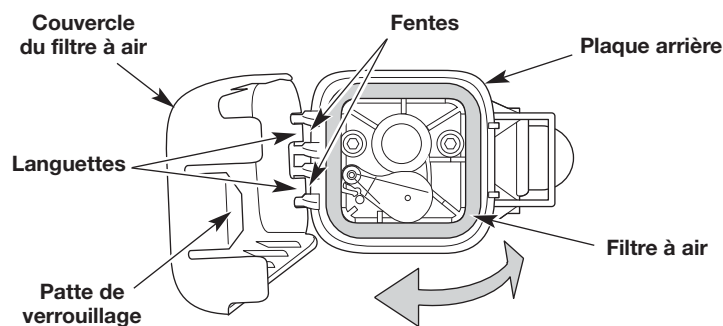


Fig. 13

RÉGLAGE DU RALENTI



AVERTISSEMENT : portez des vêtements de protection et respectez toutes les consignes de sécurité pour éviter toute blessure grave.

REMARQUE : un réglage négligé peut gravement endommager l'appareil. Un centre de réparations agréé doit effectuer les réglages de carburateur.

Si le moteur ne se met toujours pas au ralenti après une vérification du carburant et un nettoyage du filtre à air, réglez la vis du ralenti comme suit :

1. Démarrez le moteur. Consultez les sections *Mise en marche et Arrêt*.
2. Déplacez le régulateur de vitesse en position LENTE et laissez le moteur tourner au ralenti.
 - Si le moteur s'arrête, insérez un petit tournevis à pointe cruciforme pour tourner la vis du ralenti dans le sens horaire, de 1/8 de tour à la fois (comme nécessaire) jusqu'à ce que le moteur tourne au ralenti (Fig. 14).
 - Si le moteur tourne trop rapidement au ralenti, tournez la vis de ralenti dans le sens antihoraire, d'un 1/8 de tour à la fois (si nécessaire) pour réduire la vitesse de ralenti (Fig. 14).

La vérification du carburant, le nettoyage du filtre à air et le réglage du ralenti devraient résoudre la plupart des problèmes de moteur. Sinon, et si l'une des conditions suivantes est remplie, apportez l'appareil dans un atelier de réparation autorisé :

- le moteur ne se met pas au ralenti
- le moteur hésite ou cale lors d'une accélération
- le moteur perd de sa puissance

ENTRETIEN DE LA BOUGIE

1. Arrêtez le moteur et laissez-le refroidir. Saisissez fermement le chapeau de la bougie et retirez-le de la bougie.
2. Nettoyez tout autour de la bougie. Retirez la bougie de la culasse avec une douille de 16 mm (5/8 po.), en tournant dans le sens horaire inverse.



AVERTISSEMENT : ne sablez pas, ne grattez pas ou ne nettoyez pas les électrodes de la bougie. La présence de grenailles dans le moteur pourrait endommager le cylindre.

3. Inspectez la bougie. Si la bougie est fissurée ou encrassée, remplacez-la par une pièce de rechange n°753-06193, une bougie **Champion RDJ7J** ou équivalent.
4. Utilisez une jauge d'épaisseur pour régler l'écartement à **0,635 mm (0,025 po.)** (Fig. 15).
5. Installez la bougie dans la culasse. Serrez la bougie avec une douille de 16 mm (5/8 po.) en tournant dans le sens horaire jusqu'à ce qu'elle soit juste serrée.

REMARQUE : si vous utilisez une clé dynamométrique, serrez à : **12,3-13,5 N•m (110-120 po. • livre)**. Ne serrez pas de manière excessive.

6. Refixez le chapeau de la bougie.

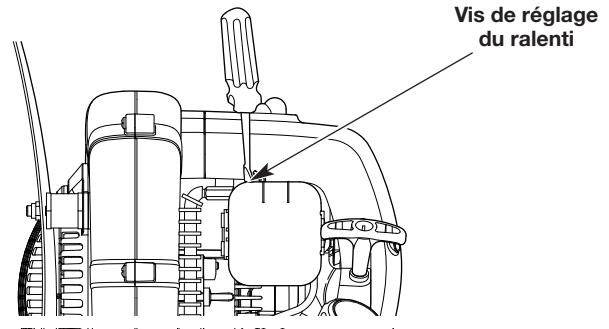


Fig. 14

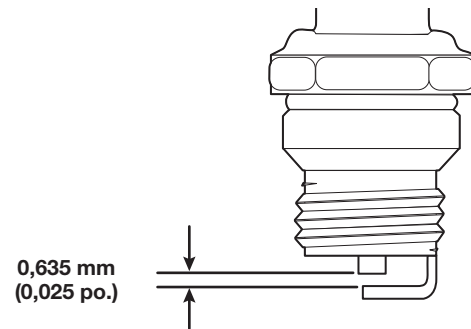


Fig. 15

NETTOYAGE



AVERTISSEMENT : pour éviter toute blessure grave, arrêtez toujours le moteur et laissez-le refroidir avant de nettoyer ou de procéder à un entretien de l'appareil.

Utilisez une petite brosse pour nettoyer la partie externe de l'appareil. N'utilisez pas un détergent fort. Les produits ménagers contenant des huiles aromatiques, comme le pin et le citron, et les solvants comme le kérosène peuvent endommager le plastique. Essuyez toute trace d'humidité avec un chiffon doux.

ENTREPOSAGE

- Ne rangez jamais l'appareil quand le réservoir contient encore de l'essence dont les vapeurs pourraient entrer en contact avec une flamme nue ou une étincelle.
- Laissez le moteur refroidir avant de ranger l'appareil.
- Rangez l'unité dans un endroit fermé à clé pour éviter toute utilisation non autorisée ou tout dommage.
- Rangez l'unité dans un endroit sec et bien aéré.
- Rangez l'appareil hors de portée des enfants.

Entreposage de longue durée

1. Retirez le bouchon du réservoir d'essence, basculez l'appareil et vidangez le carburant dans un bidon approprié. Revissez le bouchon du réservoir.
2. Démarrez le moteur et laissez-le tourner jusqu'à ce qu'il cale. Ainsi, le carburateur sera totalement vidé de tout carburant.
3. Laissez le moteur refroidir. Retirez la bougie et versez dans le cylindre 5 gouttes d'une huile de moteur de haute qualité ou d'une huile pour moteur à 2 temps. Tirez lentement sur le câble de démarreur pour répartir l'huile. Réinstallez la bougie.
4. Nettoyez soigneusement l'appareil et vérifiez la présence de pièces desserrées ou endommagées. Réparez ou remplacez les éléments endommagés, et serrez les vis, les écrous ou les boulons desserrés.

Préparation de l'appareil après un entreposage de longue durée

1. Retirez la bougie et vidangez la totalité de l'huile présente dans le cylindre.

REMARQUE : n'utilisez pas un carburant qui a été entreposé pendant plus de 30 jours. Jetez le vieux carburant en respectant les réglementations fédérales, étatiques et locales.

DÉPANNAGE

PROBLÈME	SOLUTION
LE MOTEUR NE DÉMARRE PAS	
Le réservoir de carburant est vide	Remplissez le réservoir avec un carburant correctement mélangé
La poire d'amorçage n'a pas été comprimée suffisamment	Appuyez sur la poire à 10 reprises ou jusqu'à l'apparition du carburant
Le moteur est noyé	Déplacez le levier d'étrangleur à la Position 3 ; appuyez sur la manette des gaz et tirez sur le câble de démarreur
Le carburant est vieux (plus de 30 jours) et/ou mal mélangé	Vidangez le réservoir et ajoutez un mélange de carburant correct et neuf
La bougie est encrassée	Remplacez la bougie
LE MOTEUR NE SE MET PAS AU RALENTI	
Le filtre à air est sale	Nettoyez ou remplacez le filtre à air
Le carburant est vieux (plus de 30 jours) et/ou mal mélangé	Vidangez le réservoir et ajoutez un mélange de carburant correct et neuf
Le ralenti est mal réglé	Réglez le ralenti
LE MOTEUR N'ACCÉLÈRE PAS	
Le carburant est vieux (plus de 30 jours) et/ou mal mélangé	Vidangez le réservoir et ajoutez un mélange de carburant correct et neuf
Le filtre à air est sale	Nettoyez ou remplacez le filtre à air
LE MOTEUR MANQUE DE PUISSANCE OU CALE	
Le carburant est vieux (plus de 30 jours) et/ou mal mélangé	Vidangez le réservoir et ajoutez un mélange de carburant correct et neuf
Le filtre à air est sale	Nettoyez ou remplacez le filtre à air
La bougie est encrassée	Remplacez la bougie

Si vous avez besoin d'une aide supplémentaire, veuillez contacter un revendeur agréé.

GARANTIE LIMITÉE DU FABRICANT POUR:

REMINGTON®

La garantie limitée énoncée ci-après est accordée par Remington LLC et concerne les marchandises neuves achetées et utilisées aux États-Unis, ses possessions et territoires.

Remington LLC garantit ce produit contre tout vice de matière ou de façon pendant une période de deux (2) ans à compter de la date d'achat initiale et elle se réserve le choix de réparer ou de remplacer, à titre gratuit, toute pièce présentant un vice de matière ou de façon. Cette garantie limitée ne s'appliquera que dans la mesure où le produit aura été utilisé et entretenu conformément au Manuel de l'utilisateur fourni avec le produit et n'aura pas fait l'objet d'un usage inadéquat, abusif, commercial ou négligent, d'un accident, d'un entretien inadéquat, d'une modification, de vandalisme, d'un vol, d'un incendie, de dégâts d'eau ou d'un endommagement résultant d'un autre péril ou d'un désastre naturel. Les dommages résultants de l'installation ou de l'utilisation de tout accessoire ou équipement non approuvé par Remington pour une utilisation avec le(s) produit(s) couvert(s) par le présent manuel annuleront la garantie en ce qui concerne les dommages qui en résulteraient éventuellement. La présente garantie est limitée à quatre-vingt-dix (90) jours à compter de la date d'achat au détail initiale pour tout produit Remington utilisé à des fins locatives ou commerciales, ou toute utilisation produisant des revenus.

POUR L'OBTENTION DU SERVICE DE GARANTIE : le service au titre de la garantie est disponible, SUR PRÉSENTATION D'UNE PREUVE D'ACHAT, AUPRÈS DU DISTRIBUTEUR AGRÉÉ LOCAL. Pour trouver un distributeur dans votre région, visitez notre site Web www.remingtonpowertools.com, consultez les Pages Jaunes, appelez le **1-866-206-2707** aux États-Unis ou le **1-877-696-5533** au Canada, ou écrivez à l'adresse Remington LLC, PO Box 361032, Cleveland, OH 44136. Aucun produit retourné à l'usine sans permission écrite préalable du service après-vente de Remington ne sera accepté.

La garantie limitée n'offre aucune couverture dans les cas suivants :

- A. Mises au point : bougies, réglages de carburateur, filtres
- B. Éléments d'usure : boutons de butée, bobines extérieures, fil de coupe, moulinets, poulie du démarreur, câbles de démarreur, courroies d'entraînement, chaînes de scie, barres de guidage, couteaux de cultivateur, lames.
- C. Remington LLC n'accorde aucune garantie pour les produits vendus ou exportés des États-Unis d'Amérique, de leurs possessions et territoires, exception faite en ce qui concerne les produits vendus par l'intermédiaire de ses canaux agréés de distribution à l'exportation.

Remington LLC se réserve le droit de modifier ou d'améliorer la conception de ses produits sans pour autant assumer l'obligation de modifier tout produit d'une fabrication plus ancienne.

Aucune garantie implicite, y compris toute garantie de valeur marchande ou d'adaptation à une fin particulière, ne s'applique après la période applicable de garantie expresse écrite ci-dessus concernant les pièces qui sont identifiées. Aucune autre garantie ou caution expresse, écrite ou orale, à l'exception de celle mentionnée ci-dessus, accordée par toute personne ou entité, y compris tout distributeur ou détaillant, concernant tout produit n'engagera la responsabilité de Remington LLC. Pendant la période de garantie, le recours exclusif est la réparation ou le remplacement du produit dans les conditions énoncées ci-dessus. (Certains états ne permettent pas la limitation de la garantie implicite, il est donc possible que la limitation ci-dessus ne s'applique pas à vous.)

Les clauses énoncées dans la présente Garantie constituent le recours unique et exclusif inhérent aux ventes. Remington LLC ne sera en aucun cas tenue pour responsable de tout dommage indirect ou consécutif ou de dommages comprenant, entre autres, les dépenses encourues du fait du recours à des services de remplacement ou de substitution pour l'entretien des pelouses, le transport ou des frais connexes, ou les frais entraînés par une location destinée à remplacer provisoirement un produit sous garantie. (Certains états ne permettent pas la limitation de la garantie implicite, il est donc possible que la limitation ci-dessus ne s'applique pas à vous.)

Aucun recouvrement, quel qu'il soit, ne sera d'un montant supérieur au prix du produit vendu. Toute modification des dispositifs de sécurité du produit annulera la présente Garantie. Vous assumez tout risque et toute responsabilité résultant de la perte, de l'endommagement ou du préjudice que vous et votre propriété et/ou d'autres et leur propriété pourront encourir d'un fait de l'utilisation normale, de la mauvaise utilisation ou de l'incapacité d'utiliser le produit.

La présente garantie limitée n'est accordée qu'à l'acheteur initial, au preneur initial ou à la personne à laquelle le produit a été offert.

Le Droit des États vis à vis de la présente garantie : la présente garantie vous confère certains droits juridiques et vous pouvez bénéficier d'autres droits lesquels varient d'un état à l'autre.

Pour obtenir l'adresse du distributeur réparateur le plus proche, composez le : **1-866-206-2707** aux États-Unis ou le **1-877-696-5533** au Canada.

REMINGTON LLC

P.O. Box 361032
Cleveland, OH 44136

REMINGTON®

Manual del Operador

Sopladora Mochila de 2 tiempos

RM2BP

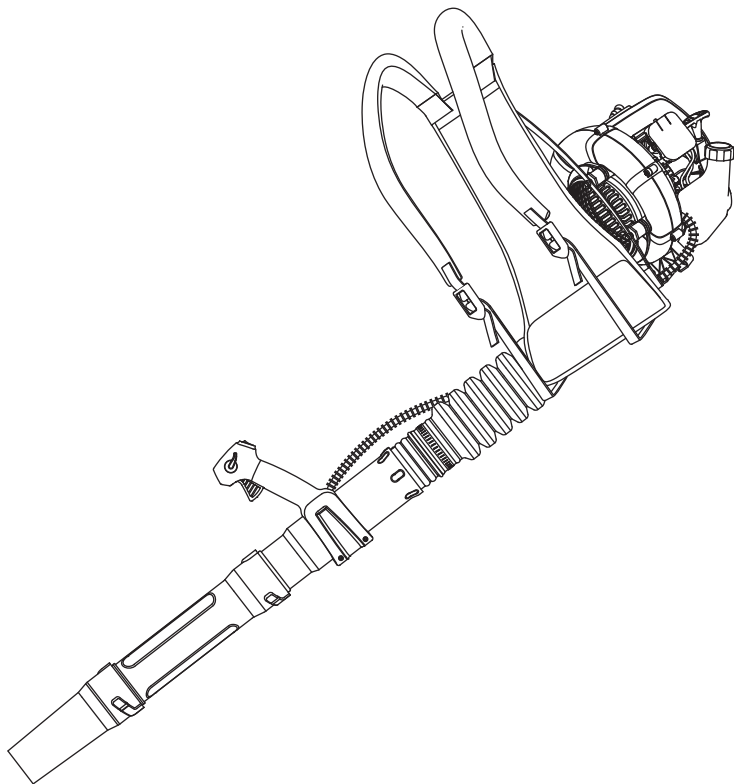


TABLA DE CONTENIDO

Servicio	33
Seguridad	34
Conozca su unidad	38
Especificaciones	38
Ensamblaje	39
Aceite y combustible	41
Arranque y parada	42
Operación	43
Mantenimiento	44
Limpieza y almacenamiento	46
Localización y solución de problemas	47
Garantía	48

CONSERVE ESTAS INSTRUCCIONES

SERVICIO

NO DEVUELVA ESTA UNIDAD AL VENDEDOR. PARA SOLICITAR SERVICIO POR GARANTÍA, DEBERÁ PRESENTAR EL COMPROBANTE DE COMPRA.

Para solicitar asistencia en relación con el ensamblaje, los controles, la operación o el mantenimiento de la unidad, llame al Departamento de Atención al Cliente al **1-866-206-2707** en Estados Unidos o el **1-877-696-5533** en Canadá. Puede encontrar más información sobre la unidad en nuestro sitio Web en **www.remingtonpowertools.com**.

Con vista a recibir servicios, llame al Departamento de Atención al Cliente para que le faciliten una lista de los distribuidores de servicio autorizados cercanos a usted. El servicio a esta unidad, tanto durante como después del período cubierto por la garantía, debe ser llevado a cabo solamente por un distribuidor de servicio autorizado y aprobado. Cuando vaya a dar mantenimiento al equipo, utilice solo piezas de repuesto idénticas.


Toda la información, las ilustraciones y las especificaciones contenidas en este manual se basan en la información más reciente disponible en el momento de impresión del manual. Nos reservamos el derecho de hacer cambios en cualquier momento sin aviso previo. Copyright © 2014 MTD SOUTHWEST INC. Todos los derechos reservados.

IMPORTANTE: Lea este manual por completo antes de utilizar este producto. Siga todas las instrucciones.

SEGURIDAD

El objetivo de los símbolos de seguridad es dirigir su atención hacia posibles peligros. Los símbolos de seguridad, así como sus explicaciones, necesitan su atención y comprensión completas. Las advertencias de seguridad no eliminan por sí mismas ningún peligro. Las instrucciones o advertencias que contienen no reemplazan a las medidas adecuadas de prevención de accidentes.

SÍMBOLOS SIGNIFICADO

 **PELIGRO:** Indica un peligro EXTREMO.
Si no se cumple una advertencia de seguridad de **PELIGRO** usted mismo u otras personas sufrirán lesiones graves o la muerte.


 **ADVERTENCIA:** Indica un peligro GRAVE.
Si no se cumple una **ADVERTENCIA** de seguridad usted mismo u otras personas **PUEDEN** sufrir lesiones graves.

 **PRECAUCIÓN:** Indica un peligro de GRAVEDAD MODERADA.
Si no se cumple una señal de seguridad de **PRECAUCIÓN** usted mismo o a otras personas **PUEDEN** sufrir lesiones o se **PUEDEN** producir daños materiales.

NOTA: Proporciona información o instrucciones de vital importancia para el funcionamiento o el mantenimiento del equipo.

NOTA SOBRE EL AMORTIGUADOR DE CHISPAS

NOTA: Para usuarios de los territorios de bosques de EE. UU. y de los estados de California, Maine, Oregon y Washington. Todos los territorios de bosques de EE. UU. y los estados de California (Códigos de Recursos Públicos 4442 y 4443), Oregon y Washington exigen por ley, que determinados motores de combustión interna que se operan en zonas cubiertas por malezas de bosque y/o hierbas cuenten con un amortiguador de chispas que se deberá mantener en condiciones de uso adecuadas o que el motor se diseñe, equipe y mantenga para prevenir incendios. Corrobore con las autoridades estatales o locales cuáles son las normativas correspondientes a dichas exigencias. El incumplimiento de dichos requerimientos podría generarle una responsabilidad o una multa. **La presente unidad se equipa en la fábrica con un amortiguador de chispas.** Si requiere reemplazo, póngase en contacto con su representante local de servicio para instalar el conjunto de silenciador adecuado.

 **PROPOSICIÓN 65 DEL ESTADO DE CALIFORNIA**
ADVERTENCIA: Este producto contiene una sustancia química que según el Estado de California puede producir cáncer, defectos de nacimiento u otros problemas reproductivos.

Lea el manual del operador y siga todas las advertencias e instrucciones de seguridad. Si no lo hace, el operador y/o los observadores pueden sufrir lesiones graves.

• INSTRUCCIONES DE SEGURIDAD IMPORTANTES •

LEA TODAS LAS INSTRUCCIONES ANTES DE USAR LA UNIDAD

 **ADVERTENCIA:** Se deben respetar todas las instrucciones de seguridad al usar la unidad. Por favor, lea estas instrucciones antes de utilizar la unidad para garantizar la seguridad del operador y los observadores. Por favor, guarde estas instrucciones para su uso posterior.

- Lea las instrucciones con atención. Debe familiarizarse con los controles y con el uso apropiado de la unidad.
- No opere esta unidad si está cansado, enfermo o bajo la influencia de alcohol, drogas o medicamentos.
- La unidad no debe ser utilizada por niños. Los adolescentes deben contar con la compañía y guía de un adulto.
- Se deben instalar correctamente todos los protectores y accesorios de seguridad antes de operar la unidad.
- Inspeccione la unidad antes de usarla. Reemplace las piezas dañadas. Compruebe si hay pérdidas de combustible. Compruebe que todas las sujeciones estén en su lugar y bien ajustadas. Reemplace las piezas que estén agrietadas, astilladas o dañadas de cualquier manera. No utilice la unidad si hay piezas sueltas o dañadas.

- Tenga en cuenta el riesgo de lesiones en la cabeza, las manos y los pies.
- Inspeccione el área con atención antes de arrancar la unidad. Extraiga las rocas, los vidrios rotos, los clavos, los cables, cordeles y demás objetos que podrían ser arrojados o enredarse en la unidad.
- Despeje la zona de niños, observadores y mascotas; manténgalos fuera de un radio de 50 pies (15 m), como mínimo. Incluso a esa distancia, sigue el riesgo de ser alcanzados por los objetos arrojados por el aire. Sugiera a los observadores que usen protección ocular. Si alguien se le aproxima, detenga la unidad de inmediato.
- Apriete el control del acelerador y verifique que vuelva automáticamente a la posición de ralentí. Realice todos los ajustes o las reparaciones antes de usar la unidad.
- Esta unidad está diseñada para uso ocasional, para el hogar únicamente.

ADVERTENCIAS DE SEGURIDAD PARA LAS UNIDADES A GASOLINA



ADVERTENCIA: La gasolina es sumamente inflamable y sus vapores pueden explotar si se encienden. Adopte las siguientes precauciones:

- Almacene el combustible únicamente en recipientes diseñados específicamente y aprobados para el almacenamiento de dichos materiales.
- Detenga siempre el motor y déjelo enfriar antes de llenar el depósito. Nunca retire la tapa del depósito de combustible ni agregue combustible cuando el motor esté caliente. Afloje siempre lentamente la tapa del depósito de combustible para descargar la presión que haya en el depósito antes de recargar combustible.
- Mezcle y agregue siempre combustible en una zona al aire libre, limpia y bien ventilada, en la que no haya chispas ni llamas. NO fume.
- Nunca opere la unidad si la tapa del combustible no está bien sujeta en su lugar.
- Evite que se genere una fuente de encendido para el combustible derramado. Limpie de inmediato el combustible derramado de la unidad, antes de encenderla. Mueva la unidad al menos 30 pies (9.1m) de la fuente de combustible y del sitio antes de arrancar el motor. NO fume.
- Nunca arranque ni use la unidad dentro de una habitación o de una construcción cerrada. La inhalación de humos de escape puede ser mortal. Opere esta unidad únicamente en una zona bien ventilada, al aire libre.

DURANTE LA OPERACIÓN

- Utilice anteojos o antiparras de seguridad que cumplan con las normas ANSI / ISEA Z87.1 vigentes y que tengan la identificación correspondiente. Utilice una protección auditiva al operar esta unidad. Utilice una máscara facial o para polvos si la máquina levanta polvo durante su funcionamiento.
- Use pantalones largos y gruesos, botas, guantes y camisa de mangas largas. No use ropa holgada, alhajas, pantalones cortos, sandalias ni ande descalzo. Sujétese el cabello a nivel de los hombros.
- Use la unidad solamente con luz de día o con una buena luz artificial.
- Evite arranques accidentales. Permanezca en la posición de arranque siempre que tire de la cuerda de arranque. El operador y la unidad deben estar en una posición estable durante el arranque. Consulte *Arranque y Parada*
- Utilice la herramienta apropiada. Use esta herramienta sólo para el propósito para el que fue diseñada.
- Sostenga siempre firmemente la unidad con ambas manos durante la operación.
- No se extienda demasiado. Siempre debe estar bien afirmado y mantener el equilibrio adecuado. Tenga cuidado al trabajar sobre escalinatas, cuestas empinadas o pendientes. Para evitar lesiones graves, no haga funcionar la unidad desde una escalera de mano o un techo.
- Mantenga las manos, el rostro y los pies alejados de todas las piezas móviles. No toque ni intente detener las piezas móviles.
- No toque el motor ni el silenciador. Estas partes se ponen extremadamente calientes por el funcionamiento, incluso después de que se apaga la unidad.
- No opere la unidad a una velocidad mayor a la necesaria para la tarea. No haga funcionar la unidad a alta velocidad cuando no está en uso.

- No exija demasiado a la unidad. Si se usa a la velocidad para la que fue diseñada, realizará un trabajo más eficiente y seguro.
- Detenga siempre la unidad cuando la operación esté demorada o cuando camine de un lugar a otro.
- Si golpea un objeto extraño o si éste se engancha en la unidad, deténgala de inmediato y controle si se produjeron daños. No utilice la unidad hasta haber reparado el daño. No utilice la unidad si hay piezas sueltas o dañadas.
- Apague el motor y desconecte la bujía para realizar tareas de mantenimiento o reparación.
- Use sólo piezas de reemplazo y accesorios del fabricante del equipo original (OEM) para esta unidad. Los puede adquirir al distribuidor de servicio autorizado. Si usa cualquier otra pieza o accesorio, el usuario podría lesionarse gravemente o la unidad podría dañarse y se anularía la garantía.
- Mantenga limpia la unidad. Quite con cuidado cualquier resto de vegetación u otros residuos que puedan bloquear las piezas móviles.
- A fin de reducir el riesgo de incendio, reemplace el silenciador y el amortiguador de chispas si están averiados. Mantenga el motor y el silenciador libres de hierbas, hojas y de la acumulación excesiva de grasa o de carbono.
- Si la unidad comienza a vibrar en forma anormal, deténgala de inmediato. Inspeccione la unidad para determinar la causa de la vibración. La vibración por lo general indica que hay algún problema.

SEGURIDAD DE LA SOPLADORA

- No inserte nada en los pasos de aire, los tubos o la boquilla de la sopladora. No utilice la unidad si uno de los pasos de aire o tubos está tapado. Mantenga los pasos de aire libres de polvo, pelusa, pelo y cualquier cosa que pueda reducir el flujo de aire.
- No utilice la unidad si no están bien colocados los tubos de la sopladora.
- No use la unidad para rociar líquidos, especialmente líquidos inflamables o combustibles, como la gasolina. No use la unidad en lugares donde esos líquidos están presentes.
- No use la unidad para rociar sustancias químicas, fertilizantes u otras substancias que puedan contener materiales tóxicos.
- No apoye la unidad sobre ninguna superficie mientras está funcionando. La toma de aire puede levantar residuos y expulsarlos por el escape, dañando la unidad u otros bienes o causando lesiones graves a los observadores o al operador.
- Durante la operación, no apunte nunca la unidad en dirección a las personas, animales, ventanas o automóviles. Dirija siempre los residuos soplados lejos de las personas, animales, ventanas y automóviles.
- Tenga aún más cuidado al soplar residuos cerca de objetos sólidos como árboles, muros, vallas, etc. Siempre que pueda, sople en dirección opuesta a esos objetos y no hacia ellos.
- Tenga cuidado cuando trabaja cerca de plantas valiosas. La fuerza del aire soplado puede dañar a las plantas jóvenes.
- No intente nunca destapar una toma de aire mientras la unidad está funcionando.
- Mantenga el cabello, los dedos y otras partes del cuerpo alejados de las piezas móviles y las aberturas.

OTRAS ADVERTENCIAS DE SEGURIDAD







- El mantenimiento de la unidad debe ser minucioso.
- Todas las tareas de reparación, con excepción de los procedimientos de mantenimiento que se describen en este manual, deben ser realizados por un distribuidor de servicio autorizado.
- Nunca extraiga, modifique o deje inoperativo ningún dispositivo de seguridad que venga con la unidad.
- Antes de inspeccionar, limpiar, guardar o transportar la unidad, o de hacer tareas de reparación o mantenimiento o reemplazar alguna de sus piezas:
 1. Detenga la unidad.
 2. Asegúrese de que se hayan detenido todas las piezas móviles.
 3. Deje que la unidad se enfríe.
 4. Desconecte el cable de la bujía.
- Sujete la unidad durante el transporte.
- Nunca almacene la unidad con combustible en el depósito, en el interior de una construcción donde las emanaciones puedan alcanzar una llama abierta (luces piloto, etc.) o chispas (interruptores, motores eléctricos, etc.).
- Almacene la unidad en un lugar seco, asegurada o a una altura que evite que se la use sin autorización o se la dañe. Mantenga la unidad lejos del alcance de los niños.
- Nunca rocíe ni arroje chorros de agua ni de ningún otro líquido a la unidad. Mantenga las manijas secas y limpias (sin residuos, aceite ni grasa). Limpie la unidad luego de cada uso. Consulte *Limpieza y almacenamiento*. No utilice solventes o detergentes fuertes.
- Guarde estas instrucciones. Consúltelas con frecuencia y úselas para capacitar a otros usuarios. Si le presta esta unidad a otras personas, también debe prestarles estas instrucciones.

GUARDE ESTAS INSTRUCCIONES

• SÍMBOLOS INTERNACIONALES Y DE SEGURIDAD •

Este manual del operador describe símbolos de seguridad e internacionales, así como pictogramas, que pueden aparecer en este producto. Lea el manual del operador para obtener información completa sobre seguridad, montaje, funcionamiento, mantenimiento y reparaciones.

SÍMBOLOS SIGNIFICADO

	<p>• SÍMBOLO DE ALERTA DE SEGURIDAD</p> <p>Indica peligro, advertencia o precaución. Puede utilizarse junto con otros símbolos o pictogramas.</p>
	<p>• LEA EL MANUAL DEL OPERADOR</p> <p>ADVERTENCIA: Lea el (los) manual(es) del operador y cumpla todas las advertencias e instrucciones de seguridad. Si no lo hace, el operador y/o los observadores pueden sufrir lesiones graves.</p>
	<p>• UTILICE PROTECCIÓN OCULAR Y AUDITIVA</p> <p>ADVERTENCIA: Los objetos que son arrojados por el aire y los ruidos fuertes pueden provocar graves lesiones oculares y pérdidas de audición. Cuando opere esta unidad, utilice protección ocular que cumpla con las normas ANSI / ISEA Z87.1 vigentes y protectores auditivos. Utilice una máscara que cubra todo el rostro si es necesario.</p>
	<p>• COMBUSTIBLE SIN PLOMO</p> <p>Utilice siempre combustible limpio, nuevo y sin plomo.</p>
	<p>• ACEITE</p> <p>Consulte el manual del operador para conocer el tipo adecuado de aceite.</p>
	<p>• NO UTILICE COMBUSTIBLE E85 EN ESTA UNIDAD</p> <p>ADVERTENCIA: Se ha demostrado que el combustible que contiene más de un 10% de etanol es probable que dañe este motor y anule la garantía.</p>

SÍMBOLOS SIGNIFICADO

	<p>• APAGADO/ENCENDIDO DE CONTROL DE PARADA</p> <p>ENCENDIDO / ARRANQUE / MARCHA</p>
	<p>• APAGADO/ENCENDIDO DE CONTROL DE PARADA</p> <p>APAGADO o PARADA</p>
	<p>• BULBO DEL CEBADOR</p> <p>Presione por completo el bulbo del cebador lentamente 10 veces.</p>
	<p>• CONTROL DEL ESTRANGULADOR</p> <ol style="list-style-type: none"> • Posición FULL (máximo) del estrangulador • Posición PARTIAL (parcial) del estrangulador • Posición RUN (funcionamiento) del estrangulador
	<p>• LOS OBJETOS ARROJADOS PUEDEN PROVOCAR LESIONES GRAVES</p> <p>ADVERTENCIA: Es posible que se arrojen objetos pequeños por el aire a alta velocidad, lo cual puede provocar lesiones.</p>
	<p>• MANTENGA ALEJADOS A LOS OBSERVADORES</p> <p>ADVERTENCIA: Mantenga a todos los observadores, especialmente a los niños y las mascotas, al menos a 50 pies (15 m) de la zona de trabajo.</p>
	<p>• SUPERFICIE CALIENTE</p> <p>ADVERTENCIA: No toque el silenciador o el cilindro cuando estén calientes. Puede quemarse. Estas piezas se calientan extremadamente durante el funcionamiento. Una vez apagadas, continúan calientes durante un período breve.</p>
	<p>• SOPLADORAS – LAS CUCHILLAS DEL ROTOR EN MOVIMIENTO PUEDEN OCASIONAR LESIONES GRAVES</p> <p>ADVERTENCIA: Detenga la unidad y deje que el rotor pare antes de cambiar los tubos, limpiar o realizar cualquier mantenimiento. Mantenga las manos y los pies alejados de las partes móviles.</p>

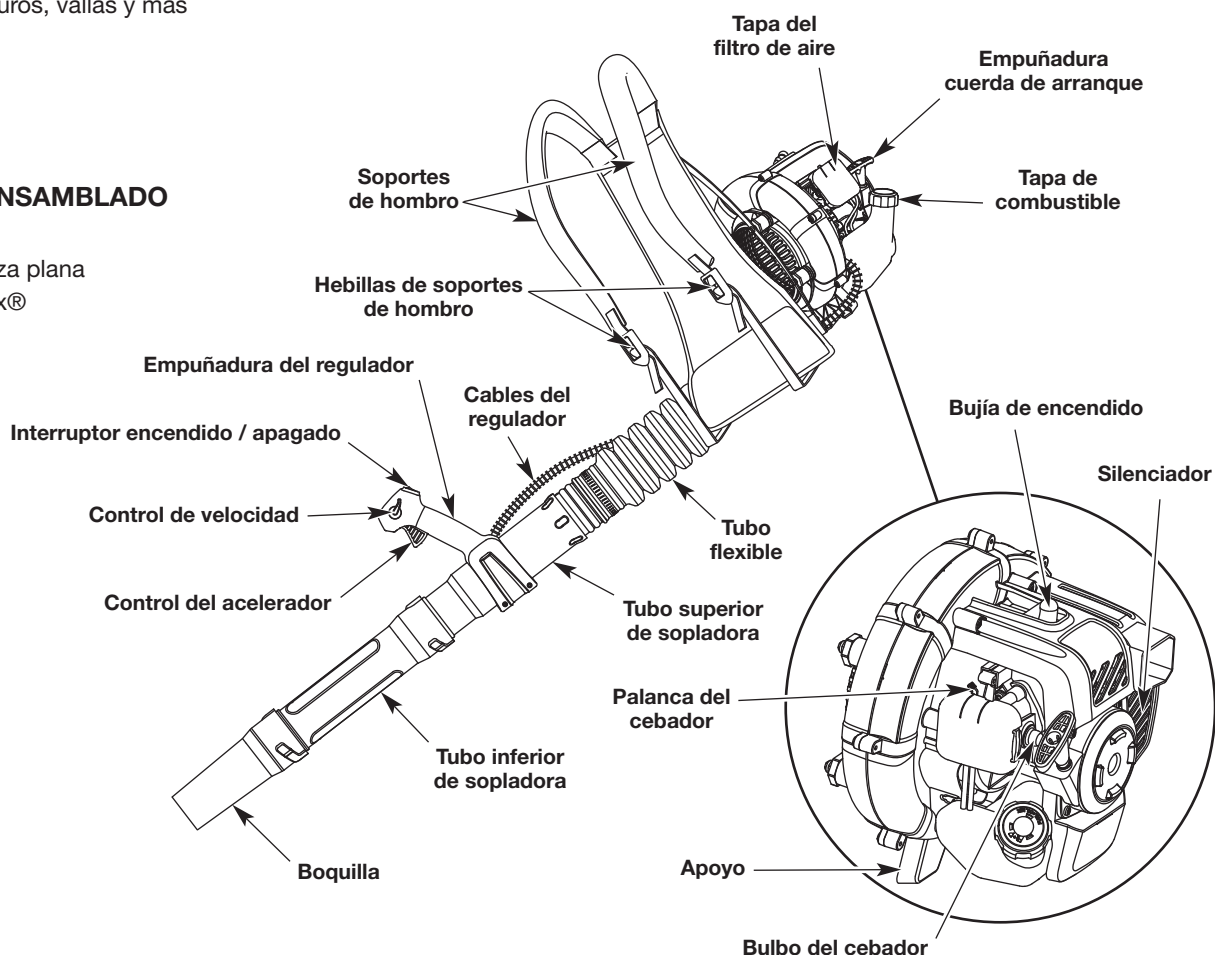
CONOZCA SU UNIDAD

APLICACIONES

- Limpieza de jardines, garajes, caminos de acceso, porches, patios, alrededor de muros, vallas y más

HERRAMIENTAS DE ENSAMBLADO REQUERIDAS:

- Destornillador de cabeza plana
- Destornillador T-20 Torx®



ESPECIFICACIONES*

Tipo de motor	Refrigerado por aire, de 2 ciclos
Desplazamiento	27 cc (1.64 pulgadas cúbicas)
Separación de las bujías	0.025 pulgadas (0.635 mm)
Bujía de encendido	Champion® RDJ7J o bujía equivalente
Lubricación	Mezcla de combustible y aceite
Relación combustible/aceite	40:1
Capacidad del depósito de combustible)	20 onzas (591 ml)
Peso aproximado de la unidad (sin combustible)	17 - 18 libras (7.7 - 8.2 kg)
Volumen de aire** (medido en: salida / tubo inferior / boquilla)	445 / 425 / 275 pies ³ /min (12 / 12 / 7 m ³ /min)
Velocidad de aire (Pico)** (medido en: salida / tubo inferior / boquilla)	125 / 115 / 150 mph (201 / 185 / 241 km/h)
Velocidad de aire (Promedio)** (medido en: salida / tubo inferior / boquilla)	100 / 90 / 145 mph (161 / 145 / 233 km/h)

* Todas las especificaciones están basadas se basan en la información más reciente sobre el producto disponible al momento de la impresión. Nos reservamos el derecho a realizar cambios en cualquier momento sin previo aviso.

** Por ANSI B175.2.

MONTAJE DEL TUBO DE LA SOPLADORA



ADVERTENCIA: A fin de evitar lesiones personales graves y daños a la unidad, apáguela antes de extraer o instalar los tubos o boquillas de la sopladora.

Instalación del tubo flexible

1. Coloque una abrazadera de manguera alrededor de un extremo del tubo flexible (Fig. 1).
2. Deslice el tubo y la abrazadera sobre el tubo en codo (Fig. 1).
3. Ajuste el tornillo de la abrazadera de la manguera con un destornillador de cabeza plana (Fig. 1).

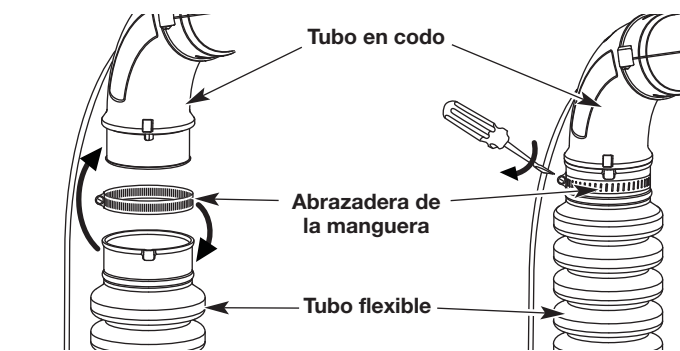


Fig. 1

Instalación del tubo superior de la sopladora

1. Coloque una abrazadera de manguera alrededor del otro extremo del tubo flexible (Fig. 2).
2. Deslice el tubo y la abrazadera sobre el extremo superior del tubo superior de la sopladora (Fig. 2).
3. Ajuste el tornillo de la abrazadera de la manguera con un destornillador de cabeza plana (Fig. 2).

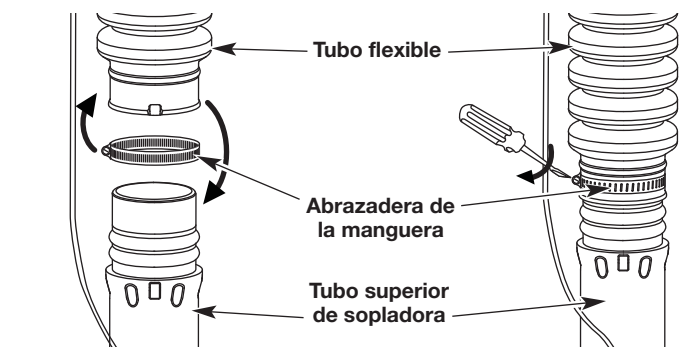


Fig. 2

Instalación del tubo inferior de la sopladora

1. Alinee el tope del tubo superior de la sopladora con la ranura de tope del tubo inferior (Fig. 3).
2. Inserte el tubo superior de la sopladora en el tubo inferior (Fig. 3).
3. Mientras sostiene el tubo superior, gire el tubo inferior de la sopladora en el sentido de las agujas del reloj hasta que calce en su lugar (Fig. 3).

Instalación de la boquilla

1. Alinee el tope del tubo inferior de la sopladora con la ranura de tope de la boquilla (Fig. 4).
2. Inserte el tubo inferior de la sopladora en la boquilla (Fig. 4).
3. Mientras sostiene el tubo inferior, gire la boquilla en el sentido de las agujas del reloj hasta que calce en su lugar (Fig. 4).

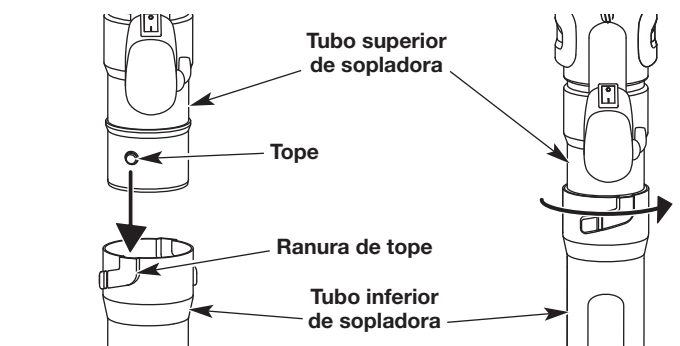


Fig. 3

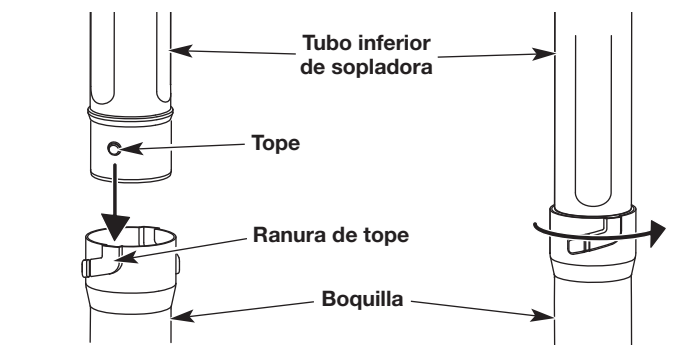


Fig. 4

Sujeción de los cables del regulador

1. Envuelva un sujetacables alrededor del tubo en codo y los cables del regulador (Fig. 5).
2. Con cuidado ajuste el sujetacables. No doble los cables del regulador.

Ajuste de la empuñadura del regulador

1. Mueva la empuñadura del regulador a la ubicación del tubo superior de la sopladora que ofrezca el mejor agarre (Fig. 6).
2. Ajuste los dos tornillos de la empuñadura del regulador con un destornillador T-20 Torx® hasta que la empuñadura esté fija (Fig. 6).

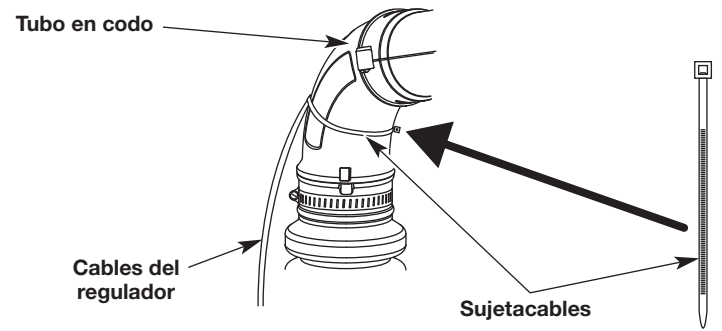


Fig. 5

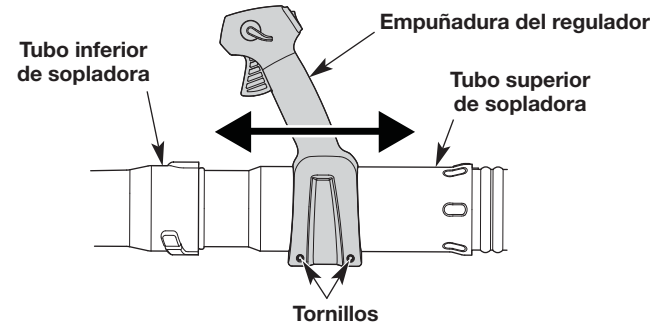


Fig. 6

INSTRUCCIONES PARA LA MEZCLA DEL ACEITE Y EL COMBUSTIBLE

El uso de combustible viejo y/o mal mezclado es la causa más frecuente de los problemas de rendimiento. Sólo se debe utilizar gasolina nueva, limpia y sin plomo. Siga atentamente las instrucciones para que la mezcla de gasolina/aceite sea adecuada.

Definición de combustibles mezclados

Actualmente los combustibles con frecuencia son una mezcla de gasolina y oxigenatos como etanol, metanol o éter (éter metílico terciario-butílico, MTBE). Los combustibles con mezcla de alcohol absorben el agua. Con tan solo un 1% de agua en el combustible es posible que el combustible y el aceite se separen, formando ácidos cuando se almacenan. SIEMPRE debe usar combustible nuevo (con menos de 30 días de antigüedad).

NOTA: Deseche el combustible usado de acuerdo con las normativas federales, estatales y locales.

Uso de combustibles mezclados

Si utiliza un combustible mezclado:

- Utilice siempre la mezcla de combustible nueva según se explica en el manual del operador
- Use el aditivo para combustible STA-BIL® u otro equivalente
- Agite siempre la mezcla de combustible antes de recargar combustible en la unidad
- Drene el depósito y ponga en marcha el motor en seco antes de almacenar la unidad



ADVERTENCIA: NO UTILICE COMBUSTIBLE E85 EN ESTA UNIDAD. Se ha demostrado que el combustible que contiene más de un 10% de etanol es probable que dañe este motor y anule la garantía.

Uso de aditivos para el combustible

La botella de aceite de 2 ciclos que se suministra con esta unidad contiene un aditivo para combustible que ayuda a inhibir la corrosión y minimiza la formación de depósitos de goma. Utilice siempre la marca de aceite de 2 ciclos que vino con esta unidad. Si no está disponible, utilice un aceite de 2 ciclos que esté diseñado para motores enfriados por aire y mézclelo con un aditivo para combustible, como el estabilizador de combustible STA-BIL u otro equivalente. Agregue 0.8 onzas (23 ml) de aditivo para combustible por galón de combustible según las instrucciones del recipiente. NUNCA agregue aditivos para el combustible directamente al depósito de combustible de la unidad.



Mezcla del combustible

NOTA: La presente unidad viene con una botella de 3.2 onzas (95 ml) de aceite de 2 ciclos. Para obtener la mezcla de combustible correcta que se describe a continuación, vierta toda la botella dentro de un galón de gasolina sin plomo.



PRECAUCIÓN: Para el funcionamiento correcto del motor y la máxima confiabilidad, preste mucha atención y siga estrictamente las instrucciones para la mezcla de la gasolina y el aceite que figuran en la botella de aceite de 2 ciclos. El uso de combustible que se mezcló incorrectamente puede dañar gravemente el motor.

Mezcle completamente la proporción adecuada de gasolina sin plomo con el aceite para motor de 2 ciclos. No los mezcle directamente en el depósito de combustible de la unidad. Use una lata de combustible separada. Utilice una proporción de 40:1 de gasolina/aceite. Consulte la tabla a continuación para conocer las proporciones específicas para mezclar la gasolina y el aceite.

	
Gasolina sin plomo	Aceite de 2 ciclos
1 galón EE. UU. (3.8 litros)	3.2 onzas líquidas (95 ml)
1 liter	25 ml

PROPORCIÓN DE LA MEZCLA - 40:1

CARGA DE COMBUSTIBLE EN LA UNIDAD



ADVERTENCIA: La gasolina es extremadamente inflamable. Los vapores encendidos pueden explotar. Detenga siempre el motor y déjelo enfriar antes de llenar el depósito de combustible. No fume mientras llena el depósito. Mantenga las chispas y llamas abiertas a una distancia de la zona.



ADVERTENCIA: Retire la tapa del combustible lentamente a fin de evitar lesiones ocasionadas por salpicaduras de combustible. Nunca opere la unidad si la tapa del combustible no está bien sujeta en su lugar.



ADVERTENCIA: Agregue combustible en una zona al aire libre, limpia y bien ventilada. Limpie de inmediato la gasolina que se haya derramado. Evite que se genere una fuente de encendido para el combustible derramado. No arranque el motor hasta que se hayan disipado los vapores del combustible.

1. Ubique la unidad con la tapa del combustible orientada hacia arriba.
2. Extraiga la tapa de combustible.
3. Ubique el pico del recipiente de combustible dentro del orificio de llenado del depósito de combustible y llene el depósito.

NOTA: No llene en exceso el depósito de combustible.

4. Limpie el combustible que se pueda haber derramado.
5. Vuelva a colocar la tapa del combustible.
6. Mueva la unidad al menos 30 pies (9.1m) del recipiente de combustible y del sitio de carga de combustible antes de arrancar el motor.

ARRANQUE Y PARADA



ADVERTENCIA: Opere esta unidad únicamente en una zona bien ventilada, al aire libre. Los humos de escape de monóxido de carbono pueden ser mortales en un lugar cerrado.



ADVERTENCIA: Se debe evitar arrancar accidentalmente la unidad. A fin de evitar que se produzcan lesiones graves, el operador y la unidad deben estar en una posición estable cuando se jala la cuerda de arranque (Fig. 9).



ADVERTENCIA: Cuando arranque la unidad, asegúrese que no esté orientada hacia las personas, animales, ventanas, automóviles o desechos sueltos.

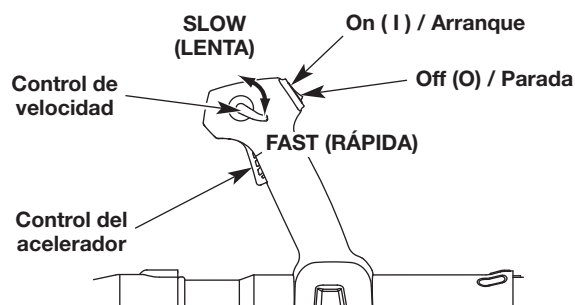


Fig. 7

INSTRUCCIONES DE ARRANQUE

1. Mezcle gasolina con aceite. Consulte las *instrucciones para la mezcla de aceite y combustible*.
 2. Cargue el depósito de combustible. Consulte *Carga de combustible en la unidad*.
- NOTA:** No es necesario encender la unidad. El interruptor de encendido/apagado está en la posición ON (I) (encendido) en todo momento (Fig. 7).
3. Presione y luego suelte el bulbo del cebador lentamente **10 veces** (Fig. 8). Si no puede ver combustible en el bulbo del cebador, oprima y suelte el bulbo del cebador hasta que se vea combustible.
 4. Coloque la palanca del estrangulador en la **Posición 1** (Fig. 8).
 5. Mueva el control de velocidad a la posición FAST (Fig. 7).

NOTA: Mantenga el control de velocidad en la posición FAST durante **TODOS** los pasos siguientes.

6. Agacharse en la posición de arranque (Fig. 9).
7. Tire de la cuerda de arranque con un movimiento firme y controlado **5 veces** (Fig. 9).
8. Coloque la palanca del estrangulador en la **Posición 2** (Fig. 8).
9. Tire de la cuerda de arranque con un movimiento controlado y firme entre **3 y 5 veces** para que arranque el motor.
10. Deje que el motor se caliente durante 30 a 60 segundos.
11. Pase la palanca del estrangulador a la **Posición 3** (Fig. 8) y siga calentando el motor durante 60 segundos más. Se puede usar la unidad durante este período.

NOTA: El motor se calentó adecuadamente cuando acelera sin problemas.

NOTA: Cuando el motor se ha calentado correctamente, el control de velocidad puede ajustarse y el control del regulador se puede usar normalmente.

- SI...** el motor no funciona de manera uniforme, regrese la palanca del estrangulador a la **Posición 2** (Fig. 8) y siga calentándolo.
- SI...** el motor no arranca, comience el procedimiento de arranque con el paso 3.
- SI...** el motor no arranca al cabo de unos pocos intentos, pase la palanca del cebador a la **Posición 3** y mueva el control de velocidad a la posición FAST. Tire de la cuerda de arranque con un movimiento controlado y firme entre **3 y 8 veces**. El motor debe arrancar. Si no lo hace, repita esta instrucción.
- SI...** el motor ya está caliente, comience el procedimiento de arranque con el paso 8.

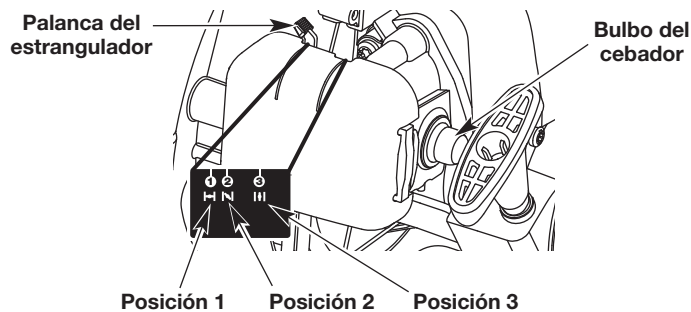


Fig. 8

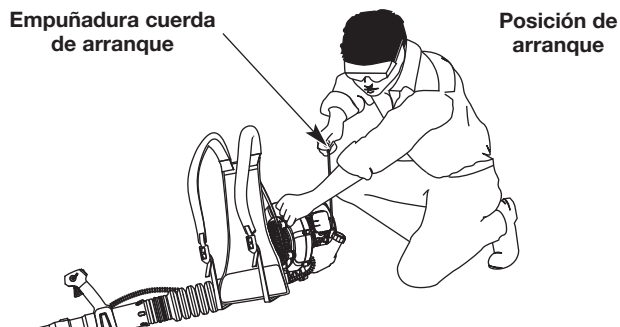


Fig. 9

INSTRUCCIONES DE DETENCIÓN

1. Suelte el control del regulador, o mueva el control de velocidad a la posición SLOW, y deje que el motor funcione en ralentí.
2. Oprima y mantenga apretado el interruptor de encendido/apagado en la posición OFF (O) (apagado) hasta que el motor se pare por completo (Fig. 7).

FUNCIONAMIENTO



ADVERTENCIA: A fin de evitar que se produzcan lesiones personales graves, no opere nunca la unidad sin los tubos de la sopladora firmemente instalados.



ADVERTENCIA: Utilice siempre protección ocular, auditiva, de manos, pies y corporal para reducir el riesgo de sufrir lesiones durante la operación de esta unidad. Utilice una máscara facial o para polvos si la máquina levanta polvo durante su funcionamiento.

CÓMO COLOCARSE Y SACARSE LA UNIDAD

Para colocarse la unidad

1. Póngase los soportes de hombro sobre ambos hombros. El motor debe quedar bien apoyado contra la espalda del operador.
2. Tire hacia abajo de las correas de los soportes de hombro para ajustarlas (Fig. 10).

NOTA: Encienda la unidad antes de colocársela. Consulte *Arranque y Parada*.

Para sacarse la unidad

1. Tire hacia arriba de las lengüetas de las hebillas de los soportes de hombro para aflojar los soportes (Fig. 11).
2. Retire la unidad.

CÓMO SOSTENER LA UNIDAD

- Párese en la posición de arranque (Fig. 12). Párese derecho. No se incline sobre el aparato.
- Mantenga los pies alejados y apoyados firmemente sobre el suelo.
- Sujete la empuñadura del regulador con la mano derecha. Mantenga el brazo derecho ligeramente doblado.
- Compruebe que la unidad está cómodamente asegurada sobre la espalda del operador.

RECOMENDACIONES PARA MEJORES RESULTADOS

- Conserve agua utilizando la sopladora en lugar de una manguera para realizar muchas tareas de limpieza en exteriores.
- Opere la unidad sólo en horarios razonables, ni temprano de mañana ni a la noche tarde cuando se puede molestar a la gente. Acate las horas detalladas en las ordenanzas locales. La recomendación usual es de 9:00 am a 5:00 pm, de lunes a sábado.
- Para reducir el nivel de ruido, opere la unidad a la velocidad mínima necesaria para la tarea. Limite el número de equipos de potencia que se utilizan al mismo tiempo.
- Use rastrillos o escobas para aflojar los residuos antes de la operación.
- Cuando hay mucho polvo, humedezca ligeramente las superficies.
- Use el control de velocidad para facilitar la operación continua (Fig. 7).
- Esté atento a los niños, las mascotas, las ventanas abiertas y los autos recién lavados. Sople los residuos lejos de ellos. Nunca debe apuntar la unidad hacia alguien mientras está funcionando.
- Desplace la unidad de un lado al otro con el tubo del soplador varias pulgadas por sobre el suelo. Avance lentamente, manteniendo los desechos acumulados delante del operador.
- Use la boquilla para concentrar el chorro de aire cerca del terreno.
- Limpie al terminar la operación. Elimine los residuos correctamente.

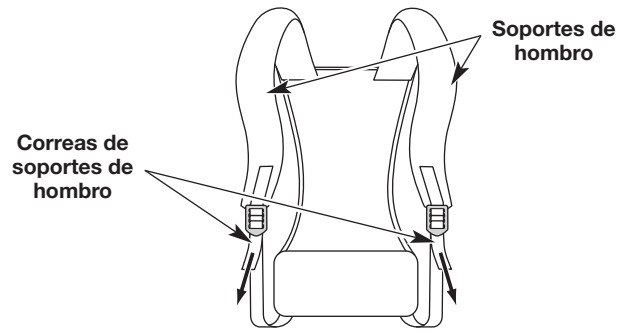


Fig. 10

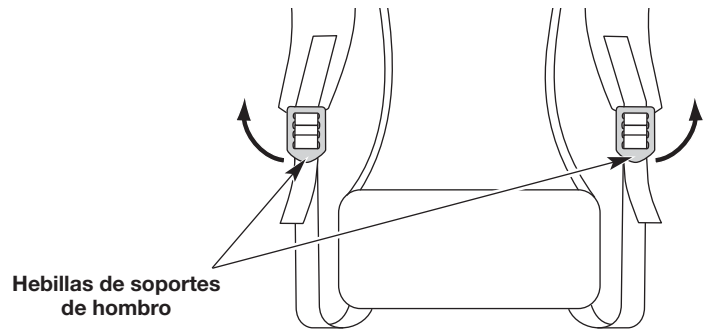


Fig. 11



Fig. 12



ADVERTENCIA: Para evitar lesiones graves, nunca realice el mantenimiento ni las reparaciones con la unidad en funcionamiento. Siempre deje que se enfríe la unidad antes de hacer el mantenimiento o las reparaciones de la unidad. Desconecte el cable de la bujía para evitar que la unidad arranque accidentalmente.

PROGRAMA DE MANTENIMIENTO

Realice estos procedimientos de mantenimiento requeridos con la frecuencia establecida en la tabla. Estos procedimientos también deben realizarse como parte de la afinación estacional.

NOTA: Algunos procedimientos de mantenimiento pueden requerir herramientas o habilidades especiales. Si no está seguro acerca de estos procedimientos, lleve la unidad a un distribuidor de servicio autorizado de MTD.

NOTA: Los trabajos de mantenimiento, reemplazo o reparación de los dispositivos y los sistemas de control de emisiones puede realizarlos un distribuidor de servicio autorizado de MTD.

NOTA: Lea la declaración de California/EPA que recibió con la unidad para obtener un listado completo de las condiciones y la cobertura para los dispositivos de control de emisiones, tales como los amortiguadores de chispas, el silenciador, el carburador, etc.

FRECUENCIA	MANTENIMIENTO REQUERIDA
Cada 10 horas	<ul style="list-style-type: none"> • Limpie y vuelva a lubricar el filtro de aire. Consulte <i>Mantenimiento del filtro de aire</i>.
Cada 25 horas	<ul style="list-style-type: none"> • Controle el estado y la separación de la bujía de encendido. Consulte <i>Mantenimiento de la bujía de encendido</i>.

MANTENIMIENTO DEL FILTRO DE AIRE



ADVERTENCIA: A fin de evitar lesiones personales graves, siempre pare el motor y deje que se enfríe antes de limpiar o mantener la unidad.

Si no se mantiene el filtro de aire se puede obtener un rendimiento insuficiente o se puede dañar el motor de manera permanente. Las averías del motor ocasionadas por un mantenimiento inadecuado del filtro de aire no están cubiertas por la garantía del producto.

Limpieza del filtro de aire

1. Abra la cubierta del filtro de aire: oprima la lengüeta de fijación y gire la cubierta del filtro de aire hacia la izquierda (Fig. 13).
2. Extraiga el filtro de aire (Fig. 13).
3. Lave el filtro de aire con agua y detergente. Enjuague minuciosamente el filtro de aire y déjelo secar.
4. Cubra el filtro de aire con una capa ligera de aceite SAE 30 limpio.
5. Apriete el filtro de aire para distribuir y eliminar el exceso de aceite.
6. Vuelva a instalar el filtro de aire (Fig. 13).

NOTA: Si se opera la unidad sin el filtro de aire y sin la cubierta del filtro de aire se ANULARÁ la garantía.

7. Cierre la cubierta del filtro de aire: inserte las lengüetas de la cubierta del filtro de aire en las ranuras de la placa posterior. Gire la cubierta del filtro de aire hacia la derecha y oprímala para cerrarla hasta que la lengüeta de fijación calza a presión en su lugar (Fig. 13).

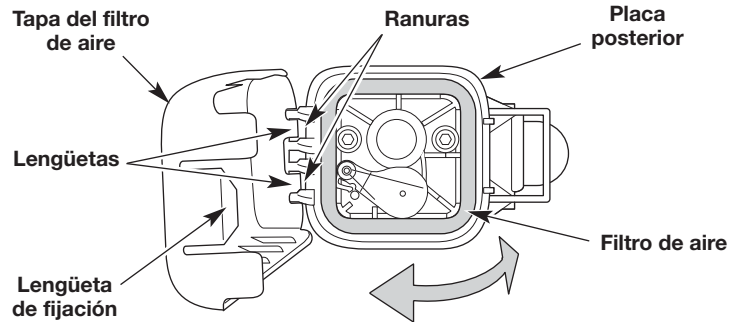


Fig. 13

AJUSTE DE LA VELOCIDAD DE RALENTÍ



ADVERTENCIA: Utilice vestimenta de protección y respete todas las instrucciones de seguridad para evitar que se produzcan lesiones personales graves.

NOTA: Los ajustes que se realizan de manera descuidada pueden dañar gravemente la unidad. Los ajustes del carburador debe realizarlos un distribuidor de servicio autorizado.

Si, después de controlar el combustible y limpiar el filtro de aire, el motor sigue sin funcionar al ralentí, ajuste el tornillo de velocidad de ralentí de la siguiente manera:

1. Arranque el motor. Consulte *Arranque y Parada*.
2. Mueva el control de velocidad a la posición SLOW y deje que el motor funcione en ralentí.
 - Si el motor se para, use un destornillador Phillips pequeño para girar el tornillo de velocidad de ralentí en el sentido de las agujas del reloj, 1/8 de giro cada vez (según sea necesario) hasta que el motor funciona al ralentí de manera uniforme (Fig. 14).
 - Si el motor funciona al ralentí demasiado rápido, gire el tornillo de velocidad de ralentí en el sentido contrario de las agujas del reloj, 1/8 de giro a la vez (según sea necesario) para reducir la velocidad de ralentí (Fig. 14).

El control del combustible, la limpieza del filtro de aire y el ajuste de la velocidad de ralentí deben resolver la mayoría de los problemas del motor. De lo contrario, y si está presente alguna de las siguientes condiciones, lleve la unidad a un distribuidor de servicio autorizado:

- el motor no funciona al ralentí
- el motor no funciona de manera uniforme o se detiene al acelerar
- existe una pérdida de potencia del motor

MANTENIMIENTO DE LA BUJÍA

1. Detenga el motor y deje que se enfríe. Sujete con firmeza la funda de la bujía y tire para sacarla de la bujía.
2. Limpie alrededor de la bujía. Retire la bujía de la tapa del cilindro con una llave de cubo de 5/8 pulgadas, girando en sentido contrario a las agujas del reloj.



ADVERTENCIA: No limpie de forma abrasiva ni raspe o limpie los electrodos de las bujías. La presencia de polvo abrasivo en el motor podría dañar el cilindro.

3. Inspeccione la bujía. Si la bujía está agrietada, averiada o sucia, reemplácela por una pieza de reemplazo n.º 753-06193, una **Champion RDJ7J** o una bujía equivalente.
4. Use un calibre de separación para ajustar una separación de aire de **0.025 pulgadas (0.635 mm)** (Fig. 15).
5. Instale la bujía dentro de la tapa del cilindro. Apriete la bujía con una llave de cubo de 5/8 pulgadas, girando en el sentido de las agujas del reloj hasta que quede ajustada.

NOTA: Si se usa una llave de par, apriete hasta:

110-120 pulgada•libra (12.3-13.5 N•m). No ajuste demasiado.

6. Vuelva a colocar la funda de la bujía.

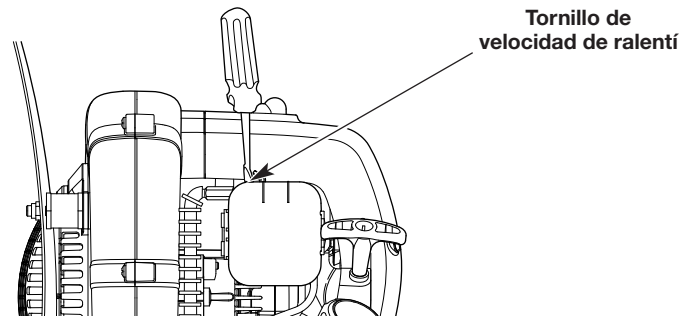


Fig. 14

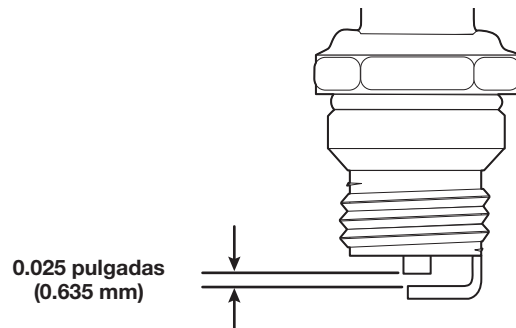


Fig. 15

LIMPIEZA



ADVERTENCIA: A fin de evitar lesiones personales graves, siempre pare el motor y deje que se enfríe antes de limpiar o mantener la unidad.

Use un cepillo pequeño para limpiar el exterior de la unidad. No utilice detergentes fuertes. Los productos de limpieza para el hogar que contienen aceites aromáticos como pino y limón, y los disolventes como el queroseno, pueden dañar el plástico. Limpie todo rastro de humedad con una tela suave.

ALMACENAMIENTO

- Nunca almacene la unidad con combustible en lugares donde las emanaciones pueden alcanzar llamas abiertas o chispas.
- Deje que se enfríe el motor antes de almacenar la unidad.
- Trabe la unidad para evitar que se la utilice sin permiso o que se provoquen daños.
- Almacene la unidad en una zona seca y bien ventilada.
- Almacene la unidad lejos del alcance de los niños.

Almacenamiento a largo plazo

1. Retire la tapa de combustible, incline la unidad y drene el combustible en un recipiente aprobado. Vuelva a colocar la tapa del combustible.
2. Arranque el motor y déjelo correr hasta que se detenga. Esto asegura que todo el combustible se haya drenado del carburador.
3. Deje que el motor se enfríe. Quítele la bujía y eche 5 gotas de cualquier aceite de motor de 2 tiempos de alta calidad en el cilindro. Jale la cuerda de arranque para distribuir el aceite. Coloque nuevamente la bujía.
4. Limpie minuciosamente la unidad e inspeccione si hay alguna pieza suelta o dañada. Repare o reemplace las piezas dañadas y ajuste los tornillos, tuercas o pernos que estén flojos.

Preparación de la unidad para su uso luego del almacenamiento a largo plazo

1. Retire la bujía y drene todo el aceite del cilindro.

NOTA: No use combustible que haya estado guardado durante más de 30 días. Deseche el combustible usado de acuerdo con las normativas federales, estatales y locales.

SOLUCIÓN DE PROBLEMAS

PROBLEMA	SOLUCIÓN
EL MOTOR NO ARRANCA	
El depósito de combustible está vacío	Llene el depósito de combustible con combustible que se haya mezclado adecuadamente
El bulbo del cebador no se presionó lo suficiente	Oprima el bulbo del cebador 10 veces o hasta que se vea combustible
El motor se ahoga	Mueva la palanca del estrangulador a la Posición 3, apriete el control del acelerador y tire de la cuerda de arranque
El combustible está viejo (más de 30 días) y/o no se mezcló adecuadamente	Drene el depósito de combustible y agregue combustible nuevo, que se haya mezclado adecuadamente
La bujía está averiada	Vuelva a colocar la bujía
EL MOTOR NO FUNCIONA AL RALENTÍ	
El filtro de aire está sucio	Limpie o reemplace el filtro de aire
El combustible está viejo (más de 30 días) y/o no se mezcló adecuadamente	Drene el depósito de combustible y agregue combustible nuevo, que se haya mezclado adecuadamente
La velocidad de ralentí es incorrecta	Ajuste la velocidad de ralentí
EL MOTOR NO ACELERA	
El combustible está viejo (más de 30 días) y/o no se mezcló adecuadamente	Drene el depósito de combustible y agregue combustible nuevo, que se haya mezclado adecuadamente
El filtro de aire está sucio	Limpie o reemplace el filtro de aire
AL MOTOR LE FALTA POTENCIA O SE PARA	
El combustible está viejo (más de 30 días) y/o no se mezcló adecuadamente	Drene el depósito de combustible y agregue combustible nuevo, que se haya mezclado adecuadamente
El filtro de aire está sucio	Limpie o reemplace el filtro de aire
La bujía está averiada	Vuelva a colocar la bujía

Si necesita asistencia adicional, comuníquese con un distribuidor de servicio autorizado.

GARANTÍA LIMITADA DEL FABRICANTE PARA:

REMINGTON®

Remington LLC concede la garantía limitada establecida debajo para mercancías nuevas que sean compradas y usadas en los Estados Unidos, sus posesiones y territorios.

Remington LLC garantiza este producto contra defectos en el material y la mano de obra durante un período de dos (2) años, a partir de la fecha de compra original y a su entera discreción, arreglará o substituirá sin costo alguno cualquier pieza cuyo material o mano de obra se considere defectuoso. Esta garantía limitada se deberá aplicar únicamente si este producto ha sido manejado y mantenido de acuerdo al Manual del Operario incluido con el producto y, si no ha sido sometido a mal uso, abuso, uso comercial, negligencia, accidente, mantenimiento inapropiado, alteración, vandalismo, hurto, fuego, agua o daños debidos a otros riesgos o desastre natural. Los daños ocasionados por la instalación o el uso de cualquier accesorio o aditamento que no esté aprobado por Remington y que sea usado con el (los) producto(s) contemplados en este manual, anularán la garantía con respecto a cualquier daño resultante. Esta garantía está limitada a noventa (90) días a partir de la fecha de compra original al detalle de cualquier producto Remington que se use para alquiler, para propósitos comerciales o cualquier otro propósito que genere ingresos.

CÓMO OBTENER SERVICIO: El servicio de garantía está disponible A TRAVÉS DE SU DISTRIBUIDOR DE SERVICIO LOCAL AUTORIZADO, AL PRESENTAR EL COMPROBANTE DE COMPRA. Para localizar al distribuidor en su área, visite nuestro sitio en Internet en www.remingtonpowertools.com, busque el aviso clasificado en las Páginas Amarillas, llame al **1-866-206-2707** en EE.UU. o al **1-877-696-5533** en Canada, o escriba a Remington LLC, PO Box 361032, Cleveland, OH 44136. No se aceptará ningún producto que sea enviado directamente a la fábrica, a menos que haya recibido autorización previa por escrito por parte del Departamento de Servicio al Consumidor de Remington.

Esta garantía limitada no ofrece cobertura en los siguientes casos:

- A. Sincronizaciones - bujías, ajustes de carburadores, filtros.
 - B. Artículos de desgaste – Perillas de impacto, bobinas exteriores, hilo de corte, carretes interiores, polea de arranque, cuerdas de arranque, correas de transmisión, motosierras, barras de guía, dientes de la cultivadora, cuchillas.
 - C. Remington no le ofrece ninguna garantía a los productos que sean vendidos o exportados fuera de los Estados Unidos de América, sus posesiones y territorios, excepto aquellos que se vendan a través de los canales de distribución para exportación autorizados por Remington.
- Remington se reserva el derecho a cambiar o mejorar el diseño de cualquier producto Remington, sin adoptar ninguna obligación para modificar cualquier producto fabricado con anterioridad.

Ninguna garantía implícita es aplicable después del período de aplicabilidad de la garantía expresa escrita con anterioridad, incluyendo cualquier garantía implícita de comerciabilidad o idoneidad para un propósito particular con respecto a las piezas identificadas. Exceptuando lo mencionado anteriormente, ninguna otra garantía expresa bien sea escrita o verbal con respecto a cualquier producto que sea concedida por cualquier persona o entidad, incluyendo al distribuidor o minorista, deberá comprometer a Remington LLC durante el período de la Garantía, el remedio exclusivo es el arreglo o la sustitución del producto según lo establecido anteriormente. (Algunos estados no permiten limitaciones en cuanto al período de duración de una garantía implícita, de manera que puede que la limitación anterior no sea aplicable en su caso.)

Las estipulaciones establecidas en esta Garantía ofrecen la solución única y exclusiva que resulte de las ventas. Remington no deberá ser responsable de pérdidas o daños incidentales o consecuentes que incluyan, sin limitación, gastos incurridos debido a la sustitución de servicios de mantenimiento de prados, transporte o gastos relacionados, o gastos de alquiler para reemplazar temporalmente un producto bajo garantía. (Algunos estados no permiten limitaciones en cuanto al período de duración de una garantía implícita, de manera que puede que la limitación anterior no sea aplicable en su caso.)

Ningún tipo de recuperación deberá ser superior al precio de compra del producto vendido, en ningún caso. La alteración de las características de seguridad del producto deberá anular esta Garantía. Usted adopta el riesgo y la obligación de la pérdida, daño o lesión en su persona o a su propiedad y/o la de otras personas y sus propiedades, que se origine a raíz del uso o mal uso, o la incompetencia para usar el producto.

Esta garantía limitada no deberá cubrir a ninguna otra persona distinta al comprador original, arrendatario original, o la persona para la cual se compró en calidad de regalo.

Relación de las leyes estatales con esta Garantía: Esta garantía le confiere derechos legales específicos, y puede que usted también tenga otros derechos, los cuales varían en cada estado.

Para localizar al distribuidor de servicio local más cercano, marque el número **1-866-206-2707** en EE.UU. o al **1-877-696-5533** en Canada.

REMINGTON LLC

P.O. Box 361032
Cleveland, OH 44136