



Features

- Bath and integral apron eliminates installation step.
- Above-floor-drain (AFD) rough-in.
- Durable high-gloss finish.
- 2" (51 mm) wainscot/tile ledge.
- 18-3/4" (476 mm) bath depth (floor to top of threshold).
- 60" (1524 mm) x 30" (762 mm) x 20-3/4" (527 mm) finished dimensions.

Material

- Compression molded from our exclusive solid Vikrell® material.



For complete listing of available colors, go to sterlingplumbing.com.

Codes/Standards

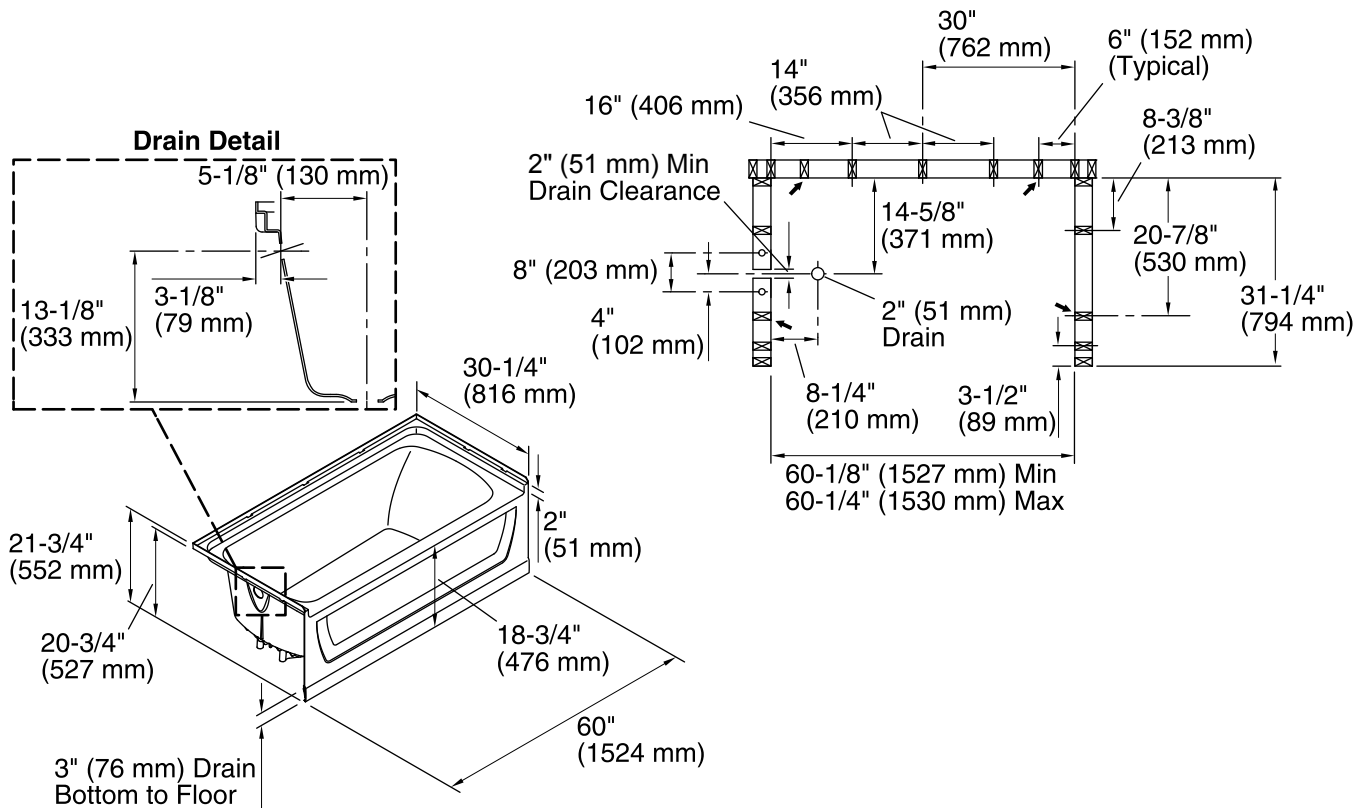
ASTM E162
ASTM E662
Greenguard UL 2818 - Gold
CSA B45.5/IAPMO Z124

Sterling Warranty - Fixtures Made of Solid Vikrell Material

See website for detailed warranty information.

Product Specification

The bath shall be 60" (1524 mm) in length, 30-1/4" (768 mm) in width, and 21-3/4" (552 mm) in height. Bath shall be made of Vikrell material with durable high-gloss finish. Bath shall have 18-3/4" (476 mm) bath depth (floor to top of threshold). Bath shall have integral apron, above-floor-drain (AFD) rough-in, and left drain. Bath shall be STERLING Model 71171112.



Technical Information

All measurements are nominal.

- Installation: Alcove with Flange
- Drain location: Left
- Basin area, bottom: 45" x 20" (1143 mm x 508 mm)
- Basin area, top: 53" x 23" (1346 mm x 584 mm)
- Water depth: 11-1/4" (286 mm)
- Water capacity: 44 gal (166.6 L)

Door width required: 57-11/16" (1465 mm)

Installation Notes

Measure your actual product for roughing-in details.

Install this product according to the installation guide.

Studs should be positioned roughly as shown.

Double studding is recommended for pivot shower door installations.