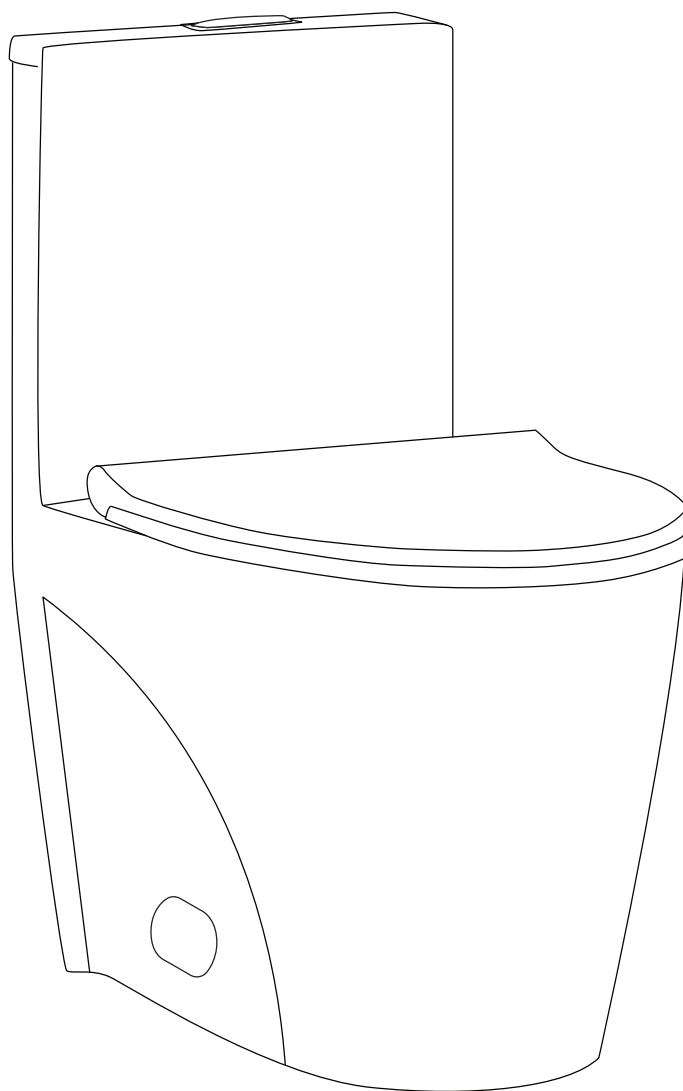


INSTALLATION INSTRUCTIONS

Swiss Madison[®]
well made forever

St. Tropez One-Piece Toilet

SM-1T254/SM-1T254MB



Share your pictures for a feature!
using **#SwissMadison**





Prior to Installation:

- Inspect toilet to ensure no damages have occurred while in shipping.
- Observe all plumbing and building codes in accordance with your state and local requirements.
- Remove old toilet.
- Make sure mounting surface is CLEAN and LEVEL.
- All dimensions are nominal! Be sure to measure your toilet prior to installation.

General Recommendations: Read installation and maintenance instructions thoroughly before installing.
Be sure to use proper tools and always wear proper personal safety accessories for your protection.

If you have any questions or concerns please contact us:

1-434-623-4766
info@swissmadison.com

Thank you for your purchase!

Thank you for purchasing a Swiss Madison One-Piece Toilet.

We appreciate your business and know you will enjoy your toilet for many years to come.

If you have any questions or require assistance we would be happy to help,
please contact us at 1-434-6234766 or info@swissmadison.com.

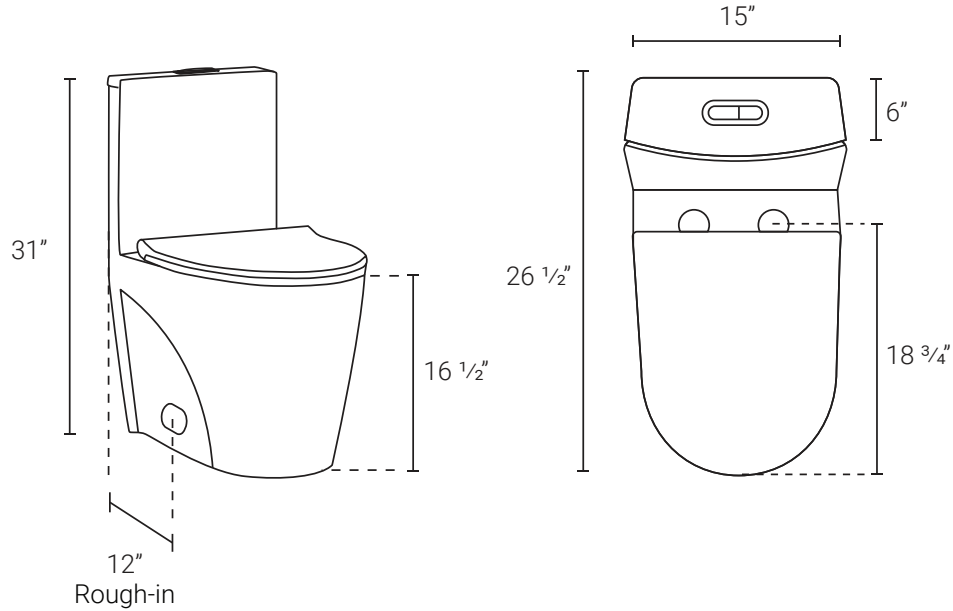
To learn more about our products, please visit:

www.swissmadison.com

Sincerely,

The Swiss Madison Team

NOTE: Distance from wall to closest flange centerline must be listed as below.



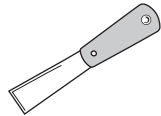
St. Tropez
26 1/2" x 15" x 31"

SM-1T254 - White
 SM-1T254MB - Matte Black

SUGGESTED TOOLS AND MATERIALS



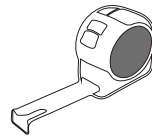
Safety Glasses



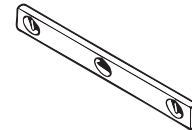
Putty Knife



Wrench



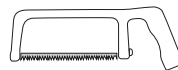
Tape Measure



Level



Flexible Supply Tube



Hacksaw



Screwdriver

PARTS LIST

- One-Piece Toilet
- Wax Ring/ Gasket
- Bolts
- Side Cover Caps

NOTE: Specialized tools may be necessary to install a Swiss Madison One-Piece Toilet, plumbing not included.

The step-by-step guidelines in the installation instructions are a general reference.
Should there be any discrepancies, Swiss Madison cannot be held liable.
It is recommended to install all Swiss Madison products by hiring a licensed professional

1. Read the complete instruction manual before beginning installation.
2. Confirm that your model will fit in intended location and plumbing fixtures are located where legally required before beginning installation.
3. Not all drawings on this manual are drawn to scale. Please refer to the model chart.
4. Two people are recommended to install and move this product.
5. Product is FRAGILE! To avoid breakage and possible injury handle with care.

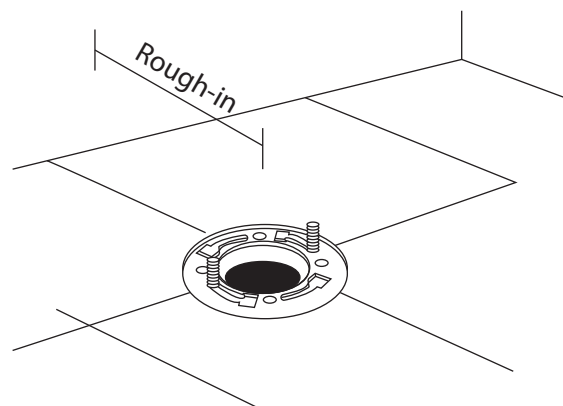
1. Remove Old Toilet

- Close toilet supply valve and flush tank completely, use towel or sponge to remove excess water.
- Disconnect and remove supply line, if you are replacing the valve shut off the main water supply first.
- Remove old mounting hardware, remove toilet and plug floor waste opening to prevent escaping gas.
- Remove closet bolts from flange and clean away old wax and putty from base area.

2. Rough-In the Toilet

- Using the measurements on the previous page, find the toilet's rough-in.
- Measure the wall from behind the toilet to the middle of the closet bolt.

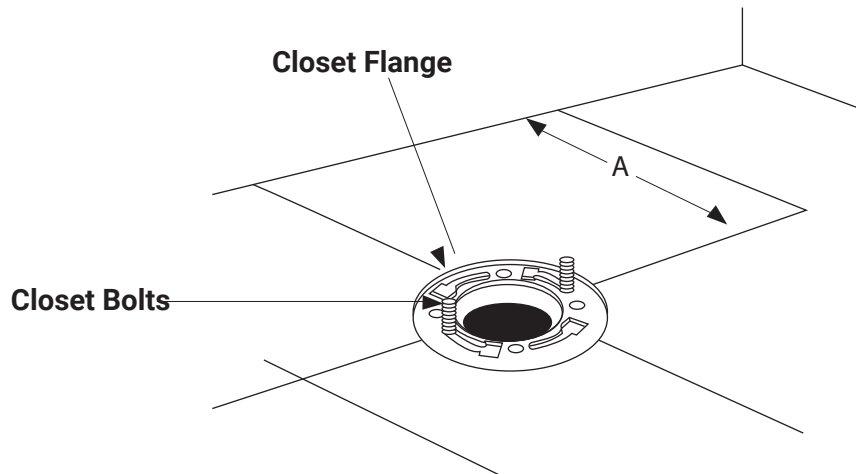
NOTE: Your rough-in measurement should be around 12".



NOTE: Drawings may not exactly define contour of china.

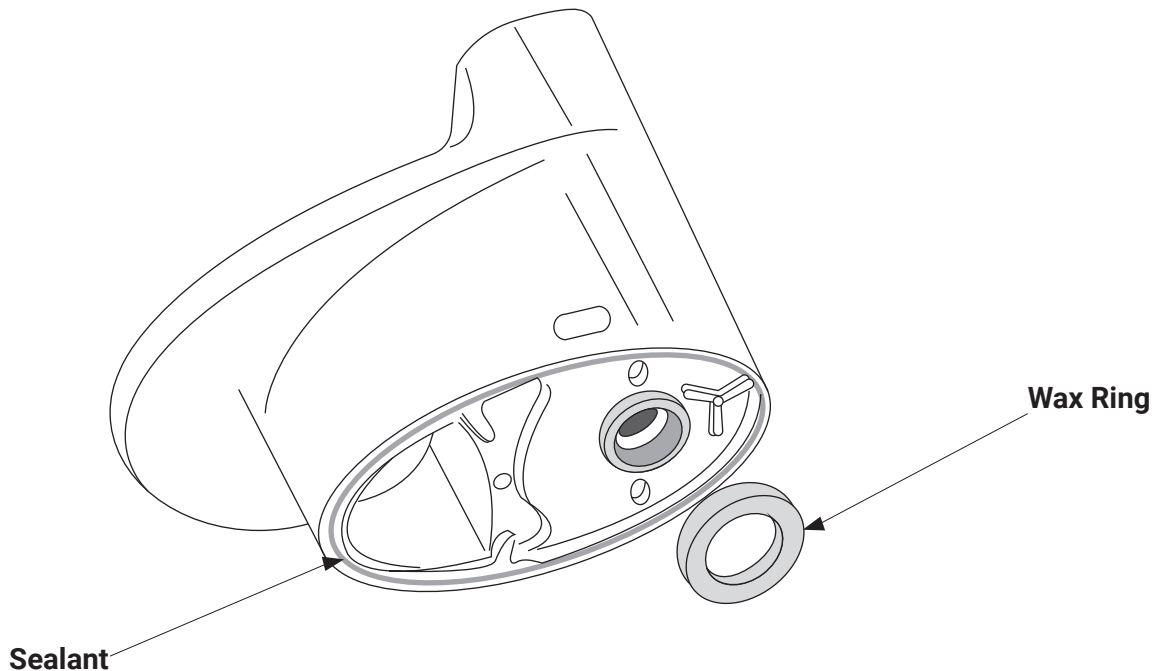
3. Install Closet Bolts

- Install closet bolts to flange channel, turn 90° and slide into place 6" (152mm) apart and parallel to wall.



4. Install Wax Seal

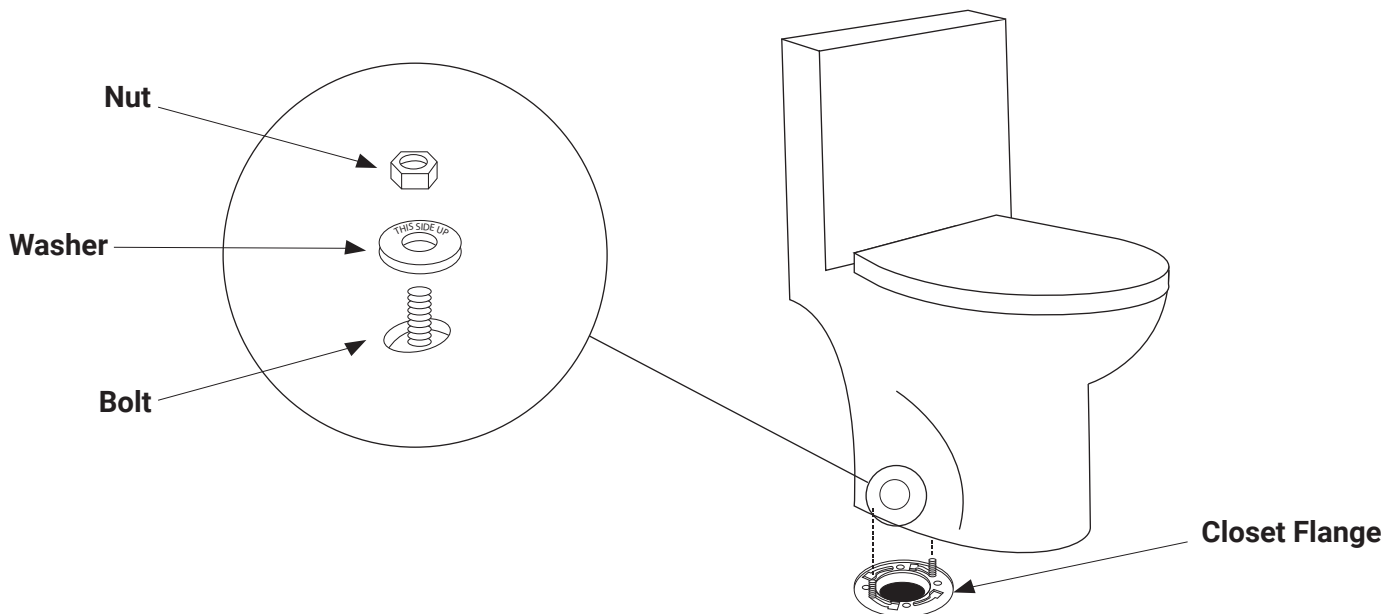
- Invert toilet on floor (use cushion to prevent damage), and install wax ring evenly around waste flange with tapered end of ring facing toilet. Apply a thin bead of sealant around toilet base.



NOTE: Drawings may not exactly define contour of china.

5. Position Toilet on Flange

- Unplug floor waste opening and install toilet on closet flange so bolts project through mounting holes.
- Loosely install retainer washers and nuts. Side of washers marked "THIS SIDE UP" must face up!

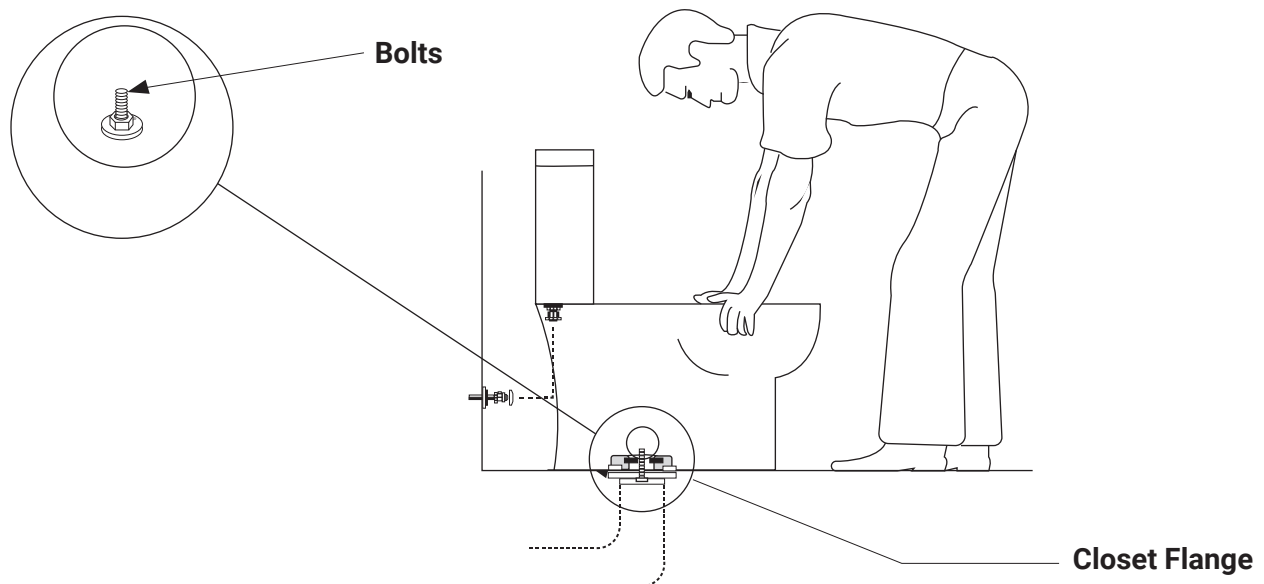


6. Install Toilet

- Position toilet square to wall and, with a rocking motion, press bowl down fully on wax ring and flange. Alternately tighten nuts until toilet is firmly sealed to floor.

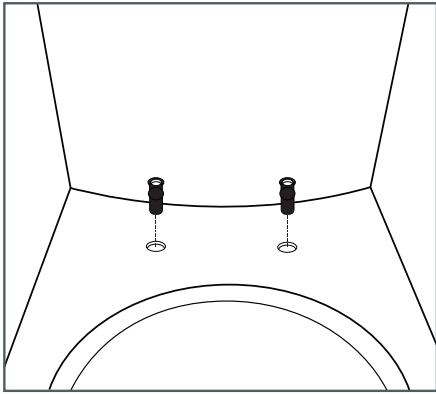
NOTE: Do NOT over-tighten nuts as it might crack the ceramic!

- Adhere bolt covers to toilet.
- Smooth off the bead of sealant around the base. Remove excess sealant.

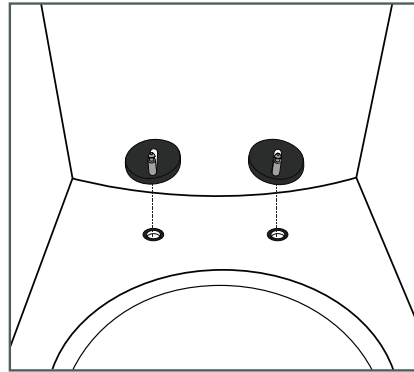


NOTE: Drawings may not exactly define contour of china.

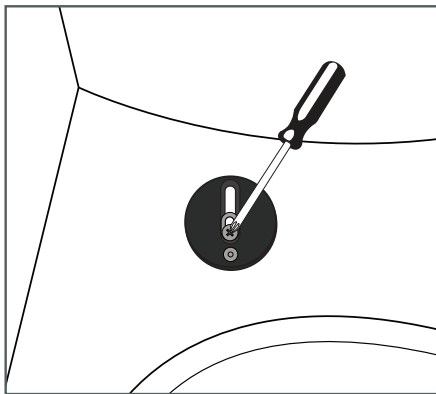
7. Install Toilet Seat



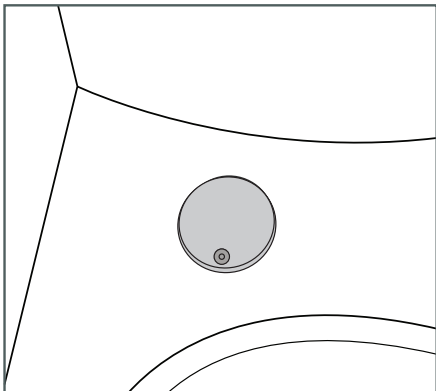
Insert threaded rubber piece into holes on top of toilet.



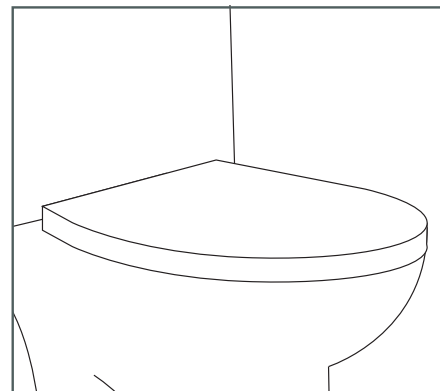
Place seat hardware over where you inserted the threaded rubber pieces.



Place washer onto screw then thread screw through seat hardware into the rubber piece. Before you fully screw in hardware, be sure to test position by placing the seat on top and making adjustments if needed.



Add cover caps over top of seat hardware.



Pop on your quick-release seat.

NOTE: Drawings may not exactly define contour of china.



1-434-MADISON

(623-4766)

19 Stults Road

Dayton, NJ 08810

www.swissmadison.com

ONE YEAR LIMITED WARRANTY

Swiss Madison® products are made with quality materials and excellent craftsmanship to provide our customers with beautiful, durable, long-lasting products. Should there be any defects in materials or craftsmanship under regular use that are discovered within the first year of installation, Swiss Madison® will provide replacement parts at no charge, or at its discretion, replace any product or part of the product that is deemed defective, under normal installation, use, service or maintenance. This warranty applies only to the original purchaser. Proof of purchase will be required in the instance of a claim.

Swiss Madison® recommends all installations of Swiss Madison® products to be conducted by a licensed, professional plumber or contractor. Swiss Madison® will not be held responsible for any damage or product failure due to improper installation, misuse, or failure to utilize a licensed professional for installation. Swiss Madison® is not responsible for any installation or removal costs.

This One Year Limited Warranty Will Be Voided If:

- The installation recommendations were not followed by the installer
- The product has been moved from its initial place of installation
- The product has in any way been modified from its packaged state
- The product has been subjected to improper maintenance, abuse, misuse, excessive use of chemicals, accidents, or other damages, etc.

Swiss Madison® makes no implication that its products comply with any local building or plumbing codes. It is the consumer's responsibility and obligation to determine local code compliance prior to and during installation. This warranty extends only to the original purchaser and first consumer.

Swiss Madison® is not responsible for any special, incidental or consequential damages associated with the installation, replacement, return or use of the original purchaser's product. This includes, but is not limited to: freight costs, labor, travel time, lost profit, home damages and other contingent liabilities and costs (including, without limitation, costs associated with 'professionals' or 'experts', investigations, audits, analyses, attorneys and any other professional/hired services).

The Swiss Madison® warranty is a comprehensive and explicit limit of liability. All items not disclosed within the warranty are not addressable within the responsibility of Swiss Madison®. Certain states have variances regarding implied warranties; in those situations, we remain fully compliant.

**If you have any questions or concerns, please contact us directly at
1-434-MADISON (623-4766)**

WARNING: Contents of your order may contain sharp and possibly other harmful pieces and may cause hazard to children and adults. Swiss Madison® is not responsible in any way for personal damages.