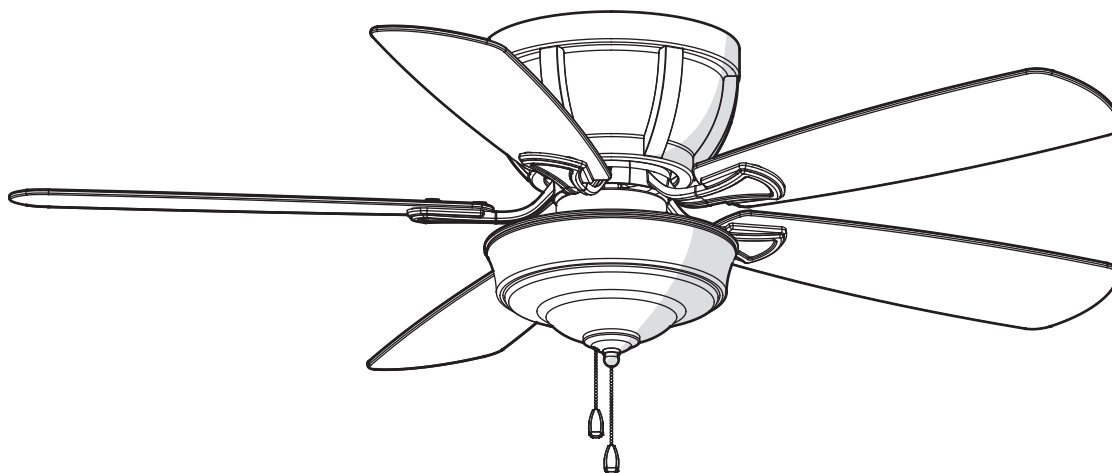


USE AND CARE GUIDE

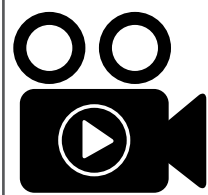
COSTNER 52-INCH CEILING FAN



Questions, problems, missing parts? Before returning to the store,
call Home Decorators Collection Customer Service
8 a.m. - 6 p.m., EST, Monday-Friday.

1-800-986-3460

HOMEDEPOT.COM/HOMEDECORATORS



To view an instructional video on how to install this product:

1. Go to www.homedepot.com and enter either the Item or Model number, found in the top right corner of the cover of this instruction manual, in the search field.
2. Click on your product from the list of search results and click on the video link in the "Product Overview" section.

THANK YOU

We appreciate the trust and confidence you have placed in Home Decorators Collection through the purchase of this ceiling fan. We strive to continually create quality products designed to enhance your home. Visit us online to see our full line of products available for your home improvement needs. Thank you for choosing Home Decorators Collection!

Table of Contents

Table of Contents	2	Assembly	7
Safety Information	2	Operation	11
Warranty	3	Care and Cleaning	12
Pre-Installation	3	Troubleshooting	12
Installation.....	6		

Safety Information

READ AND SAVE THESE INSTRUCTIONS.

1. To reduce the risk of electric shock, ensure the electricity has been turned off at the circuit breaker or fuse box before you begin.
2. All wiring must be in accordance with the National Electrical Code ANSI/NFPA 70 and local electrical codes. Electrical installation should be performed by a qualified licensed electrician.
3. The outlet box and support structure must be securely mounted and capable of reliably supporting 35 lbs. (15.9 kg). Use only UL Listed outlet boxes marked "Acceptable for Fan Support of 35 lbs. (15.9 kg) or less."
4. The fan must be mounted with a minimum of 7 ft (2.1 m) clearance from the trailing edge of the blades to the floor.
5. Do not operate the reversing switch while the fan blades are in motion. You must turn the fan off and stop the blades before you reverse the blade direction.
6. Do not place objects in the path of the blades.
7. To avoid personal injury or damage to the fan and other items, use caution when working around or cleaning the fan.
8. Electrical diagrams are for reference only. Light kits that are not packed with the fan must be UL listed and marked suitable for use with the model fan you are installing. Switches must be UL General Use Switches. Refer to the instructions packaged with the light kits and switches for proper assembly.
9. After making electrical connections, spliced conductors should be turned upward and pushed carefully up into the outlet box. The wires should be spread apart with the grounded conductor and the equipment-grounding conductor on one side of the outlet box.
10. All setscrews must be checked and retightened where necessary before installation.



WARNING: To reduce the risk of personal injury, do not bend the blade brackets (also referred to as flanges) during assembly or after installation. Do not insert objects in the path of the blades.



WARNING: To reduce the risk of fire or electric shock, do not use this fan with any solid-state speed control device.



WARNING: To reduce the risk of fire, electric shock or personal injury, mount to outlet box marked "Acceptable for fan support of 35 lbs. (15.9 kg) or less", and use screws provided with the outlet box.



WARNING: To avoid possible electrical shock, turn the electricity off at the main fuse box before wiring. If you feel you do not have enough electrical wiring knowledge or experience, contact a licensed electrician.



WARNING: Electrical diagrams are for reference only. Optional use of any light kit shall be UL-listed and marked suitable for use with this fan.



CAUTION: To reduce the risk of personal injury, use only the screws provided with the outlet box.



CAUTION: To avoid personal injury or damage to the fan and other items, use caution when working around or cleaning the fan.

Warranty

The supplier warrants the fan motor to be free from defects in workmanship and material present at time of shipment from the factory for a lifetime after the date of purchase by the original purchaser. The supplier also warrants that all other fan parts, excluding any glass or acrylic blades, to be free from defects in workmanship and material at the time of shipment from the factory for a period of two years after the date of purchase by the original purchaser. We agree to correct such defects without charge or at our option replace with a comparable or superior model if the product is returned. To obtain warranty service, you must present a copy of the receipt as proof of purchase. All costs of removing and reinstalling the product are your responsibility. Damage to any part such as by accident, misuse, improper installation, or by affixing any accessories, is not covered by this warranty. Because of varying climatic conditions this warranty does not cover any changes in brass finish, including rusting, pitting, corroding, tarnishing, or peeling. Brass finishes of this type give their longest useful life when protected from varying weather conditions. A certain amount of "wobble" is normal and should not be considered a defect. Servicing performed by unauthorized persons shall render the warranty invalid. There is no other express warranty. Home Decorators Collection hereby disclaims any and all warranties, including but not limited to those of merchantability and fitness for a particular purpose to the extent permitted by law. The duration of any implied warranty which cannot be disclaimed is limited to the time period as specified in the express warranty. Some states do not allow a limitation on how long an implied warranty lasts, so the above limitation may not apply to you. The retailer shall not be liable for incidental, consequential, or special damages arising out of or in connection with product use or performance except as may otherwise be accorded by law. Some states do not allow the exclusion of incidental or consequential damages, so the above exclusion or limitation may not apply to you. This warranty gives specific legal rights, and you may also have other rights which vary from state to state. This warranty supersedes all prior warranties. Shipping costs for any return of product as part of a claim on the warranty must be paid by the customer.

Contact the Customer Service Team at 1-800-986-3460 or visit www.HomeDepot.com/homedecorators.

Pre-Installation

SPECIFICATIONS

Size	Speed	Volts	Amps	Watts	RPM	CFM	Net Weight	Gross Weight	Cube Feet
52 in.	Low	120	0.2	10	60	1126	19.84 lbs. (9 kg)	23.37 (10.6 kg)	1.92 cu.ft.
	Medium		0.39	35	130	2878			
	High		0.48	57	165	3826			



NOTE: These are approximate measures. They do not include the amps and wattage used by the light kit.



TOOLS REQUIRED



Phillips
screwdriver



Flat blade
screwdriver



Adjustable
wrench



Electrical
tape




Wire
cutter



Step ladder

Pre-Installation (continued)

HARDWARE INCLUDED

 NOTE: Hardware not shown to actual size.



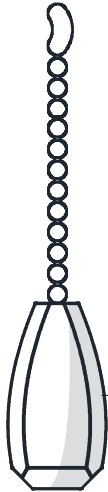
AA



BB



CC



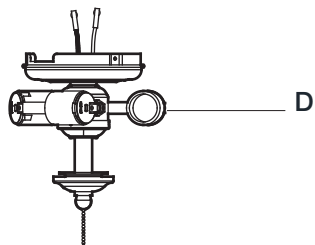
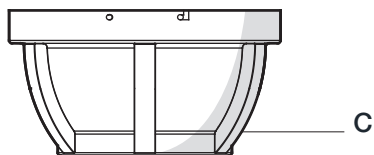
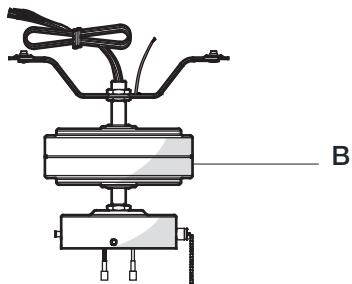
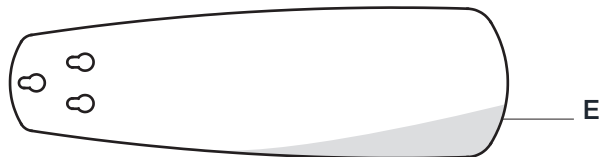
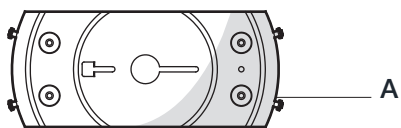
DD

Part	Description	Quantity
AA	Plastic wire connector	3
BB	Extra blade bracket hardware (screw and lockwasher)	1

Part	Description	Quantity
CC	Plastic plug	1
DD	Pull chain	2

Pre-Installation (continued)

PACKAGE CONTENTS



Part	Description	Quantity
A	Mounting plate	1
B	Fan-motor assembly	1
C	Motor housing	1
D	Light kit fitter assembly	1

Part	Description	Quantity
E	Blade	5
F	Blade bracket with pre-installed screws	5
G	Glass bowl with trim ring	1
H	LED bulbs, 9.5-Watt maximum	3



IMPORTANT: This product and/or components are governed by one or more of the following U.S. Patents: 5,947,436; 5,988,580; 6,010,110; 6,046,416, 6,210,117 and other patents pending.

Installation

MOUNTING OPTIONS

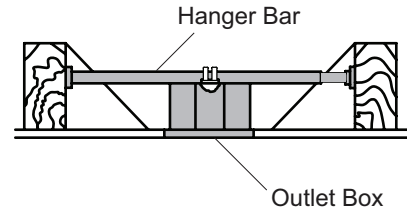


WARNING: To reduce the risk of fire, electric shock or personal injury, mount to outlet box marked "Acceptable for fan support of 35 lbs. (15.9 kg) or less", and use screws provided with the outlet box. An outlet box commonly used for the support of lighting fixtures may not be acceptable for fan support and may need to be replaced. If in doubt, consult a qualified electrician.

If your ceiling fan does not have an existing UL-listed mounting box, then install one using the following instructions:

- Disconnect the power by removing the fuses or turning off the circuit breakers.
- Secure the outlet box directly to the building structure. Use the appropriate fasteners and materials. The outlet box and support structure must be securely mounted and capable of reliably supporting 35 lbs. (15.9 kg). Use only UL Listed outlet boxes marked "Acceptable for Fan Support of 35 lbs. (15.9 kg) or less." Do not use a plastic outlet box.

The illustrations below show two different ways to mount the outlet box.



To hang your fan where there is an existing fixture but no ceiling joist, you may need an installation hanger bar as shown above (available at any Home Depot store).

Assembly - Hanging the Fan

1 Attaching the fan to the electrical box

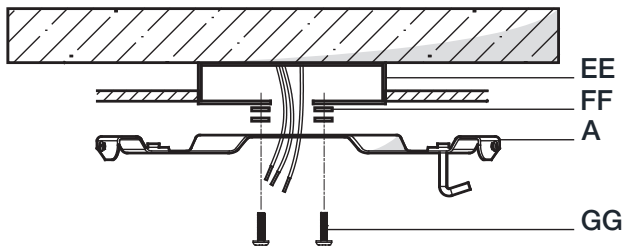


WARNING: To avoid possible electrical shock, turn the electricity off at the main fuse box before wiring. If you feel you do not have enough electrical wiring knowledge or experience, contact a licensed electrician.



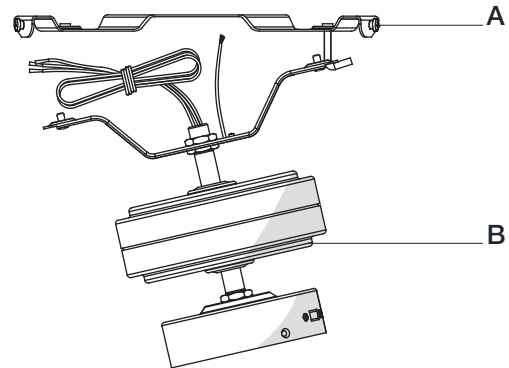
NOTE: For better fan performance, make sure the mounting plate is level. Additional washers (FF) (not included) may be needed to insert between the outlet box and mounting plate.

- Turn the power off.
- Securely attach the mounting plate (A) to the outlet box (EE) using the two screws (GG) supplied with the outlet box (EE). Pull the 120-volt supply wires (the black, white and ground wires) out of the outlet box (EE) and through the hole in the mounting plate (A) and lay them to the side.

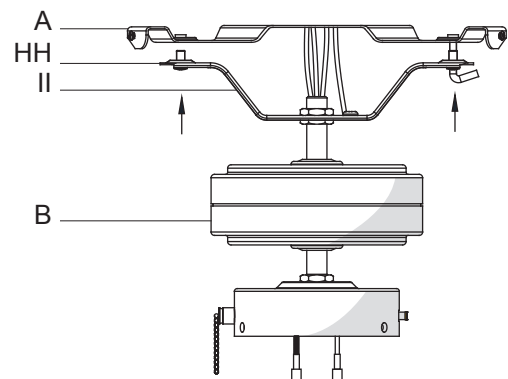


2 Hanging the fan-motor assembly

- Carefully lift the fan-motor assembly (B) and engage the slot in the motor bracket on the top of the fan-motor assembly (B) with the hook on the mounting plate (A) so that it is securely suspended. Then connect the wiring to your fan according to step 3 "Making the Electrical Connections".



- Once the wiring is completed, lift the fan-motor assembly (B).
- Align the holes in the mounting plate (A) with the pre-attached screws (HH) on the motor bracket (II).
- Securely tighten the screws (HH).



Assembly - Hanging the Fan (continued)

3 Making the electrical connection

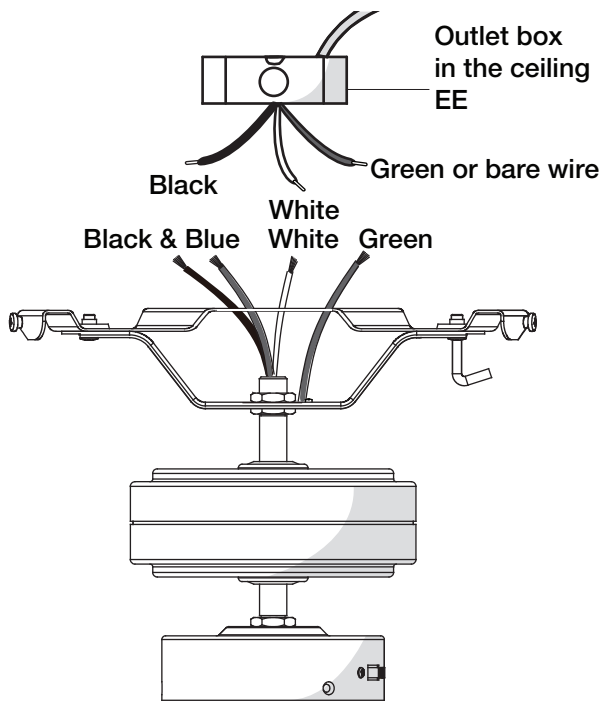


WARNING: Each wire nut supplied with this fan is designed to accept up to one 12-gauge house wire and two wires from the fan. If you have larger than 12-gauge house wiring or more than one house wire to connect to the fan wiring, consult an electrician for the proper size wire nuts to use.



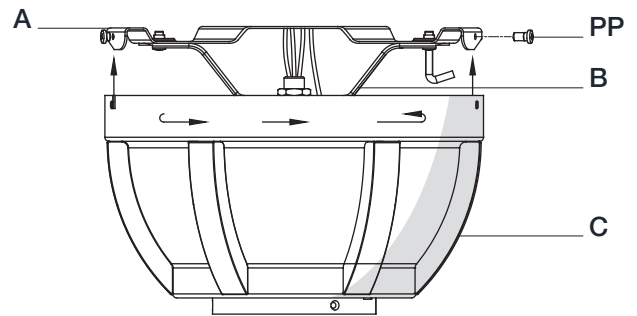
IMPORTANT: Use the plastic wire connectors (AA) supplied with your fan. Secure the connectors with electrical tape and ensure there are no loose strands or connections.

- Connect the fan motor green wires to the household green or bare wire using a wire connecting nut (AA).
- Connect the fan motor white wire to the household white wire using a wire connecting nut (AA).
- Connect the fan motor black and blue wires to the household black wire using a wire connecting nut (AA).
- Secure each wire connecting nut using electrical tape.
- Turn the wire connecting nut (AA) upward and push the wiring into the outlet box (EE).



4 Completing the fan assembly

- Remove two of the four screws (located diagonally from each other) (PP) from the top of the mounting plate (A) and loosen the other two screws (PP).
- Align the two key slots in the top of the motor housing (C) with the two loose screws (PP) on the mounting plate (A). Push the motor housing (C) up and turn it clockwise to lock in the mounting plate (A). Tighten the two screws.
- Install the two screws that were removed at the beginning of this step into the remaining two holes and tighten the four screws firmly.



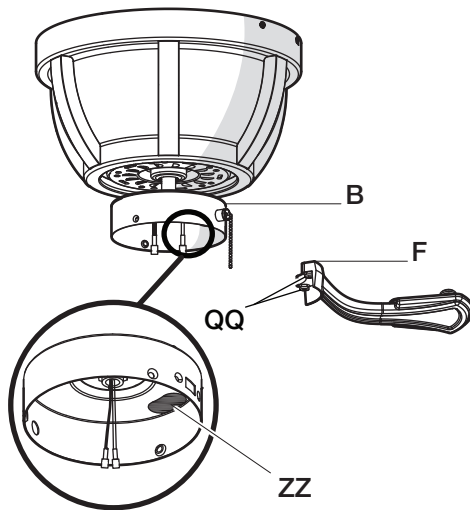
Assembly - Attaching the Fan Blades and Brackets

5 Fastening the blade brackets to the motor



IMPORTANT: The switch cup has an access hole (ZZ) to allow the screwdriver to reach the screws in the blade bracket. Position the blade bracket on the motor and tighten by inserting the screwdriver through the access hole (ZZ).

- Fasten the blade brackets (F) to the fan-motor assembly (B) by inserting the alignment post into the slot on the bottom of the motor and tightening the pre-installed blade bracket screws (QQ) by inserting a screw driver through the access hole (ZZ).
- Repeat this step for the remaining blade assemblies by rotating the motor until the next blade bracket screw can be accessed through the access hole (ZZ) in the switch cup.

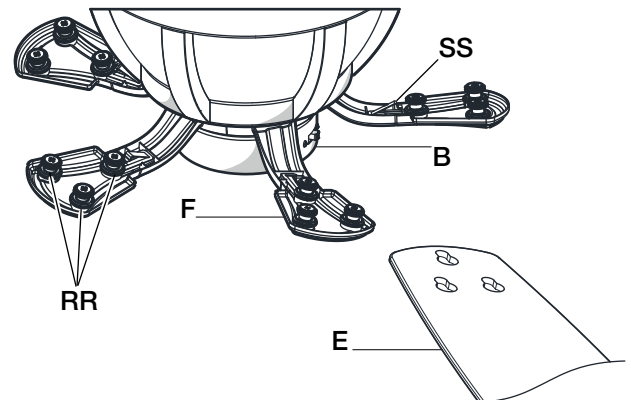


6 Attaching the blades to the blade brackets



NOTE: Your fan blades are reversible. Select the blade side finish which best accentuates your decor.

- Mount the fan blade (E) to the blade bracket (F) by aligning the three key-slot holes in the blade (E) with the three posts (RR) on the top of the blade bracket (F).
- Hold the blade (E) with both hands close to the blade bracket (F) down firmly. Ensure the key-slot holes are properly seated on the blade bracket posts (RR).
- While still holding the blade (E) down with both hands, firmly slide the blade (E) until it engages in the locking mechanism (SS). Make sure the locking mechanism (SS) at the rear of the blade bracket (F) springs upward and butts against the edge of the blade (E), indicating a secure connection.
- Visually inspect the top of the blade bracket (F) to ensure the locking mechanism (SS) is securely in place.
- Repeat this procedure for the remaining blades (E).



Assembly - Attaching the Light Kit Fitter Assembly

7 Attaching the light kit fitter assembly

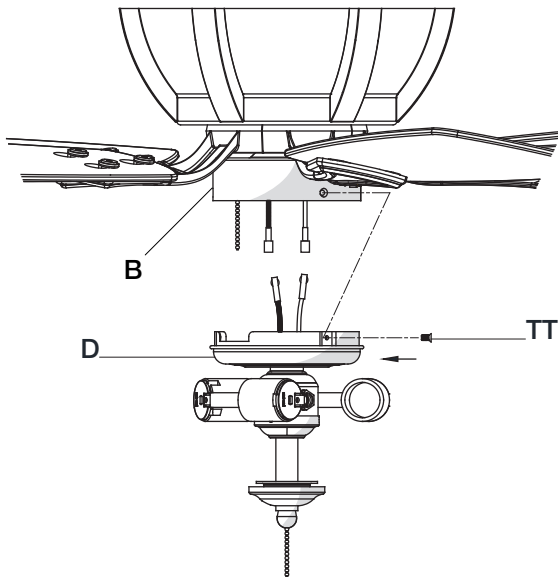


CAUTION: To reduce the risk of electric shock, disconnect the electrical supply circuit to the fan before installing the light kit.



NOTE: Notice the location of the fan's slide switch. This is the switch used to change the fan's directional rotation. For more information on the operation of this switch, see Operating your fan on page 11.

- Remove the three screws (TT) on the switch cup over of the light kit fitter assembly (D).
- Connect the wires from the light kit fitter assembly (D) by connecting the molded adaptor plugs together (blue to black, white to white). Carefully tuck all wires and splices into the switch cup.
- Align the three holes in the switch cup cover of the light kit fitter assembly (D) with the three holes in the switch cup of the fan-motor assembly (B). Make sure the notch in the switch cup cover of the light kit fitter assembly (D) clears the slide switch in the switch cup of the fan-motor assembly (D). Position the light kit fitter assembly (D) and re-install the three screws (TT) that were removed in the first step to secure the light kit fitter assembly (D).



8 Installing the glass bowl and bulbs



WARNING: Allow the glass shades to cool completely before removing.

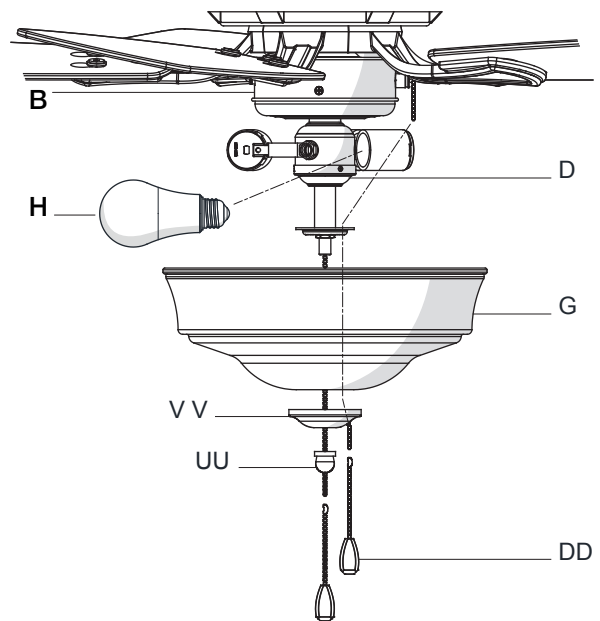


CAUTION: Do not over tighten the hex nut, overtightening the hex nut may cause the glass to break.



CAUTION: Make sure the power is off before attaching or removing the glass shades.

- Remove the finial (UU) and the bottom cover (V V) from the threaded nipple of the light fitter assembly (D).
- With the power off, install the three LED bulbs (9.5W max) (H) by screwing them into the light bulb sockets.
- Position the glass bowl (G), and direct the fan pull chain through the side hole of the bottom cover.
- Direct the light pull chain through the hole in the bottom cover (V V) and finial (UU) guide them over the threaded nipple, and tighten the finial (UU) securely.
- Attach the pull chain extensions (DD) provided to the light pull chain and fan pull chain.



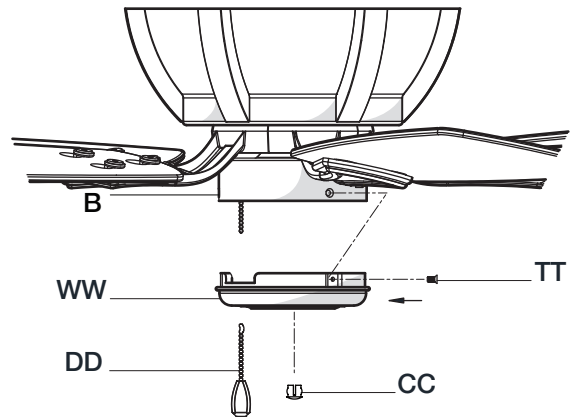
Assembly - Assembling the Fan Without the Light Kit

7 Attaching the light kit fitter assembly



CAUTION: To reduce the risk of electric shock, disconnect the electrical supply circuit to the fan before installing the light kit.

- In order to use the fan without light kit, remove the switch cup cover (WW) from the top of the light kit fitter assembly (D) by removing the center hex nut inside the switch cup cover (WW) off of the threaded nipple on the top of the light kit fitter assembly (D).
- Press the plastic plug (CC) into the center hole of the switch cup cover (WW).
- Remove the three screws (TT) on the switch cup cover (WW).
- Align the three holes in the switch cup cover (WW) with the three holes in the switch cup of the fan-motor assembly (B). Make sure the notch in the switch cup cover (WW) clears the slide switch in the switch cup of the fan-motor assembly (B).
- Re-install the three screws (TT) that were removed in first step to secure the switch cup cover (WW).



Operation



NOTE: Wait for the fan to stop before reversing the direction of the blade rotation.

Turn on the power and check the operation of the fan. The pull chain controls the fan speeds as follows:

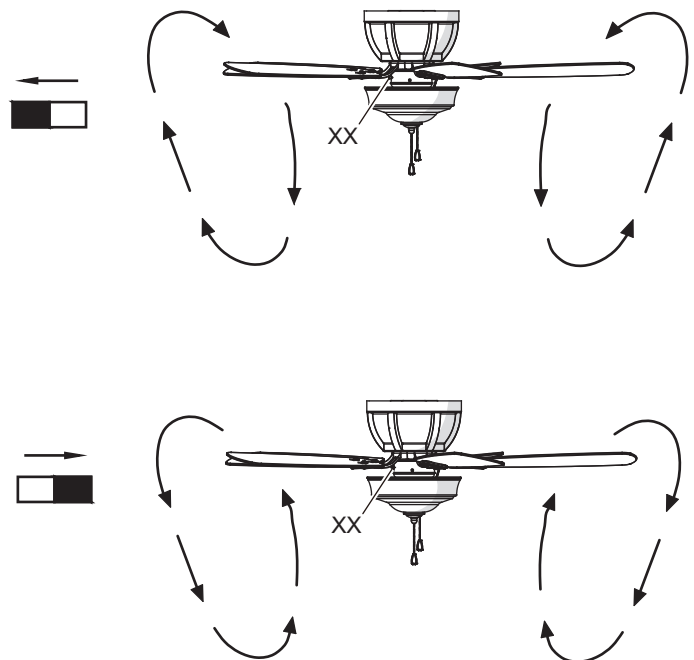
1 pull - High, 2 pulls - Medium-High, 3 pulls Medium-Low, 4 pulls Low, 5 pulls - off

The appropriate speed settings for warm or cool weather depends on factors such as the room size, ceiling height, and number of fans.

The slide switch (XX) controls the direction of the blades: forward (switch left) or reverse (switch right)

Warm weather - (Forward) A downward airflow creates a cooling effect. This allows you to set your air conditioner on a warmer setting without affecting your comfort.

Cool weather - (Reverse) An upward airflow moves warm air off of the ceiling. This allows you to set your heating unit on a cooler setting without affecting your comfort.



Care and Cleaning



WARNING: Make sure the power is off before cleaning your fan.

- Because of the fan's natural movement, some connections may become loose. Check the support connections, brackets, and blade attachments twice a year. Make sure they are secure. It is not necessary to remove the fan from the ceiling.
- Clean your fan periodically to help maintain its new appearance over the years. Do not use water when cleaning, as this could damage the motor, or the wood, or possibly cause an electrical shock. Use only a soft brush or lint-free cloth to avoid scratching the finish. The plating is sealed with a lacquer to minimize discoloration or tarnishing.
- You can apply a light coat of furniture polish to the wood for additional protection and enhanced beauty. Cover small scratches with a light application of shoe polish.
- You do not need to oil your fan. The motor has permanently-lubricated sealed ball bearings.

Troubleshooting

Problem	Solution
The fan will not start.	<ul style="list-style-type: none">□ Check the main and branch circuit fuses or breakers.□ Check the line wire connections to the fan and switch wire connections in the switch housing.
The fan is noisy.	<ul style="list-style-type: none">□ Ensure all motor housing screws are snug.□ Ensure the screws that attach the fan blade bracket to the motor hub are tight.□ Ensure the wire nut connections are not rattling against each other or the interior wall of the switch housing.□ Allow a 24-hour "breaking in" period. Most noises associated with a new fan disappear during this time.□ Ensure your outlet box is secure and rubber isolator pads were used between the mounting plate and outlet box.
The fan wobbles.	<ul style="list-style-type: none">□ Check that all blade and blade arm screws are secure.□ Most fan wobble problems are caused when blade levels are unequal. Check this level by selecting a point on the ceiling above the tip of one of the blades. Measure from a point on the center of the blade to the point on the ceiling. Rotate the fan until the next blade is positioned for measurement, and measure from the same point on each blade to the ceiling. Repeat for each blade. Any measurement deviation should be within 1/8 in. Run the fan for ten minutes.

HOME DECORATORS COLLECTION

Questions, problems, missing parts? Before returning to the store,
call Home Depot Customer Service
8 a.m. - 6 p.m., EST, Monday-Friday

1-800-986-3460

HOMEDEPOT.COM/HOMEDECORATORS

Retain this manual for future use.

This equipment has been tested and found to comply with the limits for a Class B digital device, pursuant to Part 15 of the FCC Rules. These limits are designed to provide reasonable protection against harmful interference in a residential installation. This equipment generates, uses and can radiate radio frequency energy and, if not installed and used in accordance with the instructions, may cause harmful interference to radio communications. However, there is no guarantee that interference will not occur in a particular installation. If this equipment does cause harmful interference to radio or television reception, which can be determined by turning the equipment off and on, the user is encouraged to try to correct the interference by one or more of the following measures:

- Reorient or relocate the receiving antenna.
- Increase the separation between the equipment and receiver.
- Connect the equipment into an outlet on a circuit different from that to which the receiver is connected.
- Consult the dealer or an experienced radio/TV technician for help.

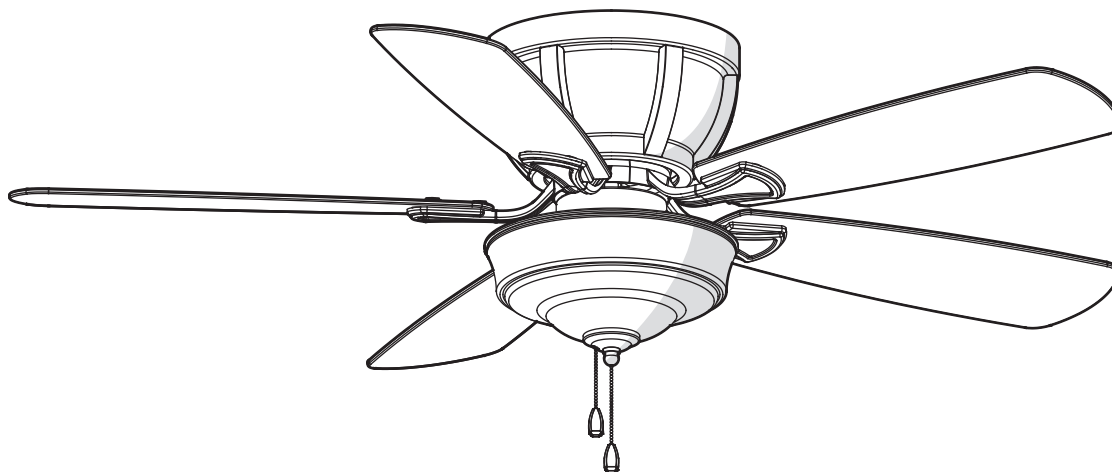
CAUTION:

Any changes or modifications not expressly approved by the grantee of this device could void the user's authority to operate the equipment.

This device complies with Part 15 of the FCC Rules. Operation is subject to the following two conditions: (1) This device may not cause harmful interference, and (2) this device must accept any interference received, including interference that may cause undesired operation.

GUÍA DE USO Y MANTENIMIENTO

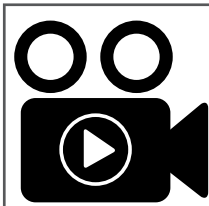
VENTILADOR DE TECHO COSTNER DE 1.32 M



¿Preguntas, problemas o piezas faltantes? Antes de regresar a la tienda, llama al servicio al cliente de Home Decorators Collection de lunes a viernes entre 8 a.m. y 6 p.m. (hora estándar del Este).

1-800-986-3460

HOMEDEPOT.COM/HOMEDECORATORS



Para ver un video instructivo sobre cómo instalar este producto:

1. Ir a www.homedepot.com e introduzca el artículo o el número de modelo, que se encuentra en la part superior esquina derecha de la portada de este manual de instrucciones, en el campo de búsqueda.
2. Haga clic en su producto de la lista de resultados de búsqueda y hacer clic en el enlace del video en el la sección "Descripción del producto".

GRACIAS POR TU COMPRA

Apreciamos la confianza que has depositado en Home Decorators Collection al comprar este ventilador de techo. Nos esforzamos para continuamente crear productos de calidad diseñados para mejorar tu hogar. Visítanos por Internet para ver nuestra línea completa de productos disponibles para las necesidades de mejoras de tu hogar. ¡Gracias por elegir Home Decorators Collection!

Tabla de contenido

Tabla de contenido	2	Ensamblaje.....	7
Información de seguridad.....	2	Funcionamiento	11
Garantía	3	Mantenimiento y limpieza.....	12
Preinstalación	3	Solución de problemas	12
Instalación.....	6		

Información de seguridad

LEE Y GUARDA ESTAS INSTRUCCIONES.

1. Para disminuir el riesgo de descarga eléctrica, asegúrate de cortar la electricidad del cortacircuitos o la caja de fusibles antes de comenzar.
2. Todo el cableado debe cumplir con el Código Nacional de Electricidad ANSI/NFPA 70 y con los códigos locales de electricidad. La instalación eléctrica debe ser hecha por un electricista certificado y calificado.
3. La caja eléctrica y la estructura de soporte deben montarse de forma segura y tener capacidad para sostener de manera confiable 15.9 kg. Usa solamente cajas eléctricas aprobadas por UL marcadas como “apropiada para sostener ventiladores de 15.9 kg o menos”.
4. El ventilador debe ir montado con un mínimo de 2.1 m de separación entre el borde trasero de las aspas y el piso.
5. No muevas el interruptor de reversa mientras las aspas del ventilador estén en movimiento. Debes apagar y detener las aspas antes de dar reversa a la dirección de estas.
6. No coloques objetos en la trayectoria de las aspas.
7. Para evitar lesiones físicas o daños al ventilador y otros artículos, ten cuidado al limpiar el ventilador o al trabajar cerca de él.
8. Los diagramas eléctricos son solo para referencia. Los juegos de luces no incluidos con el ventilador deben estar aprobados por UL y marcados como apropiados para ser usados con el modelo de ventilador a instalar. Los interruptores deberán estar clasificados por UL como de uso general. Consulta las instrucciones adjuntas a los kits de luces e interruptores para obtener información sobre el ensamblaje adecuado.
9. Después de concluir las conexiones eléctricas, debes voltear los conductores empalmados hacia arriba y meterlos con cuidado en la caja eléctrica. Los cables deben estar separados con el cable a tierra y el conductor a tierra del equipo hacia uno de los lados de la caja eléctrica.
10. Todos los tornillos de fijación deben ser verificados y ajustados donde sea necesario antes de la instalación.



ADVERTENCIA: Para reducir el riesgo de lesiones personales, no dobles los soportes de las aspas (también llamados “bridas”) durante el ensamblaje ni después de la instalación. No coloques objetos en la trayectoria de las aspas.



ADVERTENCIA: Para disminuir el riesgo de incendio o descarga eléctrica, no utilices este ventilador con ningún dispositivo de control de velocidad de estado sólido.



ADVERTENCIA: Para reducir el riesgo de incendio, descarga eléctrica o lesiones personales, instala solo en una caja eléctrica clasificada como “apropiada para sostener ventiladores de 15.9 kg o menos” y usa los tornillos que vienen con esta.



ADVERTENCIA: Para evitar una posible descarga eléctrica, corta la energía eléctrica en la caja principal de fusibles antes de instalar el cableado. Si crees que no tienes suficiente experiencia o conocimientos sobre cableado eléctrico, contrata a un electricista certificado.



ADVERTENCIA: Los diagramas eléctricos son solamente para referencia. Cualquier juego de luces opcional debe estar aprobado por UL y marcado como adecuado para ser usado con este ventilador.



PRECAUCIÓN: Para reducir el riesgo de lesiones personales, usa solamente los tornillos incluidos con la caja eléctrica.



PRECAUCIÓN: Para evitar lesiones, o daños al ventilador y otros objetos, ten cuidado al trabajar cerca del ventilador o al limpiarlo.

Garantía

El proveedor garantiza de por vida, a partir de la fecha en que el comprador original lo adquiere, que el motor del ventilador no presenta defectos de fabricación ni de materiales al momento en que es enviado desde la fábrica. El proveedor también garantiza por un período de dos años a partir de la fecha de compra por el comprador original, que todas las demás piezas del ventilador, sin incluir ninguna aspa de vidrio o acrílico, no presentarán ningún defecto de fabricación o de material desde el momento de su salida de la fábrica. Acordamos reparar todos los defectos del tipo antes mencionado, sin cargo alguno o, a nuestra discreción, reemplazar el producto por un modelo de igual calidad o superior si el producto es devuelto. Para obtener servicio de garantía, debe presentar una copia del recibo como comprobante de compra. Todos los costos de retiro y reinstalación del producto son su responsabilidad. Los daños a cualquiera de las piezas como resultado de accidentes, uso inadecuado, instalación inadecuada, o debidos a la instalación de cualquier accesorio, no están cubiertos bajo esta garantía. Debido a que las condiciones climáticas pueden variar, esta garantía no cubre ningún cambio en el acabado en bronce, incluyendo óxido, perforación, corrosión, manchas o descascaramiento. Los acabados en bronce de este tipo tienen una vida útil más prolongada cuando se los protege de las condiciones climáticas cambiantes. Es normal cierta "oscilación" y no se considerará un defecto. Cualquier servicio realizado por personal no autorizado invalidará la garantía. No existe ninguna otra garantía expresa. Mediante la presente, Home Depot Decorators Collection se exime de cualquier garantía, incluyendo pero sin limitarnos a aquellas de comercialización e idoneidad para un fin particular, de acuerdo a lo contemplado por la ley. La duración de cualquier garantía implícita que no se pueda eximir está limitada al período de tiempo especificado en la garantía explícita. Algunos estados no permiten una limitación en la duración de la garantía; por consiguiente, la limitación anterior puede no aplicarse a su caso. El minorista no será responsable por daños directos, indirectos o especiales que resulten o deriven del uso o rendimiento del producto, excepto en casos en que lo estipule la ley. Algunos estados no permiten la exclusión o limitación de daños directos o indirectos, por lo que la limitación o exclusión anterior podría no aplicarse a su caso. Esta garantía le otorga derechos legales específicos y es posible que también tenga otros derechos que varían de un estado a otro. Esta garantía sustituye todas las garantías anteriores. Los costos de envío de cualquier devolución de productos hecha como parte de una reclamación de garantía están a cargo del cliente. Comuníquese con el equipo de servicio al cliente al 1-800-986-3460 o visite www.HomeDepot.com/homedecorators.

Preinstalación

ESPECIFICACIONES

Tamaño	Velocidad	Voltios	Amperes	Watts	RPM	CFM	Peso neto	Peso bruto	Pies cúbicos
1.32 m	Baja	120	0.2	10	60	1126	19.84 lbs. (9 kg)	23.37 lbs. (10.6 kg)	1.92 pies ³
	Media		0.39	35	130	2878			
	Alta		0.48	57	165	3826			



NOTA: Estas medidas son aproximadas. No incluyen ni el amperaje ni el vataje consumido por el kit de luces.



HERRAMIENTAS NECESARIAS



Destornillador
Phillips



Destornillador
plano



Llave
ajustable



Cinta de
electricista



Pelacables/
cortacables



Escalera de tijera

Preinstalación (continuación)

HERRAJES INCLUIDOS



NOTA: No se muestra el tamaño real de los herrajes.



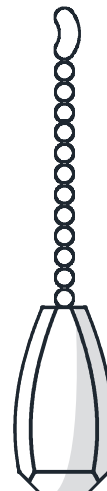
AA



BB



CC



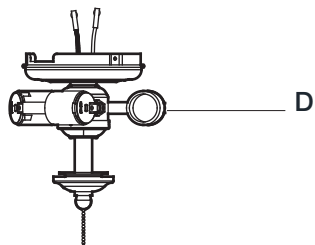
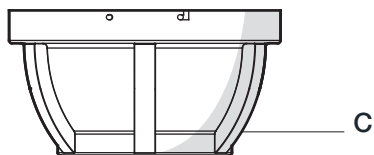
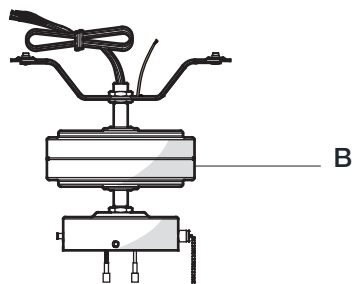
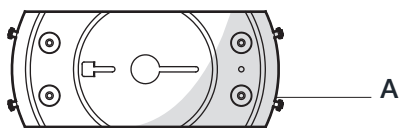
DD

Pieza	Descripción	Cantidad
AA	Conector plástico para cables	3
BB	Herrajes adicionales para montaje de aspas (tornillo y arandela de seguridad)	1

Pieza	Descripción	Cantidad
CC	Tapón plástico	1
DD	Interruptor de cadena	2

Preinstalación (continuación)

CONTENIDO DEL PAQUETE



Pieza	Descripción	Cantidad
A	Placa de montaje	1
B	Ensamblaje del motor del ventilador	1
C	Carcasa del motor	1
D	Ensamblaje del soporte del kit de luces	1

Pieza	Descripción	Cantidad
E	Aspa	5
F	Soporte de aspa con tornillos preinstalados	5
G	Tazón de vidrio con aro de moldura	1
H	Bombillas LED, máximo de 9.5 W	3



IMPORTANTE: Este producto o sus componentes están protegidos por una o más de las siguientes patentes de los EE. UU.: 5,947,436; 5,988,580; 6,010,110; 6,046,416, 6,210,117 y otras patentes pendientes.

Instalación

OPCIONES DE MONTAJE

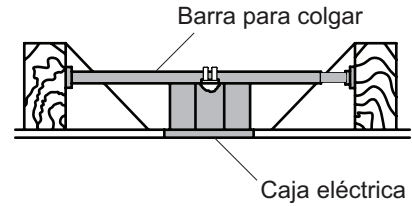
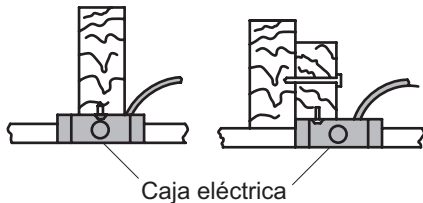
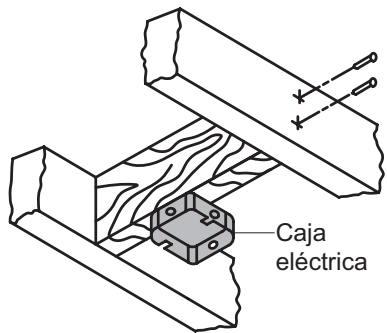


ADVERTENCIA: Para reducir el riesgo de incendio, descarga eléctrica o lesiones personales, instala solo en una caja eléctrica clasificada como “apropiada para sostener ventiladores de 15.9 kg o menos” y usa los tornillos que vienen con esta. Las cajas eléctricas utilizadas comúnmente para el soporte de lámparas pueden no servir como soporte de ventilador y tal vez deban reemplazarse. En caso de duda, consulta a un electricista calificado.

Si tu ventilador de techo no tiene una caja de montaje aprobada por UL, instala una siguiendo las instrucciones a continuación:

- Desconecta la energía retirando los fusibles o apagando los cortacircuitos.
- Asegura la caja eléctrica directamente a la estructura de la edificación. Usa sujetadores y materiales apropiados. La caja eléctrica y la estructura de soporte deben montarse de forma segura y tener capacidad para sostener de manera confiable 15.9 kg. Usa solamente cajas eléctricas aprobadas por UL marcadas como “apropiada para sostener ventiladores de 15.9 kg o menos”. No uses una caja eléctrica de plástico.

Las ilustraciones a continuación muestran dos maneras diferentes de montar la caja eléctrica.



Para colgar el ventilador donde ya haya una lámpara pero ninguna viga de techo, tal vez necesites una barra colgante como se muestra anteriormente (disponible en cualquier tienda de The Home Depot).

Ensamblaje - Cómo colgar el ventilador

1 Cómo fijar el ventilador a la caja eléctrica

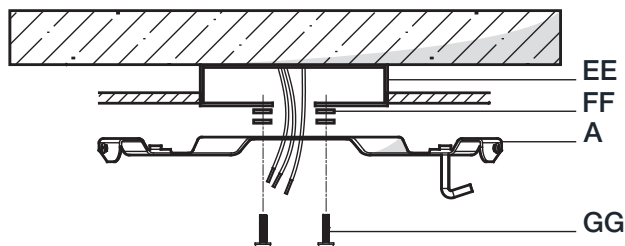


ADVERTENCIA: Para evitar una posible descarga eléctrica, corta la energía eléctrica en la caja principal de fusibles antes de instalar el cableado. Si crees que no tienes suficiente experiencia o conocimientos sobre cableado eléctrico, contrata a un electricista certificado.



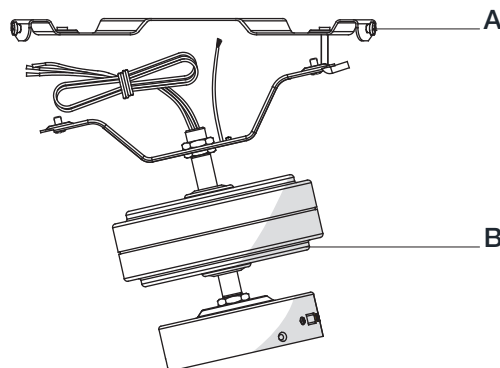
NOTA: Para un mejor desempeño, asegúrate de que la placa de montaje esté nivelada. Pueden necesitarse arandelas adicionales (FF) (no incluidas) para insertar entre la caja eléctrica y la placa de montaje.

- Corta la electricidad.
- Fija la placa de montaje (AA) firmemente a la caja eléctrica (EE) usando los dos tornillos (GG) incluidos con la caja eléctrica (EE). Saca los cables de alimentación de 120 voltios (negro, blanco y de conexión a tierra) fuera de la caja eléctrica (EE) y a través del orificio en la placa de montaje (A), y colócalos a un costado.

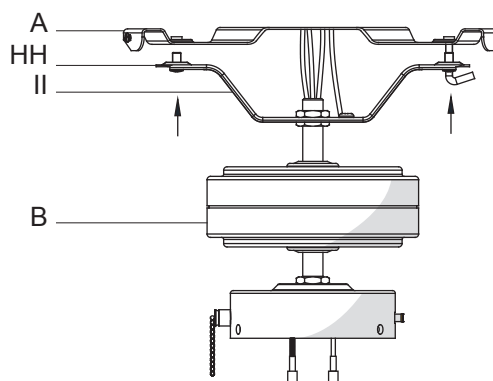


2 Cómo colgar el ensamblaje del motor del ventilador

- Levanta con cuidado el ensamblaje del motor del ventilador (B) y engancha la ranura del soporte del motor en la parte superior del ensamblaje del motor del ventilador (B), con el gancho de la placa de montaje (A) para que quede suspendido de forma segura. Luego, conecta el cableado a tu ventilador según lo indica el paso 3 "Cómo hacer las conexiones eléctricas".



- Levanta el ensamblaje del motor del ventilador (B).
- Alinea los orificios de la placa de montaje (A) con los tornillos preinstalados (HH) en el soporte del motor (II).
- Aprieta bien los tornillos (HH).



Ensamblaje - Cómo colgar el ventilador (continuación)

3 Cómo hacer las conexiones eléctricas

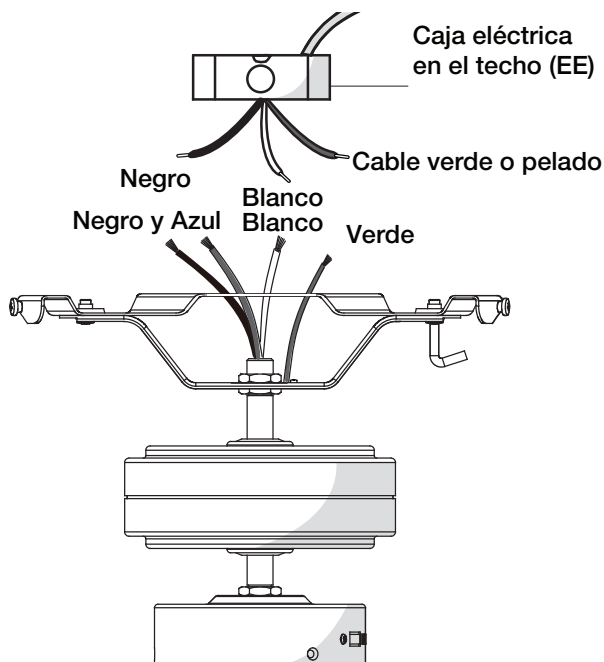


ADVERTENCIA: Cada cable no suministrado con este ventilador está diseñado para aceptar un máximo de un solo circuito eléctrico doméstico de calibre 12 y dos cables del ventilador. Si tienes un cableado doméstico superior a calibre 12 o más de un cable doméstico para conectar al cableado del ventilador, consulta a un electricista para conocer el tamaño adecuado de las tuercas para cables a usar.



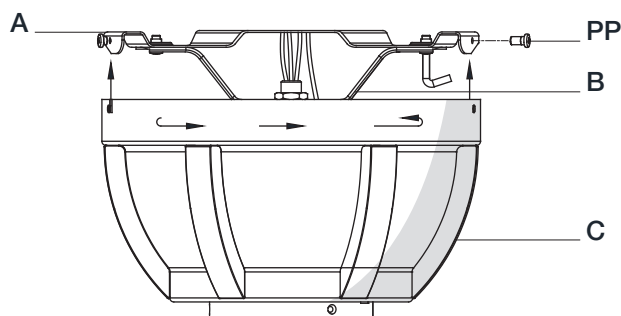
IMPORTANTE: Usa los conectores de cables plásticos (AA) incluidos con el ventilador. Sujeta los conectores con cinta de electricista y asegúrate de que no haya conexiones o cables sueltos.

- Conecta los cables verdes del motor del ventilador a los cables verde o desnudo del hogar usando una tuerca de conexión de cables (AA).
- Conecta el cable blanco del motor del ventilador al cable blanco del hogar usando una tuerca de conexión de cables (AA).
- Conecta los cables negro y azul del motor del ventilador al cable negro del hogar usando una tuerca de conexión de cables (AA).
- Asegura cada tuerca de conexión de cables con cinta de electricista.
- Gira la tuerca de conexión de cables (AA) hacia arriba y coloca el cableado dentro de la caja eléctrica (EE).



4 Cómo completar el ensamblaje del ventilador

- Quita dos de los cuatro tornillos (ubicados en diagonal uno de otro) (PP) de la parte superior de la placa de montaje (A) y afloja los otros dos (PP).
- Alinea las dos ranuras en forma de ojo de llave en la parte superior de la carcasa del motor (C) con los dos tornillos sueltos (PP) en la placa de montaje (A). Presiona la carcasa del motor (C) hacia arriba y gírala en el sentido de las manecillas del reloj para trabarla en la placa de montaje (A). Aprieta los dos tornillos.
- Instala los dos tornillos retirados en el inicio de este paso en los dos orificios libres y aprieta firmemente los cuatro tornillos.



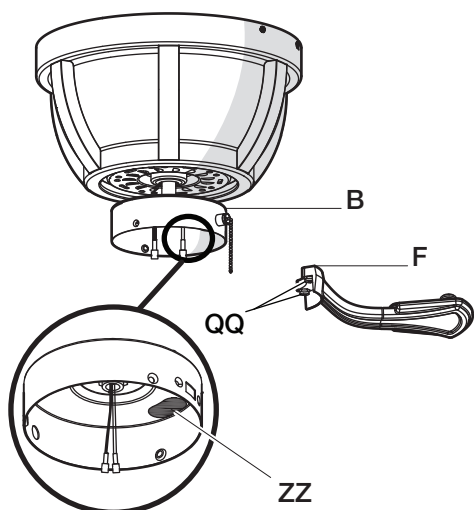
Ensamblaje - Cómo fijar las aspas y los soportes del ventilador

5 Cómo fijar los soportes de las aspas al motor



IMPORTANTE: La caja del interruptor tiene un hueco de acceso (ZZ) para dejar que el destornillador alcance el tornillo adentro de el soporte de la aspa. Coloque el soporte en el motor y apriete insertando el destornillador en el hueco de acceso. (ZZ)

- Apriete los soportes de aspa (F) a el montaje de el motor (B) insertando el poste de alineacion en el espacio en la parte inferior de el motor y apriete los tornios pre-instalados de el soporte (QQ) insertando un destornillador en el hueco de acceso (ZZ).
- Repite los pasos para las aspas que faltan girando el motor hasta que el proximo tornillo se puede pasar por el hueco de acceso (ZZ) en la caja del interruptor .

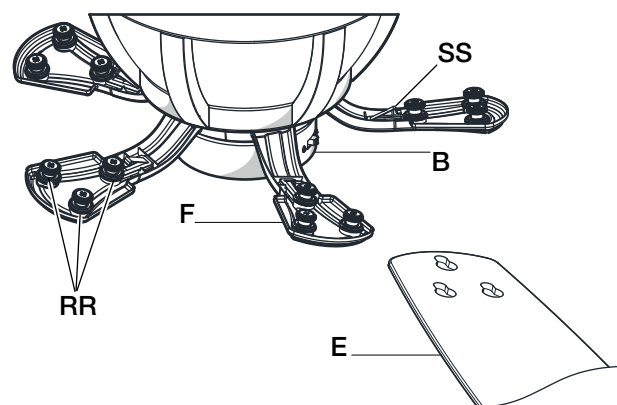


6 Cómo fijar las aspas a los soportes de las aspas



NOTA: Las aspas de tu ventilador son reversibles. Elige el acabado del aspa por el lado que mejor resalte tu decoración.

- Monta las aspas del ventilador (E) al soporte del aspa (F) alineando los tres orificios tipo ojo de cerradura en el aspa (E) con los tres postes (RR) de la parte superior del soporte del aspa (F).
- Sostén el aspa (E) con ambas manos cerca del soporte del aspa (F) hacia abajo con firmeza. Asegúrate de que los orificios tipo ojo de cerradura estén correctamente apoyados sobre los postes del soporte del aspa (RR).
- Mientras sujetas el aspa (E) con ambas manos, desliza el aspa (E) con firmeza hasta se acople al mecanismo de cierre (SS). Asegúrate de que el mecanismo de cierre (SS) en la parte posterior del soporte del aspa (F) se eleve y haga tope contra el borde del aspa (E), lo que indicará una conexión segura.
- Revisa la parte superior del soporte del aspa (F) para garantizar que el mecanismo de cierre (SS) esté asegurado en su lugar.
- Repite este procedimiento para las aspas restantes (E).



Ensamblaje - Cómo instalar el ensamblaje del soporte del kit de luces

7 Cómo instalar el ensamblaje del soporte del kit de luces

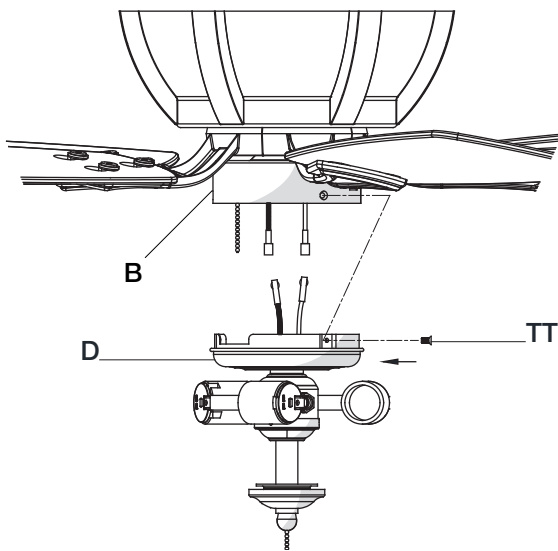


PRECAUCIÓN: Para disminuir el riesgo de descarga eléctrica, desconecta el circuito de energía del ventilador antes de instalar el kit de luces.



NOTA: Marca la posición del interruptor deslizante del ventilador. Este es el interruptor utilizado para cambiar la dirección de rotación del ventilador. Para más información sobre la operación del interruptor, consulta Cómo usar el ventilador en la página 11.

- Quita los tres tornillos (TT) en la cubierta de la caja del interruptor del ensamblaje del soporte del kit de luces (D).
- Conecta los cables del ensamblaje del soporte del kit de luces (D), usando los enchufes con adaptadores moldeados (azul con negro, blanco con blanco). Coloca con cuidado todos los cables y empalmes dentro de la caja del interruptor.
- Alinea los tres orificios de la cubierta de la caja del interruptor del ensamblaje del soporte del kit de luces (D) con los tres orificios en la caja del interruptor del ensamblaje del motor del ventilador (B). Asegúrate de que la muesca en la cubierta de la caja del interruptor del soporte del kit de luces (D) permita que el interruptor corredizo en la caja del interruptor del ensamblaje del motor del ventilador (D) se mueva libremente. Coloca el ensamblaje del soporte del kit de luces (D) y vuelve a colocar los tres tornillos (TT) que fueron retirados en el primer paso para asegurar el ensamblaje del soporte del kit de luces (D).



8 Cómo instalar el tazón de vidrio y las bombillas



ADVERTENCIA: Espera a que las pantallas de vidrio se enfrien por completo antes de retirarlas.

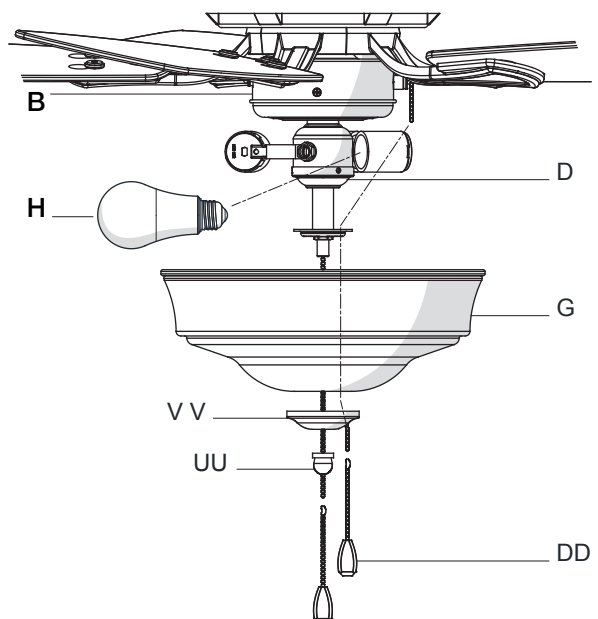


PRECAUCIÓN: No aprietes demasiado la tuerca hexagonal ya que podrías romper el vidrio.



PRECAUCIÓN: Asegúrate de que la corriente esté cortada antes de montar o retirar las pantallas de vidrio.

- Retira el remate (UU) y la cubierta inferior (V V) de la boquilla roscada del ensamblaje del soporte del kit de luces (D).
- Con la electricidad apagada, instala las tres bombillas LED (9.5 max) (H), enroscándolas en los portabombillas.
- Coloca el tazón de vidrio (G) y pasa la cadena del interruptor del ventilador a través del orificio lateral en la cubierta inferior.
- Pasa la cadena del interruptor de las luces a través del orificio en la cubierta inferior (V V) y el remate (UU), pásalos sobre la boquilla roscada y ajusta bien el remate (UU).
- Instala las extensiones de las cadenas de interruptores (DD) incluidas, tanto para la del interruptor de luces como para la del ventilador.



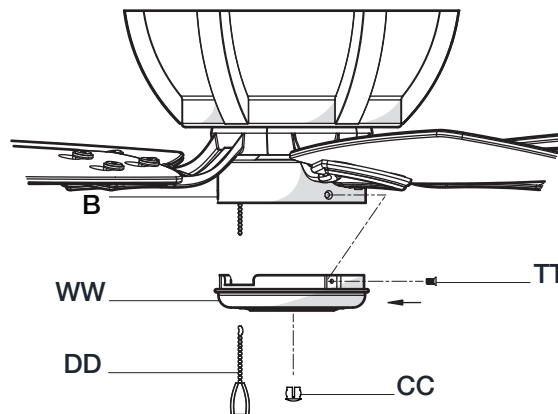
Ensamblaje - Cómo ensamblar el ventilador sin el kit de luces

7 Cómo instalar el ensamblaje del soporte del kit de luces



PRECAUCIÓN: Para disminuir el riesgo de descarga eléctrica, desconecta el circuito de energía del ventilador antes de instalar el kit de luces.

- Con el fin de utilizar el ventilador sin el kit de luces, retira la cubierta de la caja del interruptor (WW) ubicado en la parte superior del soporte del kit de luces (D), retirando la tuerca hexagonal del centro dentro de la cubierta de la caja del interruptor (WW) de la boquilla roscada sobre el soporte del kit de luces (D).
- Empuja el tapón plástico (CC) dentro del orificio central de la cubierta de la caja del interruptor (WW).
- Quita los tres tornillos (TT) en la cubierta de la caja del interruptor (WW).
- Alinea los tres orificios de la cubierta de la caja del interruptor (WW) con los tres orificios en la caja del interruptor del ensamblaje del motor del ventilador (B). Asegúrate de que la muesca en la cubierta de la caja del interruptor (WW) permita que el interruptor corredizo en la caja del interruptor del ensamblaje del motor del ventilador (B) se mueva libremente.
- Vuelve a colocar los tres tornillos (TT) que fueron retirados en el primer paso para asegurar la cubierta de la caja del interruptor (WW).



Funcionamiento



NOTA: Espera a que se detenga el ventilador antes de invertir la dirección de giro de las aspas.

Enciende la electricidad y verifica el funcionamiento del ventilador. El interruptor de cadena controla las velocidades del ventilador de la siguiente manera:

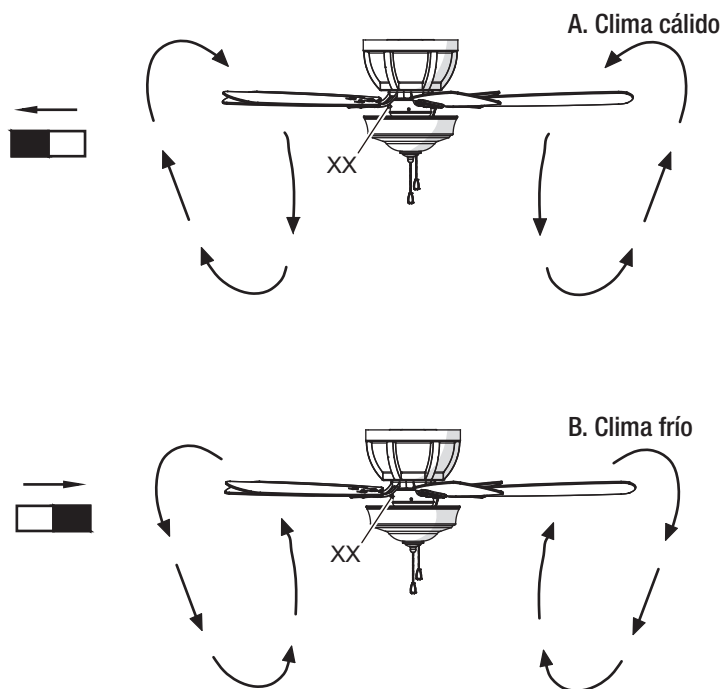
1 vez: alta, 2 veces: media-alta, 3 veces: media-baja, 4 veces: baja y 5 veces: apagado.

Las configuraciones de velocidad apropiadas para clima cálido o frío dependen de factores como el tamaño de la habitación, la altura del techo y la cantidad de ventiladores.

El interruptor deslizante (XX) controla la dirección de las aspas: hacia adelante (interruptor hacia la izquierda) o reversa (interruptor hacia la derecha)

A. Clima cálido - (Hacia adelante) Un flujo de aire descendente crea un efecto refrescante. Esto te permite fijar tu aire acondicionado en una configuración más alta sin afectar tu comodidad.

B. Clima frío - (Reversa) Un flujo de aire hacia arriba mueve el aire cálido lejos del techo. Esto te permite configurar la unidad de calefacción más baja sin afectar tu comodidad.



Mantenimiento y limpieza



ADVERTENCIA: Asegúrate de que la corriente esté apagada antes de limpiar el ventilador.

- Debido al movimiento natural del ventilador, algunas conexiones pueden aflojarse. Revisa las conexiones de soporte, los soportes y los accesorios de las aspas dos veces al año. Verifica que estén seguros. No es necesario desmontar el ventilador del techo.
- Limpia el ventilador con frecuencia para que luzca como nuevo con el paso de los años. No uses agua al limpiar. Esto puede dañar el motor o la madera, o causar descargas eléctricas. Usa solamente un cepillo suave o un paño sin pelusas para evitar arañar el acabado. El revestimiento está sellado con laca para minimizar la decoloración u opacidad.
- Puedes aplicar a la madera una fina capa de pulimento para muebles para una mayor protección y belleza. Cubre los arañazos pequeños con una leve aplicación de lustrador para calzado.
- No necesitas lubricar el ventilador. El motor tiene cojinetes de bola sellados permanentemente lubricados.

Solución de problemas

Problema	Solución
El ventilador no enciende.	<ul style="list-style-type: none"><input type="checkbox"/> Verifica los fusibles o disyuntores principales y secundarios.<input type="checkbox"/> Verifica las conexiones de cables en línea al ventilador y conexiones de cables del interruptor en la caja de interruptores.
El ventilador hace ruido.	<ul style="list-style-type: none"><input type="checkbox"/> Asegúrate de que todos los tornillos de la carcasa del motor estén ajustados.<input type="checkbox"/> Asegúrate de que los tornillos que unen el soporte de aspa al cuerpo del motor están bien ajustados.<input type="checkbox"/> Asegúrate de que las conexiones de tuerca de cable no choquen unas con otras o con la pared interior de la caja del interruptor.<input type="checkbox"/> Espera que transcurra un período de 24 horas de “adaptación”. La mayoría de los ruidos asociados con un nuevo ventilador desaparecen en ese período.<input type="checkbox"/> Asegúrate de que la caja eléctrica esté bien segura y que las almohadillas aislantes de goma se hayan instalado entre la placa de montaje y la caja eléctrica.
El ventilador oscila.	<ul style="list-style-type: none"><input type="checkbox"/> Verifica que todas las aspas y los tornillos de los brazos de aspas estén seguros.<input type="checkbox"/> La mayoría de los problemas de oscilación del ventilador se deben a que las aspas no están a un mismo nivel. Verifica este nivel seleccionando un punto en el techo sobre la punta de una de las aspas. Mide desde un punto en el centro de cada aspa a un punto en el techo. Rota el ventilador hasta que la siguiente aspa esté posicionada para medir, y mide desde el mismo punto en cada aspa hasta el techo. Repite para cada aspa. Las desviaciones de la medición deben estar dentro de un rango de 3 mm. Enciende el ventilador durante diez minutos.

HOME DECORATORS COLLECTION

¿Preguntas, problemas o piezas faltantes? Antes de regresar a la tienda,
llama al servicio al cliente de The Home Depot
de lunes a viernes, de 8 a.m. a 6 p.m. (hora estándar del Este)
1-800-986-3460
HOMEDEPOT.COM/HOMEDECORATORS
Conserva este manual para uso futuro.

Este equipo ha sido comprobado y se determinó que cumple con los límites establecidos para un dispositivo digital Clase B, de acuerdo con la Parte 15 de las Normas de la FCC. Estos límites fueron establecidos para ofrecer protección razonable contra la interferencia dañina durante uso residencial. Este equipo genera, usa y puede irradiar energía de radiofrecuencia; si no se instala y usa de acuerdo con las instrucciones, puede causar interferencia dañina a comunicaciones radiales. Sin embargo, no hay garantía de que no ocurrirá interferencia en una instalación particular. Si este equipo causa interferencia que perjudica la recepción de radio o televisión, lo cual puede determinarse encendiendo y apagando el equipo, se recomienda al usuario que trate de corregir la interferencia con una o más de las siguientes medidas:

- Reorientar o reubicar la antena receptora.
- Incrementar la distancia entre los equipos y el receptor.
- Conectar el equipo a un tomacorriente en un circuito distinto al que el receptor está conectado.
- Consultar al distribuidor o algún técnico de radio/TV con experiencia.

PRECAUCIÓN:

Los cambios o modificaciones sin aprobación expresa del responsable de este dispositivo podrían anular el derecho del usuario a operar el equipo. Este dispositivo cumple con la Parte 15 de las Normas de FCC. Su operación está sujeta a las dos condiciones siguientes: (1) Este dispositivo no debe causar interferencia dañina, y (2) tiene que aceptar cualquier interferencia recibida, incluyendo aquella que pudiera afectar su funcionamiento.