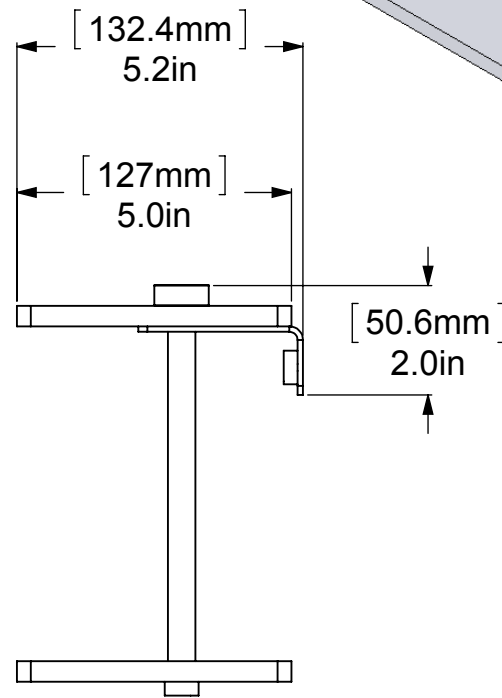
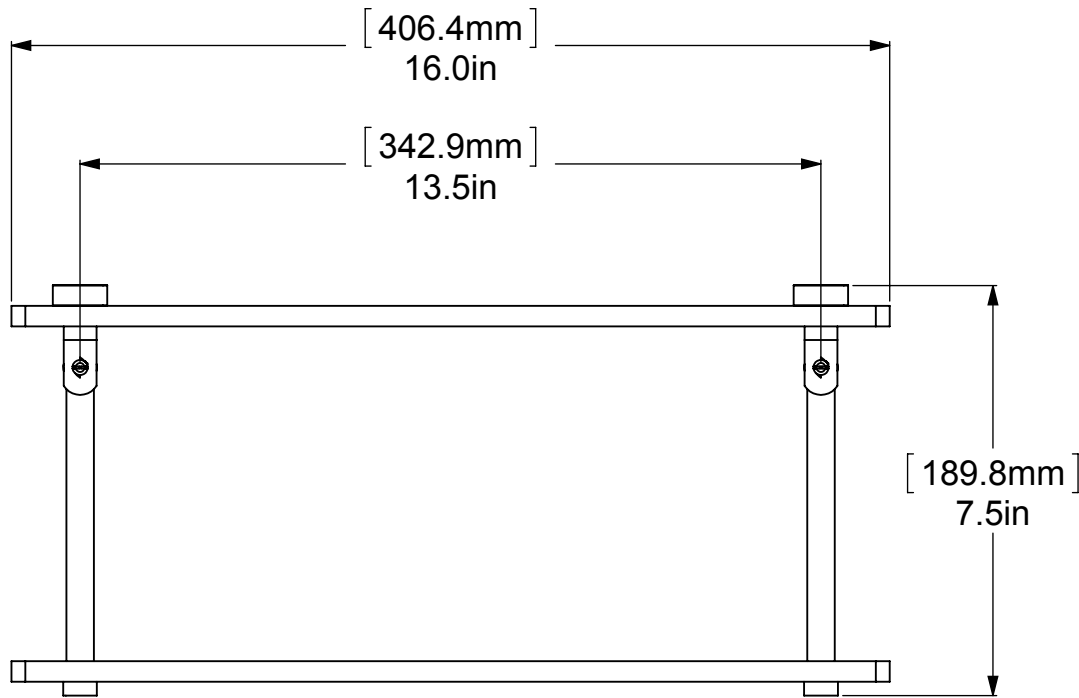
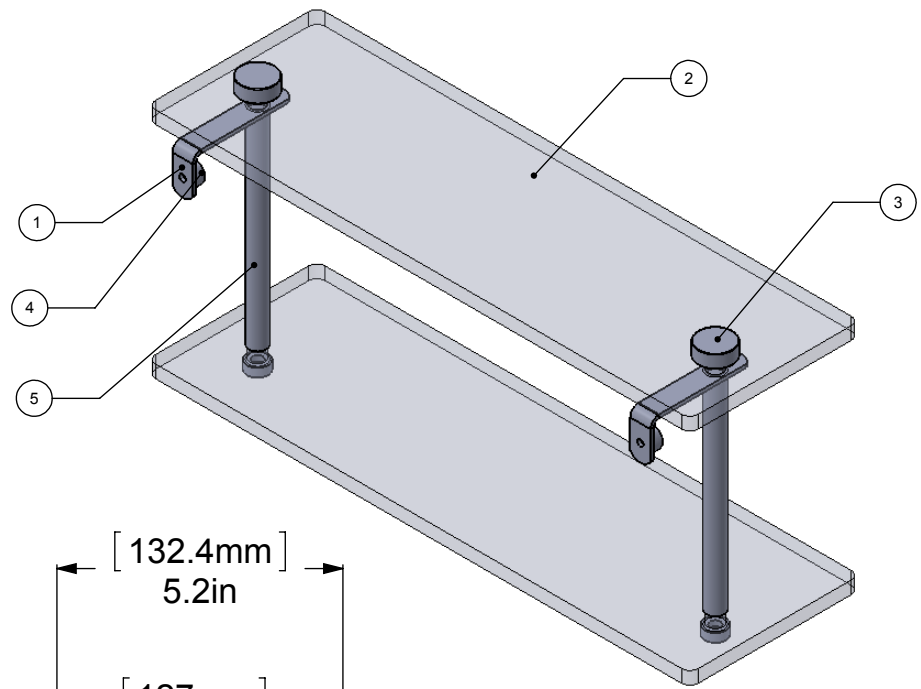


ITEM NO.	P/N	Description	QTY.
1	BKSH-2AD	BRACKET	2
2	GLRT-16	GLASS	2
3	CARD-1	END CAP	2
4	CARD-58	LOCK	4
5	TU12-6	TUBE	2



UNLESS OTHERWISE STATED

.X	±.3mm
.XX	±.15mm
.XXX	±.008mm

COPYRIGHT © Allied Brass 2016



THIRD ANGLE PROJECTION

DRAWN	6/26/2016	I.M
CHECKED	6/26/2016	P.D
APPROVED	6/26/2016	R.A

MATERIAL:	BRASS
DESCRIPTION:	SHELF

FINISH	TBD
QUANTITY	TBD
DRAWING No.	REV
NS-2-16	0
SCALE	1:3.5
SHEET: 01	A4