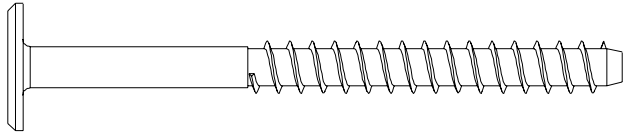
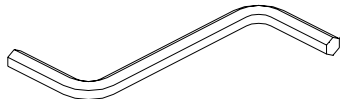
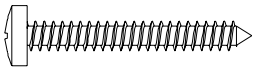
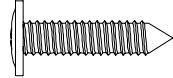
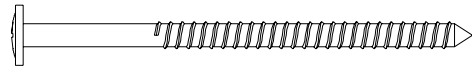
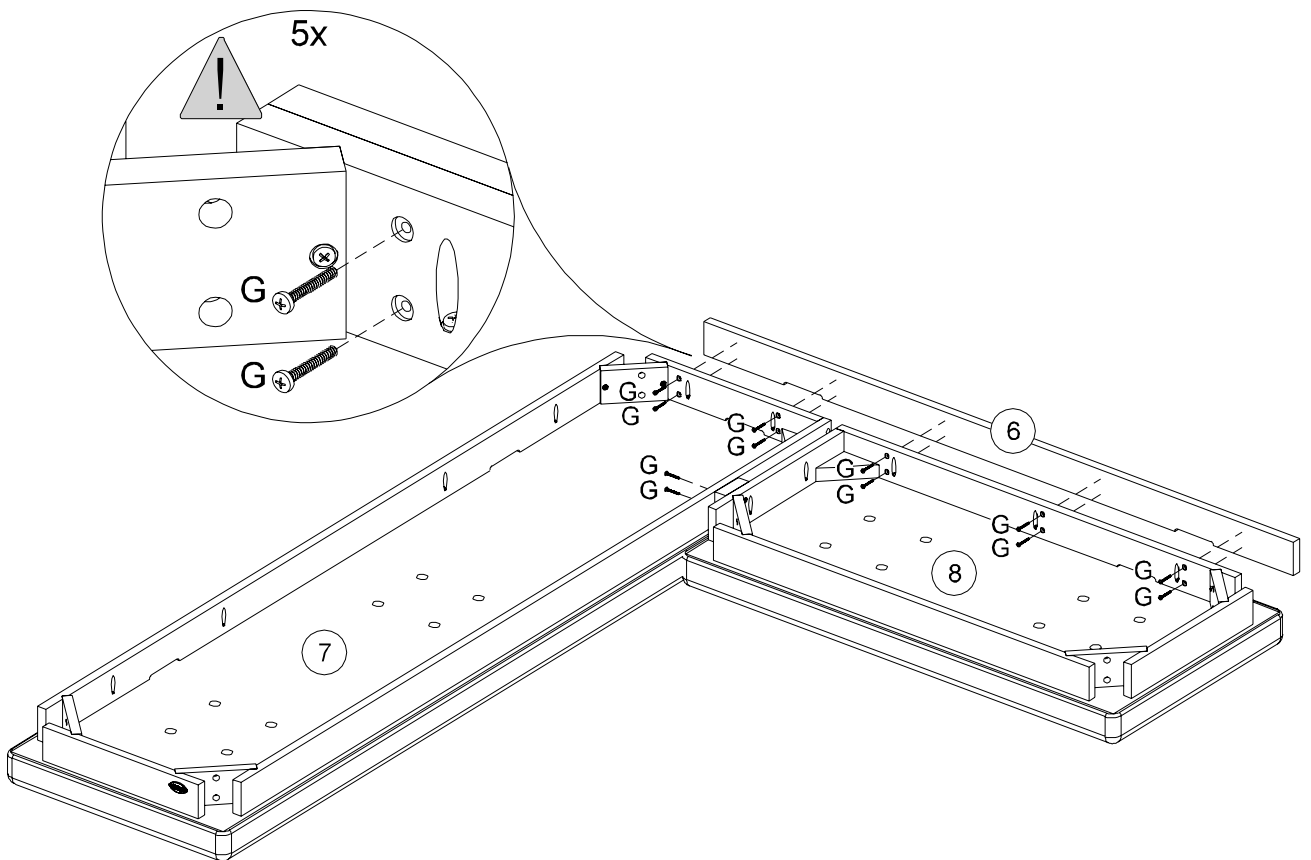
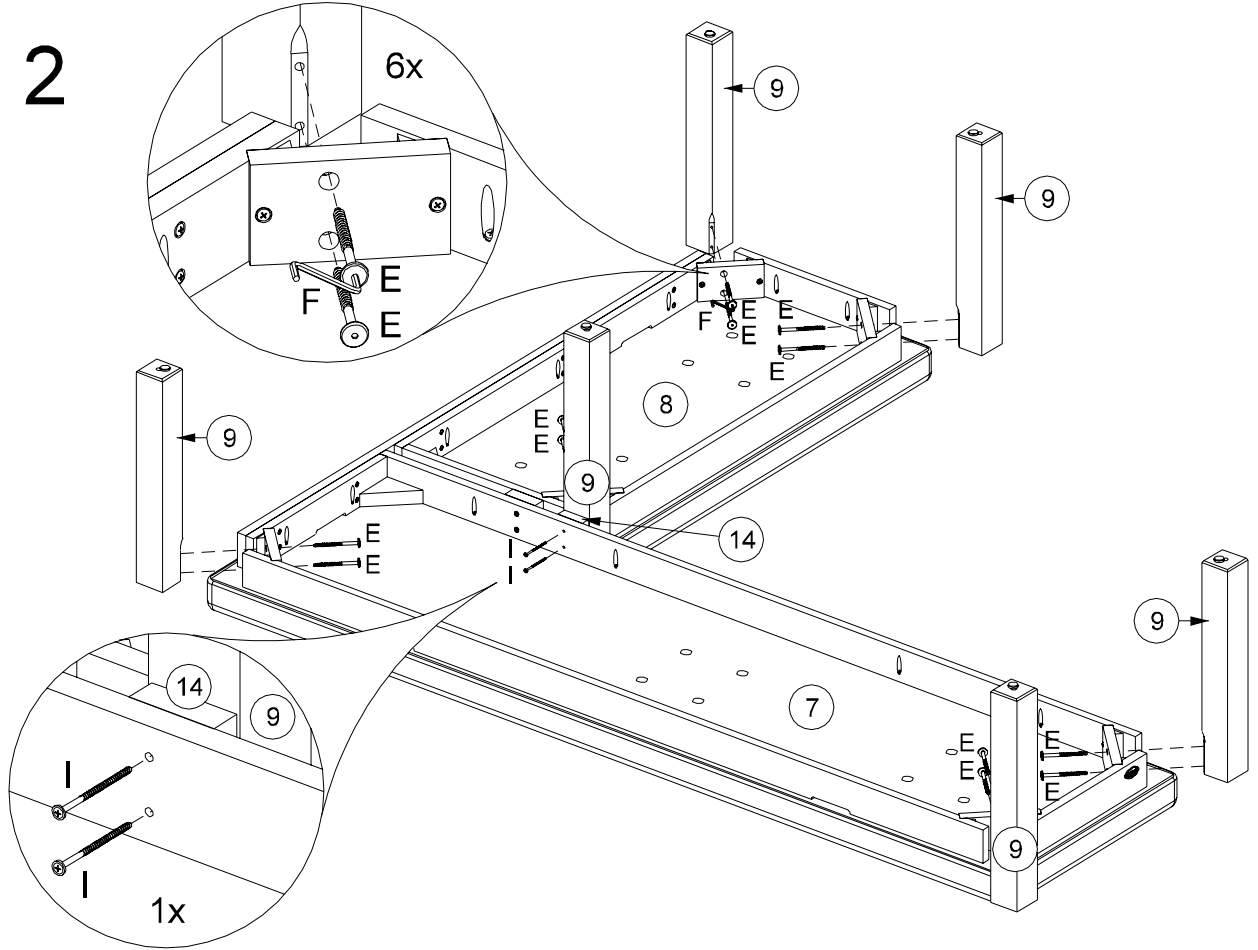


E		15
F		01
G		12
H		24
I		02

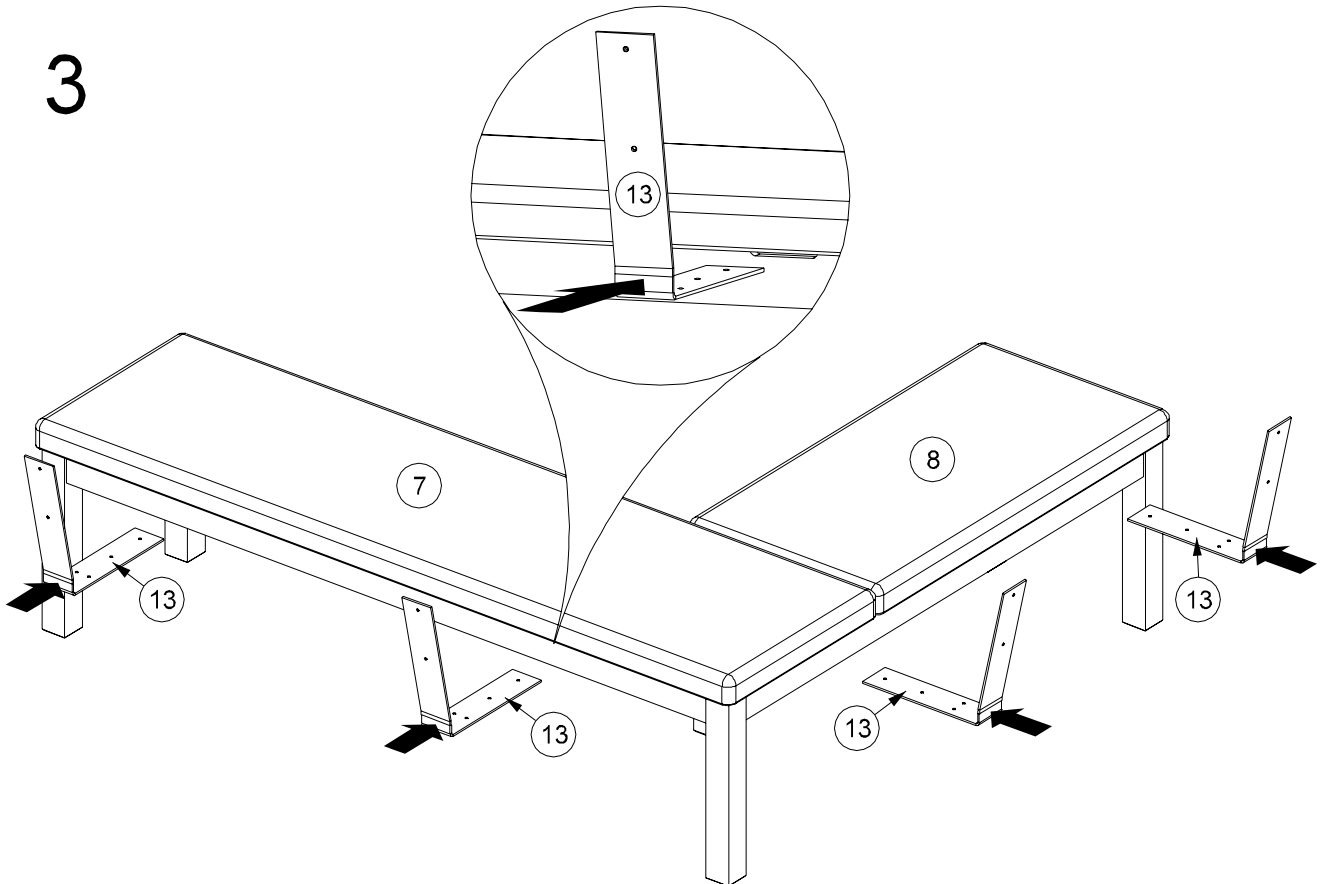
1



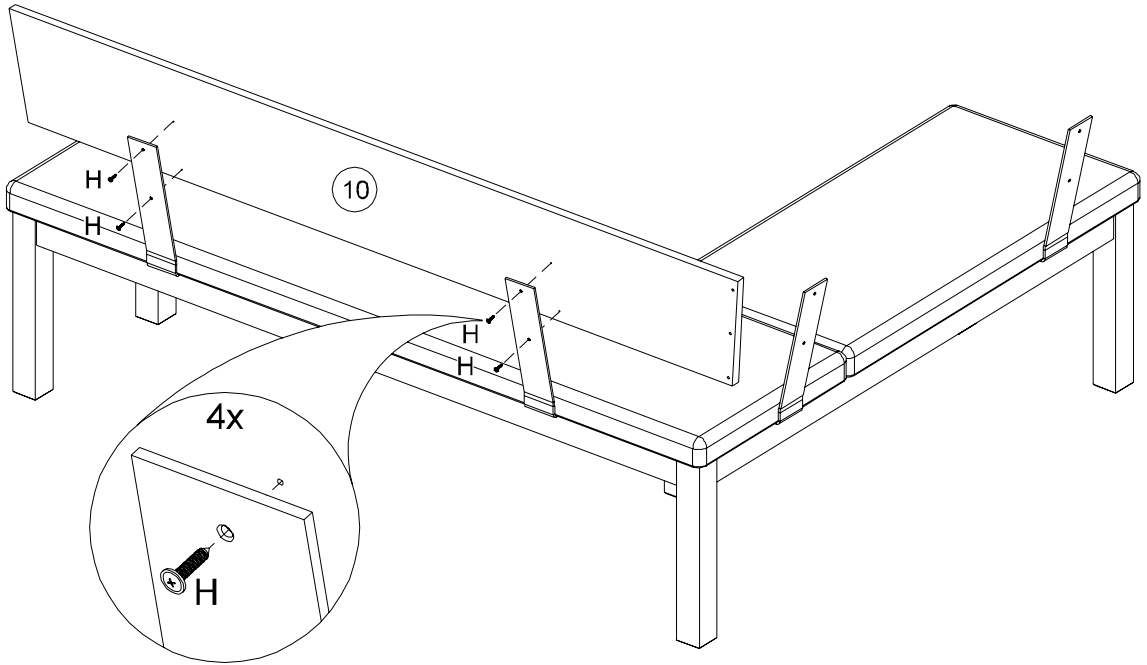
2



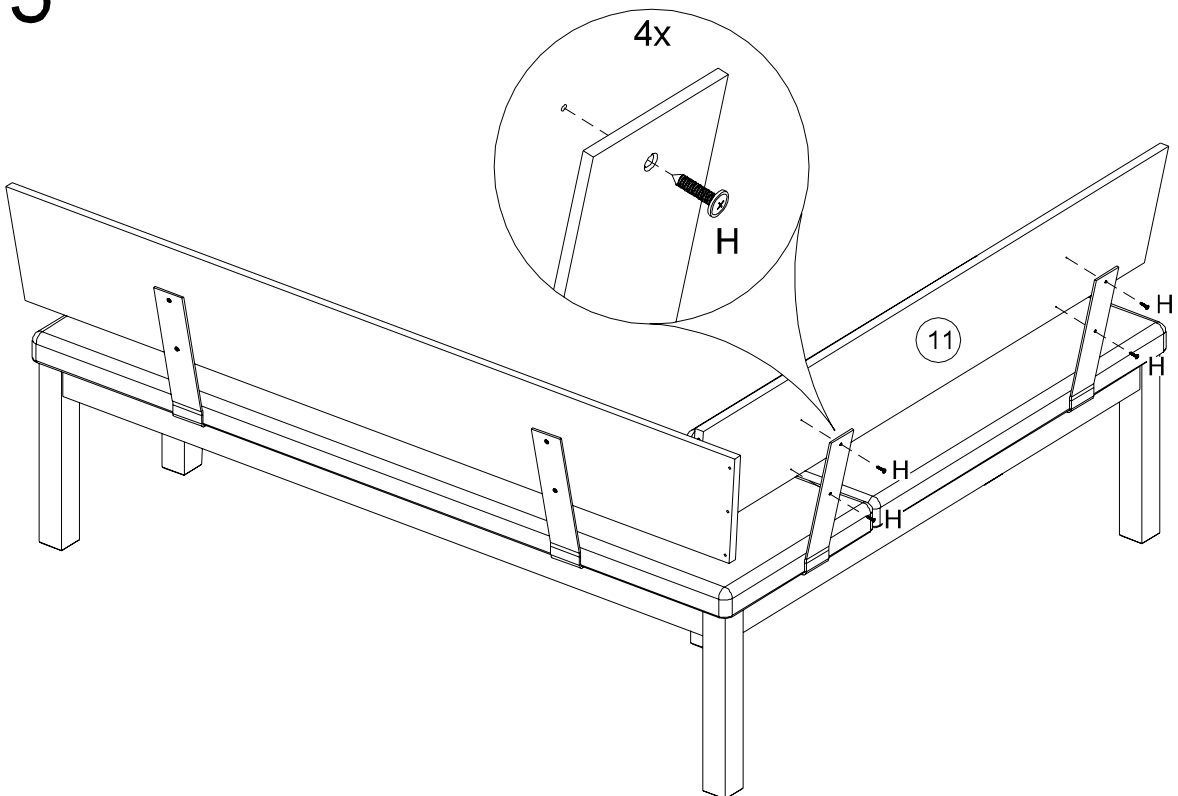
3



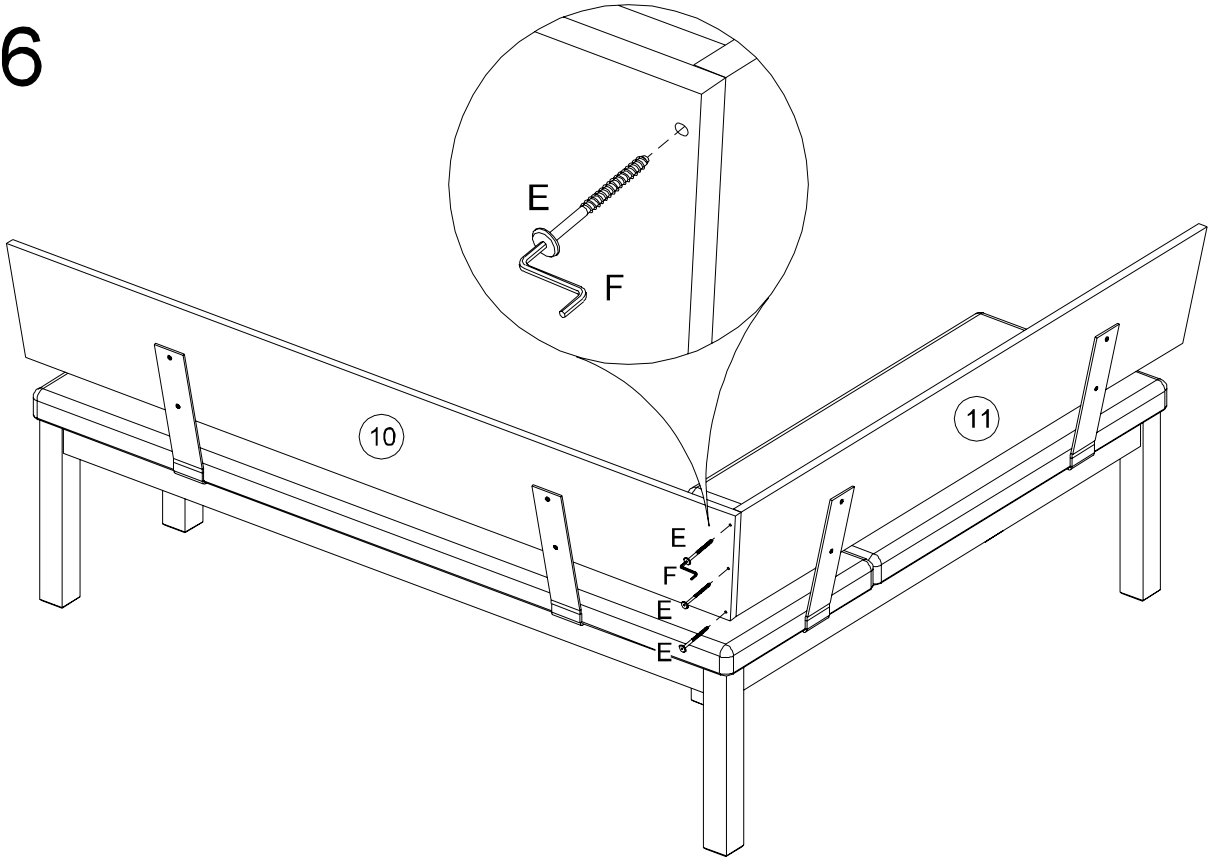
4



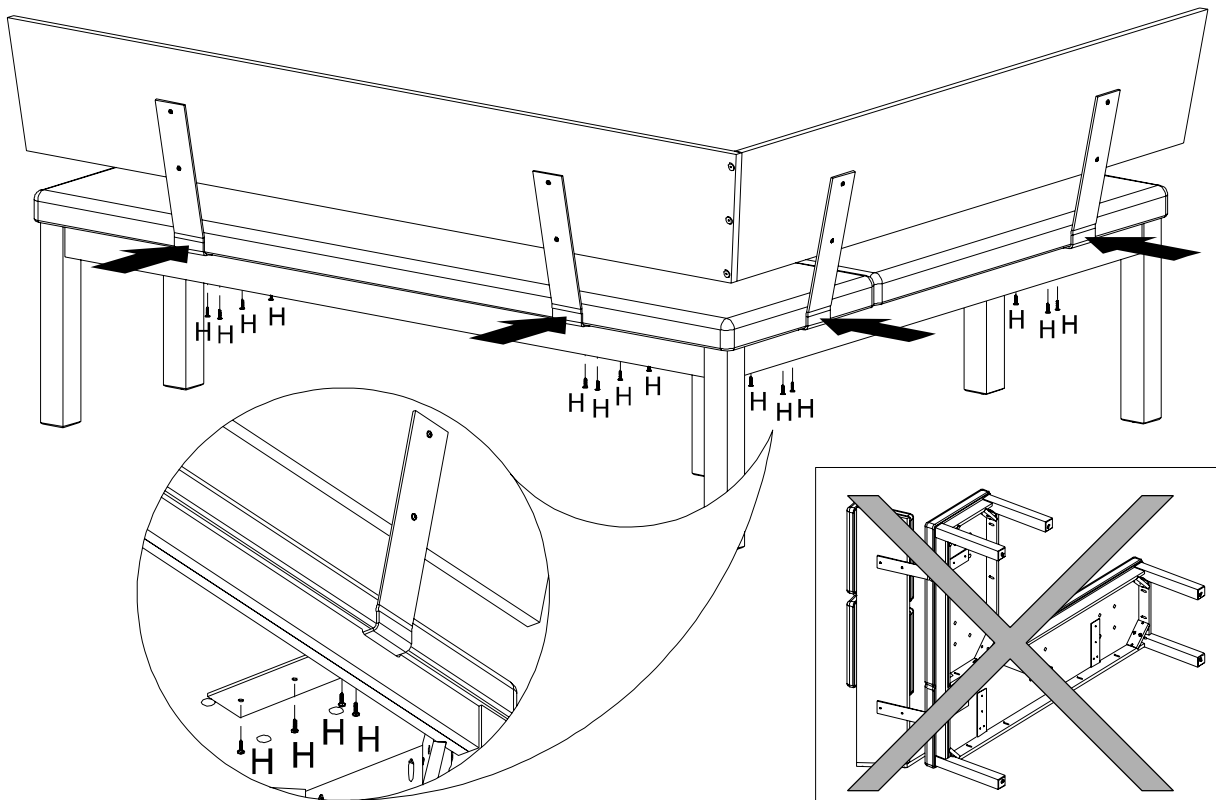
5



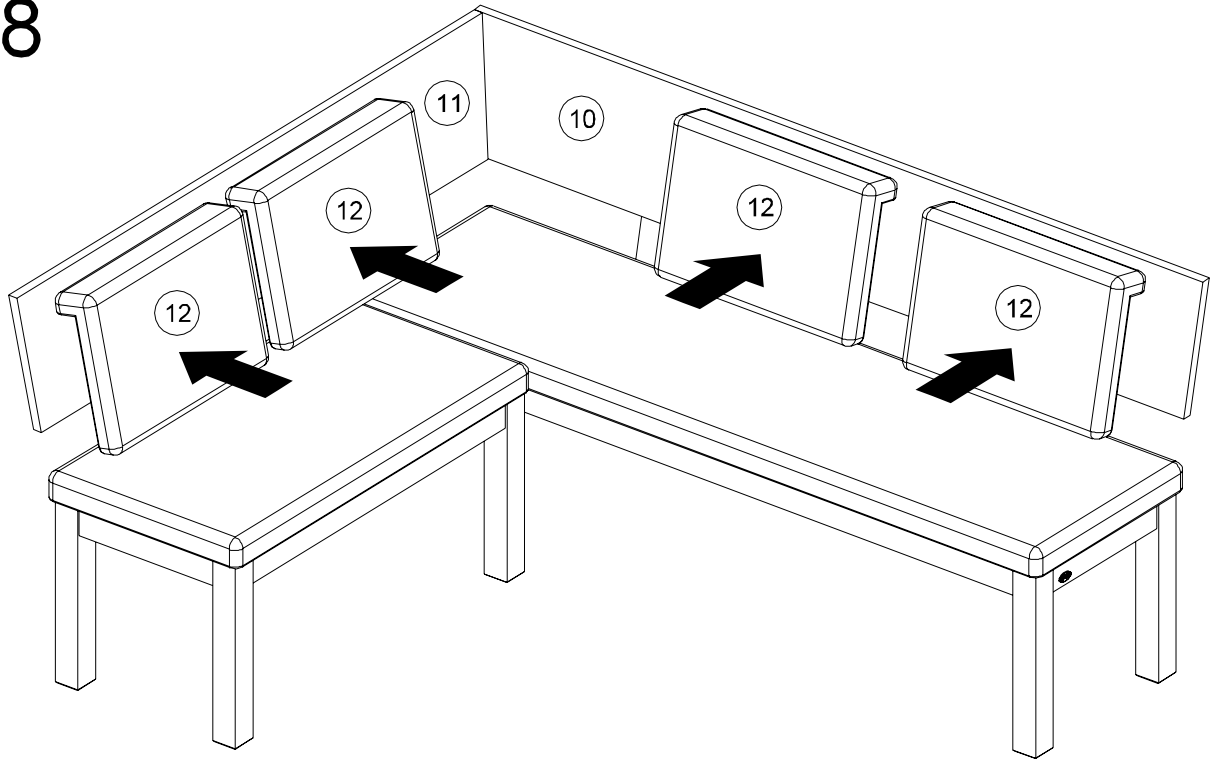
6



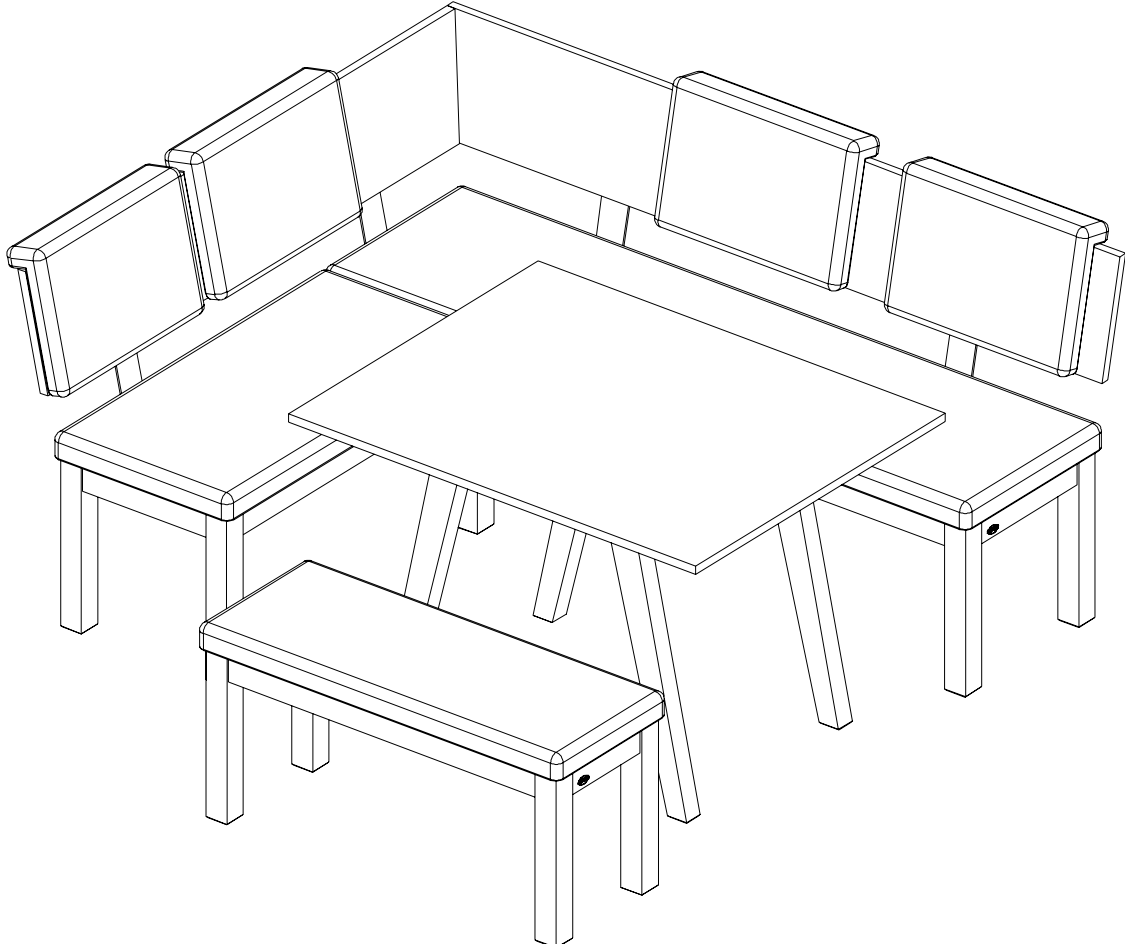
7



8



9





## Recommendations For Use

Artefama's furniture is produced using solid pine wood from reforestation projects with no damage to the environment.

Wooden furniture have some specific characteristic, such as variation of the wood grains, color tone, textures, nodes of different shapes and sizes, small cracks and small gaps between joints that states that the furniture is made of authentic wood.

The timber is a natural product that can swell and shrink as a result of humidity and temperature. The coloring of the wood can also vary due to the influence of light and heat.

### ASSEMBLING

Before you get started, we recommend that you provide a clean, free of people traffic location, so you can organize the materials and tools for assembling. Start assembling the furniture on the cardboard of the packaging or on a blanket to protect the parts.

**WARNING:** Avoid the presence of children and pets during assembling because the product contains small parts that can be swallowed.

### INSTALLATION

- Use indoors;
- Installation must be done on a regular floor without gaps;
- Allow a small space between the product and the wall to improve ventilation and to prevent moisture;
- The screws should be tightened regularly;

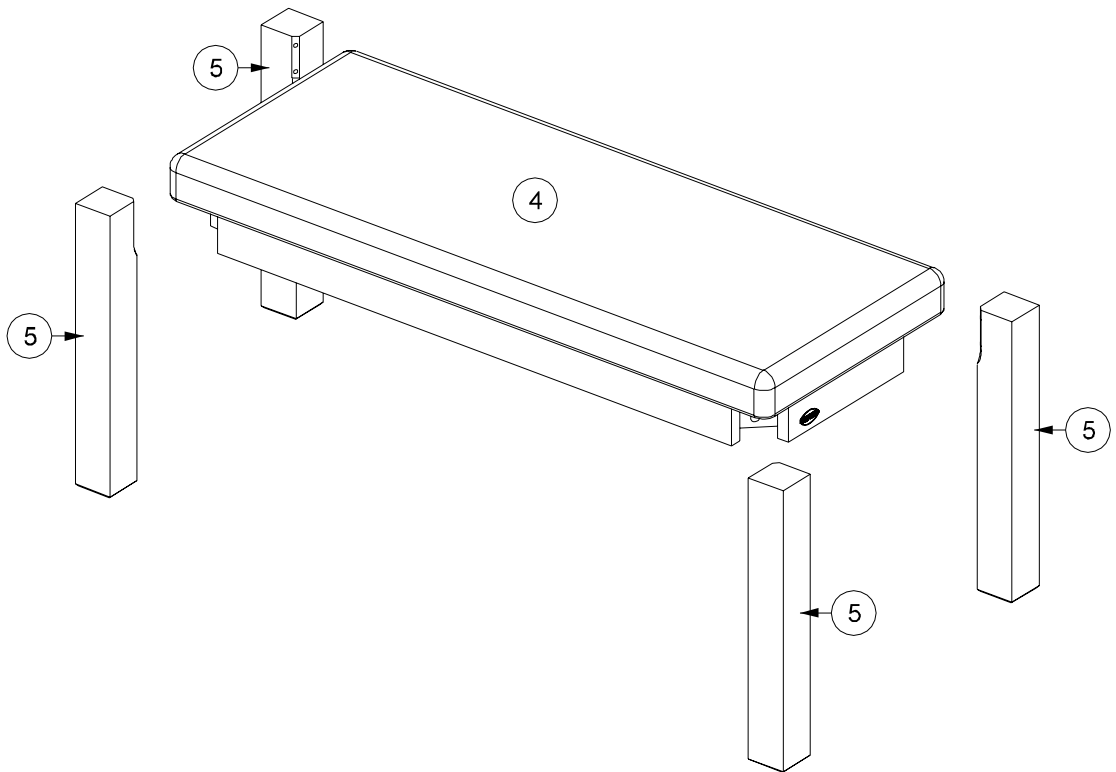
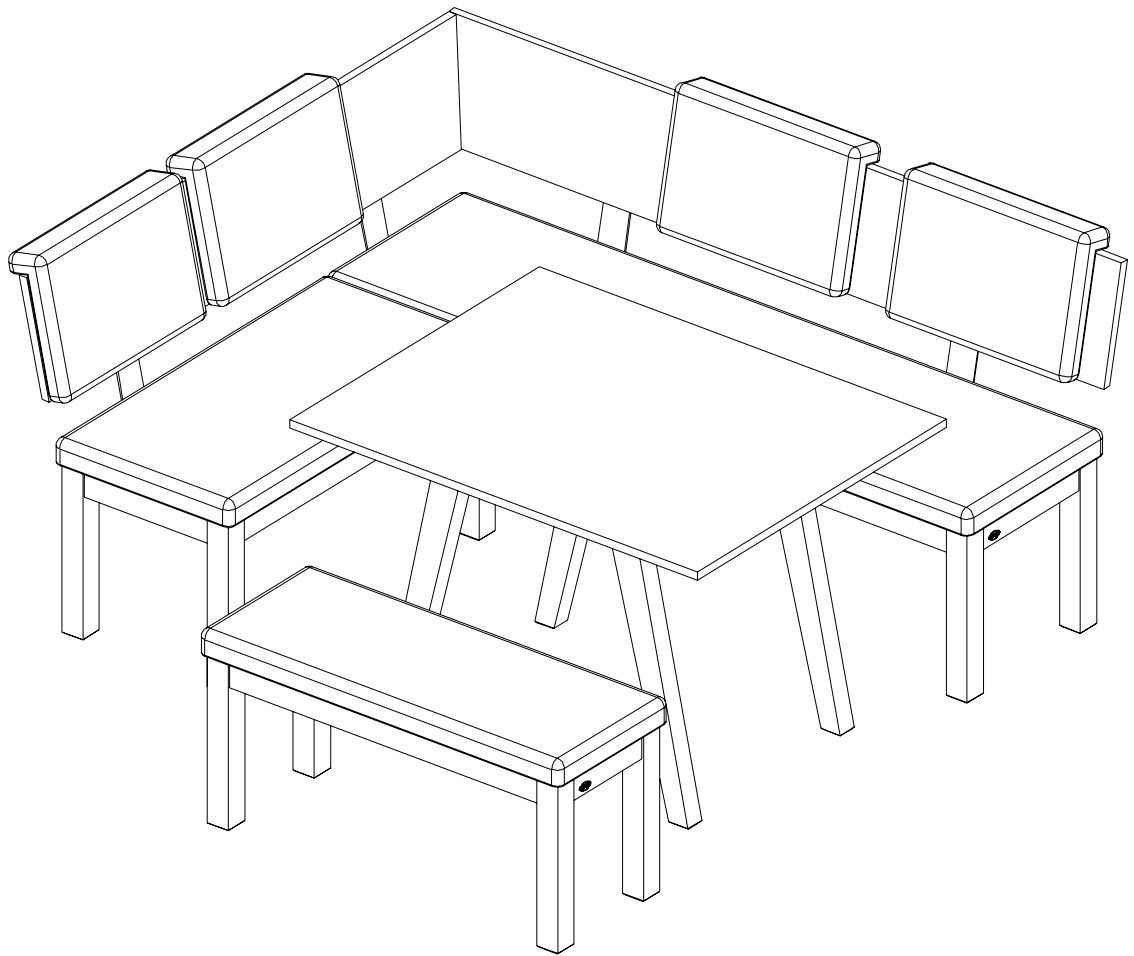
### CONSERVATION

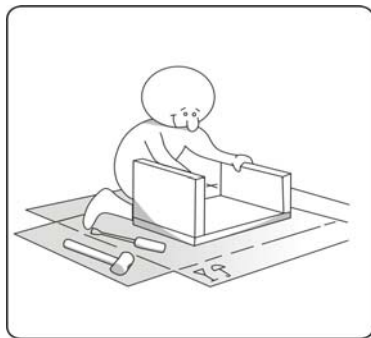
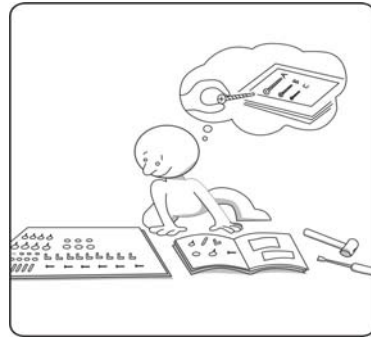
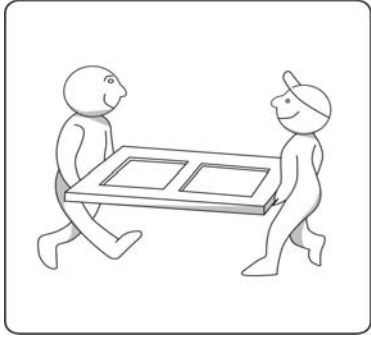
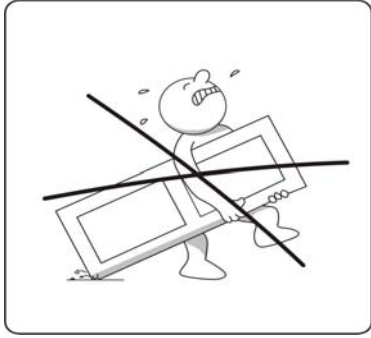
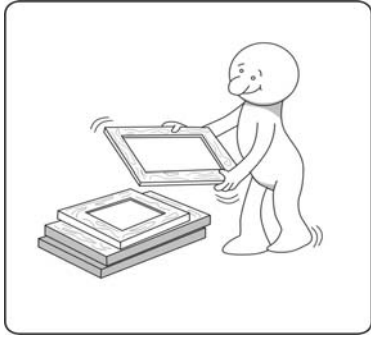
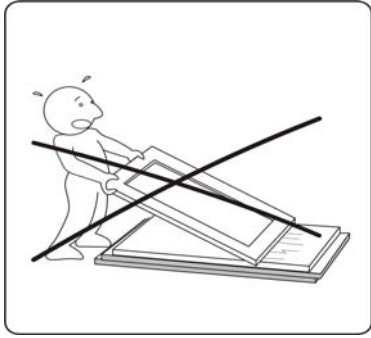
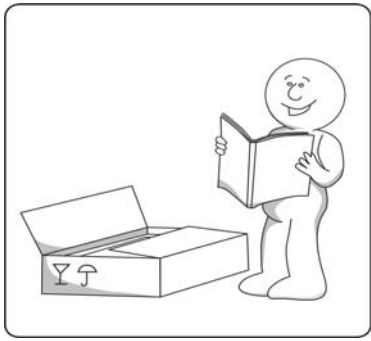
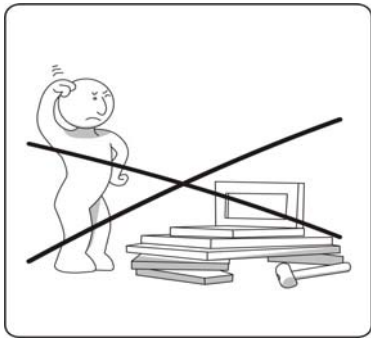
- Avoid exposing your furniture to moisture or direct sunlight, or other form of heat;
- Avoid dragging or hitting the product;
- Avoid contact with sharp objects;

### CLEANING

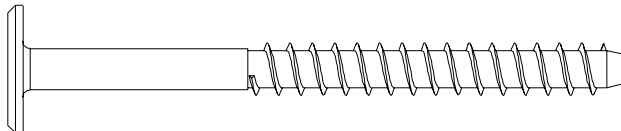
- Use a fabric slightly moistened in water
- Do not use alcohol, detergent or abrasive materials
- Clean immediately in case of liquid spill





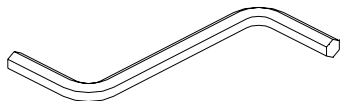


C



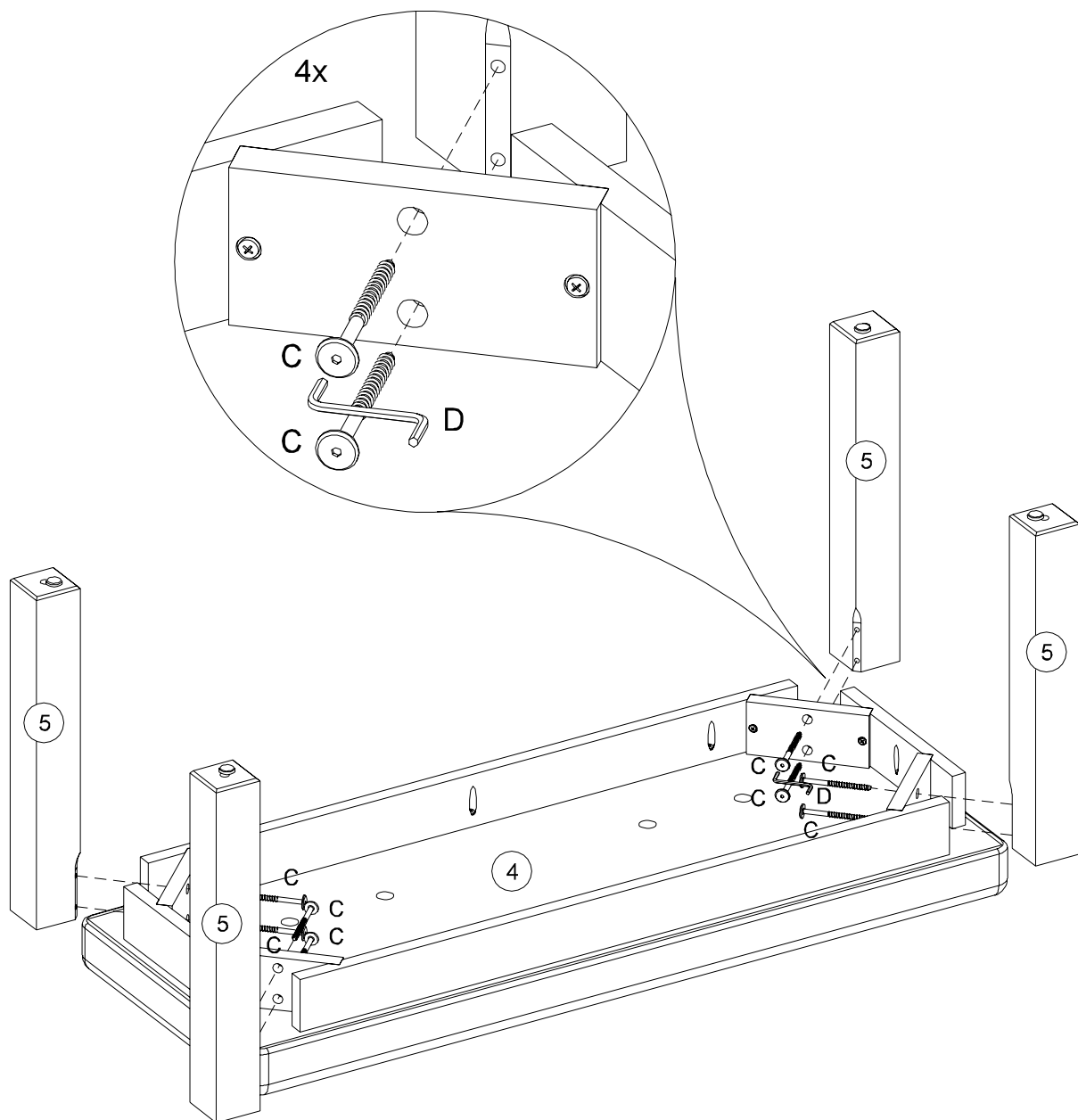
08

D



01

1





## Recommendations For Use

Artefama's furniture is produced using solid pine wood from reforestation projects with no damage to the environment.

Wooden furniture have some specific characteristic, such as variation of the wood grains, color tone, textures, nodes of different shapes and sizes, small cracks and small gaps between joints that states that the furniture is made of authentic wood.

The timber is a natural product that can swell and shrink as a result of humidity and temperature. The coloring of the wood can also vary due to the influence of light and heat.

### ASSEMBLING

Before you get started, we recommend that you provide a clean, free of people traffic location, so you can organize the materials and tools for assembling. Start assembling the furniture on the cardboard of the packaging or on a blanket to protect the parts.

**WARNING:** Avoid the presence of children and pets during assembling because the product contains small parts that can be swallowed.

### INSTALLATION

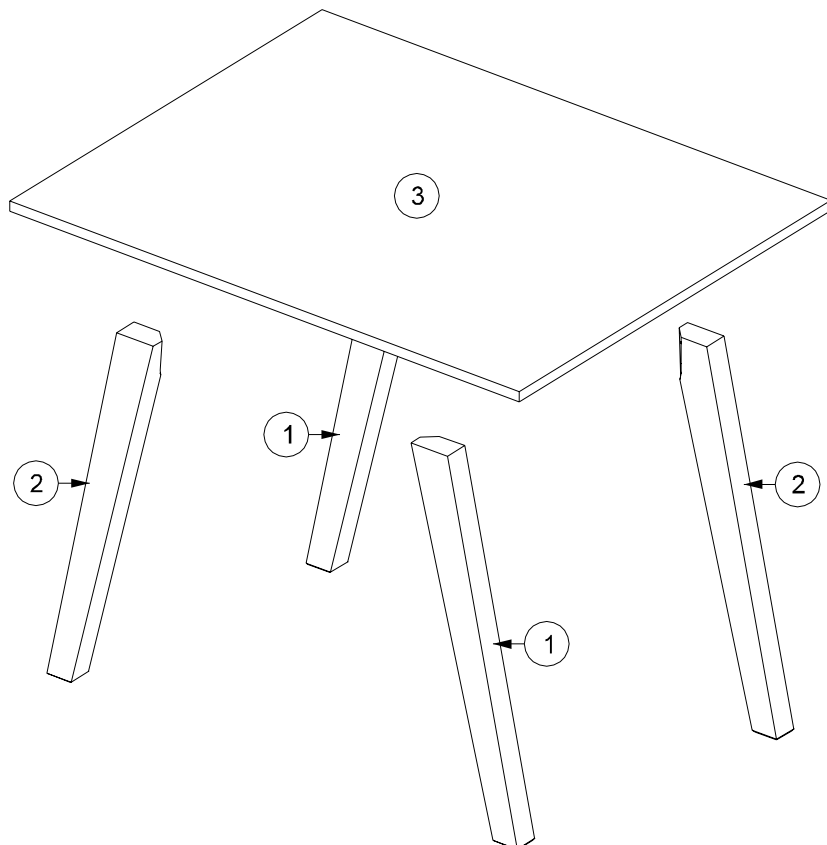
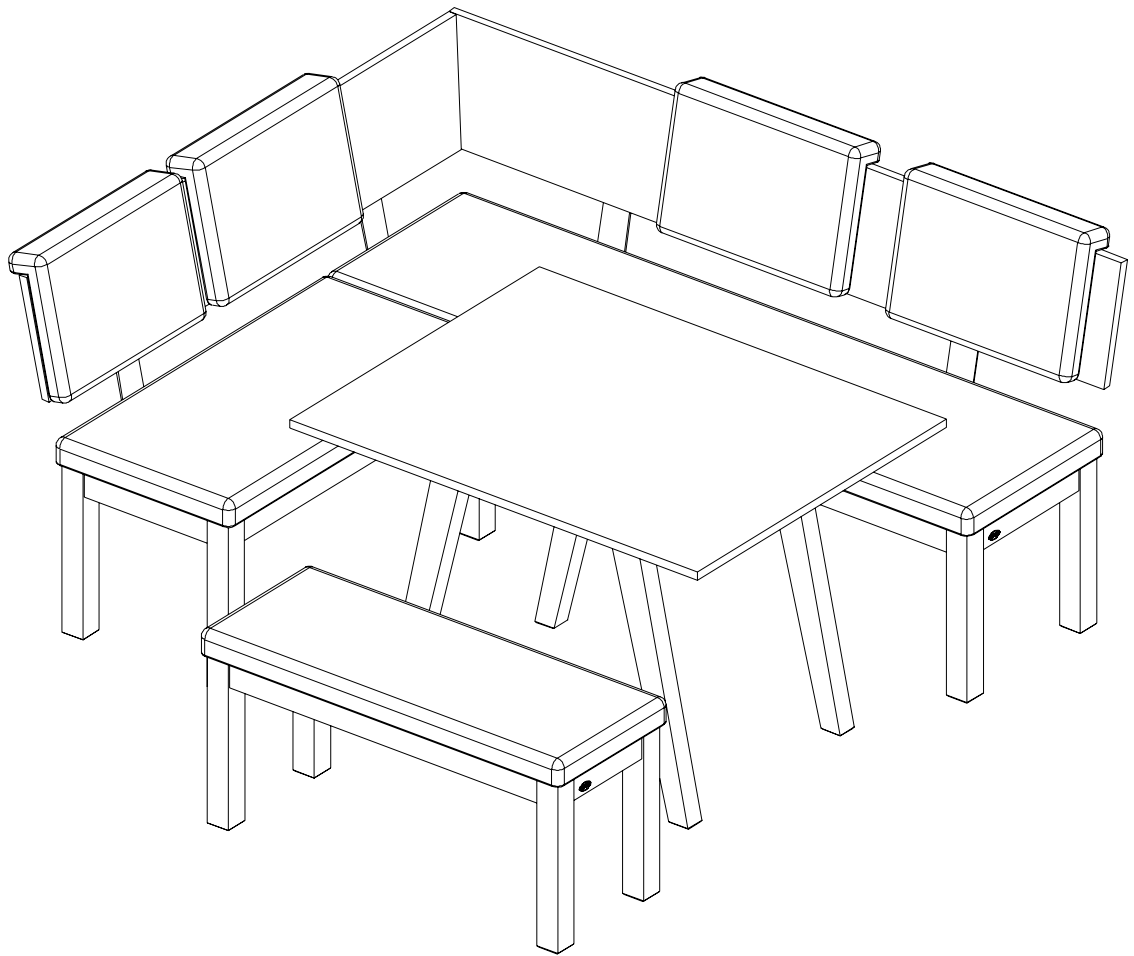
- Use indoors;
- Installation must be done on a regular floor without gaps;
- Allow a small space between the product and the wall to improve ventilation and to prevent moisture;
- The screws should be tightened regularly;

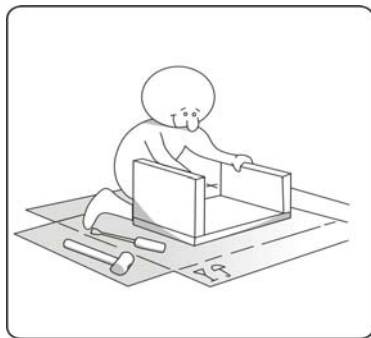
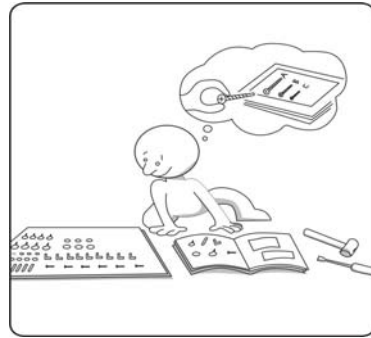
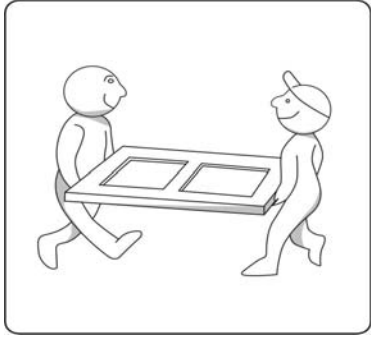
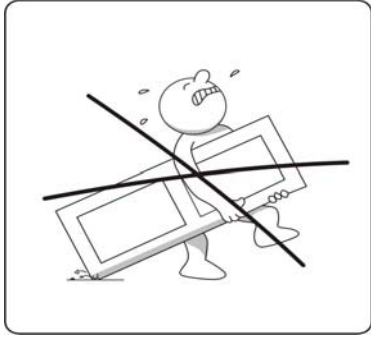
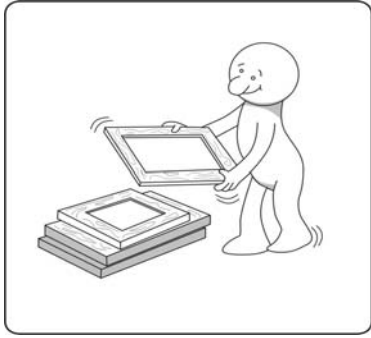
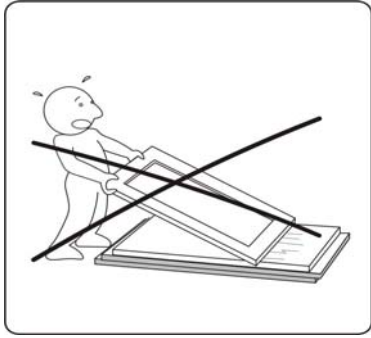
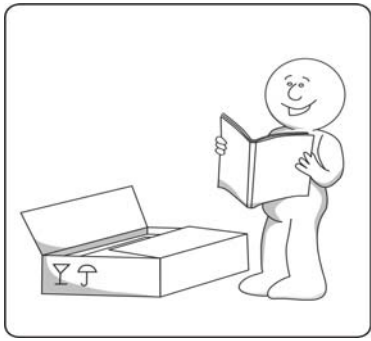
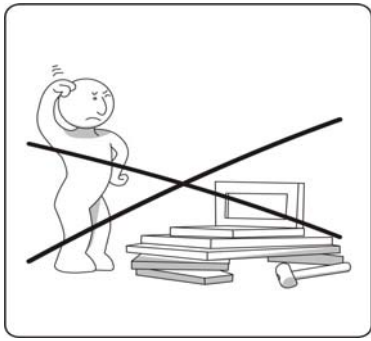
### CONSERVATION

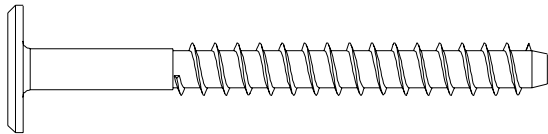
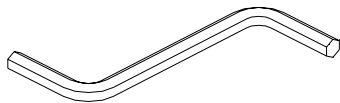
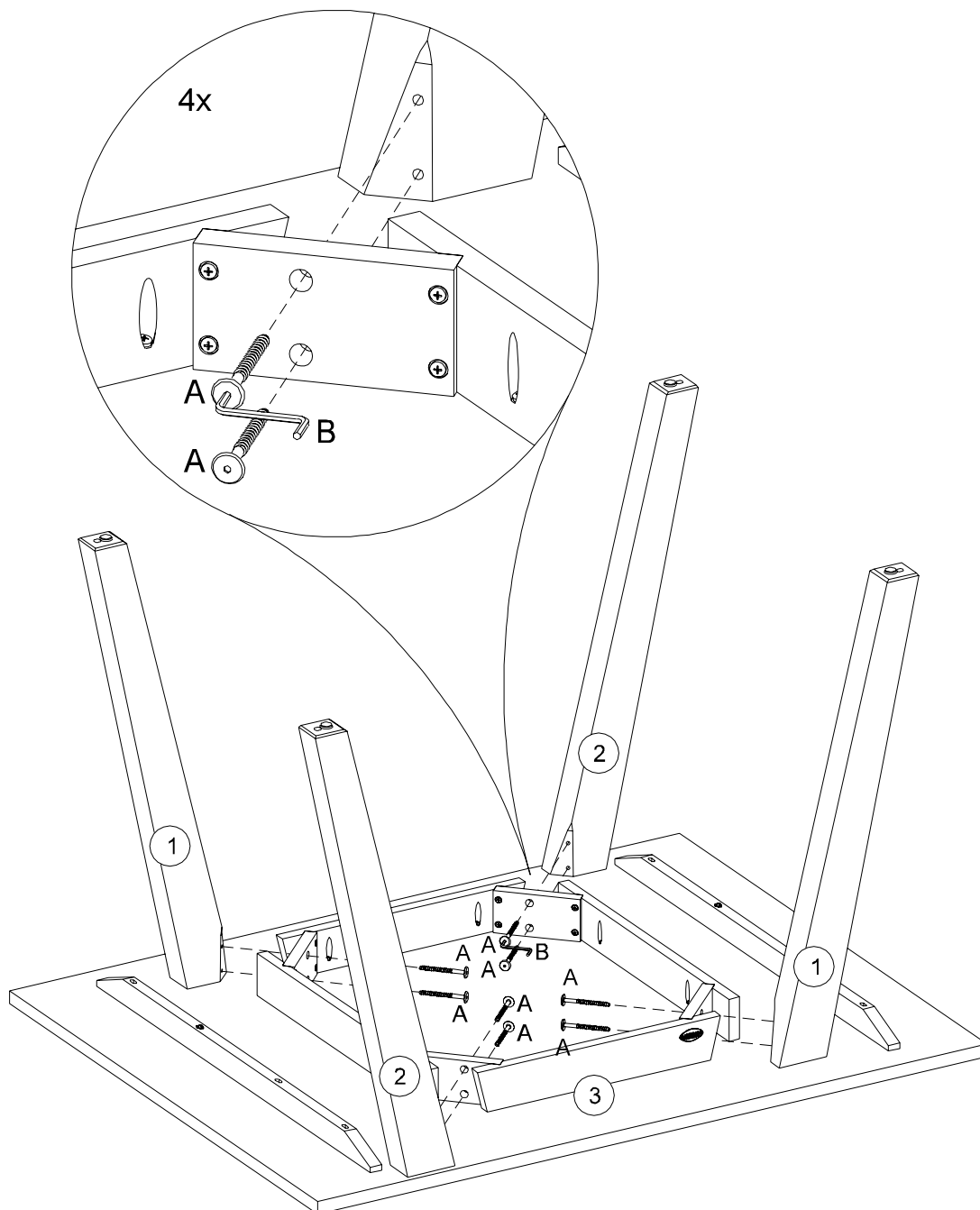
- Avoid exposing your furniture to moisture or direct sunlight, or other form of heat;
- Avoid dragging or hitting the product;
- Avoid contact with sharp objects;

### CLEANING

- Use a fabric slightly moistened in water
- Do not use alcohol, detergent or abrasive materials
- Clean immediately in case of liquid spill





**A****08****B****01****1**



## Recommendations For Use

Artefama's furniture is produced using solid pine wood from reforestation projects with no damage to the environment.

Wooden furniture have some specific characteristic, such as variation of the wood grains, color tone, textures, nodes of different shapes and sizes, small cracks and small gaps between joints that states that the furniture is made of authentic wood.

The timber is a natural product that can swell and shrink as a result of humidity and temperature. The coloring of the wood can also vary due to the influence of light and heat.

### ASSEMBLING

Before you get started, we recommend that you provide a clean, free of people traffic location, so you can organize the materials and tools for assembling. Start assembling the furniture on the cardboard of the packaging or on a blanket to protect the parts.

**WARNING:** Avoid the presence of children and pets during assembling because the product contains small parts that can be swallowed.

### INSTALLATION

- Use indoors;
- Installation must be done on a regular floor without gaps;
- Allow a small space between the product and the wall to improve ventilation and to prevent moisture;
- The screws should be tightened regularly;

### CONSERVATION

- Avoid exposing your furniture to moisture or direct sunlight, or other form of heat;
- Avoid dragging or hitting the product;
- Avoid contact with sharp objects;

### CLEANING

- Use a fabric slightly moistened in water
- Do not use alcohol, detergent or abrasive materials
- Clean immediately in case of liquid spill