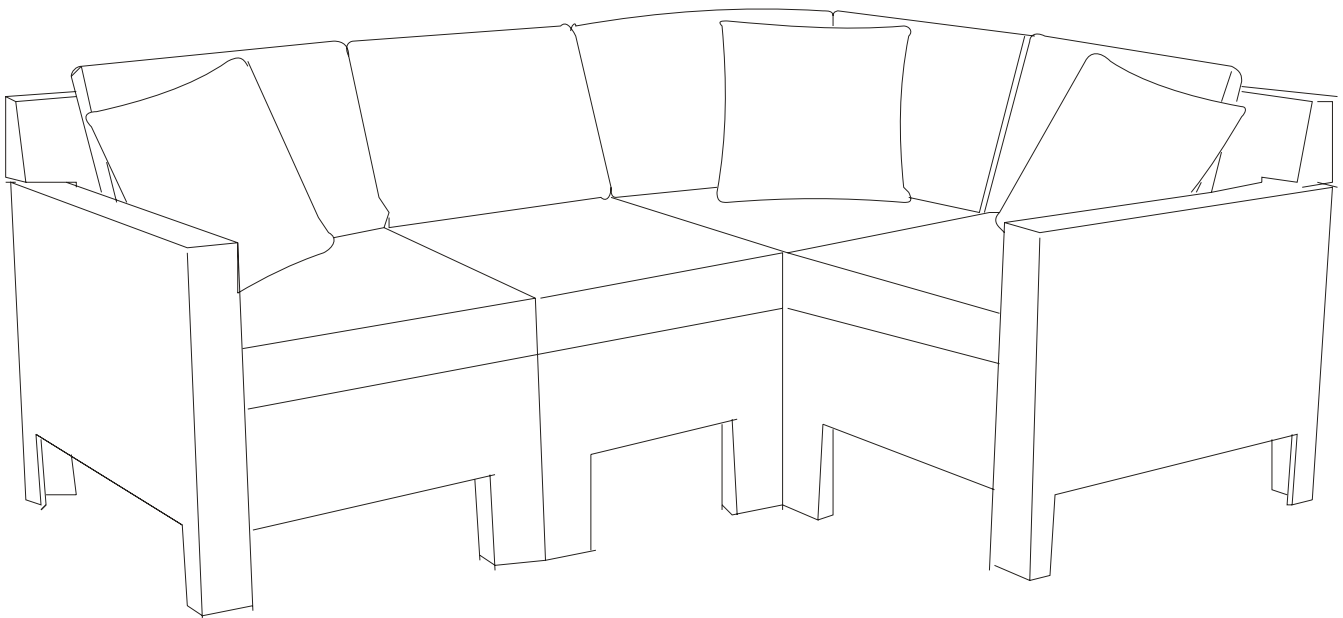




Item #
Model #

USE AND CARE GUIDE

BEVERLY 5-PIECE SECTIONAL SOFA SET



Questions, problems, missing parts? Before returning to the store,
call Hampton Bay Customer Service
8 a.m. - 6 p.m., EST, Monday-Friday

1-855-HD-HAMPTON

HAMPTONBAY.COM

THANK YOU

We appreciate the trust and confidence you have placed in Hampton Bay through the purchase of these chairs. We strive to continually create quality products designed to enhance your home. Visit us online to see our full line of products available for your home improvement needs. Thank you for choosing Hampton Bay!

Table of Contents

Table of Contents	2	Pre-Assembly	3
Safety Information	2	Planning Assembly.....	3
Set Up Your Furniture Properly.....	2	Hardware Included.....	3
Examine Your Furniture.....	2	Package Contents.....	4,5,6,7
Observe Weight Limits.....	2	Assembly	8,9,10,11,12
Warranty	2	Care and Cleaning	13
What is Covered.....	2		
What is Not Covered.....	2		

Safety Information

SET UP YOUR FURNITURE PROPERLY

- Ensure that all parts are assembled properly and fully tightened as per the instructions.
- When placing in the desired location, ensure that all legs are resting on the same surface. You may adjust the legs levelers as required to ensure that the item stands in a rigid position.

EXAMINE YOUR FURNITURE

- Examine occasionally to ensure that there are no loose parts. If loose parts are found, they must be re-tightened fully before additional use.

OBSERVE WEIGHT LIMITS

The weight limits for the following products are listed below:

- Chair: 300 lbs
- Swivel Chair: 300 lbs
- Loveseat: 500 lbs
- Ottoman: 150 lbs
- Table: 50 lbs



CAUTION: If you overload your furniture, injuries can occur.

Warranty

TWO YEAR FRAME, WEAVE AND FABRIC LIMITED WARRANTY

WHAT IS COVERED

We warrant the frame ,weave and fabric to be free of manufacturing defects to the original purchaser for two years.

WHAT IS NOT COVERED

It remains the customer's responsibility for freight and packaging charges to and from our service center. This warranty does not cover commercial use, hardware, acts of nature, fire, freezing and abusive use. In addition, purchased parts are not covered under this warranty. We reserve the right to make substitutions with similar merchandise, if the model in question is no longer in production.

Contact the Customer Service Team at 1-855-HD-HAMPTON or visit HAMPTONBAY.COM

Pre-Assembly

PLANNING ASSEMBLY

To prevent damage, place all parts on a soft surface during assembly. Remove all protective caps before beginning assembly.

HARDWARE INCLUDED



NOTE: Hardware not shown to actual size.



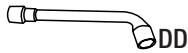
AA



BB



CC



DD

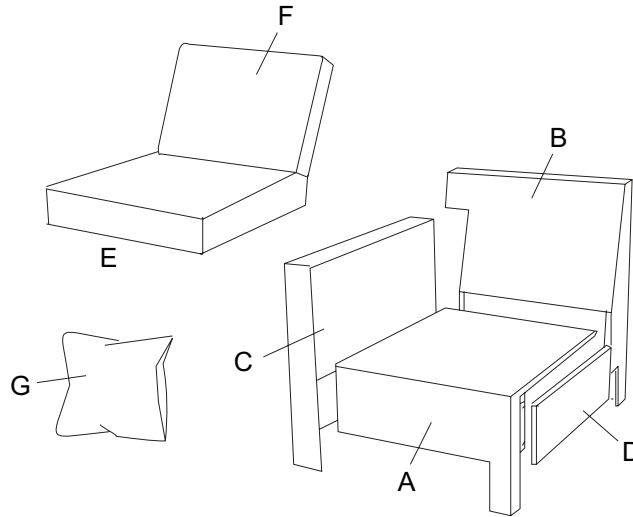


EE

Part	Description		Quantity
AA	Locking nut	φ 8 mm	43
BB	Washer	φ 8 mm	43
CC	Nut cap	φ 8 mm	43
DD	Wrench	#13	1
EE	U Shape connector		12

Pre-Assembly (continued)

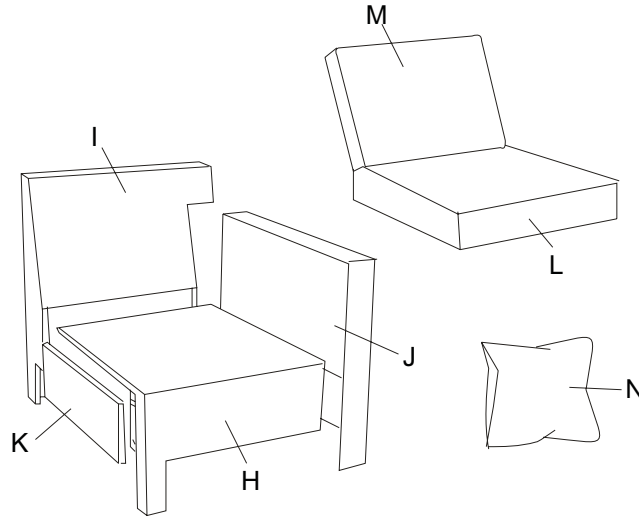
PACKAGE CONTENTS(RIGHT ARM CHAIR)



Part	Description	Quantity
A	Seat	1
B	Back	1
C	Right arm	1
D	Side skirt	1
E	Seat cushion	1
F	Back cushion	1
G	Pillow	1

Pre-Assembly (continued)

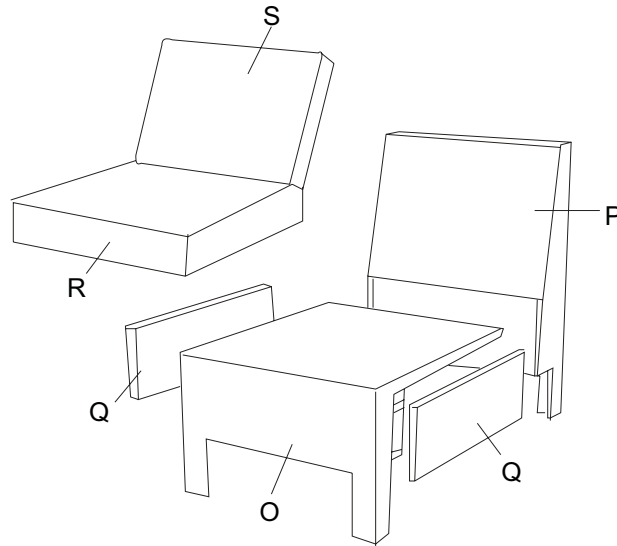
PACKAGE CONTENTS(LEFT ARM CHAIR)



Part	Description	Quantity
H	Seat	1
I	Back	1
J	Left arm	1
K	Side skirt	1
L	Seat cushion	1
M	Back cushion	1
N	Pillow	1

Pre-Assembly (continued)

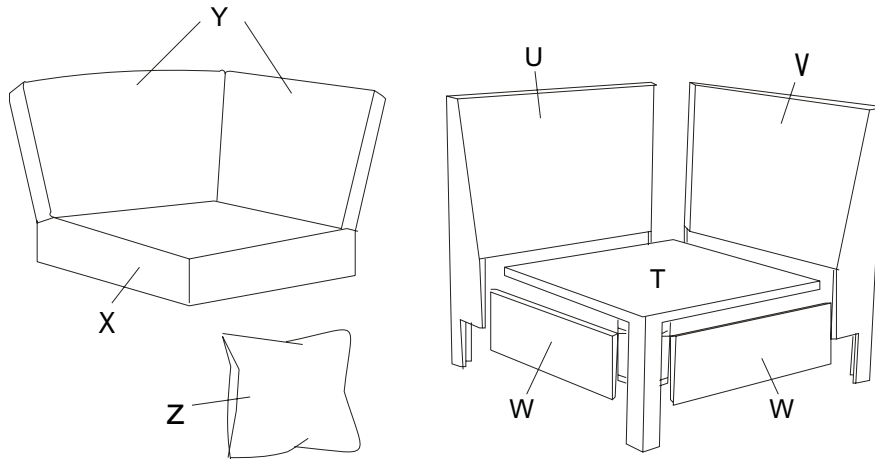
PACKAGE CONTENTS(MIDDLE CHAIR)



Part	Description	Quantity
O	Seat	1
P	Back	1
Q	Skirt	2
R	Seat cushion	1
S	Back cushion	1

Pre-Assembly (continued)

PACKAGE CONTENTS(CORNER CHAIR)

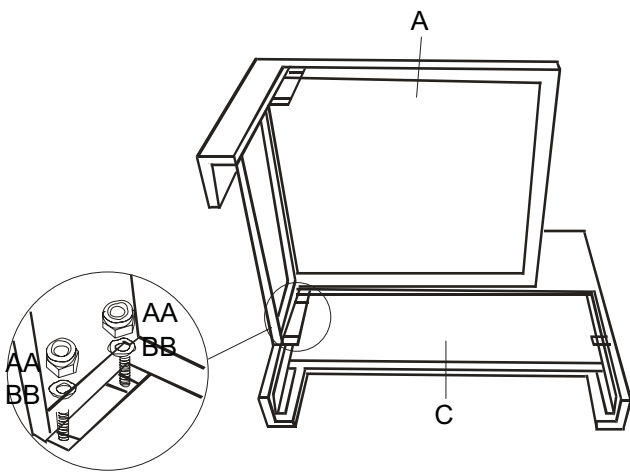


Part	Description	Quantity
T	Seat	1
U	Right back	1
V	Left back	1
W	Skirt	2
X	Seat cushion	1
Y	Back cushion	2
Z	Pillow	1

Assembly(Right arm chair)

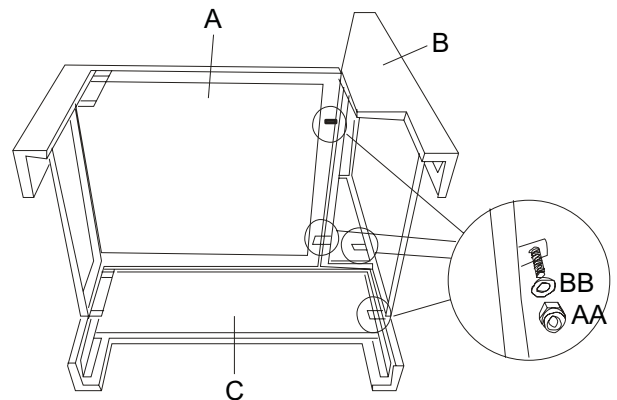
1 Attaching the right arm to the seat

- Place the right arm (C) on a soft surface.
- Place the seat (A) over the two bolts on the arm (C).
- Fasten with washers (BB) and locking nuts (AA) and hand-tighten.



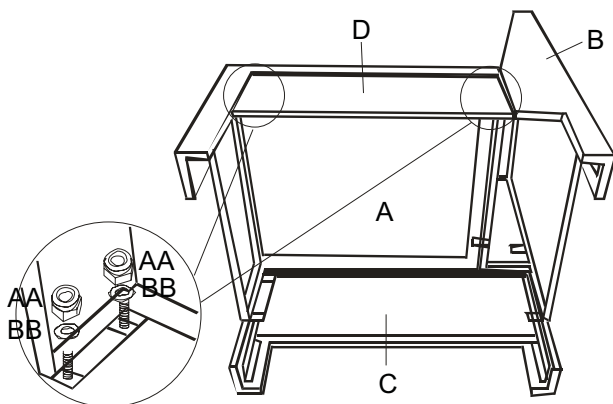
2 Attaching the back

- Place the back (B) onto the two bolts on the seat (A) and two bolts on the right arm (C).
- Fasten with washers (BB) and locking nuts (AA) and hand-tighten.



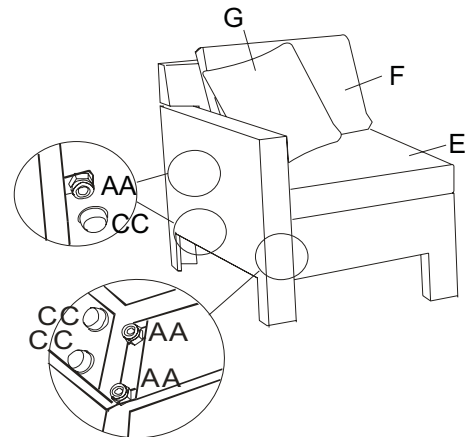
3 Attaching the side skirt

- Place the side skirt (D) over the four bolts on the seat (A) and back (B).
- Fasten with washers (BB) and locking nuts (AA) and hand-tighten.



4 Adding the caps

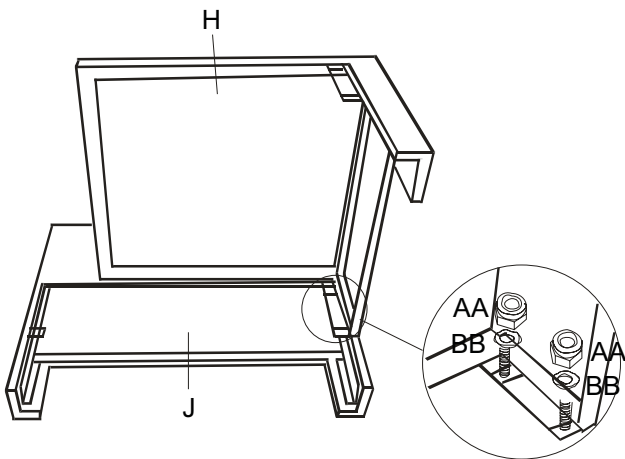
- Check and make adjustments as needed.
- Fully tighten all the nuts (AA) with the wrench (DD) and cover with the nut caps (CC).
- Place the seat cushion (E) and back cushion (F) and pillow (G) on the chair.
- This chair is now ready for your enjoyment.



Assembly(Left arm chair)

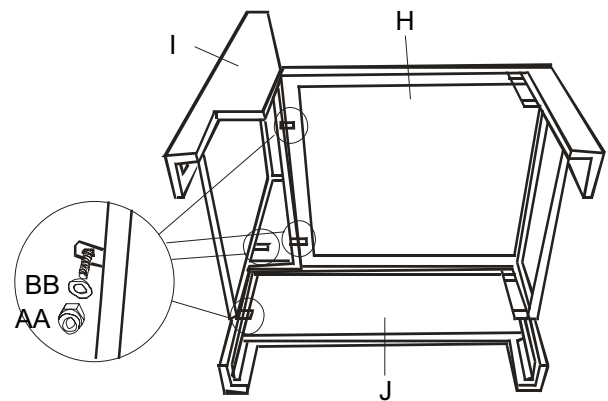
1 Attaching the left arm to the seat

- Place the left arm(J) on a soft surface.
- Place the seat (H) over the two bolts on the arm (J).
- Fasten with washers (BB) and locking nuts (AA) and hand-tighten.



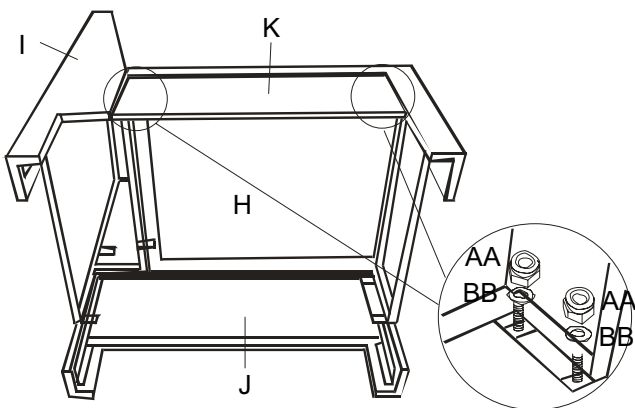
2 Attaching the back

- Place the back (I) onto the two bolts on the seat (H) and two bolts on the left arm (J).
- Fasten with washers (BB) and locking nuts (AA) and hand-tighten.



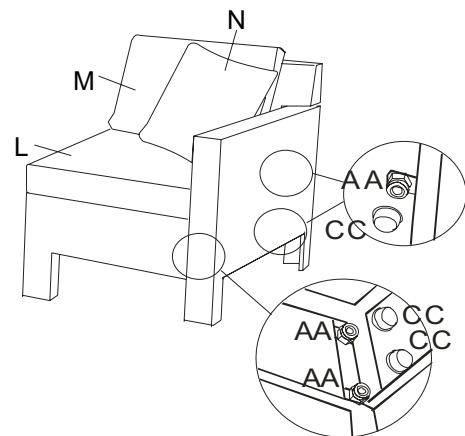
3 Attaching the side skirt

- Place the side skirt (K) over the four bolts on the seat (H) and back (I).
- Fasten with washers(BB) and locking nuts(AA) and hand-tighten.



4 Adding the caps

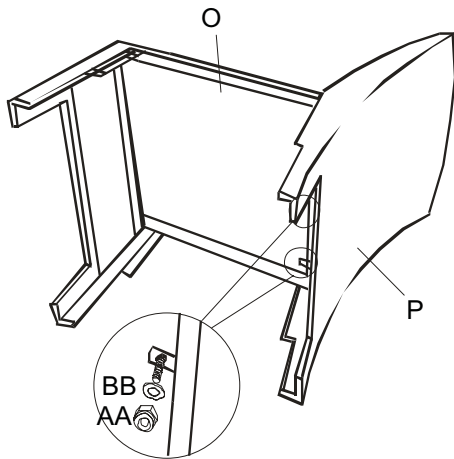
- Check and make adjustments as needed.
- Fully tighten all the nuts(AA) with the wrench(DD) and cover with the nut caps(CC).
- Place the seat cushion (L) and back cushion (M) and pillow (N) on the chair.
- This chair is now ready for your enjoyment.



Assembly(Middle chair)

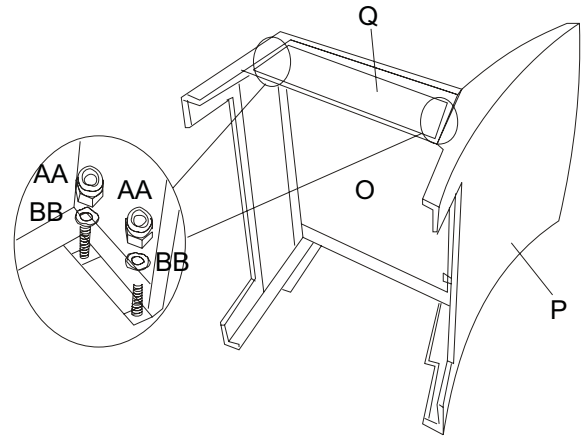
1 Attaching the back to the seat

- Place the back (P) on a soft surface.
- Place the seat (O) over the two bolts on the back (P).
- Fasten with washers (BB) and locking nuts (AA) and hand-tighten.



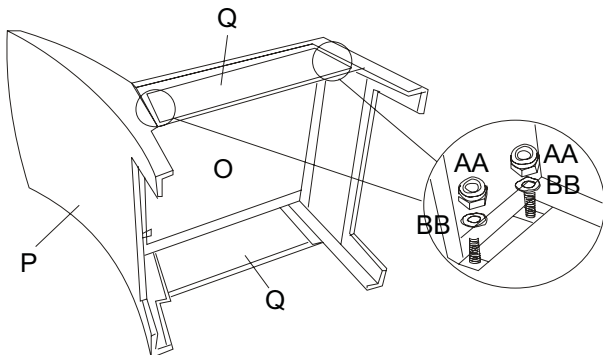
2 Attaching the side skirt

- Place one side skirt (Q) over the four bolts on the seat (O) and back (P).
- Fasten with washers (BB) and locking nuts (AA) and hand-tighten.



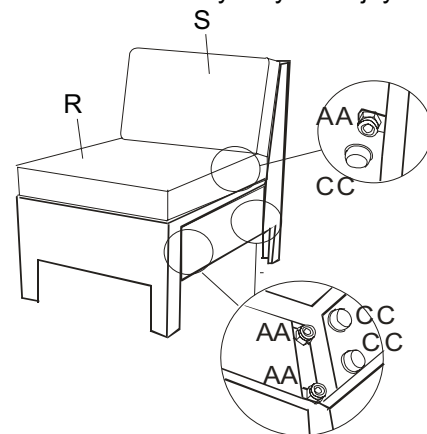
3 Attaching the other side skirt

- Place the other side skirt (Q) over the four bolts on the seat (O) and back (P).
- Fasten with washers (BB) and locking nuts (AA) and hand-tighten.



4 Adding the caps

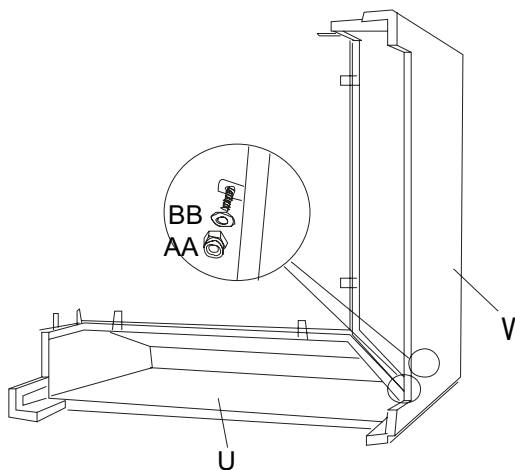
- Check and make adjustments as needed.
- Fully tighten all the nuts (AA) with the wrench (DD) and cover with the nut caps (CC).
- Place the seat cushion (R) and back cushion (S) on the chair.
- This chair is now ready for your enjoyment.



Assembly(Corner chair)

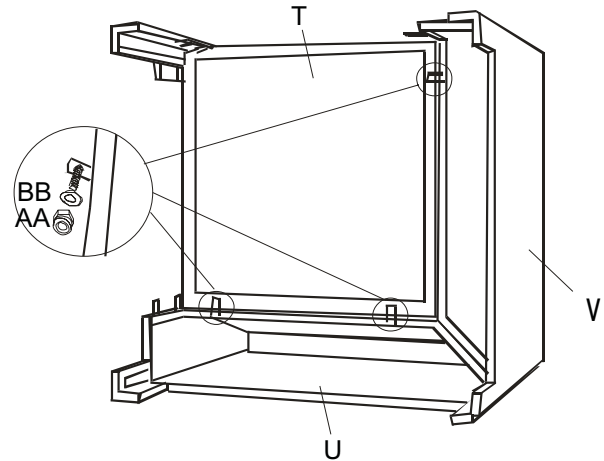
1 Attaching the back

- Place the right back (U) and left back (V) on a soft surface as shown.
- Fix the two bolts on the back legs.
- Fasten with washers (BB) and locking nuts (AA) and hand-tighten.



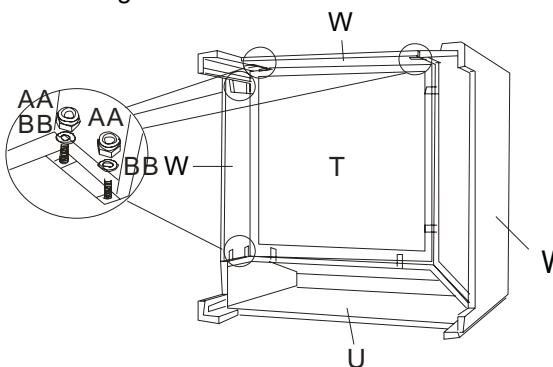
2 Attaching the seat to the back

- Place the seat (T) onto the three bolts on the back (U) and back (V).
- Fasten with washers (BB) and locking nuts (AA) and hand-tighten.



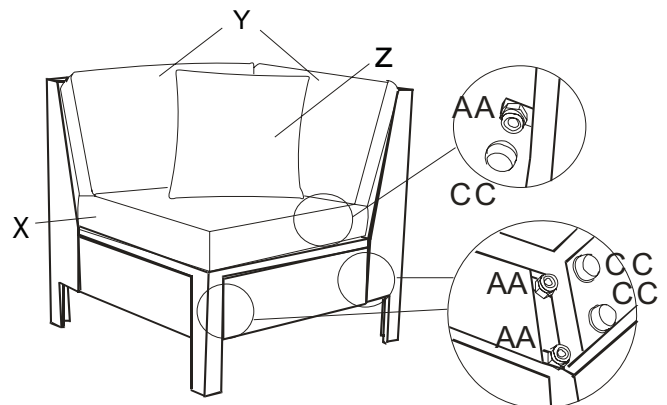
3 Attaching the side skirt

- Place one side skirt (W) over the four bolts on the seat (T) and back (U).
- Fasten with washers (BB) and locking nuts (AA) and hand-tighten.
- Place the other side skirt (W) over the four bolts on the seat (T) and back (V).
- Fasten with washers (BB) and locking nuts (AA) and hand-tighten.



4 Adding the caps

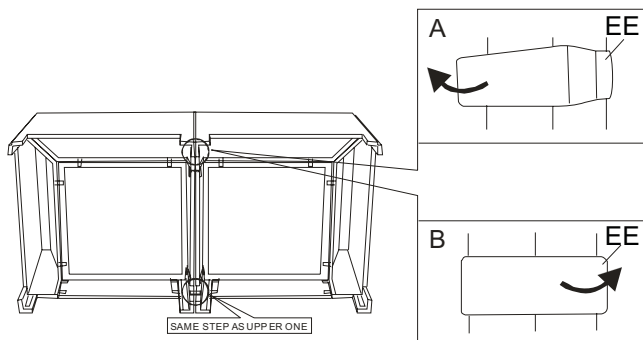
- Check and make adjustments as needed.
- Fully tighten all the nuts (AA) with the wrench (DD) and cover with the nut caps (CC).
- Place the seat cushion (X) and back cushion (Y) and pillow (Z) on the chair.
- This chair is now ready for your enjoyment.



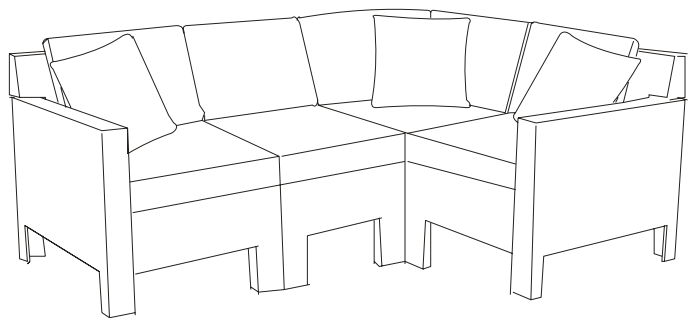
Assembly(U shape connector)

1

- As photo (A) shown, place oneside of the clip to sectional base first.
- As photo (B) shown , press another side of the clip to sectional base.



2



Care and Cleaning

- Wash the frame with a mild solution of soap and water, rinse with clean water, and dry thoroughly.
- If your set includes cushions or mesh fabrics, you may Scotchguard them to protect them from the elements. Cushions may also be cleaned by hand with a mild solution of soap and water. Rinse the cushion cover thoroughly and allow to drip dry. The back cushion and pillow should be spot cleaned with a soft cloth. Do not machine wash or tumble dry, as the cushions may shrink. Do not use bleach or solvents on fabrics. Never use cleaners that contain acid or abrasive materials.



Questions, problems, missing parts? Before returning to the store,
call Home Depot Customer Service
8 a.m. - 6 p.m., EST, Monday-Friday

1-855-HD-HAMPTON

HAMPTONBAY.COM

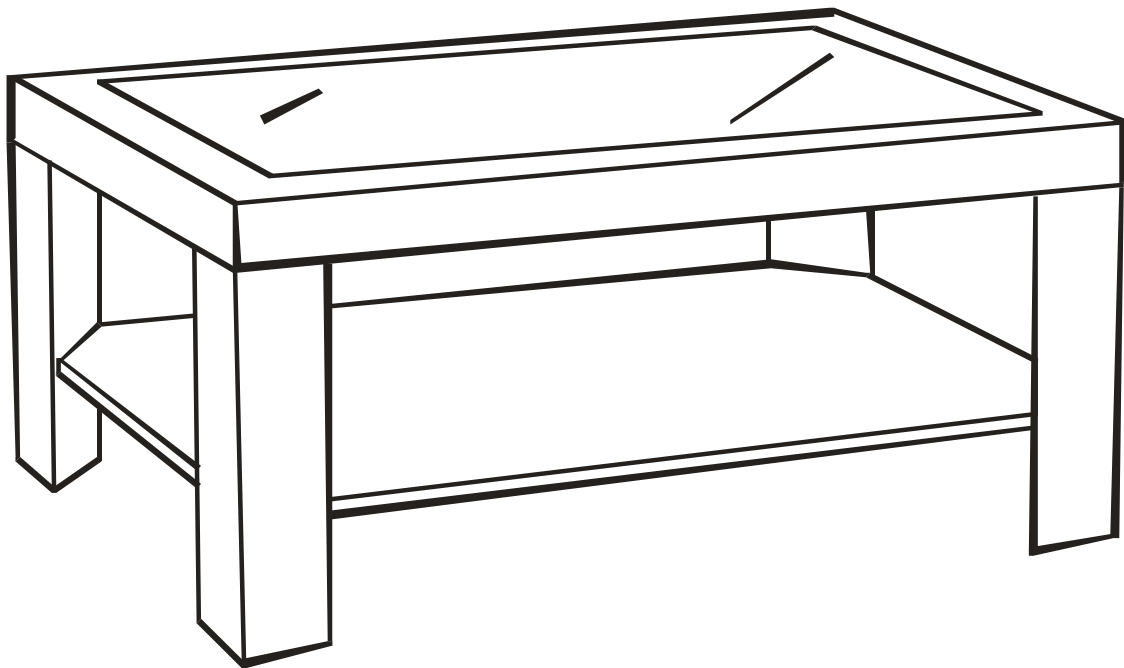
Retain this manual for future use.



Item #
Model #

USE AND CARE GUIDE

BEVERLY 5-PIECE SECTIONAL COFFEE TABLE



Questions, problems, missing parts? Before returning to the store,
call Hampton Bay Customer Service
8 a.m. - 6 p.m., EST, Monday-Friday

1-855-HD-HAMPTON

HAMPTONBAY.COM

THANK YOU

We appreciate the trust and confidence you have placed in Hampton Bay through the purchase of this table. We strive to continually create quality products designed to enhance your home. Visit us online to see our full line of products available for your home improvement needs. Thank you for choosing Hampton Bay!

Table of Contents

Table of Contents.....	2	Pre-assembly	3
Safety Information.....	2	Planning Assembly.....	3
Set Up Your Furniture Properly	2	Hardware Included.....	3
Examine Your Furniture	2	Package Contents	4
Observe Weight Limits	2	Assembly	5
Warranty.....	2	Care and Cleaning	6
What is Covered	2		
What is Not Covered	2		

Safety Information

SET UP YOUR FURNITURE PROPERLY

- Ensure that all parts are assembled properly and fully tightened as per the instructions.
- When placing in the desired location, ensure that all legs are resting on the same surface. You may adjust the legs levelers as required to ensure that the item stands in a rigid position.

EXAMINE YOUR FURNITURE

- Examine occasionally to ensure that there are no loose parts. If loose parts are found, they must be re-tightened fully before additional use.

OBSERVE WEIGHT LIMITS

The weight limits for the following products are listed below:

- Chair: 300 lbs
- Swivel Chair: 300 lbs
- Loveseat: 500 lbs
- Ottoman: 150 lbs
- Table: 50 lbs



CAUTION: If you overload your furniture, injuries can occur.

Warranty

TWO YEAR FRAME, WEAVE AND FABRIC LIMITED WARRANTY

WHAT IS COVERED

We warrant the frame ,weave and fabric to be free of manufacturing defects to the original purchaser for two years.

WHAT IS NOT COVERED

It remains the customer's responsibility for freight and packaging charges to and from our service center. This warranty does not cover commercial use, hardware, acts of nature, fire, freezing and abusive use. In addition, purchased parts are not covered under this warranty. We reserve the right to make substitutions with similar merchandise, if the model in question is no longer in production.

Contact the Customer Service Team at 1-855-HD-HAMPTON or visit HAMPTONBAY.COM

Pre-Assembly

PLANNING ASSEMBLY

To prevent damage, place all parts on a soft surface during assembly. Remove all protective caps before beginning assembly.

HARDWARE INCLUDED



NOTE: Hardware not shown to actual size.



AA



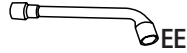
BB



CC



DD



EE

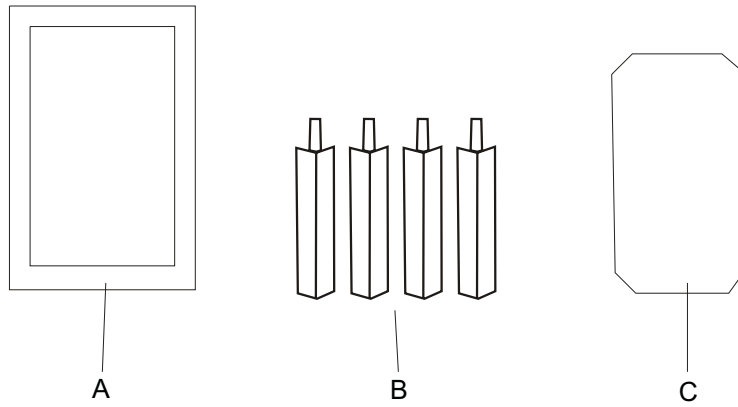


FF

Part	Description		Quantity
AA	Locking nut	Φ 8 mm	4
BB	Washer	Φ 8 mm	4
CC	Nut cap	Φ 8 mm	4
DD	Bolt	Φ 8x12 mm	4
EE	Wrench	#13	1
FF	Hex wrench	5 mm	1

Pre-Assembly (continued)

PACKAGE CONTENTS

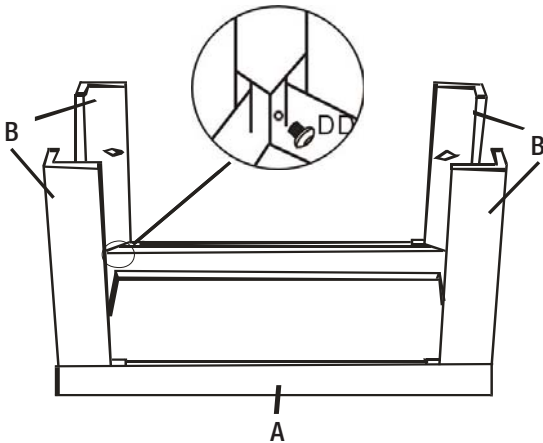


Part	Description	Quantity
A	Table top	1
B	Legs	4
C	Lower shelf	1

Assembly

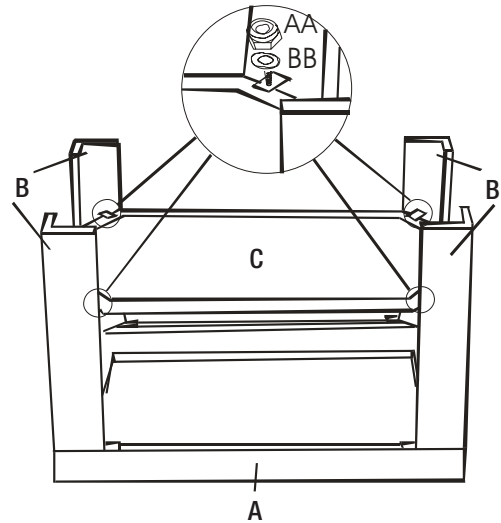
1 Attaching the legs to the top

- Place the top (A) on a soft surface.
- Put the legs (B) metal side into the four holes of top (A).
- Attention:the legs (B) must be putted as photos requested.
- Fasten with bolts (DD) and hand-tighten.



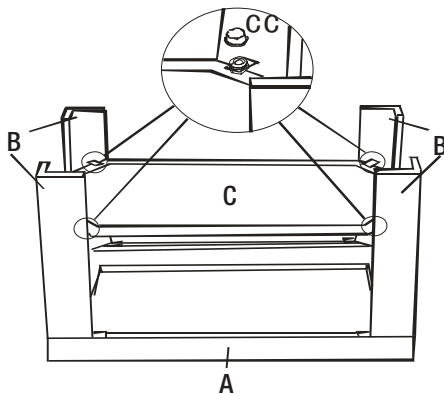
2 Attaching the shelf to the legs

- Fix the bolts on the shelf (C).
- Fasten with washers (BB) and locking nuts (AA) and hand-tighten.



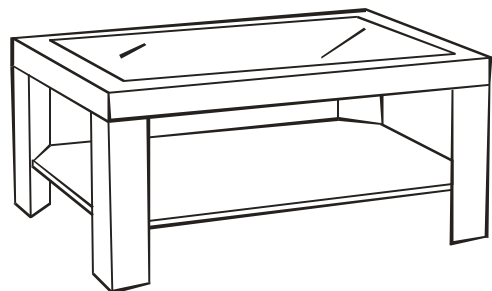
3 Adding the caps

- Check and make adjustments as needed.
- Fully tighten all the nuts (AA) with the wrench (EE) and cover with the nut caps (CC).
- Fully tighten all the bolts (DD) with the Hex wrench (FF).
- Adjust the leg levelers as required.



4

- This table is now ready for your enjoyment.



Care and Cleaning

- Wash the frame with a mild solution of soap and water, rinse with clean water, and dry thoroughly.
- If your set includes cushions or mesh fabrics, you may Scotchguard them to protect them from the elements. Cushions may also be cleaned by hand with a mild solution of soap and water. Rinse the cushion cover thoroughly and allow to drip dry. The back cushion and pillow should be spot cleaned with a soft cloth. Do not machine wash or tumble dry, as the cushions may shrink. Do not use bleach or solvents on fabrics. Never use cleaners that contain acid or abrasive materials.



Questions, problems, missing parts? Before returning to the store,
call Home Depot Customer Service
8 a.m. - 6 p.m., EST, Monday-Friday

1-855-HD-HAMPTON

HAMPTONBAY.COM

Retain this manual for future use.