



Glacier Ice Faucet and Sink professional sealer kit will not only restore sinks, faucets and shower doors from mineral buildup and hard water spots, it will also protect from future corrosion, oxidation, mold and mildew. Treats up to 100 square feet.

How should I care for my Novatto Faucet?

For the absolute best cleaning results seal and clean your faucet with Glacier Ice. This will help to seal the faucet and prevent hard water spots and mineral build up. It also has a patented formula for removing oxidation and mineral build up. Do not use cleaners containing abrasive cleansers, ammonia, bleach, acids, waxes, alcohol or other solvents. Use a soft cloth or sponge and rinse with soap and water. Rinse and dry any excess cleaner which may land on adjacent surfaces. The effectiveness of all cleaners depends on factors like water hardness, temperature and condition of product being cleaned.

FAQs

How far back from the edge of the sink should the faucet hole be drilled?

The distance depends on the type of faucet used with the sink. Typically 1-3-inches is ideal.

Are replacement parts available?

Yes, they sure are. We carry replacement parts for all of our faucets. Parts are available free of charge when covered under warranty.

Do your faucets have a lifetime warranty?

Yes, all of our faucets carry a Limited Lifetime Warranty.

Where should the faucet hole be placed?

The placement of the faucet is a matter of preference, most faucets, however, are centered to the sink's drain. Also make sure there is clearance between the back-splash and the faucet's handle.

What type of cartridge does the faucet have?

All Novatto faucets use a high pressure ceramic cartridge.

More questions? Feel free to contact our technical support team, Monday - Friday 8:00 a.m. - 5 p.m., MT, P: 844.404.4242, or email us at: support@novattoinc.com. More info is also available on our website.

THANK YOU

We would like to take this opportunity to thank you for choosing Novatto. We hope you are truly satisfied with our product(s) and enjoy it for years to come. As a small business, we learn the most from you, the customer. Please visit the link to the right, leave us a review with some pictures and we'll reward you with a \$25 Amazon or Visa gift card.

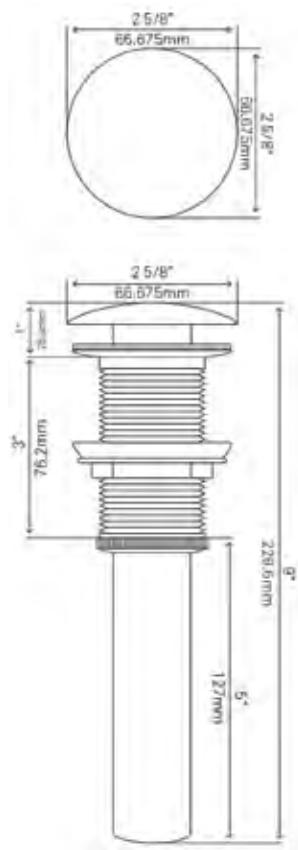
It's easy as...

- Go to novattoinc.com
- In the top left, click "product registration and review"
- Find your product model
- Review, submit... enjoy!

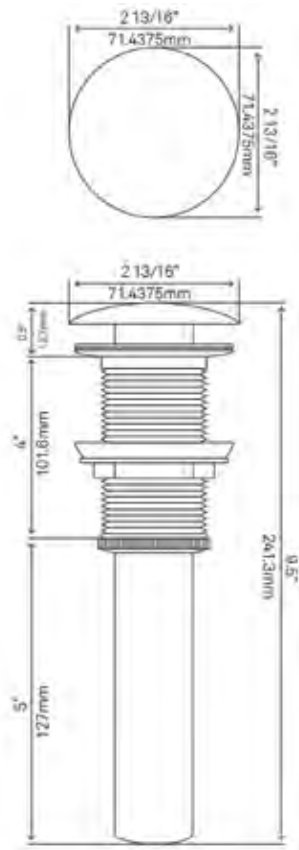
NOVATTO
WHERE STYLE FLOWS

Novatto | P: 844.404.4242
support@novattoinc.com
NovattoInc.com

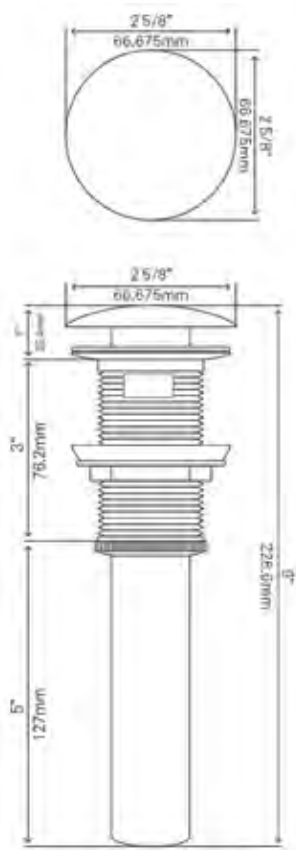




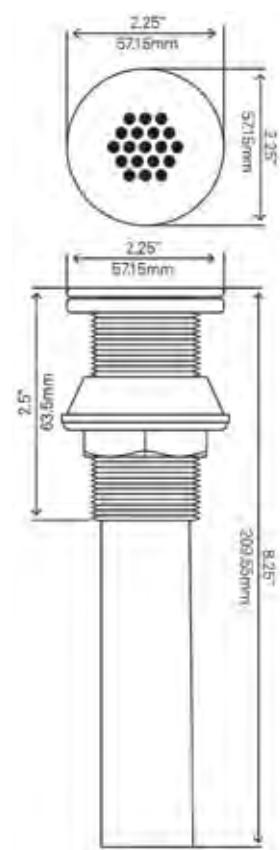
Pop-up Drains (w/o Overflow):
PUD-BN • PUD-CH • PUD-ORB



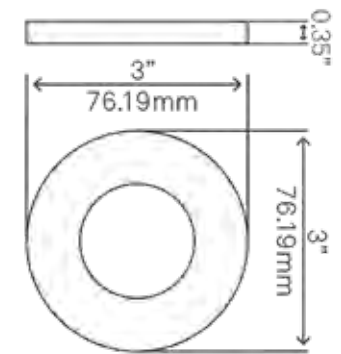
Umbrella Drains (w/o Overflow):
UPD-BN • UPD-CH • UPD-ORB



Pop-up Drains (w/ Overflow):
PUD-BN-O • PUD-CH-O • PUD-ORB-O



Strainer Drains:
STD-BN • STD-CH • STD-ORB



Mounting Rings:
MR-001BN • MR-001CH • MR-001ORB

What drain do you recommend for my vessel sink?

We recommend using pop-up drains with our glass and porcelain sinks; umbrella drains with our stone; and strainer drains with our copper bath sinks. Some of our porcelain sinks need a drain with overflow.

What size hole is needed?

Our pop-up and umbrella drains ideally need a 1.625 inch counter hole. The grid-strainers need a 1.5 inch countertop hole.

Do these drains have a warranty? May I use a drain or mounting ring from another vendor?

Yes, they all have a Limited Lifetime Warranty.

Yes, drains and mounting rings from other vendors will work with Novatto's drains and mounting rings. To ensure the finishes match, we recommend buying both items from the same vendor.

Do I need a mounting ring?

They are only necessary for our glass vessel sinks. Our stone, copper and porcelain sinks do not need one.

More questions? Feel free to contact our technical support team anytime. More info is also available on our website.

Novatto | P: 844.404.4242
support@novattoinc.com
NovattoInc.com

NOVATTO
WHERE STYLE FLOWS