



Features

- Integral flange.
- Left drain.
- Textured bottom surface.
- Integral apron.
- 60" (1524 mm) x 32" (813) x 17" (432 mm)

Material

- Acrylic

Installation

- Alcove
- Install footprint is 38" (965 mm) wide at center of apron.

Recommended Accessories

K-7161-AF Bath Drain

K-7213 27" Cable Bath Drain

K-7214 27" Cable Bath Drain



Codes/Standards

CSA B45.5/IAPMO Z124

ASTM E162

ASTM E662




Greenguard UL 2818 - Gold

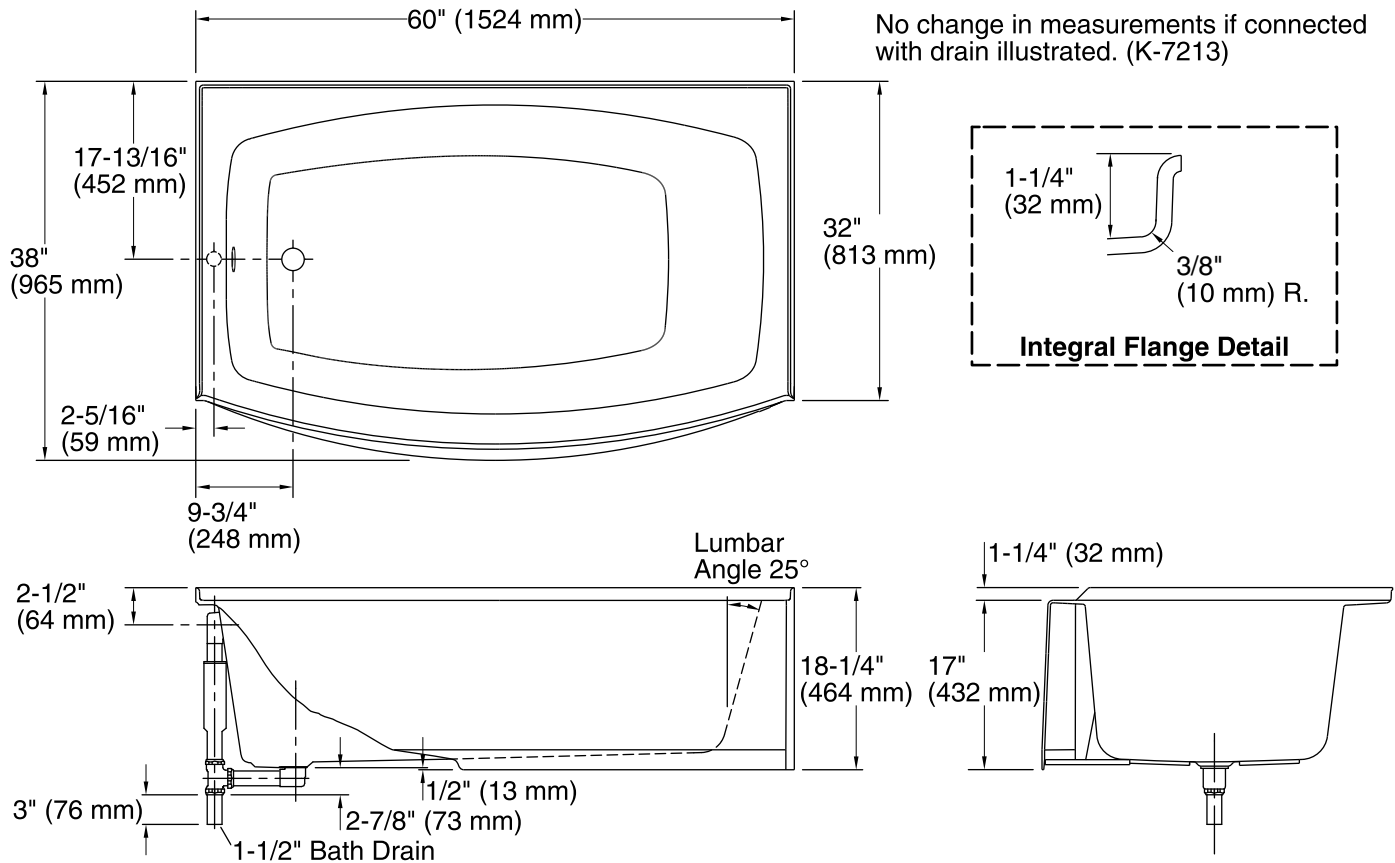
KOHLER® One-Year Limited Warranty

See website for detailed warranty information.

Available Color/Finishes

Color tiles intended for reference only.

Color	Code	Description
	0	White
	96	Biscuit
	47	Almond



Technical Information

All product dimensions are nominal.

Installation:	3-Wall Alcove
Drain location:	Left
Basin area, bottom:	45-11/16" x 27-5/8" (1160 mm x 702 mm)
Basin area, top:	54" x 31" (1372 mm x 787 mm)
Weight:	78 lbs (35.4 kg)
Minimum floor load:	38 lbs/ft ² (185.5 kg/m ²)
Water depth:	12-5/8" (321 mm)
Water capacity:	60 gal (227.1 L)

Notes

Measure your actual product for rough-in details.

Install this product according to the installation instructions.

The hot water supply should be 70% of the capacity of the bath or greater. Installations will vary.