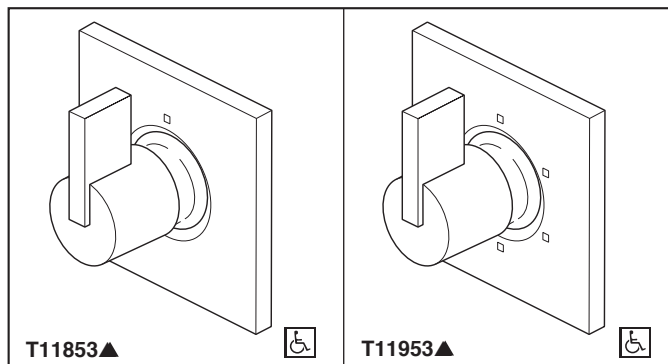




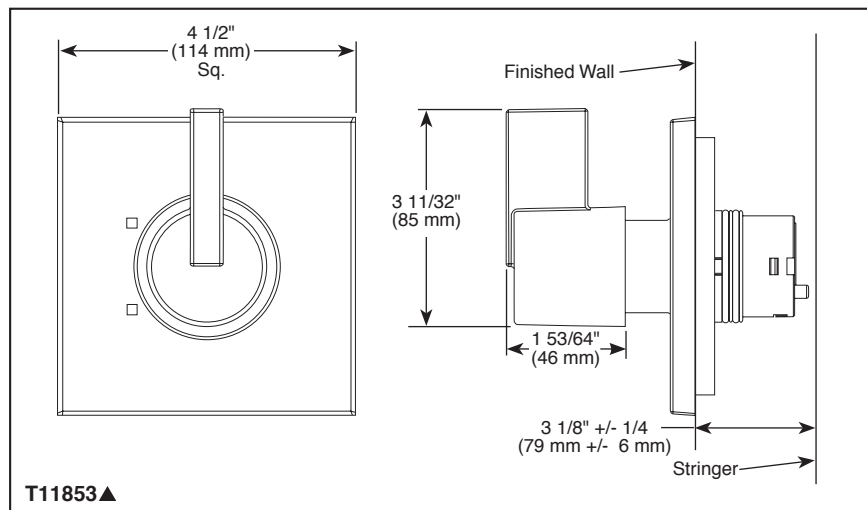
# CUSTOM SHOWER DIVERTER

- **Vero™ Collection**
- **Three Function Diverter Trim (T11853)**
- **Six Function Diverter Trim (T11953)**
- **Coordinates With All Delta Vero Styled Bath Suites**



Submitted Model No.: \_\_\_\_\_

Specific Features: \_\_\_\_\_

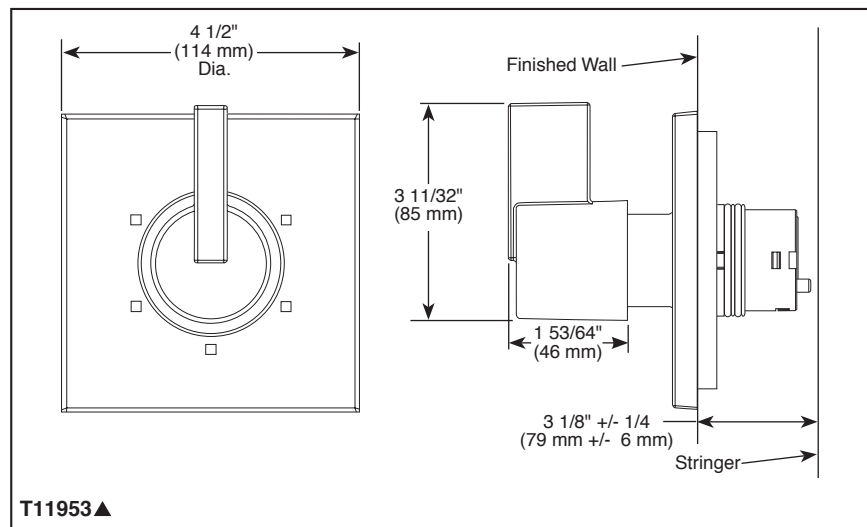


## STANDARD SPECIFICATIONS

- Three function diverter 2 individual positions, 1 shared position.
- Six function diverter 3 individual positions, 3 shared positions.
- 1/2" rough-in.
- Must also order R1 1000 rough-in.
- Two individual positions, no shared positions order cartridge RP71717.
- Three individual positions, no shared positions order cartridge RP71718.

## WARRANTY

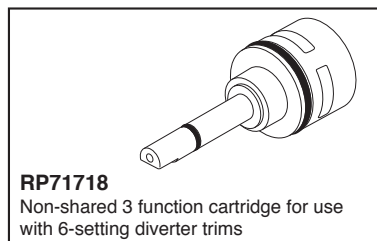
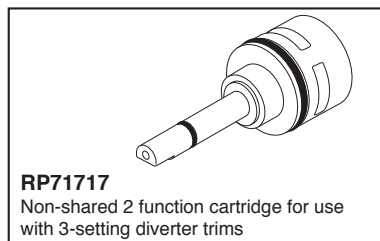
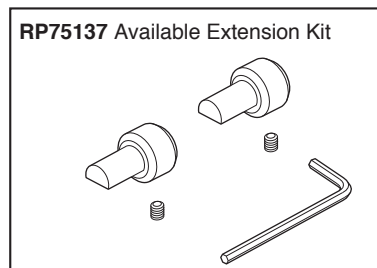
- Lifetime limited warranty on parts (other than electronic parts and batteries) and finishes; or, for commercial users, for 5 years from date of purchase.
- 5 year limited warranty on electronic parts (other than batteries); or, for commercial users, for 1 year from the date of purchase. No warranty is provided on batteries.



## COMPLIES WITH:

- ASME A112.18.1 / CSA B125.1

Indicates compliance to ICC/ANSI A117.1



▲ Designate proper finish suffix

Delta reserves the right (1) to make changes in specifications and materials, and (2) to change or discontinue models, both without notice or obligation. Dimensions are for reference only. See current full-line price book or [www.deltafaucet.com](http://www.deltafaucet.com) for finish options and product availability.

DSP-B-T11853 Rev. C



55 E. 111th Street, Indianapolis, Indiana 46280  
350 South Edgeware Road, St. Thomas, Ontario Canada N5P 4L1  
© 2013 Masco Corporation of Indiana