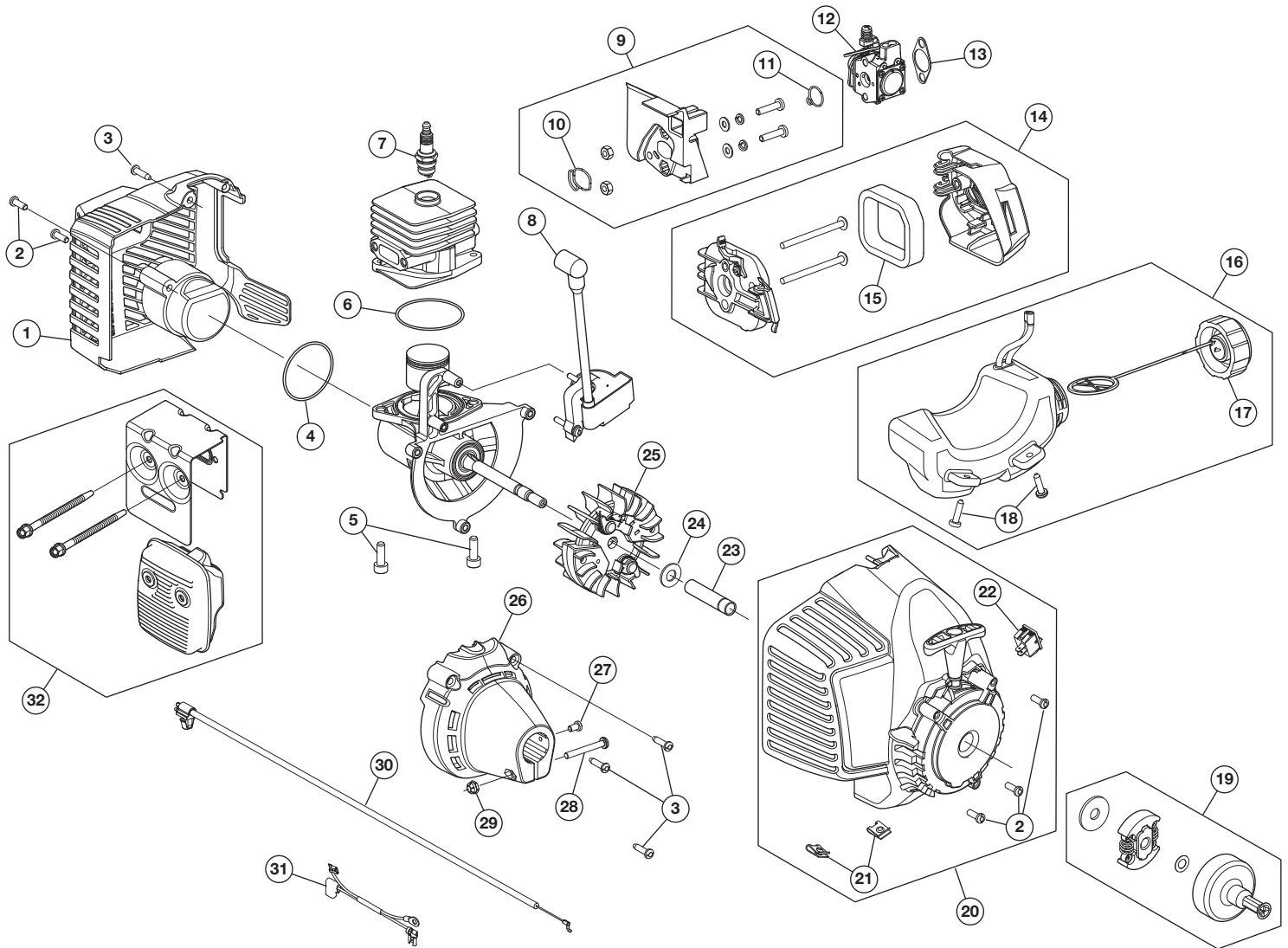


REPLACEMENT PARTS - MODEL RM2510

2-CYCLE TRIMMER

PPN 41DD110G983



| Item | Part No. | Description |
|------|------------|--|
| 1 | 753-06919 | Rear Cover Assembly (includes 2 & 3) |
| 2 | 791-181862 | Housing Screw |
| 3 | 791-181345 | Cover Screw |
| 4 | 753-06174 | O-Ring |
| 5 | 791-182723 | Crankcase Bolt |
| 6 | 753-06275 | Crankcase O-Ring |
| 7 | 753-06847 | Spark Plug |
| 8 | 753-06443 | Module Assembly |
| 9 | 753-06189 | Insulator Assembly (includes 10 & 11) |
| 10 | 753-06184 | Insulator O-Ring |
| 11 | 753-06185 | Carburetor O-Ring |
| 12 | 753-06423 | Carburetor |
| 13 | 753-06253 | Air Cleaner Gasket |
| 14 | 753-06415 | Air Cleaner Cover Assembly (includes 15) |
| 15 | 753-06417 | Air Cleaner Filter |
| 16 | 753-06921 | Fuel Tank Assembly (includes 17 & 18) |
| 17 | 791-182612 | Fuel Tank Cap |
| 18 | 9206A | Fuel Tank Screw |

| Item | Part No. | Description |
|------|------------|---------------------------------------|
| 19 | 753-05860 | Starter Clutch Assembly |
| 20 | 753-08547 | Starter Housing (includes 2, 21 & 22) |
| 21 | 791-182366 | U-shaped Nut |
| 22 | 791-182405 | Switch Assembly |
| 23 | 753-06218 | Spacer |
| 24 | 753-06247 | Washer |
| 25 | 753-06175 | Flywheel Assembly |
| 26 | 753-06181 | Clutch Cover (includes 3) |
| 27 | 791-182519 | Anti-rotation Screw |
| 28 | 9689A | Clamp Screw |
| 29 | 712-0161 | Clamp Nut |
| 30 | 746-05231 | Throttle Cable |
| 31 | 794-00127A | Lead Wires |
| 32 | 753-06418 | Muffler Assembly |

* Items Not Shown

* 753-08347 Short Block Assembly (includes Crankcase, Cylinder, Piston, 4 - 8 & 23 - 25)

REPLACEMENT PARTS - MODEL RM2510

2-CYCLE TRIMMER

PPN 41DD110G983

| Item | Part No. | Description |
|------|-----------------|---|
| 1 | 753-08543 | Throttle Housing Assembly (includes 2 & 3) |
| 2 | 791-182690 | Throttle Trigger Spring |
| 3 | 753-06791 | Throttle Trigger |
| 4 | 753-08685 | Upper Shaft Housing Assembly |
| 5 | 753-08042 | D-Handle (includes 6) |
| 6 | 753-06040 | D-Handle Bolt |
| 7 | 710-06562 | Screw |
| 8 | 753-08687 | Lower Shaft Housing Assembly |
| 9 | 753-04282 | Shield Mounting Hardware |
| 10 | 753-06200 | Shield Assembly (includes 11) |
| 11 | 753-06803 | Blade Assembly |
| 12 | 753-04284 | Outer Spool Assembly (includes 13) |
| 13 | 791-610660 | Retainer |
| 14 | 791-610317B | Spring |
| 15 | 753-1155 | Inner Reel |
| 16 | 791-153066B | Bump Head Knob Assembly |
| * | Items Not Shown | |
| * | 753-1156 | Reel & Line Assembly |

