

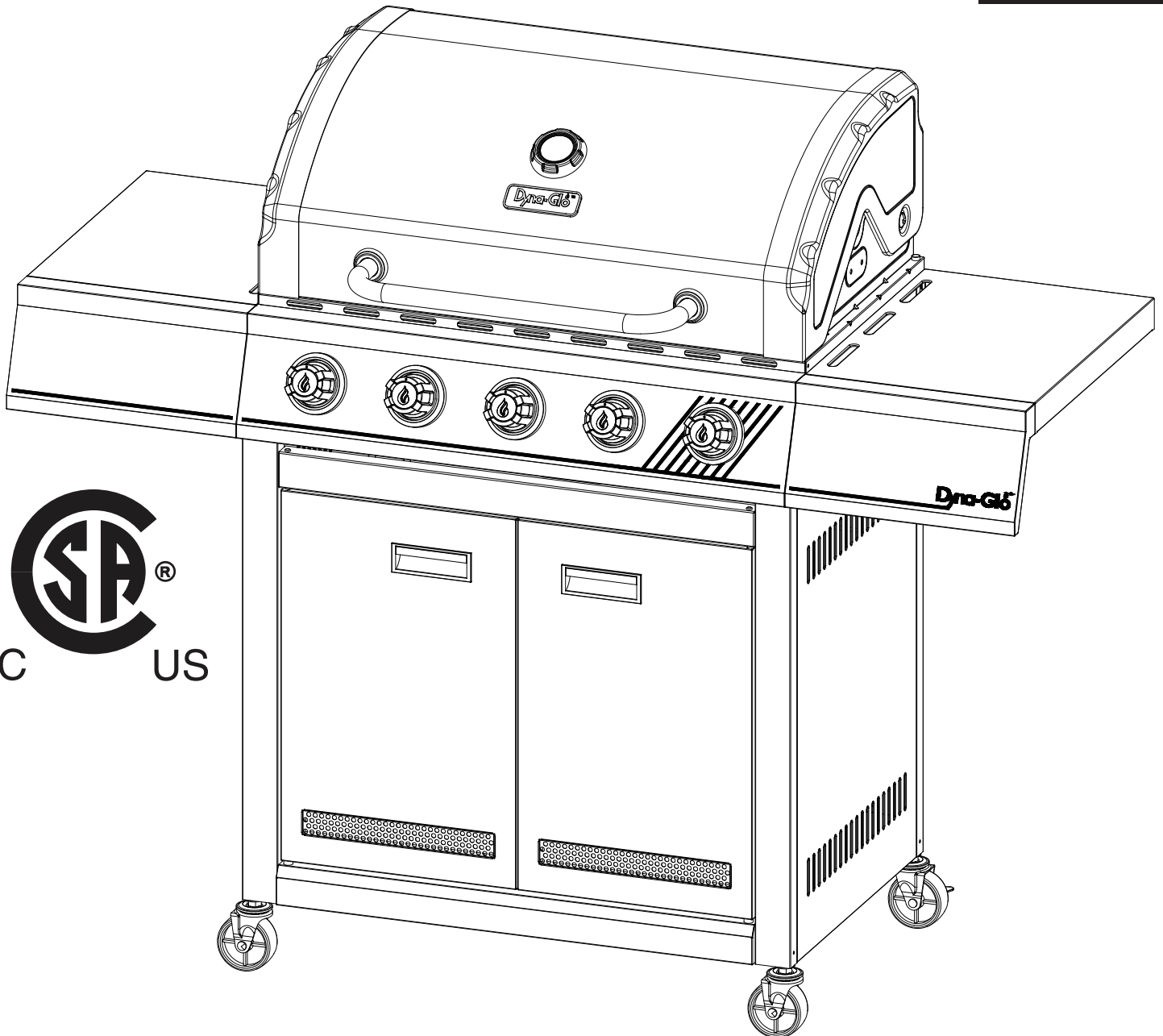
Dyna-Glo®

5-BURNER LP GAS GRILL WITH SEAR STATION

Model #DGH483CRP/DGH483CRP-D

Français p. 33

Español p. 65



ATTACH YOUR RECEIPT HERE

Serial Number _____ Purchase Date _____



Questions, problems, missing parts? Before returning to your retailer, call our customer service department at 1-877-447-4768, 8:30 a.m. – 4:30 p.m., CST, Monday – Friday or e-mail us at customerservice@ghpgroupinc.com.

TABLE OF CONTENTS

Safety Information	3
Package Contents	5
Hardware Contents	6
Preparation	6
Assembly Instructions	7
Operation Instructions	19
Care and Maintenance	24
Troubleshooting	27
Warranty	29
Replacement Parts List	30

Assembler/Installer: This manual contains important information necessary for the proper assembly and safe use of this appliance. Read and follow all warnings and instructions before assembling and using this appliance. **Leave these instructions with the consumer.**

Consumer/User: Follow all warnings and instructions when using this appliance.
Retain these instructions for future reference.

DANGER

If you smell gas:

1. Shut off gas to the appliance.
2. Extinguish any open flame.
3. Open lid.
4. If odor continues, keep away from the appliance and immediately call your local fire department.

WARNING

1. Do not store or use gasoline or other flammable liquids or vapors in the vicinity of this or any other appliance.
2. An LP (liquid propane) cylinder not connected for use shall not be stored in the vicinity of this or any other appliance.
3. This grill is for outdoor use only and shall not be used in a building, garage, under overhangs or any other enclosed area.
4. Do not leave a lit grill unattended. Keep children and pets away from the grill at all times.



SAFETY INFORMATION

Please read and understand this entire manual before attempting to assemble, operate or install the product. If you have any questions regarding the product, please call customer service at: 1-877-447-4768, 8:30 a.m. – 4:30 p.m., CST, Monday – Friday.

DANGER

- Do not use in an explosive atmosphere. Keep grill area clear and free from combustible materials, gasoline and other flammable vapors and liquids.



WARNING: FUELS USED IN LIQUEFIED PROPANE GAS APPLIANCES, AND THE PRODUCTS OF COMBUSTION OF SUCH FUELS, CAN EXPOSE YOU TO CHEMICALS INCLUDING BENZENE, WHICH IS KNOWN TO THE STATE OF CALIFORNIA TO CAUSE CANCER AND CAUSE BIRTH DEFECTS OR OTHER REPRODUCTIVE HARM. For more information go to: www.P65Warnings.ca.gov.

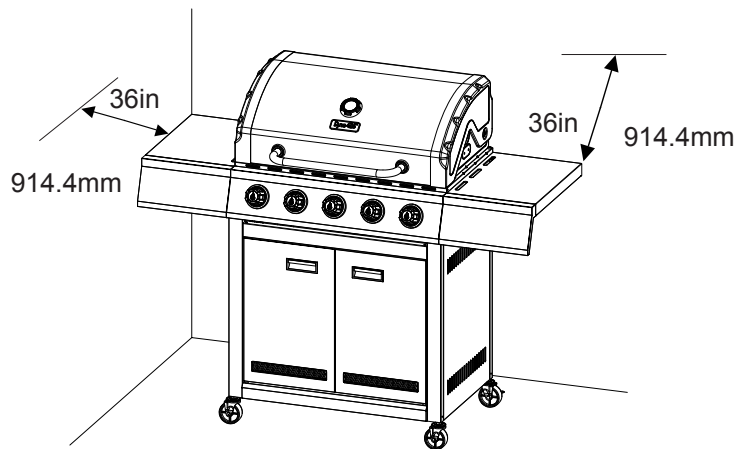
CAUTION

- Never use charcoal or lighter fluid with the grill.
- Do not use gasoline, kerosene or alcohol for lighting.
- The LP gas cylinder used with this appliance must be:
 - (a) Constructed and marked in accordance with the Specifications for LP-Gas Cylinders of the U.S. Department of Transportation (D.O.T.) or the National Standard of Canada, CAN/CSA-B339, Cylinders, Spheres and Tubes for Transportation of Dangerous Goods; and Commission, as applicable; and
 - (b) Provided with a listed overfilling prevention device.
 - (c) Provided with a cylinder connection device compatible with the connector for outdoor cooking appliances. This grill is not intended to be used in or installed on recreational vehicles and/or boats.
- Never keep a filled container in a hot car or car trunk. Heat will cause the gas pressure to increase, which may open the relief valve and allow gas to escape.
- Always open grill lid slowly and carefully as heat and steam trapped within the grill can burn you severely.

! WARNING

- Do not place the grill under overhead combustible construction or awnings. Minimum clearance from sides and back of unit to combustible construction, 36 inches (914.4mm) from sides and back.

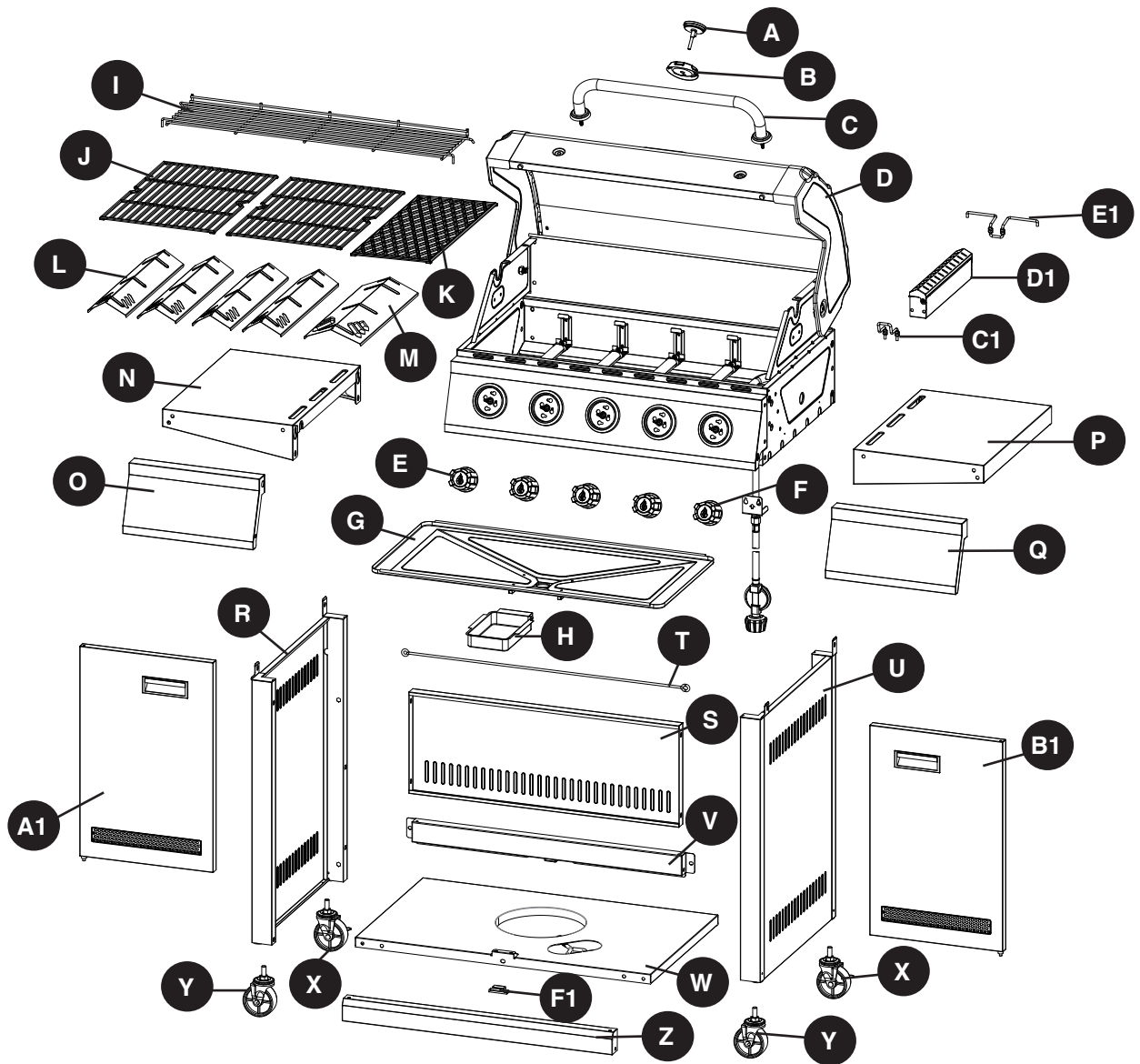
NOTE: The installation must conform with local codes or, in the absence of local codes, with either the National Fuel Gas Code, ANSI Z223.1/NFPA 54, Natural Gas and Propane Installation Code, CSA B149.1, or Propane Storage and Handling Code, B149.2.



! CAUTION

- Do not store or use gasoline or other flammable liquids or vapors in the vicinity of this or any other appliance.
- An LP cylinder not connected for use shall not be stored in the vicinity of this or any other appliance.
- This grill is for use with propane gas only (propane cylinder not included).
- Never attempt to attach this grill to the self-contained propane system of a boat, camper trailer, motor home or house.
- Do not attempt to move the grill while it is lit or when it is hot. The casters should be locked when not moving the grill.
- Do not use the grill unless it is completely assembled and all parts are securely fastened and tightened.
- Keep all combustible items and surfaces at least 36 inches (91.44 cm) away from the grill at all times.
- Do not touch metal parts of grill until it has completely cooled (about 45 minutes) to avoid burns, unless you are wearing protective gear (pot holders, gloves, BBQ mittens, etc...).
- Do not alter this grill in any manner.
- Clean and inspect the hose before each use. If there is evidence of abrasion, wear, cuts, or leaks, the hose must be replaced prior to operating the appliance. The replacement hose assembly will be that which is specified by the manufacturer.
- Move gas hoses as far away as possible from hot surfaces and dripping hot grease.
- Keep the grill's valve compartment, burners and circulating air passages clean. Inspect the grill before each use. Do not obstruct the flow of gas or ventilation air.
- The use of alcohol, prescription or non-prescription drugs may impair the operator's ability to properly assemble or safely operate the grill.
- **Do not leave a lit grill unattended. Keep children and pets away from the grill at all times.**
- Do not place this grill on any type of tabletop surface. The grill should be placed on a flat and level surface.
- Do not use the grill in high winds.

PACKAGE CONTENTS

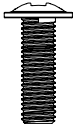


PART	DESCRIPTION	QUANTITY
A	Temperature Gauge	1
B	Temperature Gauge Bezel	1
C	Lid Handle Assembly	1
D	Grill Body	1
E	Main Burner Knob	4
F	Sear Burner Knob	1
G	Grease Pan	1
H	Grease Cup	1
I	Warming Rack	1
J	Cooking Grate For Main Burner	2
K	Cooking Grate For Sear Burner	1
L	Heat Tent For Main Burner	4
M	Heat Tent For Sear Burner	1
N	Left Side Table	1
O	Left Side Table Facing Panel	1
P	Right Side Table	1

PART	DESCRIPTION	QUANTITY
Q	Right Side Table Facing Panel	1
R	Cart Left Side Panel Assembly	1
S	Cart Rear Panel	1
T	Cylinder Exclusion	1
U	Cart Right Side Panel Assembly	1
V	Upper Front Door Brace	1
W	Bottom Shelf	1
X	Locking Swivel Caster	2
Y	Non-Locking Swivel Caster	2
Z	Lower Front Cart Frame	1
A1	Left Door Assembly	1
B1	Right Door Assembly	1
C1	Smoker Box Front Support	1
D1	Smoker Box Assembly	1
E1	Smoker Box Rear Support	1
F1	Magnet	1

HARDWARE CONTENTS (shown actual size)

AA



M6x16
Screw

Qty. 39

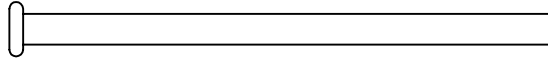
BB



M4x12
Screw

Qty. 8

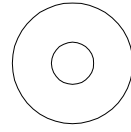
CC



Door Upper
Hinge

Qty. 2

DD



M6 Plain
Washer

Qty. 2

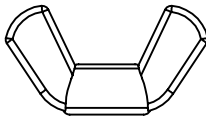
EE



M6 Spring
Washer

Qty. 2

FF



M6 Wing
Nut

Qty. 2

GG



M10
Wrench

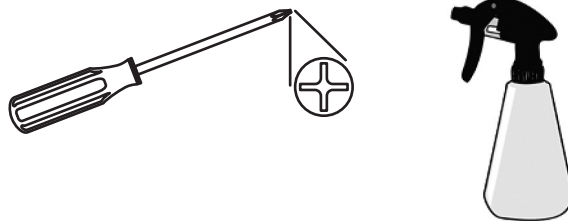
Qty. 1

PREPARATION

Before beginning assembly of product, make sure all parts are present. Compare parts with package contents list on previous page and hardware contents above. If any part is missing or damaged, do not attempt to assemble the product. Contact customer service for replacement parts.

Estimated Assembly Time: 50 minutes with 2 people.

Tools Required for Assembly and Leak Testing (not included): Phillips screwdriver, Spray bottle



⚠ CAUTION

THIS UNIT IS HEAVY. Two people required for safe assembly.

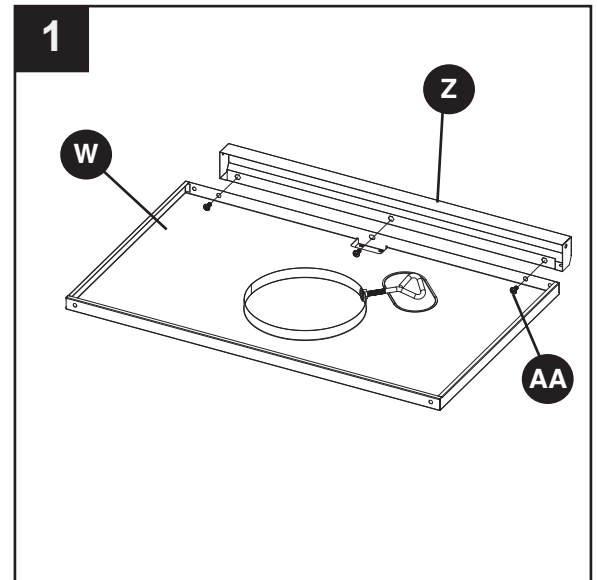
Two people required for safe assembly. Some parts may contain sharp edges. Wear protective gloves if necessary. Read and follow all safety statements, warnings, assembly instructions and use and care instructions before attempting to assemble and use.

ASSEMBLY INSTRUCTIONS

1. Attach Lower front cart frame (Z) to Bottom shelf (W) with three M6x16 screws (AA).

Hardware Used

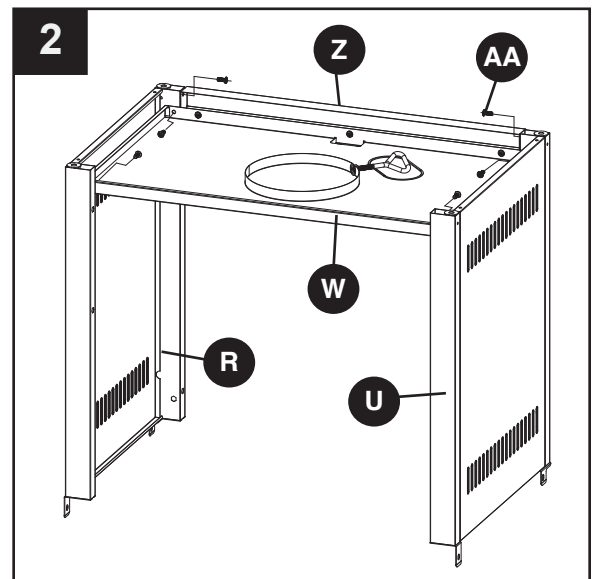
AA M6x16 Screw  x 3



2. Attach Cart left side panel assembly (R) and Cart right side panel assembly (U) to Lower front cart frame (Z) and Bottom shelf (W) with six M6x16 screws (AA).

Hardware Used

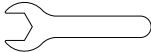
AA M6x16 Screw  x 6

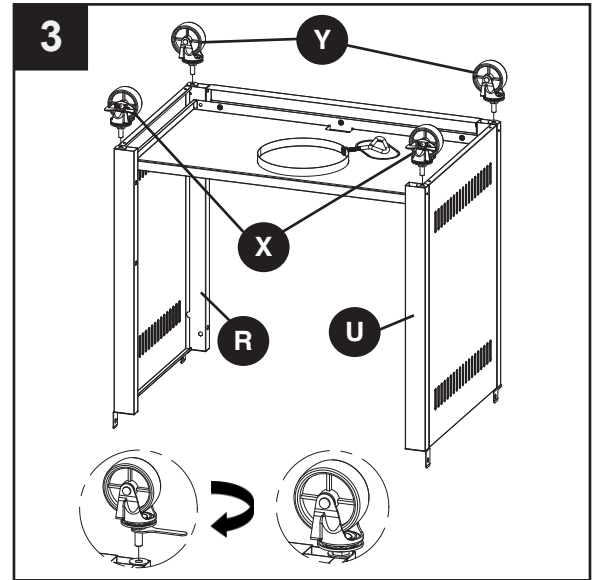


ASSEMBLY INSTRUCTIONS

3. Attach 2 Locking swivel casters (X) and 2 Non-locking swivel casters (Y) to Cart left side panel assembly (R) and Cart right side panel assembly (U) with M10 wrench (GG).

Hardware Used

GG M10 Wrench  x 1

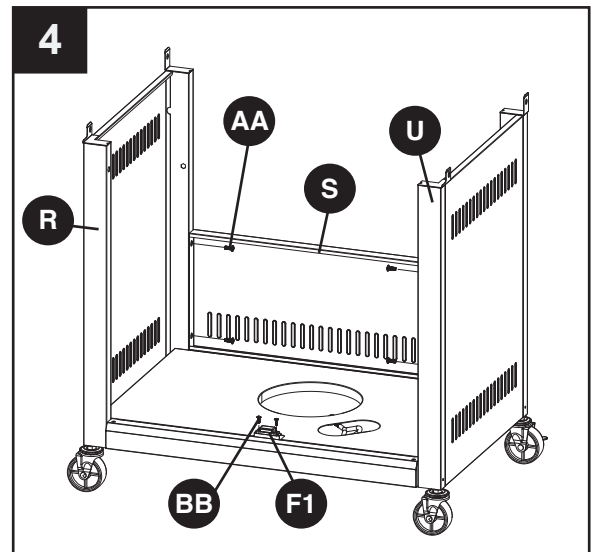


4. Attach Cart rear panel (S) to Cart left side panel assembly (R) and Cart right side panel assembly (U) with four M6x16 screws (AA). Attach Magnet (F1) to Bottom shelf (W) with two M4x12 screws (BB).

Hardware Used

AA M6x16 Screw  x 4



BB M4x12 Screw  x 2

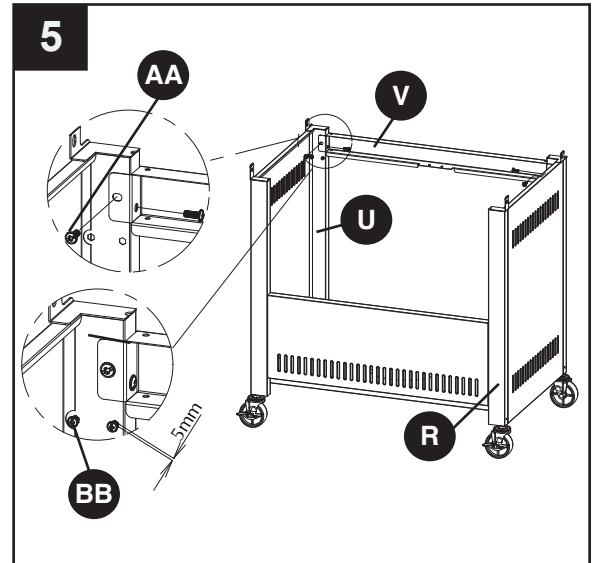


ASSEMBLY INSTRUCTIONS

5. Attach Upper front door brace (V) to Cart left side panel assembly (R) and Cart right side panel assembly (U) with four M6x16 screws (AA). Pre-assemble two M4x12 Screws (BB) onto the Cart right side panel assembly (U) and do not tighten them. Make sure to leave a 5mm gap between the screw and Cart right side panel assembly end cap.


Hardware Used

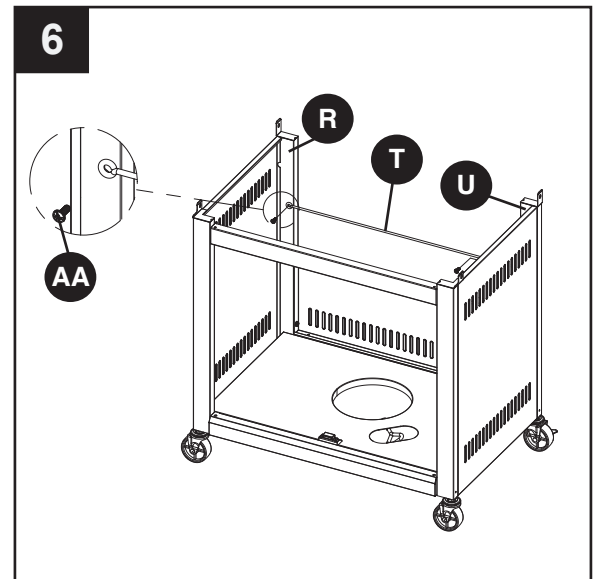
AA	M6x16 Screw		x 4
BB	M4x12 Screw		x 2



6. Attach Cylinder Exclusion (T) to rear of left and right cart side panel with two M6x16 screws (AA).

Hardware Used

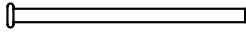
AA	M6x16 Screw		x 2
-----------	-------------	---	-----

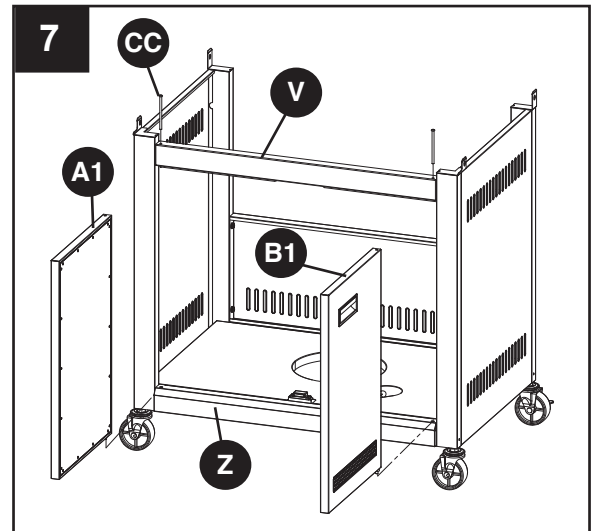


ASSEMBLY INSTRUCTIONS

7. Insert the bottom axis in the Left door assembly (A1) into the hole on the Lower front cart frame (Z), and insert the Door upper hinge (CC) into the holes of the upper front door brace (V) and the hole in the upper Left door assembly (A1) as shown. Repeat with Right door assembly (B1).

Hardware Used

CC Door Upper Hinge  x 2



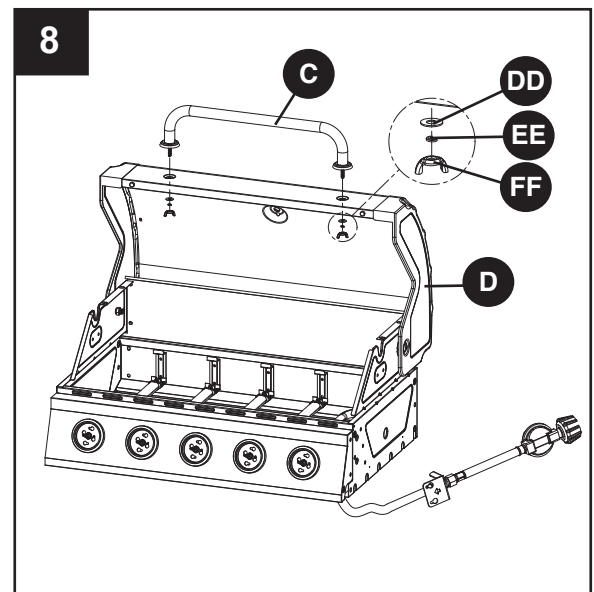
8. Attach Lid handle assembly (C) to Grill body (D), two M6 wing nuts (FF), two Spring washers (EE), and two Plain washers (DD).

Hardware Used

DD M6 Plain Washer  x 2

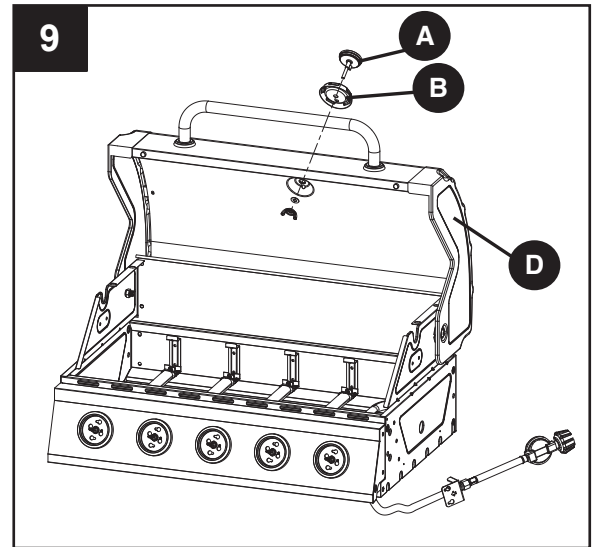
EE M6 Spring Washer  x 2

FF M6 Wing Nut  x 2

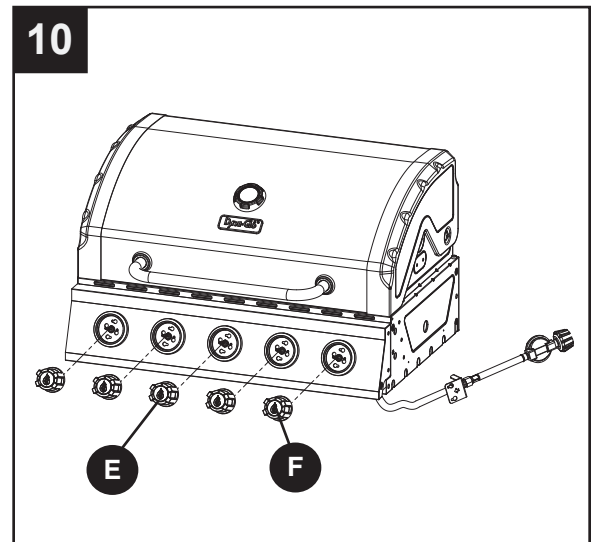


ASSEMBLY INSTRUCTIONS

9. First, remove pre-assembled Wing nut and Plain washer from Temperature gauge (A), then attach Temperature gauge (A) and the temp gauge bezel (B) to Grill body (D). Secure Temperature gauge (A) with Wing nut and Plain washer removed earlier in this step.



10. Assemble the 4 main burner knobs (E) and 1 sear burner knob (F).



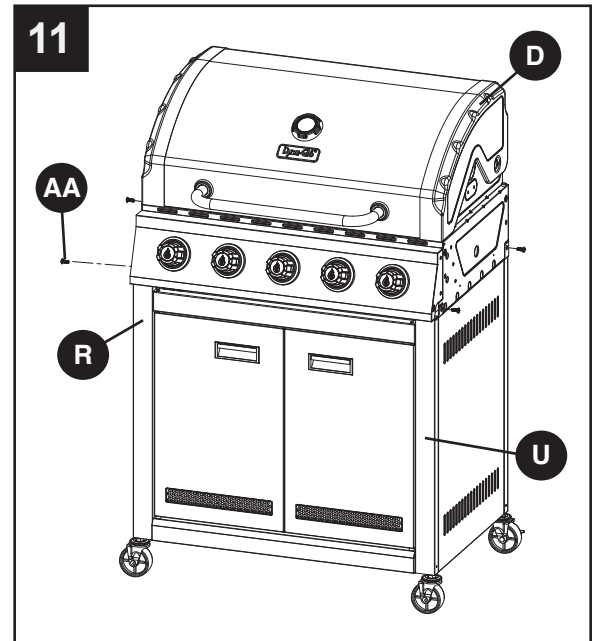
ASSEMBLY INSTRUCTIONS

11. Carefully place the Grill body (D) onto Cart left side panel assembly (R) and Cart right side panel assembly (U). Adjust the Grill body (D) so that the holes in the Grill body (D) are aligned with holes in the tabs of Cart left side panel assembly (R) and Cart right side panel assembly (U).

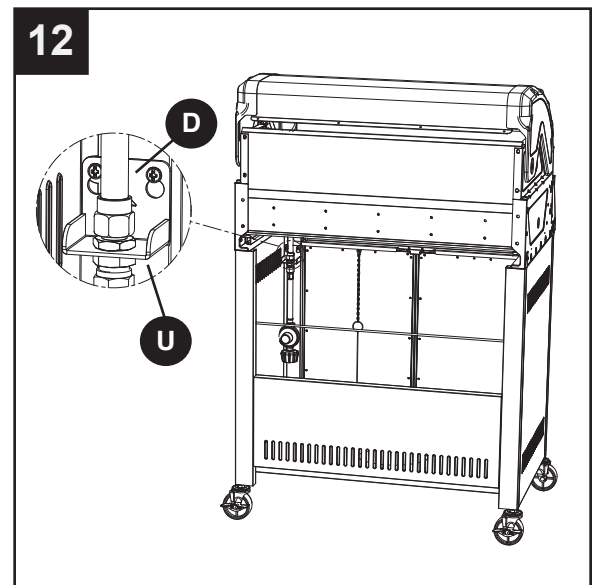
Note: Make sure the gas hose/regulator assembly is inside the cart. Secure the Grill body (D) with four M6X16 screws (AA).

Hardware Used

- AA** M6x16 Screw  x 4



12. Align key hole in grill body (D) with the two screws just inserted in the Cart right side panel assembly (U), then tighten all screws.

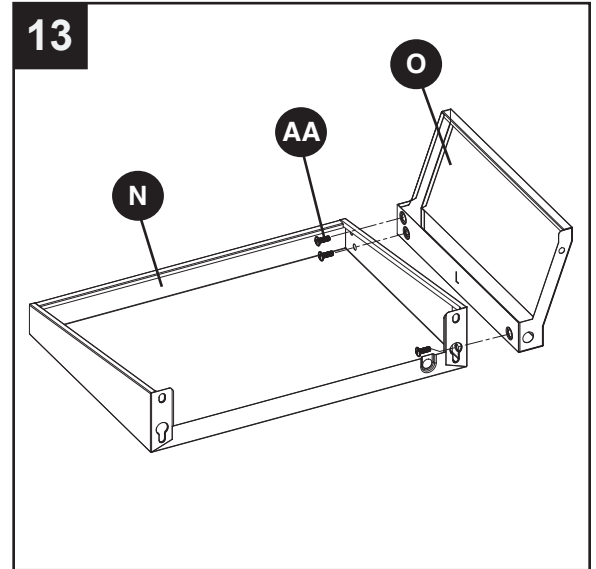


ASSEMBLY INSTRUCTIONS

13. Attach the left side table facing panel (O) to the left side table (N) with three M6x16 screws (AA).

Hardware Used

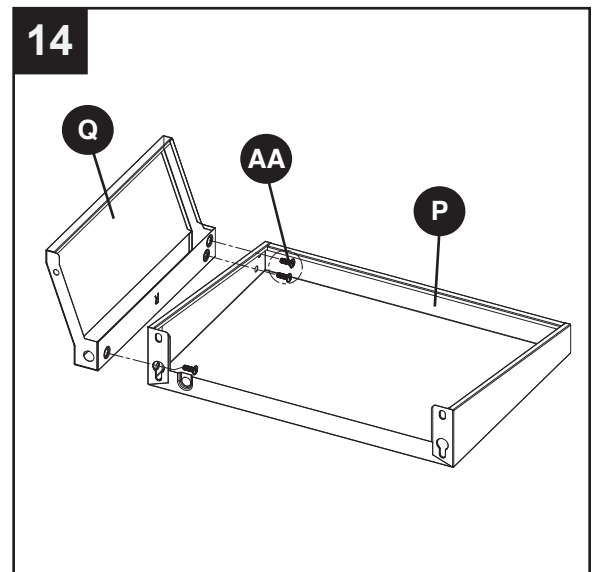
AA M6x16 Screw  x 3



14. Attach the right side table facing panel (Q) to the right side table (P) with three M6x16 screws (AA).

Hardware Used

AA M6x16 Screw  x 3

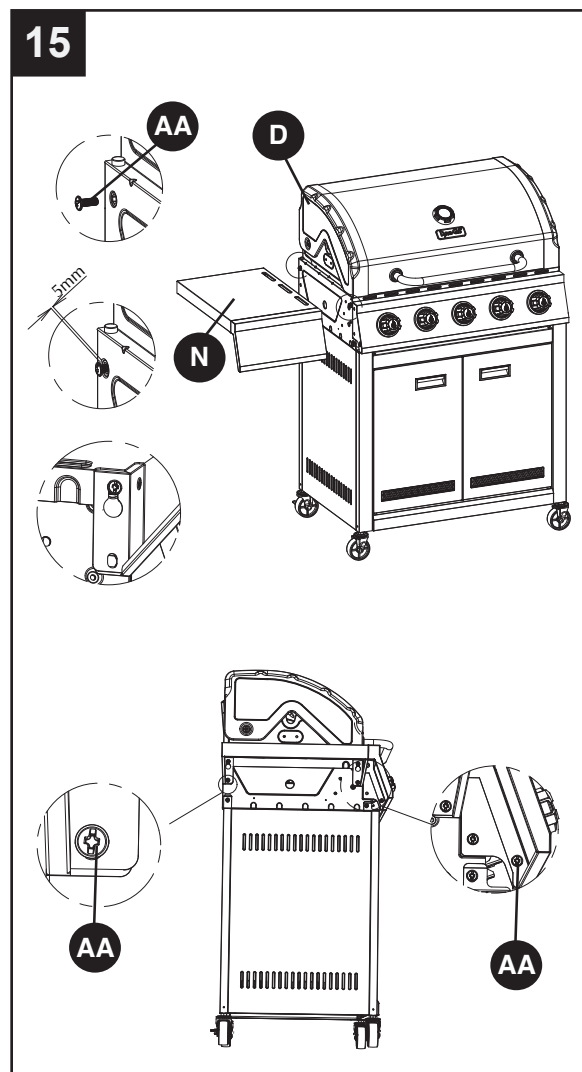


ASSEMBLY INSTRUCTIONS

15. Insert two M6x16 screws (AA) in left side of Grill body (D) as shown, leaving 5mm of threads exposed. Align key hole in Left side table (N) with the two screws just inserted in the Grill body (D), and insert three M6x16 screws (AA) in the remaining holes in the Grill body (D). Adjust Left side table (N) correctly, then tighten all screws.

Hardware Used

AA M6x16 Screw  x 5

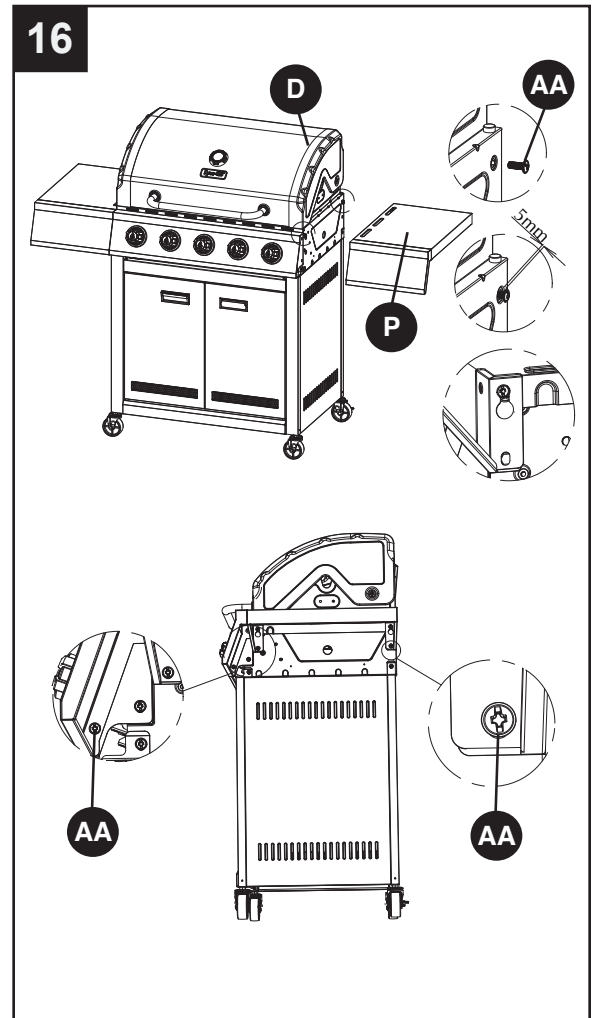


ASSEMBLY INSTRUCTIONS

16. Insert two M6x16 screws (AA) in right side of Grill body (D) as shown, leaving 5mm of threads exposed. Align key hole in Right side table (P) with the two screws just inserted in the Grill body (D), and insert three M6x16 screws (AA) in the remaining holes in the Grill body (D). Adjust Right side table (P) correctly, then tighten all screws.

Hardware Used

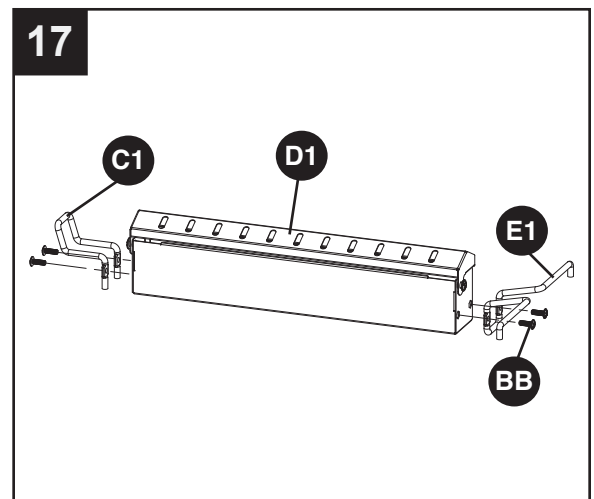
AA M6x16 Screw  x 5



17. Attach the smoker box front support (C1) and smoker box rear support (E1) to the smoker box (D1) with four M4x12 screws (BB)

Hardware Used

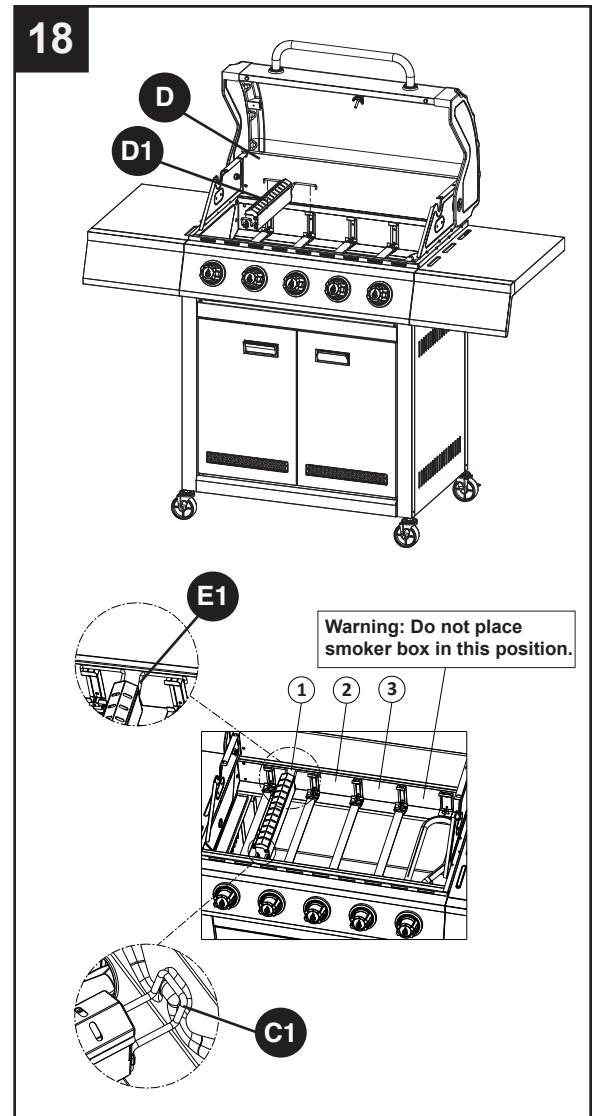
BB M4x12 Screw  x 4



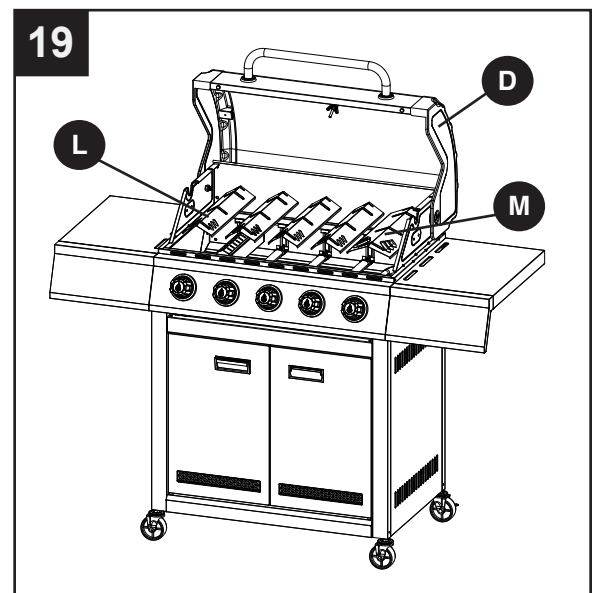
ASSEMBLY INSTRUCTIONS

18. Optional Smoker Box Usage Instructions: Fill the smoker box with presoaked wood chips. Open the lid and position the Smoker Box (D1) by placing the Smoker Box Front Support (C1) and Smoker Box Rear Support (E1) inside the Grill Body (D) as shown in the image. The Smoker Box can be placed on any of the three locations as also shown in the image. Follow the lighting instructions until wood chips begin to smoke. For best results and longer lasting smoking, reduce the heat after the wood chips begin to smoke.

Note: Placement of Smoker Box (D1) in the Grill Body (D) is an option only if smoking the food is desired during grilling. For general purpose grilling without smoking, remove the Smoker Box from the Grill Body.



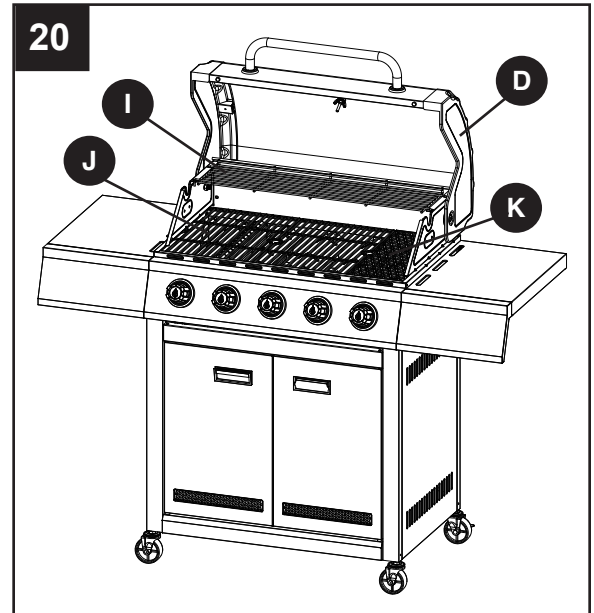
19. Place 4 Heat tents for main burner (L) and 1 Heat tent for sear burner (M) on the inside of the Grill body (D).



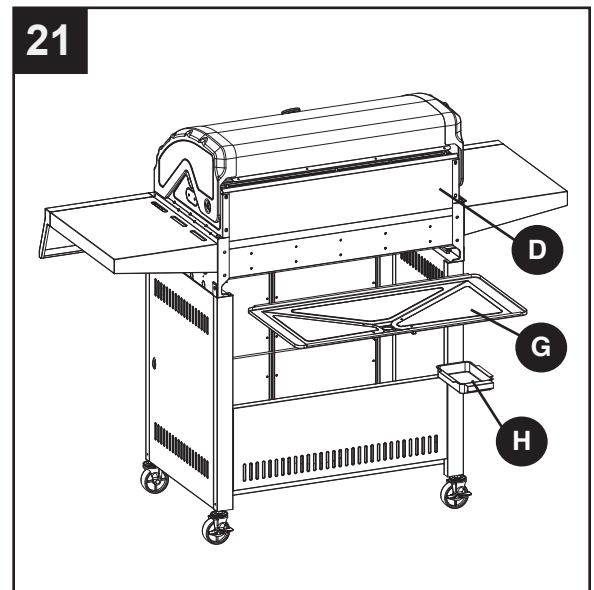
ASSEMBLY INSTRUCTIONS

20. Place 2 Cooking grates for main burner (J) and Cooking grate for sear burner (K) into Grill body (D) as illustrated in the figure. Secure Warming rack (I) into Grill body (D).

NOTE: Insert the Warming rack (I) into the four holes located on both sides of Grill body (D).




21. Insert Grease pan (G) into position by sliding it in the Grill Body (D) from the rear as shown, along the rails located just below the underside of the Grill body (D), and insert the Grease cup (H) into position by sliding it onto the rails on the bottom of Grease pan (G).

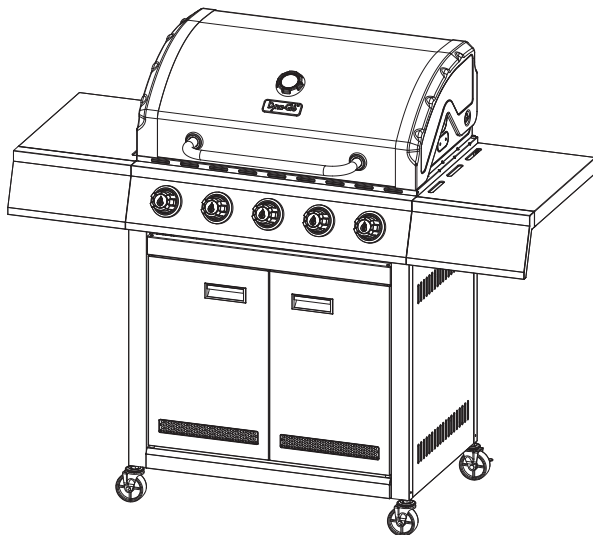


ASSEMBLY INSTRUCTIONS

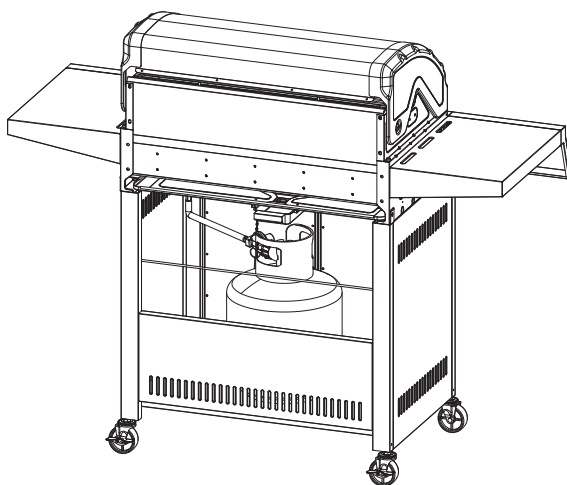
22. Open the left door assembly (A1) and the right door assembly (B1). Place LP gas cylinder (sold separately) into the nesting hole located on the bottom shelf (W). Rotate the LP gas cylinder until the hose/regulator coupling aligns with the threaded valve of the cylinder. Hand tighten the hose/regulator coupling to the threaded valve of the LP gas cylinder.

Tighten the tank screw clockwise  in the front of cart until the cylinder is secured in place inside the nesting hole of the Bottom shelf (W).

Fully Assembled

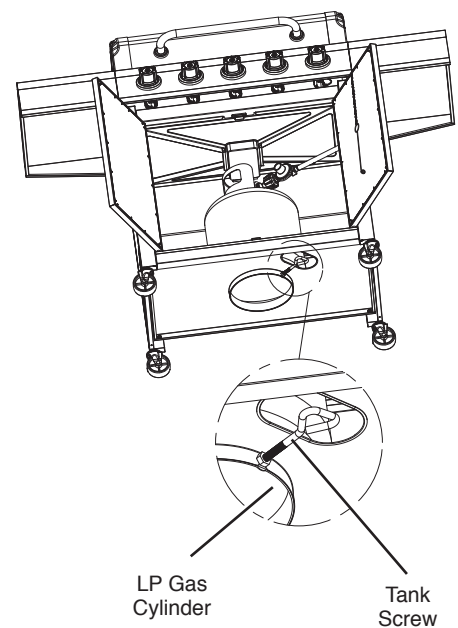
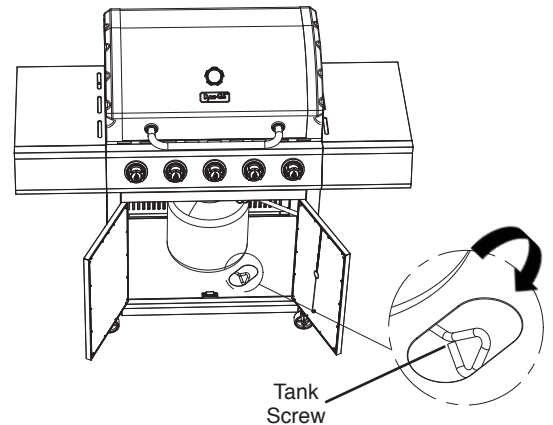
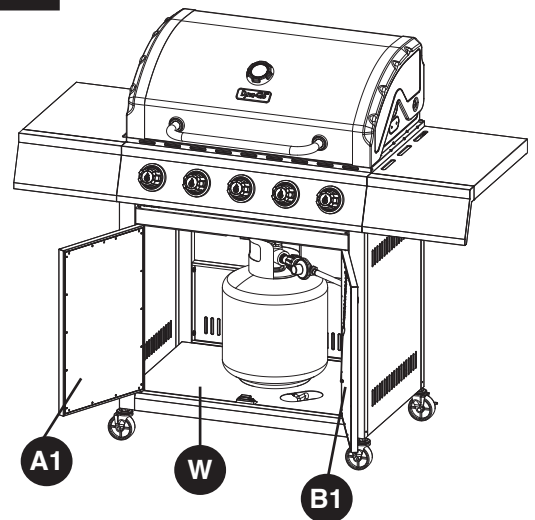


Front View



Rear View

22



OPERATION INSTRUCTIONS


CHECKING FOR LEAKS

After all connections are made, check all connections and fittings on the LP gas tank valve, gas hose and regulator for leaks with a water and soap solution.

To prevent fire or explosion while testing for a leak:

- Always perform leak test prior to lighting the grill.
- Do not smoke while testing for a leak.
- Always perform leak tests outdoors in a well-ventilated area.
- Do not use any source of flame while testing for leaks.
- Do not use the grill until any and all leaks are corrected.
- If you are unable to correct a leak, disconnect the propane supply and call a gas appliance service dealer.

PERFORM LEAK TEST

- Prepare leak test solution by 50/50 ratio of liquid dish soap and water. Total solution required is approximately 2 - 3 ounces (70 - 90 ml). Put leak test solution in a spray bottle.
- Ensure all control knobs are in the  OFF position.
- Connect the gas hose to the gas supply.
- Open the LP gas tank valve.
- Spray leak test solution on all gas carrying connections and fittings. Presence of bubbles at areas of applied test solution indicates a gas leak. If leaks are detected or you smell or hear gas, shut off the gas supply valve immediately and repair or replace the defective part. Do not use the grill until all leaks are corrected.

CAUTION

Only use the regulator and hose assembly provided! If a replacement is necessary, please call our customer service center. Do not use replacement parts that are not intended for this grill.

WARNING

ALL INSTRUCTIONS AND SAFEGUARDS ON THIS PAGE MUST BE FOLLOWED TO PREVENT FIRE, DAMAGE AND/OR INJURY.

OPERATION INSTRUCTIONS

CONNECTING GAS CYLINDER

The propane gas supply cylinder to be used must be constructed and marked in accordance with the Specifications for LP Gas Cylinders of the U.S. Department of Transportation (D.O.T.) or the National Standard of Canada, CAN/CSA-B339, Cylinders, Spheres and Tubes for Transportation of Dangerous Goods; and Commission, as applicable; and provided with a listed overfilling prevention device.

Use only 20-pound cylinders (height: 18.11 inches, tank diameter: 9.84 inches, foot diameter: 8.03 inches) equipped with a cylinder connection device compatible with the connection for outdoor cooking appliances.

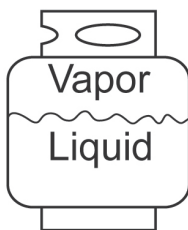
The cylinder must include a collar to protect the cylinder valve. The gas cylinder should not be dropped or handled roughly!

If the appliance is not in use, the gas cylinder must be disconnected. Storage of an appliance indoors is permissible ONLY if the cylinder is disconnected and removed from the appliance. Cylinders must be stored outdoors out of the reach of children and must not be stored in a building, garage or any other enclosed area. Your cylinder must never be stored where temperatures can reach over 125°F.

Place dust cap on cylinder valve outlet whenever the cylinder is not in use. Only install the type of dust cap on the cylinder valve outlet that is provided with the cylinder valve. Other types of caps or plugs may result in leakage of propane.

Before connection, be sure that there is no debris caught in the outlet of the gas cylinder, outlet of the regulator valve or in the outlet of the burner and burner ports. Connect regulator valve and hand-tighten firmly. Keep the propane cylinder valve closed and disconnect the propane cylinder from the regulator valve when the grill is not in use.

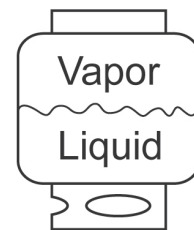
DO NOT obstruct the flow of combustion air and ventilation air to the grill. The propane cylinder must be arranged for vapor withdrawal and equipped with a listed overfilling prevention device. Please use the proper cylinder orientation to provide vapor withdrawal. NOTE: The cylinder must be fully upright for the cylinder to have vapor withdrawal only.



Correct



Wrong



Wrong

⚠ CAUTION

- a. Do not store a spare LP-gas cylinder under or near this appliance.
- b. Never fill the cylinder beyond 80 percent full.
- c. If the information in (a) and (b) is not followed exactly, a fire causing death or serious injury may occur.





OPERATION INSTRUCTIONS

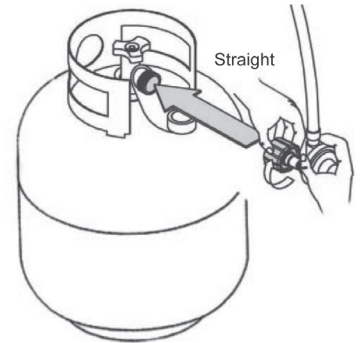
NOTE: Other cylinders may be acceptable for use with this appliance provided they are compatible with the appliance nesting hole and retention means. Refer to Step 22 of the Assembly Instructions for correct cylinder to cylinder holder connection.

⚠ WARNING

ALL INSTRUCTIONS AND SAFEGUARDS ON THIS PAGE MUST BE FOLLOWED TO PREVENT FIRE, DAMAGE AND/OR INJURY.

CONNECTING THE LP TANK

1. The knob on the LP tank must be closed. Make sure that the knob is turned  clockwise to a full stop. The cylinder supply system must be arranged for vapor withdrawal.
 2. Check that the control knob on the control unit is turned off.
 3. Remove the protective cap from the LP tank valve and coupling nut.
 4. Hold the regulator in one hand and insert the nipple into the valve outlet. Be sure the nipple is centered in the valve outlet. The coupling nut connects to the large outside threads on the valve outlet. Use care – do not cross thread the connection.
 5. Hand-tighten the coupling nut  clockwise until it comes to a full stop. Firmly tighten by hand only. Do not use tools.
- To Disconnect:** Fully close the tank valve by turning  clockwise. Turn the coupling nut  counterclockwise until the regulator assembly detaches.



⚠ WARNING

In the connection process, make sure:

- the regulator inlet connector mates with the cylinder valve outlet properly, safely and firmly, and;
- the LP gas hose does not come in contact or remain in contact with the firebox.

OPERATION INSTRUCTIONS

Lighting The Grill

Before first use:









Remove all hangings or plastic straps, if present. Before you cook on your new gas grill, it is important to clean your grill with heat. To do this, operate the grill for approximately 15 minutes with the lid closed and the control knob in the highest position. This will clean the internal parts by burning off any residue and odor from the manufacturing process.

⚠ CAUTION

If the flame extinguishes accidentally during ignition or operation, immediately **TURN OFF** the cylinder valve and then **TURN OFF** the control knob.

⚠ WARNING

Do not lean over grill when lighting. Read instructions before lighting. Do not put pots on the sear side burner. Using pots on the sear side burner will result in high carbon monoxide levels.

1. Check that the control knobs are in the  OFF position.
2. Open valve at tank fully by turning  counter-clockwise.
3. Open lid during lighting.
4. Depress and turn control knob counterclockwise  from  OFF position, past the  ignite position, to the  high position for the main burners and  for the sear burner. You may need to repeat several times to ignite the burner.
If ignition does not occur in 5 seconds, turn the control knobs to  OFF position, wait 5 minutes, and repeat the lighting procedure.

If the burner still does not light, check that there is gas in the cylinder and follow the match lighting instructions.

OPERATION INSTRUCTIONS

LIGHTING THE GRILL WITH A MATCH

1. Open the lid.
2. Insert a match in the end of the match holder that is installed on the inside of the cabinet door.
3. Light the match.
4. Immediately place the lit match through the spaces in the grill gates near the ports of the burner between the heat tents as shown. Make sure the lit match is close to the burner ports.
5. Press in the control knob that operates the burner and rotate ↺ counter-clockwise to the 🔥 high position for the main burners and 🔥 for the sear burner which should light immediately.
6. Repeat 2~5 steps to lighting the remaining burners.
7. Adjust burners to desired cooking settings.

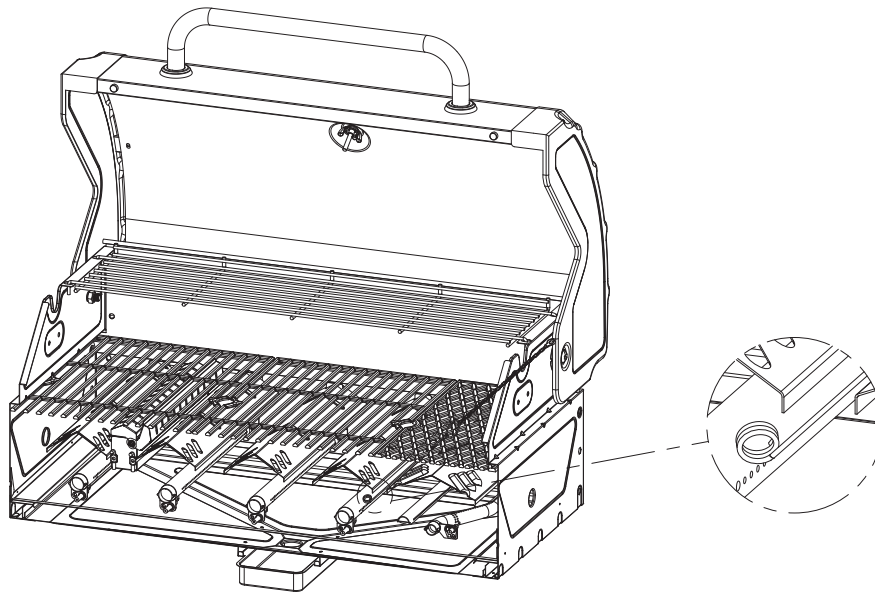
⚠ CAUTION

Make sure all burners controls are off except for the burner being lit and the burners that have been lit.

⚠ WARNING

If ignition does not occur in 5 seconds, turn the burner control(s) OFF ○ . Wait 5 minutes, and repeat the lighting procedure.

Main Burner Match Lighting



SHUTDOWN INSTRUCTIONS

1. Turn control knobs ↻ clockwise to the ○ OFF position.
2. Close valve at tank fully by turning ↻ clockwise.
3. Close lid.

Turn off LP supply at cylinder when appliance is not in use.

CARE AND MAINTENANCE

Cooking Grates

The best time to 'burn-off' the cooking grates is after every use (approx. 15 minutes). The grill is already hot from cooking thus requiring less fuel to obtain necessary temperature for 'burn-off'.

To 'burn off' or heat clean your grill, turn the burners to highest position and run for 15 minutes with the lid closed. Then turn off the burners and use a wire brush to clean excess food residue from the grates.

The porcelain grates have an enamel finish (similar to glass) and should be handled with care not to chip.

⚠ CAUTION

Ensure the grill is cool before cleaning and conducting maintenance and with the gas supply turned off at the LP-Gas Cylinder.

Recommended Cleaning Supplies

Mild liquid dish soap, warm water, nylon cleaning pad, wire brush

DO NOT use cleaners that contain acid, mineral spirits or any abrasive substance.

Outside Surfaces

It is recommended to use only mild dish soap and hot water to clean grill and grill parts.

Rinse with warm water.

Inside Bottom Pan of Grill Body

To avoid flare-ups, the bottom pan of the cooking box should be kept clean on a regular basis.

Remove residue using a brush, scraper and/or cleaning pad. Wash with mild dish soap and warm water. Rinse with warm water. Avoid water splashing into venturi tubes of burners.

Heat Tents

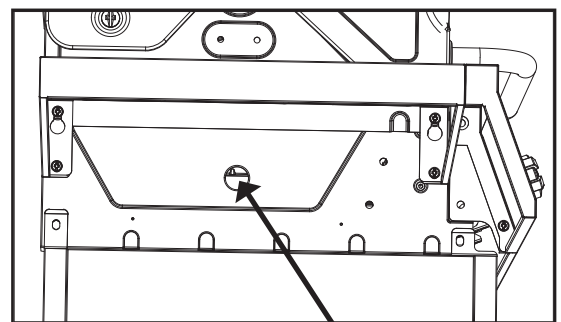
Clean residue with wire brush and wash with mild dish soap and warm water. Rinse with warm water.

Grease Cup

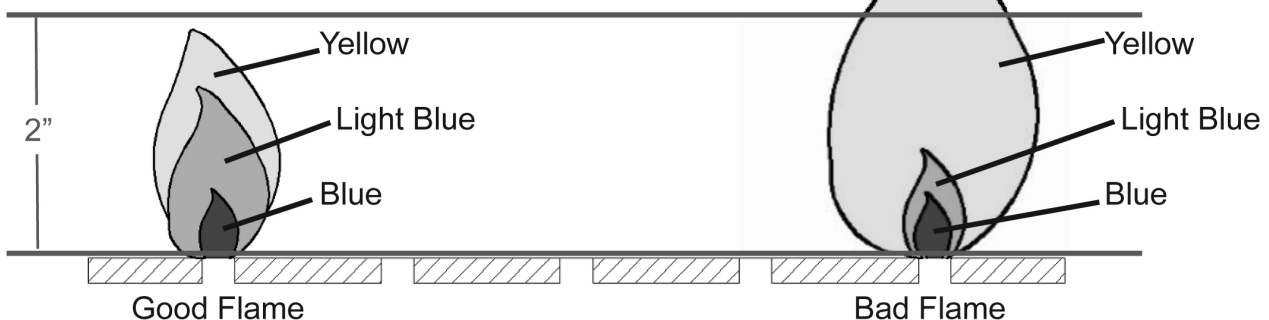
Empty the grease cup and clean with mild dish soap and warm water on a regular basis.

Checking The Flame

For maximum fuel efficiency and cooking performance, flame should be a blue-yellow color and be between 1- 2 inches high. To check the flame, view the flame through the holes in both sides of the firebox.



Hole for viewing the flame



Good Flame

Bad Flame

CARE AND MAINTENANCE

Burner Assembly

Removing The Burner Assembly

1. Make sure all control knobs are in the OFF position, gas supply valve is closed, and the gas hose is disconnected from the gas supply.
2. Open lid and remove warming rack, smoker box assembly, cooking grates, and heat tents.
3. Remove hinge pin as illustrated in Figure 1.
4. Slide main burners & sear burner out of firebox.
5. Detach ignition wire from electrode in Figure 2.

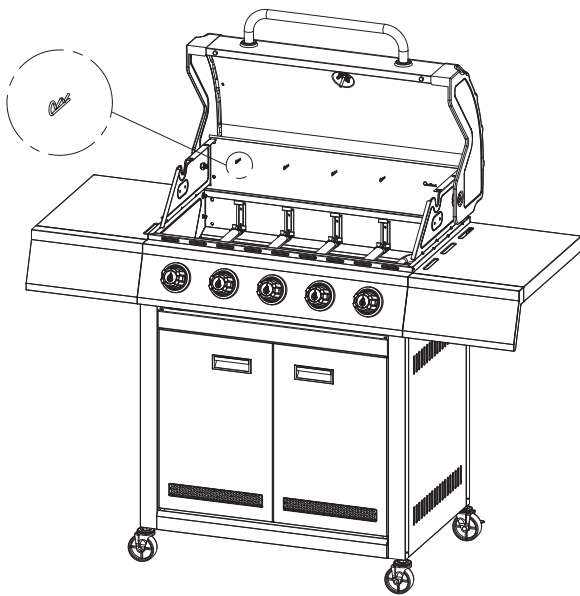
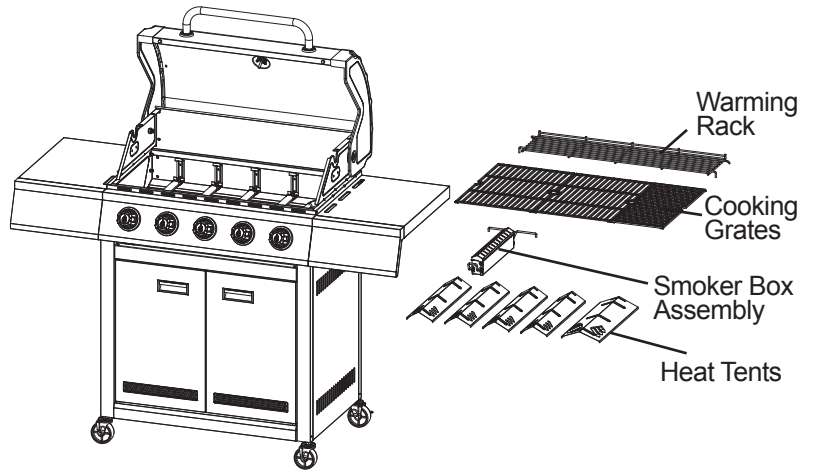


Figure 1

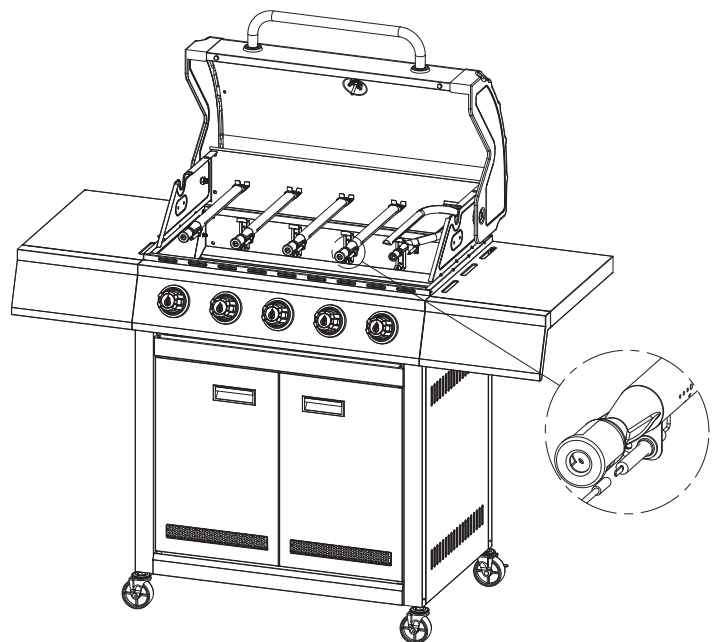


Figure 2

CARE AND MAINTENANCE

Cleaning the Burner Assembly

– Make sure the grill is cool

1. Ensure all burner ports are clear of clogs. Use of a pin or paper clip works well.
2. Ensure burner is free of any damage. If damage is found, replace with new burner.
3. Ensure the end of the burner and primary air screen are clear from insect nests, dirt or debris.

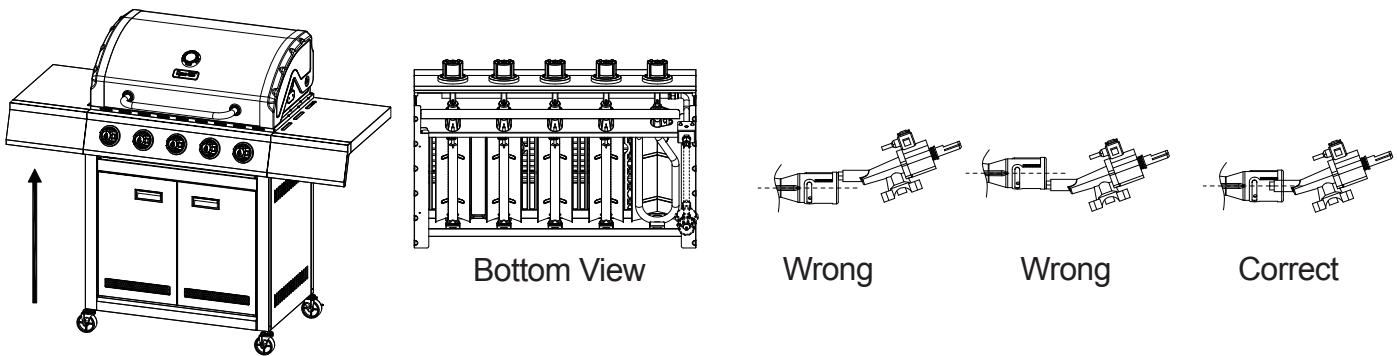
Re-installing the Burner

Ensure that gas valve orifices are correctly positioned inside burner inlet (venturi).

The use of a flashlight may be necessary to ensure the correct position.

It is recommended to view the correct position through the firebox vent holes as illustrated below.

Reattach each burner with the hinge pin and reattach the ignition wire to electrode.



View the correct position
from the bottom of the firebox

⚠ WARNING

If the instructions above are not followed, a fire or explosion may result, possibly causing serious bodily injury or death.

Other Care and Maintenance

It is recommended that inspection and service on this appliance be conducted annually by a qualified service person.

It is recommended that you always check that the outdoor cooking appliance area is clear and free from combustible material, gasoline and other flammable vapors and liquids before lighting.

It is recommended that you regularly check that the flow of combustion and ventilation air is not obstructed.

It is recommended that you regularly check that the ventilation openings of the grill cabinet are free and clear from debris.

It is recommended that you regularly check and clean the burner/venturi tubes for insects and insect nests. A clogged tube can lead to a fire beneath the grill.

TROUBLESHOOTING

If you have any questions regarding the product, please call customer service at 1-877-447-4768, 8:30 a.m. – 4:30 p.m., CST, Monday – Friday.

PROBLEM	POSSIBLE CAUSE	CORRECTIVE ACTION
The burner will not light using the ignitor procedure (weak or no spark being generated).	<ol style="list-style-type: none">1. The igniter electrode may be covered with grease or residue.2. The igniter electrode may have a loose or disconnected wire.3. Cracked or broken ignition electrode.	<ol style="list-style-type: none">1. Clean the ignitor electrode.2. Check the connection and reconnect any loose or disconnected wires.3. Replace ignition electrode (see Replacement Parts List).
Low Heat.	<ol style="list-style-type: none">1. Insufficient gas pressure to the unit.	<ol style="list-style-type: none">1. Call a qualified service agency to check the gas supply pressure and correct the pressure.
Excessive Flare Ups.	<ol style="list-style-type: none">1. Grease and/or residue build-up on heat tents or in firebox.2. Excessive dripping of fat or marinade from food.3. Cooking temperature too high.	<ol style="list-style-type: none">1. Clean the grill components.2. Trim the fat from meat and use non-oil based marinades.3. Lower temperature accordingly.

TROUBLESHOOTING

PROBLEM	POSSIBLE CAUSE	CORRECTIVE ACTION
<p>The burner will not light with a match.</p>	<ol style="list-style-type: none"> 1. Match not reaching burners (when holding match with hand). 2. Empty tank. 3. Poor connection between valve regulator and LP cylinder coupling. 4. Burner inlet blocked. 	<ol style="list-style-type: none"> 1. Use match holder found in cabinet door. 2. Check fuel level and refill tank if necessary. 3. Turn off grill knobs, close the LP cylinder valve at top of cylinder and check the connection between the regulator valve and cylinder coupling. Disconnect and reconnect, if necessary. 4. Clean the burner inlet (venturi) and burner as described by the Care and Maintenance section in the manual.
<p>No gas flow or an obstructed gas flow.</p>	<ol style="list-style-type: none"> 1. Tank valve not on or fully opened. 2. Empty tank. 3. Poor connection between valve regulator and LP cylinder coupling. 4. Burner inlet blocked. 	<ol style="list-style-type: none"> 1. Fully open tank valve by turning counterclockwise. 2. Check fuel level and replace fuel if necessary. 3. Turn off grill knobs, close the LP cylinder valve at top of cylinder and check the connection between the regulator valve and cylinder coupling. Disconnect and reconnect, if necessary. 4. Clean the burner inlet (venturi) and burner as described by the Care and Maintenance section in the manual.

LIMITED WARRANTY

1-Year Limited Warranty

This LP gas grill is warranted for 1 year (5 years on the Stainless Steel burners) against broken or damaged parts at the time of purchase. It is warranted to be free of defects. Paint is warranted to be free of defects except for rust, which may appear after repeated use.

This warranty does not cover damage or issues related to neglect, abuse, or modifications to the appliance. Repair labor is not covered.

All parts that meet the warranty requirements will be shipped at no charge via the discretion of the manufacturer (ground shipments, US Mail, or Parcel Post ONLY). Any special handling charges (i.e. Second Day, overnight, etc.) will be the responsibility of the consumer.

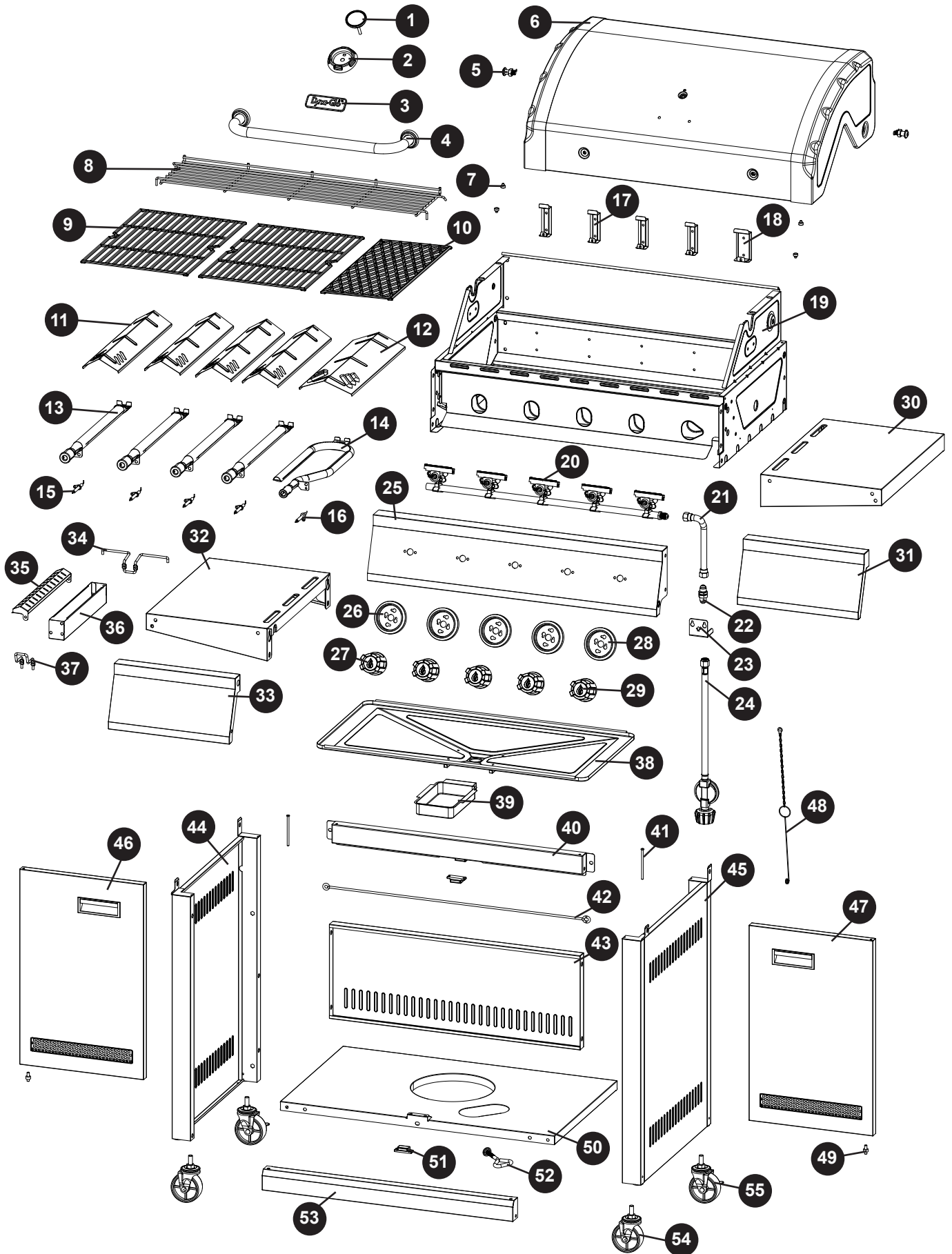
All warranty claims apply only to the original purchaser and require a proof of purchase verifying purchase date. Do not return parts without first obtaining a return authorization number from our customer service. This service is available by calling toll free 1-877-447-4768, 8:30 a.m. – 4:30 p.m., CST, Monday – Friday.

NOTICE: Some states do not allow the exclusion or limitation of incidental or consequential damages or limitations on how long an implied warranty lasts, so the above limitations or exclusions may not apply to you. This warranty gives you specific legal rights and you may also have other legal rights which may vary from state to state.

GHP Group Inc.
6440 W. Howard Street
Niles, IL, USA
60714-3302

Item Name: 5-Burner LP Gas Grill With Sear Station
Model #: DGH483CRP/DGH483CRP-D
Main burner total rated BTU: 48,000 BTU/Hr
Sear burner rated BTU: 15,000 BTU/Hr

REPLACEMENT PARTS LIST



REPLACEMENT PARTS LIST

For replacement parts, call our customer service department at 1-877-447-4768, 8:30 a.m. – 4:30 p.m., CST, Monday – Friday.

PART	DESCRIPTION	PART #
1	Temp gauge assembly	70-02-264
2	Temp gauge bezel (black)	70-01-906
3	Badge	104-22006
4	Lid handle assembly	70-01-907
5	Lid pivot pin-with cotter pin	70-01-641
6	Lid assembly	70-01-908
7	Lid bumper	70-01-176
8	Warming rack	70-01-909
9	Cooking grate for main burner	70-01-910
10	Cooking grate for sear burner	70-01-911
11	Heat tent for main burner	70-01-912
12	Heat tent for sear burner	70-01-913
13	Main burner-with cotter pin	70-01-609
14	Sear burner-with cotter pin	70-01-914
15	Main burner sparker	70-01-283
16	Sear burner sparker	70-01-112
17	Main burner & heat tent support	70-01-915
18	Sear burner & heat tent support	70-01-916
19	Firebox assembly - with heat shield	70-01-917
20	Main valves and manifold assembly	70-02-271
21	Corrugate pipe assembly	70-01-645
22	Connector	70-02-110
23	Connector fixing plate	70-01-918
24	Regulator and hose assembly	70-02-272
25	Main control panel assembly	70-01-919
26	Control knob bezel for main burner	70-01-920
27	Control knob for main burner	70-01-921
28	Control knob bezel for sear burner	70-01-922
29	Control knob for sear burner	70-01-923
30	Right side table assembly	70-01-924
31	Right side table front panel	70-01-925
32	Left side table assembly	70-01-926
33	Left side table front panel	70-01-927
34	Smoker box rear support with hardware	70-01-928
35	Smoker box lid with hardware	70-01-929
36	Smoker box body with hardware	70-01-930
37	Smoker box front support with hardware	70-01-932
38	Grease pan	70-01-933
39	Grease cup	70-01-187
40	Upper front door brace	70-01-934
41	Door upper axis	70-09-114
42	Cylinder exclusion	70-01-935
43	Cart rear panel	70-01-936
44	Cart left side panel assembly	70-01-937

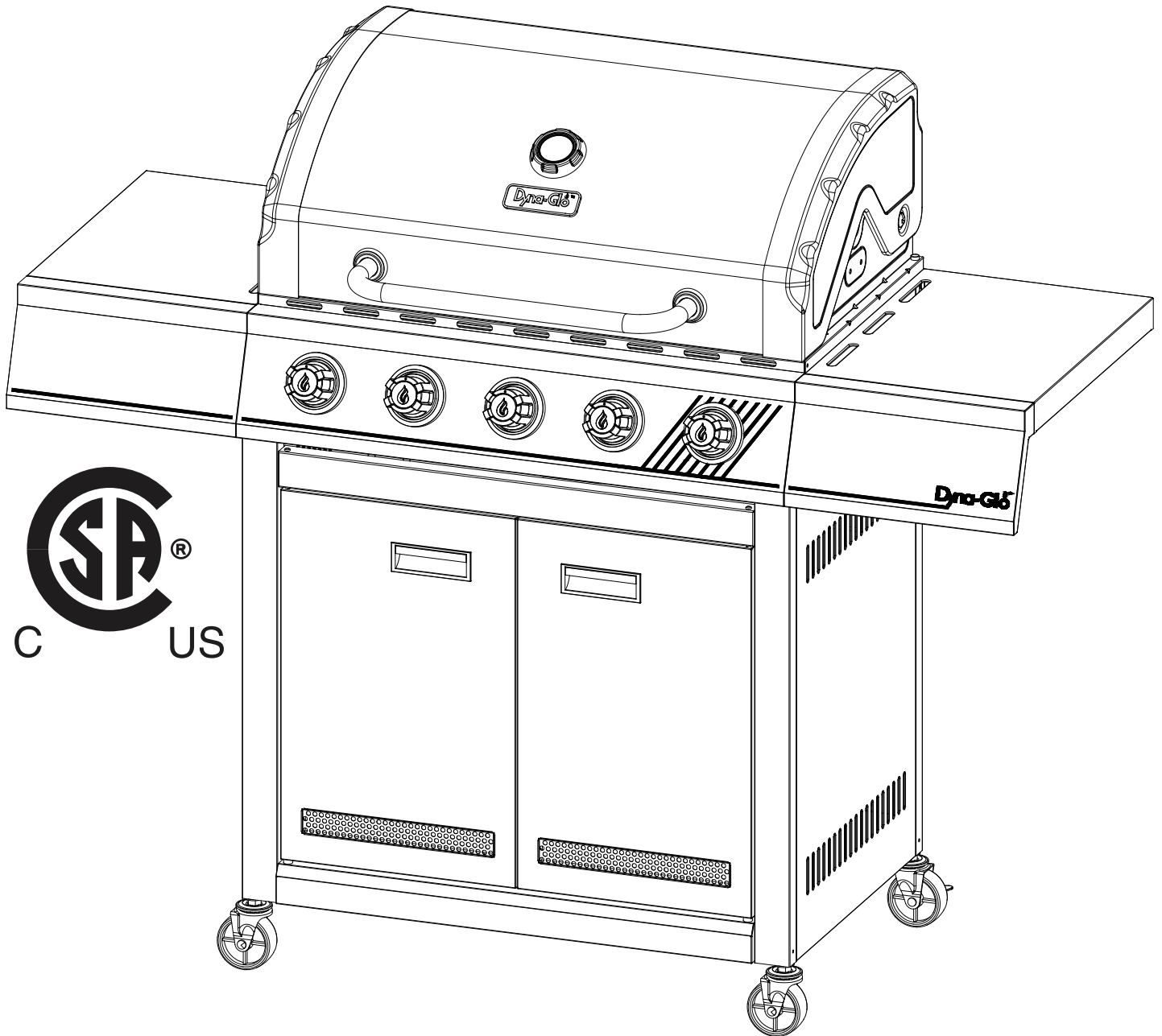
REPLACEMENT PARTS LIST

PART	DESCRIPTION	PART #
45	Cart right side panel assembly	70-01-938
46	Left door assembly	70-01-939
47	Right door assembly	70-01-940
48	Match holder-with chain	70-01-204
49	Door lower axis	70-09-115
50	Bottom shelf	70-01-941
51	Magnet	70-02-293
52	Cylinder retention screw assembly	70-02-292
53	Lower front cart frame	70-01-942
54	Non-locking swivel caster	70-05-100
55	Locking swivel caster	70-05-101
n/a	Hardware pack	70-09-545
n/a	Owner's instruction manual	70-10-130

Dyna-Glo®

BARBECUE AU PROPANE LIQUIDE À CINQ BRÛLEURS AVEC BRÛLEUR DE SAISIE

Modèle #DGH483CRP/DGH483CRP-D



JOIGNEZ VOTRE REÇU ICI

Numéro de série _____ Date d'achat _____



Des questions, des problèmes, des pièces manquantes? Avant de retourner l'article au détaillant, appelez notre service à la clientèle au 1-877-447-4768, 08:30-16 heures 30, HNC, du lundi - vendredi ou par e-mail à customerservice@ghpgroupinc.com.

TABLE DES MATIÈRES

Consignes de sécurité	34
Contenu de l'emballage	37
Quincaillerie incluse	38
Préparation	38
Instructions pour l'assemblage	39
Mode d'emploi	51
Entretien	56
Dépannage	59
Garantie	61
Liste des pièces de rechange	62

Assembleur ou installateur : Le présent manuel contient des renseignements importants qui permettent d'assembler l'appareil de façon adéquate et de l'utiliser en toute sécurité. Avant d'assembler et d'utiliser cet appareil, lisez et suivez tous les avertissements ainsi que toutes les instructions. **Remettez ces instructions au consommateur.**

Consommateur ou utilisateur : Lorsque vous utilisez cet appareil, suivez tous les avertissements et toutes les instructions. **Veillez conserver les présentes instructions aux fins de consultation ultérieure.**



DANGER :

S'il y a une odeur de gaz:

- 1. Coupez l'admission de gaz de l'appareil.**
- 2. Éteindre toute flamme nue.**
- 3. Ouvrir le couvercle.**
- 4. Si l'odeur persiste, éloignez-vous de l'appareil et appelez immédiatement le fournisseur de gaz ou le service d'incendie."**



AVERTISSEMENT :

- 1. Ne pas entreposer ni utiliser de l'essence ni d'autres vapeurs ou liquides inflammables dans le voisinage de l'appareil, ni de tout autre appareil.**
- 2. Une bouteille de propane qui n'est pas raccordée en vue de son utilisation, ne doit pas être entreposée dans le voisinage de cet appareil ou de tout autre appareil.**
- 3. Ce barbecue est conçu pour usage à l'extérieur seulement. Ne pas utiliser ni entreposer la bouteille dans un bâtiment, un garage, un auvent ou un endroit fermé.**
- 4. Ne laissez pas un barbecue allumé sans surveillance. Gardez le barbecue hors de la portée des enfants et des animaux en tout temps.**

CONSIGNES DE SÉCURITÉ

Assurez-vous de lire et de comprendre l'intégralité de ce manuel avant de tenter d'assembler, d'utiliser ou d'installer le produit. Si vous avez des questions concernant ce produit, veuillez téléphoner au service à la clientèle au 1-877-447-4768, 08:30-16 heures 30, HNC, du lundi - vendredi.

DANGER

- N'utilisez pas le barbecue dans un endroit présentant un risque d'explosion. Assurez-vous que l'espace autour du barbecue est propre et exempt de matériaux combustibles, d'essence et d'autres vapeurs ou liquides inflammables.



AVERTISSEMENT : LES COMBUSTIBLES UTILISÉS DANS LES APPAREILS FONCTIONNANT AU GAZ PROPANE LIQUÉFIÉ ET LES PRODUITS DE LEUR COMBUSTION PEUVENT VOUS EXPOSER À DES SUBSTANCES CHIMIQUES COMME LE BENZÈNE, RECONNU DANS L'ÉTAT DE LA CALIFORNIE COMME CAUSANT LE CANCER ET DES ANOMALIES CONGÉNITALES OU D'AUTRES PROBLÈMES DE REPRODUCTION. *Pour plus de renseignements, visitez le : www.P65Warnings.ca.gov.*

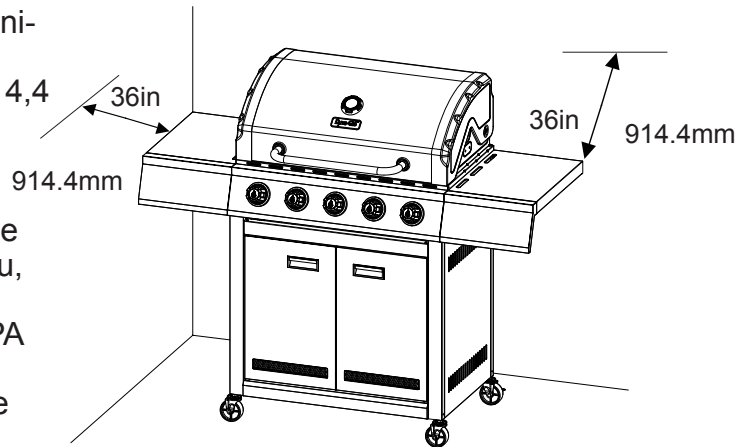
MISE EN GARDE

- N'utilisez jamais de gaz d'allumage pour charbon de bois ou d'essence à briquet avec ce barbecue.
- N'utilisez pas d'essence, de kérosène ni d'alcool pour l'allumage.
- La bouteille de propane liquéfié utilisée avec cet appareil doit être :
 - (a) fabriquée et identifiée conformément aux normes du Specifications for LP-Gas Cylinders of the U.S. Department of Transportation (D.O.T.) or the National Standard of Canada, CAN/CSA-B339, Cylinders, Spheres and Tubes for Transportation of Dangerous Goods; and Commission, s'il y a lieu;
 - (b) munie d'un dispositif reconnu de prévention des trop-pleins;
 - (c) dotée d'un dispositif de raccord de bouteille compatible avec le raccord des appareils de cuisson à l'extérieur. Ce barbecue n'est pas destiné à être utilisé ou installé sur un véhicule récréatif ou un bateau.
- Ne laissez jamais une bouteille pleine dans une voiture exposée à la chaleur ou dans un coffre de voiture. La chaleur entraînera une augmentation de la pression du gaz, ce qui risque de faire ouvrir la soupape de sécurité et de laisser le gaz s'échapper.
- Ouvrez toujours le couvercle du barbecue lentement et avec précaution, car la chaleur et la vapeur emprisonnées qui s'en échappent peuvent causer des brûlures graves.

! AVERTISSEMENT

- Ne pas utiliser cet appareil sous une surface combustible ou un auvent. Dégagement minimal entre les parois latérales et l'arrière de l'appareil et la construction combustible (914,4 mm (36 po) à partir des parois latérales et 914,4 mm (36 po) à partir de l'arrière).

REMARQUE : L'installation doit être effectuée conformément à la réglementation locale ou, en l'absence d'une telle réglementation, au National Fuel Gas Code, ANSI Z223.1/NFPA 54, Natural Gas and Propane Installation Code, CSA B149.1, ou au Propane Storage and Handling Code, B149.2.



! MISE EN GARDE

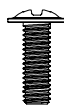
- Ne pas entreposer ni utiliser de l'essence ni d'autres vapeurs ou liquides inflammables dans le voisinage de l'appareil, ni de tout autre appareil. Ne rangez aucun produit inflammable dans le chariot du barbecue.
- Une bouteille de propane qui n'est pas raccordée en vue de son utilisation, ne doit pas être entreposée dans le voisinage de cet appareil ou de tout autre appareil.
- Ce barbecue est conçu pour être alimenté par du gaz naturel seulement.
- Ne tentez jamais de raccorder ce barbecue au système autonome d'alimentation en gaz propane d'un bateau d'une caravane, d'une autocaravane ou d'une résidence.
- Ne tentez jamais de déplacer le barbecue lorsqu'il est allumé ou toujours chaud. Verrouillez toujours les roulettes avec frein lorsque vous ne déplacez pas le barbecue.
- N'utilisez pas le barbecue tant qu'il n'est pas complètement assemblé et tant que toutes les pièces ne sont pas fixées et serrées solidement.
- Maintenez tout objet ou toute surface combustible à une distance d'au moins 91,44 cm (36 po) du barbecue, et ce, en tout temps.
- Ne touchez pas les éléments en métal du barbecue avant que celui-ci ne soit complètement refroidi (environ 45 minutes) afin d'éviter les brûlures, à moins d'utiliser des articles de protection (poignées, gants, mitaines pour le barbecue, etc.).
- Ne modifiez ce barbecue d'aucune façon.
- Nettoyez et inspectez le tuyau avant chaque utilisation. Si vous constatez des signes d'abrasion ou d'usure, ou s'il est coupé ou qu'il fuit, il est important de le remplacer avant de faire fonctionner l'appareil. Vous devez utiliser l'ensemble de tuyau de remplacement précisé par le fabricant, lequel est indiqué dans la liste des pièces de rechange de ce manuel.
- Éloignez les tuyaux à gaz le plus loin possible des surfaces chaudes ou des débordements de graisse chaude.
- Assurez-vous que le compartiment du robinet du barbecue, ses brûleurs et les conduits d'aération sont toujours propres. Inspectez le barbecue avant chaque utilisation. N'entravez pas le flux de gaz ou d'air de la ventilation.
- L'alcool, les médicaments sous ordonnance et les médicaments vendus sans ordonnance peuvent affecter les facultés de l'utilisateur, l'empêchant d'assembler ce barbecue correctement ou de l'utiliser de manière sécuritaire.
- Ne laissez pas un barbecue allumé sans surveillance. Gardez le barbecue hors de la portée des enfants et des animaux en tout temps.
- Ne le placez pas sur une table. Placez le barbecue sur une surface plane.
- N'utilisez pas ce barbecue dans des conditions de grands vents.

QUINCAILLERIE INCLUSE (grandeur réelle)

AA

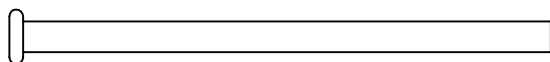
M6x16
Vis

Qté. 39

BB

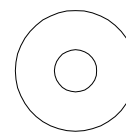
M4x12
Vis

Qté. 8

CC

Charnière supérieure
de la porte

Qté. 2

DD

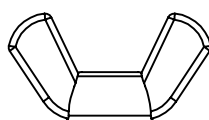
M6 Rondelle
Plate

Qté. 2

EE

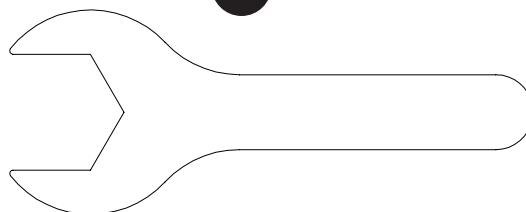
M6 Rondelle
élastique

Qté. 2

FF

M6 Écrou à
oreilles

Qté. 2

GG

M10
Clé

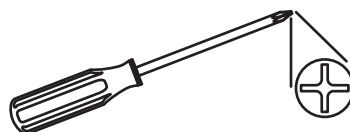
Qté. 1

PRÉPARATION

Avant de commencer l'assemblage du produit, assurez-vous d'avoir toutes les pièces. Comparez les pièces dans l'emballage avec la liste des pièces de la page précédente et la quincaillerie indiquée ci-dessus. S'il y a des pièces manquantes ou endommagées, ne tentez pas d'assembler le produit. Communiquez avec le service à la clientèle pour obtenir des pièces de rechange.

Temps d'assemblage approximatif : 50 minutes, par deux personnes

Outils nécessaires pour l'assemblage et la vérification des fuites (non inclus) : tournevis cruciforme et vaporisateur



⚠ MISE EN GARDE

CET ARTICLE EST LOURD. DEUX PERSONNES SONT NÉCESSAIRES POUR ASSEMBLER L'ARTICLE EN TOUTE SÉCURITÉ.

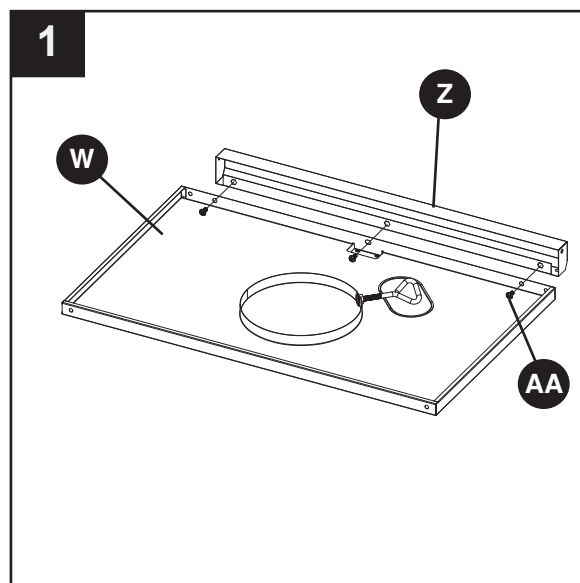
Deux personnes sont nécessaires pour l'assembler en toute sécurité. Soyez prudent, car certaines pièces peuvent avoir des bords coupants. Au besoin, portez des gants protecteurs. Lisez et respectez tous les énoncés sur la sécurité et les avertissements, et suivez toutes les instructions pour l'assemblage ainsi que la section sur l'entretien de l'article avant de tenter d'assembler et d'utiliser cet article.

INSTRUCTIONS POUR L'ASSEMBLAGE

1. Fixez la pièce frontale inférieure du chariot (Z) à l'étagère inférieure (W) avec trois vis M6x16 (AA).


Quincaillerie utilisée

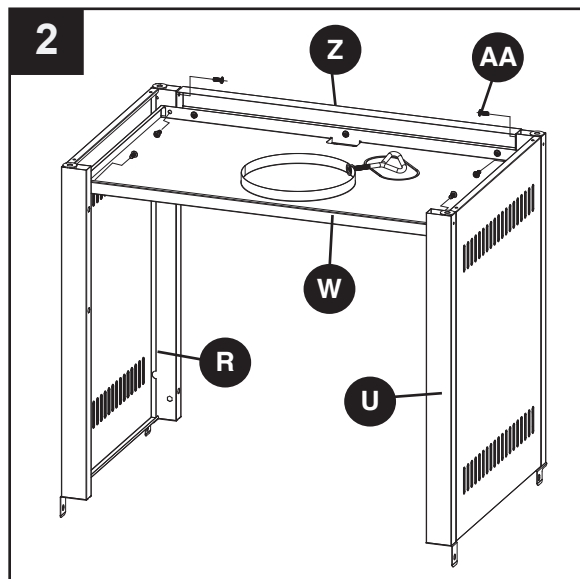
AA M6x16 Vis  x 3



2. Fixez le panneau gauche du chariot (R) et le panneau droit du chariot (U) à la pièce frontale inférieure du chariot (Z) ainsi que l'étagère du bas (W) avec six vis M6x16 (AA).

Quincaillerie utilisée

AA M6x16 Vis  x 6

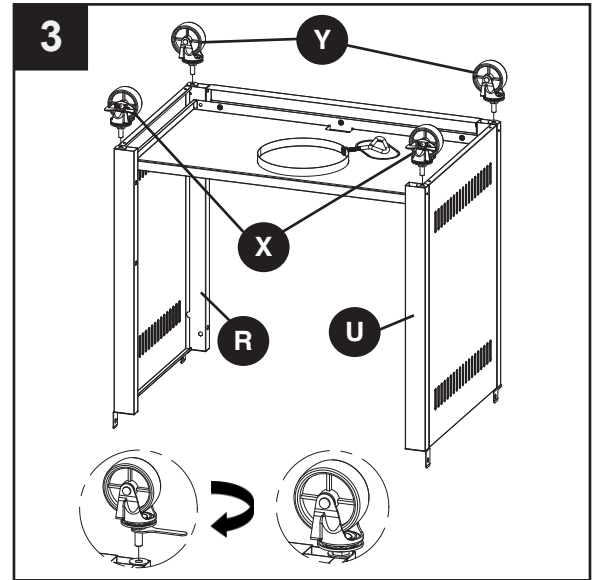


INSTRUCTIONS POUR L'ASSEMBLAGE

3. Fixez 2 roulettes à blocage (X) et 2 roulettes sans blocage (Y) au panneau gauche du chariot (R) ainsi qu'au panneau droit du chariot (U) avec la clé M10 (GG).


Quincaillerie utilisée

GG M10 Clé  x 1

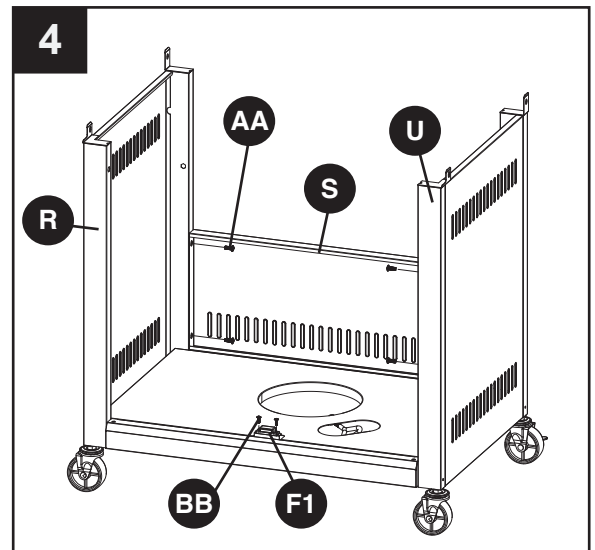


4. Fixez le panneau arrière du chariot (S) au panneau gauche du chariot (R) ainsi qu'au panneau droit du chariot (U) avec quatre vis M6x16 (AA). Fixez l'aimant (F1) à l'étagère du bas (W) avec deux vis M4x12 (BB).

Quincaillerie utilisée

AA M6x16 Vis  x 4


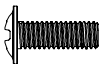
BB M4x12 Vis  x 2

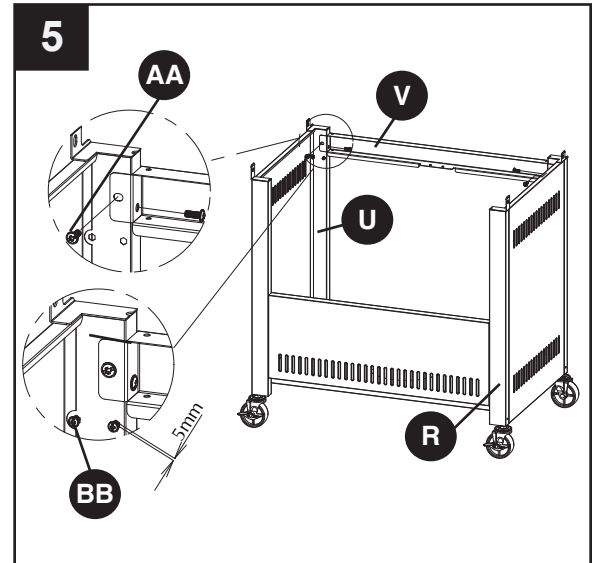


INSTRUCTIONS POUR L'ASSEMBLAGE

5. Fixez le support supérieur des portes (V) au panneau gauche du chariot (R) ainsi qu'au panneau droit du chariot (U) avec quatre vis M6x16 (AA). Pré-assemblez deux vis M4x12 (BB) sur l'ensemble du panneau latéral droit du chariot (U) et ne pas les serrer. Assurez-vous de laisser un espace de 5mm entre la vis et le panier côté droit de l'assemblage du panneau latéral.

Quincaillerie utilisée

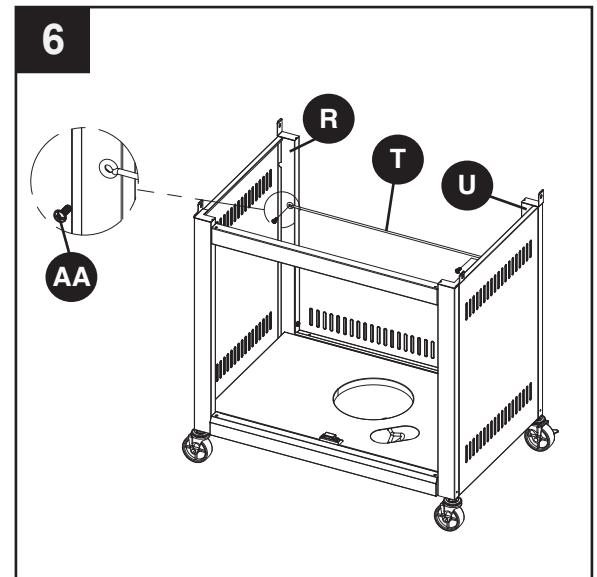
AA	M6x16 Vis		x 4
BB	M4x12 Vis		x 2



6. Fixez pièce d'exclusion de la bouteille (T) à l'arrière du panneau latéral gauche ou droit du chariot avec deux vis M6x16 (AA).

Quincaillerie utilisée

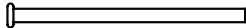
AA	M6x16 Vis		x 2
-----------	-----------	---	-----

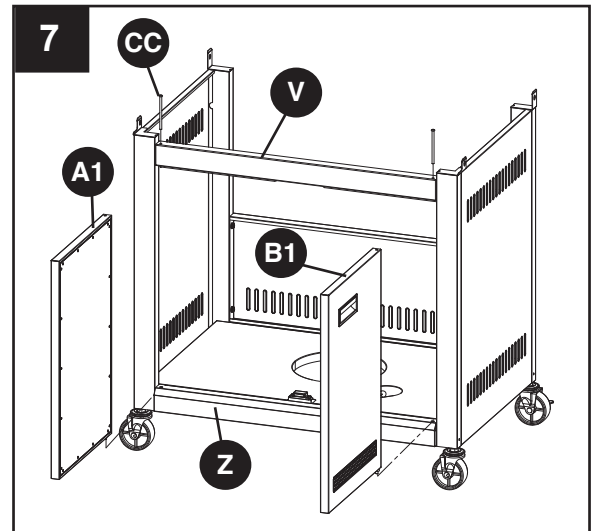


INSTRUCTIONS POUR L'ASSEMBLAGE

7. Insérez le pivot de la porte gauche (A1) dans le trou de la partie inférieure du chariot (Z). Insérez charnière supérieure de la porte (CC) dans le trou du chariot (V) et dans le trou de la partie supérieure de la porte (A1), comme illustré. Faites la même chose avec la porte droite (B1).

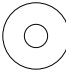

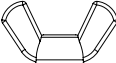
Quincaillerie utilisée

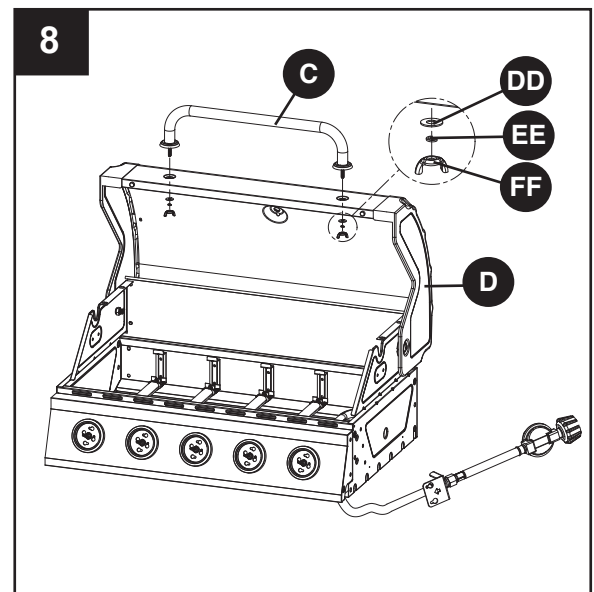
CC	Charnière supérieure de la porte		x 2
-----------	----------------------------------	---	-----



8. Fixez la poignée du couvercle (C) du barbecue (D) avec deux écrous à oreilles M6 (FF), deux rondelles élastique (EE) et deux rondelles plates (DD).

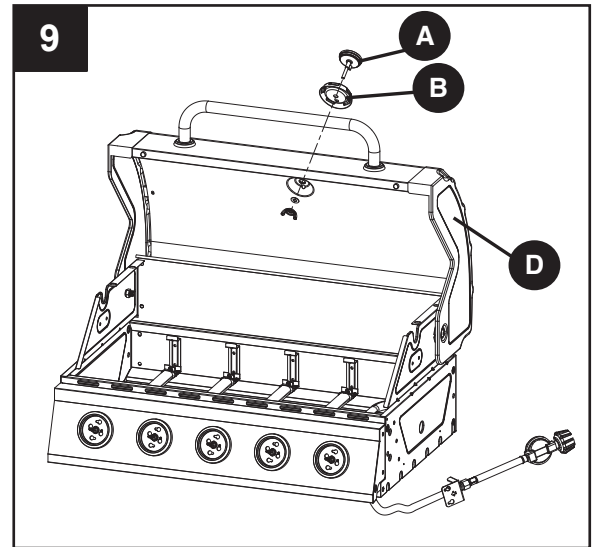
Quincaillerie utilisée

DD	M6 Rondelle Plate		x 2
EE	M6 Rondelle élastique		x 2
FF	M6 Écrou à oreilles		x 2

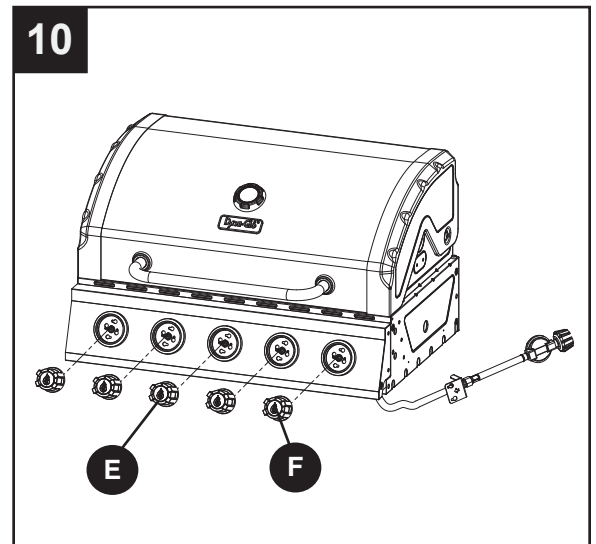


INSTRUCTIONS POUR L'ASSEMBLAGE

9. D'abord, enlevez l'écrou à oreilles et la rondelle plate préassemblés sur la jauge de température (A), puis fixez la jauge de température (A) et sa collerette (B) au boîtier du barbecue (D). Faites tenir l'indicateur de température (A) avec l'écrou à oreilles et la rondelle plate que vous venez d'enlever.



10. Assemblez les boutons des quatre brûleurs principaux (E) et le bouton du brûleur de saisie (F).




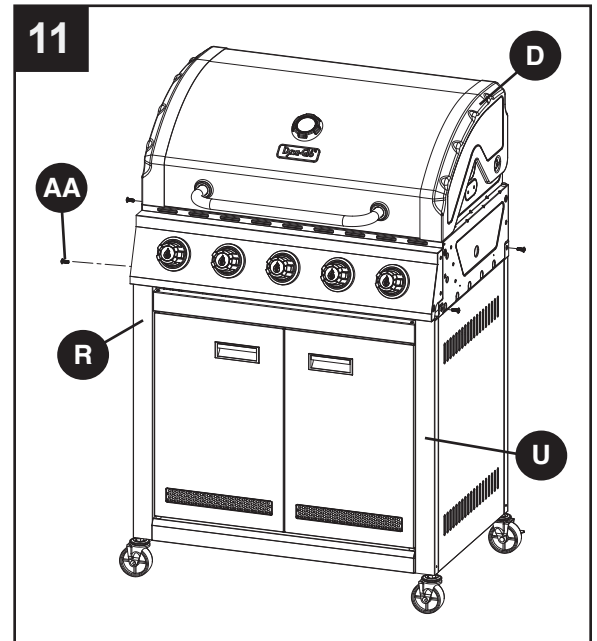
INSTRUCTIONS POUR L'ASSEMBLAGE

11. Installez prudemment le boîtier du barbecue (D) sur le panneau gauche du chariot (R) et sur le panneau droit du chariot (U). Ajustez le boîtier du barbecue (D) afin que les trous du boîtier du barbecue (D) soient alignés avec les trous des languettes du panneau gauche du chariot (R) et du panneau droit du chariot (U).

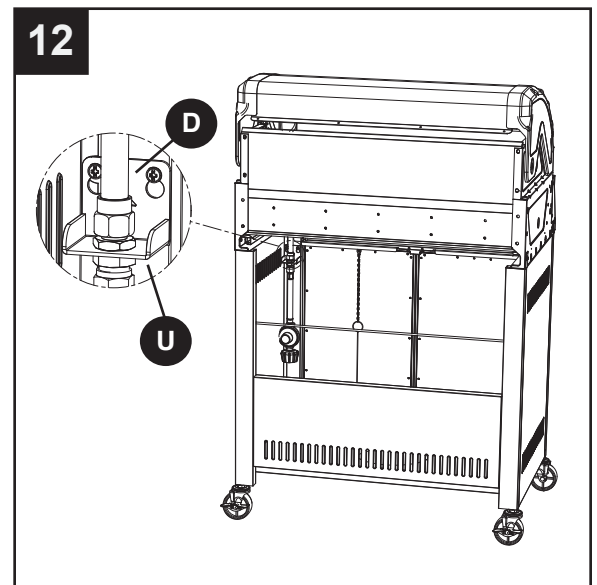
Note: Soyez certain que le tuyau et le détendeur à gaz se trouvent à l'intérieur du chariot. Fixez le boîtier du barbecue (D) avec quatre vis M6X16 (AA).

Quincaillerie utilisée

AA M6x16 Vis  x 4



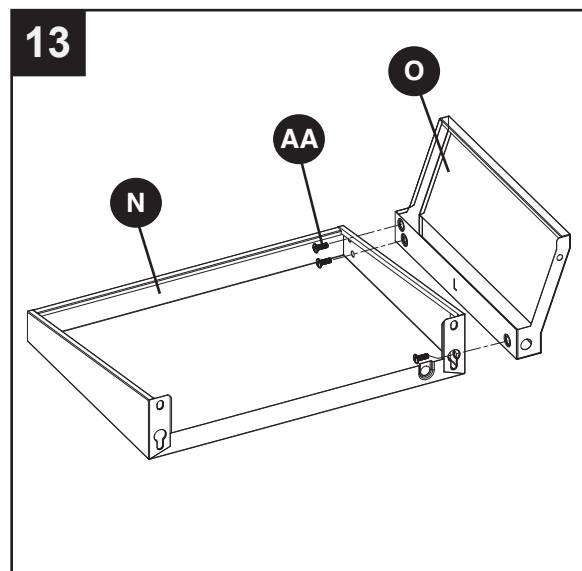
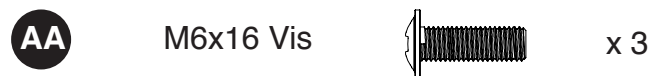
12. Alignez les trous du boîtier du barbecue (D) avec les deux vis insérées dans le panneau droit du chariot (U), puis serrez toutes les vis.



INSTRUCTIONS POUR L'ASSEMBLAGE

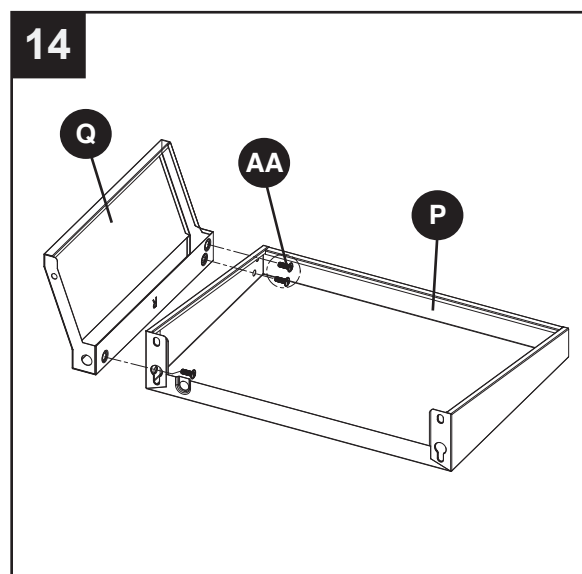
13. Fixez le panneau frontal de la tablette gauche (O) à la tablette latérale gauche (N) à l'aide de trois vis M6 x 16 mm (AA).

Quincaillerie utilisée



14. Fixez le panneau frontal de la tablette droite (Q) à la tablette latérale droite (P) à l'aide de trois vis M6 x 16 mm (AA).

Quincaillerie utilisée

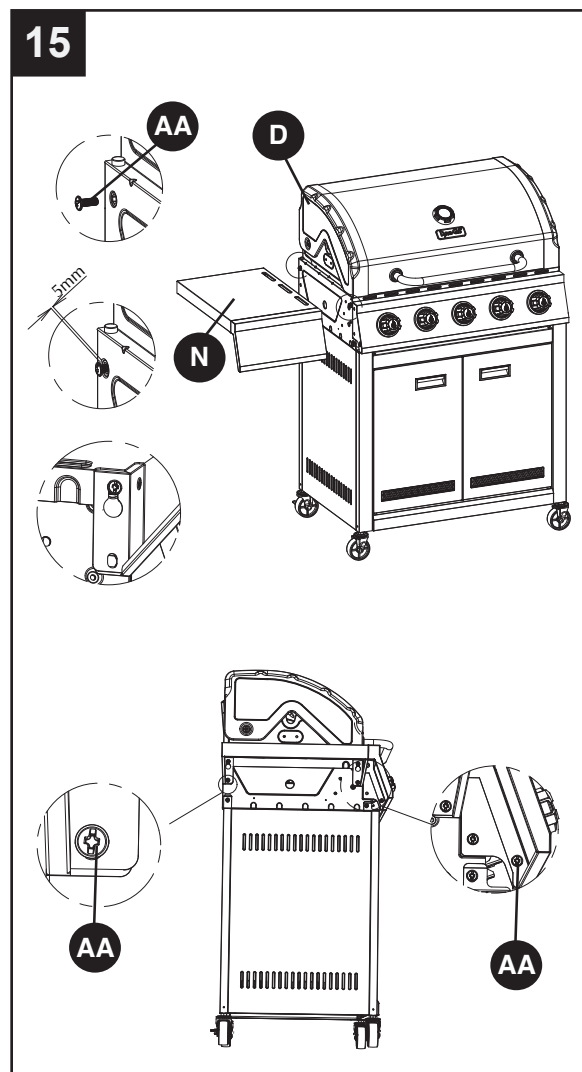


INSTRUCTIONS POUR L'ASSEMBLAGE

15. Insérez deux vis M6 x 16 mm (AA) dans le côté gauche du boîtier du barbecue (D), comme illustré, en laissant 5 mm de filet exposé. Alignez les trous de la tablette latérale gauche (N) avec les deux vis insérées dans le boîtier du barbecue (D), puis insérez trois vis M6 x 16 mm (AA) dans les derniers trous du boîtier du barbecue (D). Ajustez adéquatement la tablette latérale gauche (N), puis serrez les vis.

Quincaillerie utilisée

AA M6x16 Vis  x 5

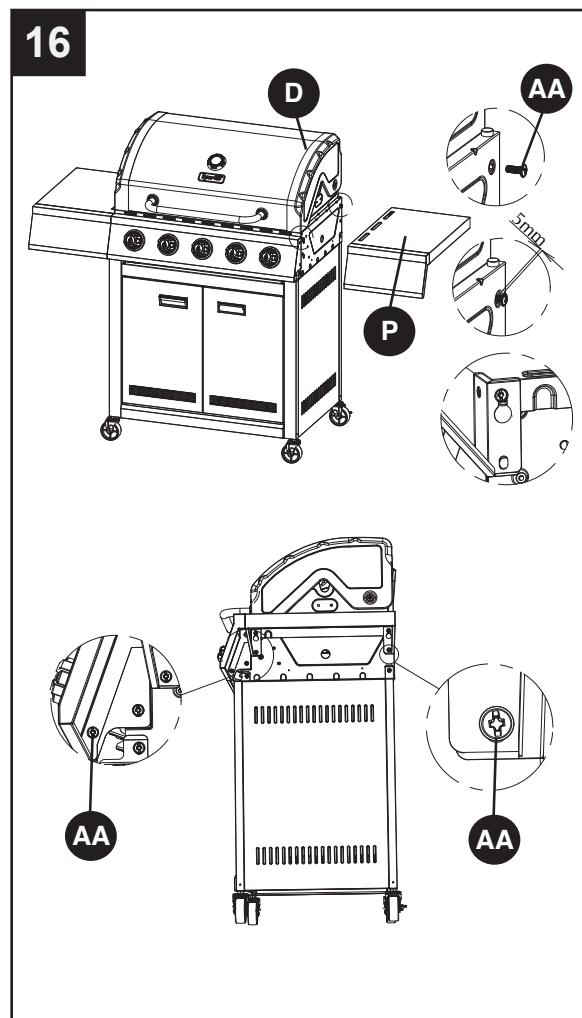


INSTRUCTIONS POUR L'ASSEMBLAGE

16. Insérez deux vis M6 x 16 mm (AA) dans le côté droit du boîtier du barbecue (D), comme illustré, en laissant 5 mm de filet exposé. Alignez les trous de la tablette latérale droite (N) avec les deux vis insérées dans le boîtier du barbecue (D), puis insérez trois vis M6 x 16 mm (AA) dans les derniers trous du boîtier du barbecue (D). Ajustez adéquatement la tablette latérale droite (N), puis serrez les vis.

Quincaillerie utilisée

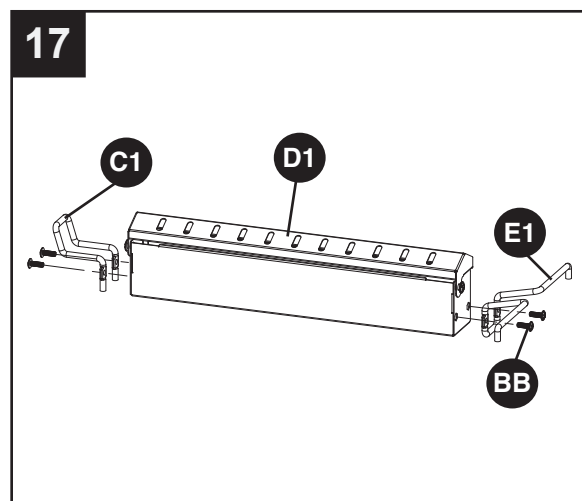
AA M6x16 Vis  x 5



17. Fixez le support avant (C1) et le support arrière (E1) prévus à cet effet sur la chambre de combustion du fumoir (D1) à l'aide de quatre vis M4 x 12 (BB).

Quincaillerie utilisée

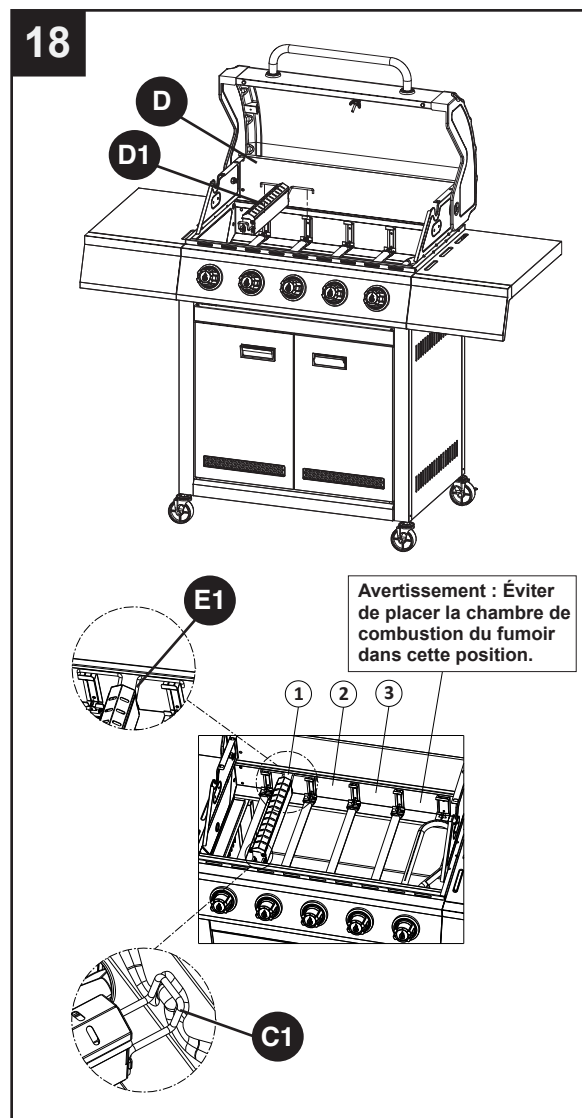
BB M4x12 Vis  x 4



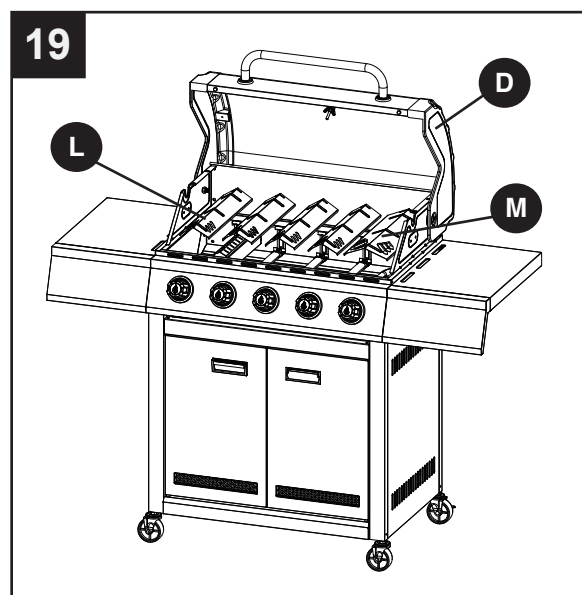
INSTRUCTIONS POUR L'ASSEMBLAGE

18. Instructions sur l'utilisation de la chambre de combustion du fumoir (facultative) : Remplissez la chambre de combustion du fumoir avec des copeaux de bois trempés. Ouvrez le couvercle. À l'aide du support avant (C1) et du support arrière (E1) prévus à cet effet, positionnez la chambre de combustion du fumoir (D1) dans le boîtier du barbecue (D) à l'un des trois emplacements indiqués sur l'image ci-contre. Suivez les instructions d'allumage jusqu'à ce que les copeaux de bois commencent à fumer. Pour optimiser les résultats et la durée du fumage, réduisez la chaleur une fois que les copeaux de bois commencent à fumer.

Remarque : La chambre de combustion du fumoir (D1) doit être positionnée dans le boîtier du barbecue (D) seulement si l'utilisateur souhaite fumer sa nourriture lors de la cuisson. Pour utiliser seulement la fonction de grillage, retirer la chambre de combustion du fumoir du boîtier du barbecue.



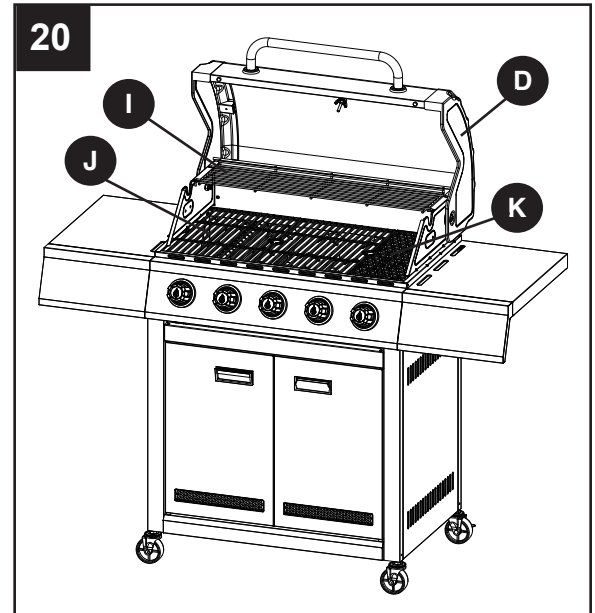
19. Placez les plaques de rayonnement des quatre brûleurs principaux (L) et celle du brûleur de saisie (M) dans le boîtier du barbecue (D).



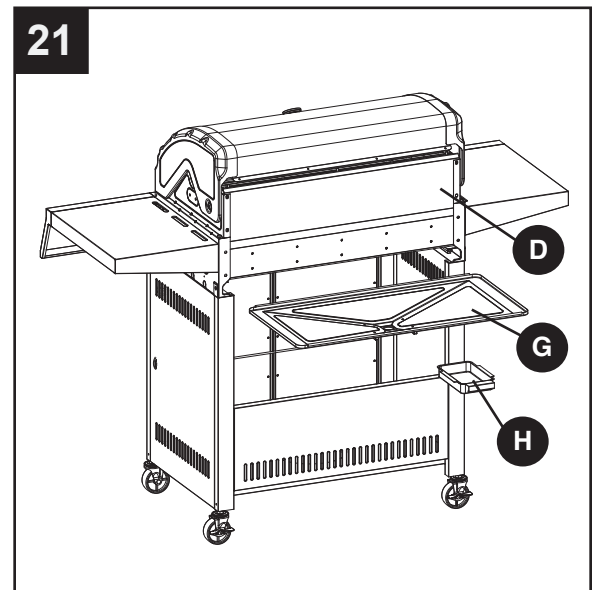
INSTRUCTIONS POUR L'ASSEMBLAGE

20. Dans le boîtier du barbecue, placez les deux grilles de cuisson des brûleurs principaux (J) et la grille de cuisson du brûleur de saisie (K) comme illustré sur l'image ci-contre. Installez le chauffe-plat (I) dans le boîtier du barbecue (D).

NOTE : Installez le chauffe-plat (I) en insérant ses pivots dans les 4 trous sur les côtés du barbecue (D).




21. Installez le plateau à graisse (G) en le glissant de l'arrière dans le boîtier du barbecue (D), comme illustré. Il faut utiliser les rails de glissement juste en dessous du boîtier du barbecue (D). Installez le récipient à graisse (H) en le glissant sur les rails en dessous du plateau à graisse (G).

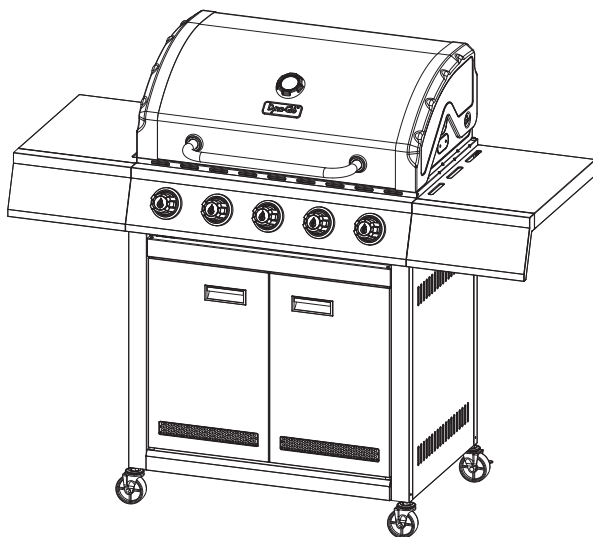


INSTRUCTIONS POUR L'ASSEMBLAGE

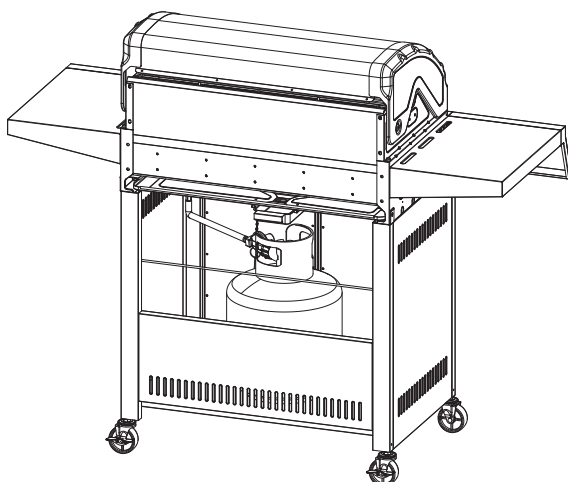
22. Ouvrez la porte gauche (A1) et la porte droite (B1). Placez la bouteille de propane liquide (vendue séparément) dans le range-bouteille situé sur la tablette inférieure (W). Tournez la bouteille de propane liquide jusqu'à ce que le raccord du tuyau/régulateur soit aligné avec la vanne fileté de la bouteille. Serrez à la main le raccord du tuyau/régulateur sur la vanne fileté de la bouteille de propane.

À l'avant du chariot, serrez la vis du réservoir dans le sens horaire  jusqu'à ce que le réservoir soit bien fixé dans le range-bouteille de la tablette inférieure (W).

Assemblage Complet

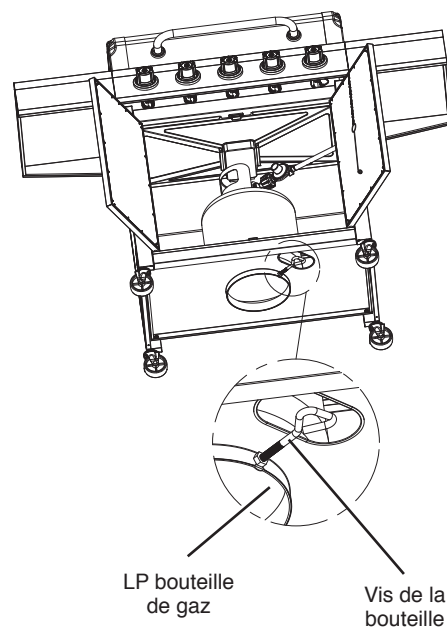
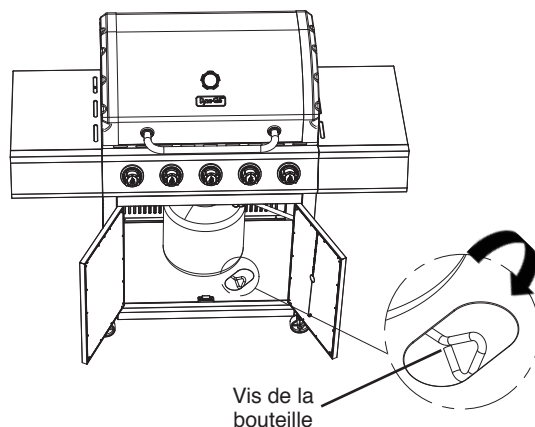
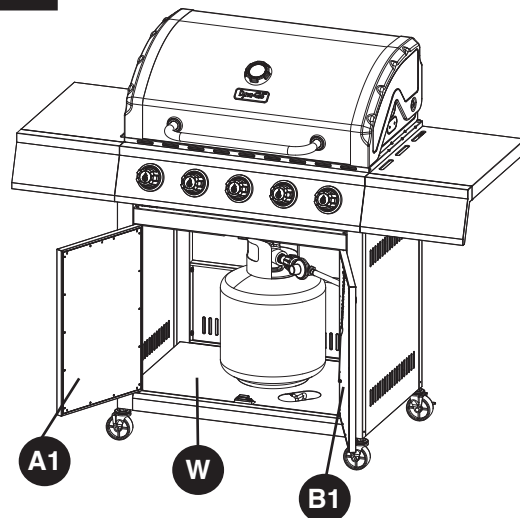


Vue de Face



Vue de l'arrière

22



Détection Des Fuites

Après avoir fait tous les branchements, vérifiez s'il y a des fuites en vaporisant de l'eau savonneuse sur le robinet du réservoir de propane liquéfié, le tuyau de gaz et le régulateur.

Pour prévenir les incendies ou les explosions lorsque vous tentez de détecter les fuites :

- Procédez toujours à la détection des fuites avant d'allumer le barbecue.
- Ne fumez pas lorsque vous vérifiez la présence de fuites.
- Procédez toujours à la détection des fuites à l'extérieur, dans un endroit bien aéré.
- N'utilisez aucune source de flamme lorsque vous vérifiez la présence de fuites.
- N'utilisez pas le barbecue tant que toutes les fuites n'ont pas été colmatées.
- Si vous ne pouvez colmater une fuite, débranchez immédiatement l'alimentation et appelez un service de réparation d'appareils.

Vérification Des Fuites

• Préparez une solution afin de procéder à la vérification des fuites; mélangez une part de savon à vaisselle liquide et trois parts d'eau. Vous aurez besoin d'environ 70 à 90 ml (2 à 3 oz) de liquide.

Versez la solution en question dans un vaporisateur.

- Assurez-vous que tous les boutons de commandes sont à la position O « OFF » (arrêt).
- Branchez le tuyau de gaz à l'alimentation en gaz.
- Ouvrez le robinet de la bouteille de gaz de pétrole liquéfié.
- Vaporisez la solution sur tous les branchements et les raccords dans lesquels circule du gaz. La présence de bulles à un endroit où vous avez appliqué la solution d'eau savonneuse indique une fuite de gaz. Si vous détectez ou entendez une fuite, ou si vous sentez une odeur de gaz, fermez immédiatement le robinet d'alimentation en gaz et réparez ou remplacez la pièce défectueuse. N'utilisez pas le barbecue tant que les fuites n'ont pas toutes été colmatées.

MISE EN GARDE

Utilisez uniquement l'ensemble régulateur et tuyau fourni! Si vous avez besoin d'une pièce de rechange, communiquez avec le service à la clientèle. N'utilisez pas de pièces de rechange qui ne sont pas conçues pour ce barbecue.

AVERTISSEMENT

TOUTES LES INSTRUCTIONS ET MESURES DE SAUVEGARDE SUR CETTE PAGE DOIVENT ÊTRE SUIVIES POUR PRÉVENTION INCENDIE, DOMMAGES ET / OU DE BLESSURES.

MODE D'EMPLOI

RACCORD DE LA BOUTEILLE DE GAZ

La bouteille de propane liquéfié utilisée doit être fabriquée et identifiée conformément aux normes pour les bouteilles de propane liquéfié du Specifications for LP Gas Cylinders of the U.S. Department of Transportation (D.O.T.) or the National Standard of Canada, CAN/CSA-B339, Cylinders, Spheres and Tubes for Transportation of Dangerous Goods; and Commission, le cas échéant, et munie d'un dispositif de protection contre les débordements.

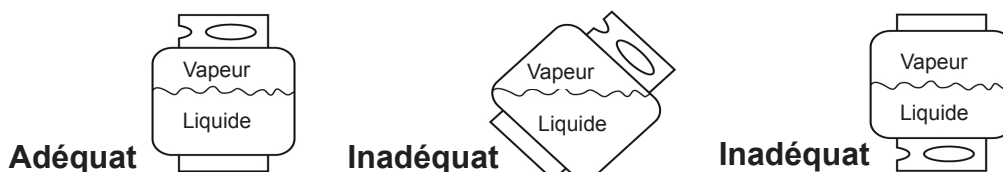
Utilisez seulement une bouteille de 9,07 kg (hauteur de 45,99 cm, diamètre de la bouteille de 24,99 cm, diamètre du pied de 20,4 cm) dotée d'un dispositif de raccord de bouteille compatible avec le raccord des appareils de cuisson à l'extérieur. La bouteille doit comporter un collet protecteur pour le robinet. Prenez soin de ne pas échapper la bouteille de gaz ni la manipuler rudement!

Déconnectez la bouteille de gaz lorsque l'appareil n'est pas utilisé. Il est permis d'entreposer l'appareil à l'intérieur UNIQUEMENT si la bouteille de gaz est déconnectée et retirée de l'appareil. La bouteille doit être entreposée à l'extérieur et placée hors de la portée des enfants. Elle ne doit pas être entreposée dans un immeuble, un garage ou tout autre espace clos. Il ne faut jamais l'entreposer dans un endroit où la température peut excéder 51,7 °C.

Mettez un bouchon antipoussière sur la sortie du robinet d'une bouteille qui n'est pas utilisée. Utilisez uniquement le type de bouchon antipoussière fourni avec le robinet de la bouteille. D'autres types de bouchons pourraient ne pas être étanches et permettre des fuites de propane.

Avant de faire le raccord, assurez-vous qu'aucun débris n'obstrue le tuyau de sortie de la bouteille de gaz, du manodétendeur, du brûleur ou des orifices du brûleur. Raccordez le manodétendeur et resserrez-le à la main fermement. Fermez le robinet de la bouteille, puis déconnectez la bouteille de propane du manodétendeur lorsque le barbecue n'est pas utilisé.

N'ENTRAVEZ PAS le flux d'air de combustion et de ventilation se rendant au barbecue. La bouteille de propane doit être munie d'un système permettant le retrait de la vapeur et d'un dispositif reconnu de prévention des trop-pleins. Veuillez orienter la bouteille dans le sens indiqué pour permettre le retrait de la vapeur. REMARQUE : La bouteille de gaz doit toujours être en position verticale afin de permettre uniquement le retrait de la vapeur.



⚠ MISE EN GARDE

- N'entreposez pas de bouteille de GPL sous le barbecue ou à proximité de celui-ci.
- Ne remplissez jamais une bouteille de GPL à plus de 80 % de sa capacité.
- Si les directives mentionnées au point (a) et au point (b) ne sont pas suivies exactement, un incendie causant la mort ou des blessures graves peut se produire.





MODE D'EMPLOI

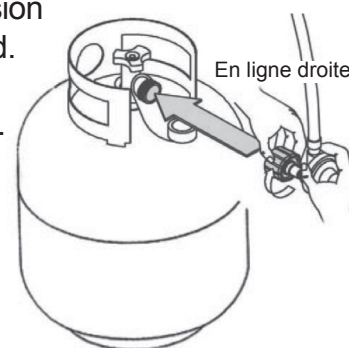
REMARQUE : Vous pouvez utiliser d'autres bouteilles avec cet appareil, pourvu qu'elles conviennent au trou pour la bouteille et aux dispositifs de fixation. Consultez l'étape 22 des instructions pour l'assemblage pour connaître la manière adéquate de fixer une bouteille au support de bouteille.

⚠ AVERTISSEMENT

TOUTES LES INSTRUCTIONS ET MESURES DE SÉCURITÉ QUI SUIVENT DOIVENT ÊTRE RESPECTÉES AFIN DE PRÉVENIR LES INCENDIES, LES DOMMAGES ET LES BLESSURES.

RACCORDEMENT DE LA BOUTEILLE DE PROPANE

1. Le robinet de la bouteille de propane doit être fermé. Pour vérifier si c'est le cas, assurez-vous qu'il n'est pas possible de le tourner davantage dans le sens des aiguilles  d'une montre. Le système d'alimentation de la bouteille doit être placé de façon à permettre le retrait du propane à l'état gazeux.
 2. Vérifiez que le bouton de commande du dispositif de commande du brûleur est à la position « OFF » (arrêt).
 3. Retirez le capuchon de protection du robinet du réservoir de propane liquéfié et de l'écrou d'accouplement.
 4. Tenez le régulateur dans une main et insérez le mamelon dans le tuyau de sortie. Assurez-vous que le mamelon est bien centré dans le tuyau de sortie. L'écrou d'accouplement se visse sur les filets extérieurs de grande dimension du tuyau de sortie. Faites attention de ne pas fausser le filetage du raccord.
 5. Serrez l'écrou d'accouplement à la main dans le sens des aiguilles  d'une montre jusqu'à ce qu'il ne soit plus possible de le tourner davantage. Vissez-le fermement à la main seulement. N'utilisez pas d'outils.
- Déconnexion : Fermez complètement le robinet du réservoir en tournant dans le sens des aiguilles  d'une montre. Tournez dans le sens contraire  des aiguilles d'une montre jusqu'à ce que l'écrou se détache du régulateur.



⚠ AVERTISSEMENT

Lorsque vous effectuez les raccordements, assurez-vous que :

- le connecteur de l'orifice d'entrée du régulateur est correctement et solidement raccordé au tuyau de sortie de la bouteille;
- le tuyau de gaz propane liquéfié ne touche pas au foyer du barbecue.

MODE D'EMPLOI

ALLUMAGE DU BARBECUE

Avant la première utilisation :









Retirez toutes les étiquettes et les courroies de plastique, le cas échéant. Avant d'utiliser votre nouveau barbecue au gaz, il est nécessaire de le nettoyer à la chaleur. Pour ce faire, faites fonctionner le barbecue pendant une quinzaine de minutes; le couvercle doit être fermé et le bouton de commande, à la position maximale. De cette façon, la chaleur brûlera tous les résidus et dissipera l'odeur provenant du processus de fabrication, nettoyant ainsi les pièces internes.

⚠ MISE EN GARDE

Si la flamme s'éteint accidentellement pendant l'allumage ou l'utilisation du barbecue, FERMEZ immédiatement le robinet de la bouteille de propane, puis FERMEZ le bouton de commande du brûleur.

⚠ AVERTISSEMENT




Ne vous penchez pas au-dessus du barbecue lorsque vous l'allumez. Lisez les instructions avant d'allumer l'appareil. Ne mettez pas des casseroles sur le brûleur latéral pour saisir. Utilisant des casseroles sur le brûleur latéral pour saisir créera des hauts niveaux de monoxyde de carbone. .

1. Vérifiez que les boutons de contrôle sont dans la position  d'arrêt.
2. Ouvrez entièrement la valve du réservoir de gaz propane, dans le sens  antihoraire.
3. Ouvrez le couvercle lors de l'allumage.
4. Appuyez sur le bouton de commande et tournez-le dans le sens contraire des aiguilles d'une montre  de façon à ce qu'il passe de la position  « off » (arrêt) à la position ignite (allumage) , et enfin à la position haute intensité  pour les brûleurs principaux et  le brûleur de saisie. Il se peut que vous ayez à répéter cette étape plusieurs fois pour allumer le brûleur. Si le brûleur ne s'allume pas après cinq secondes, tournez les boutons de commande jusqu'à la position  « off » (arrêt), attendez cinq minutes et répétez les étapes d'allumage.

Si le brûleur ne s'allume toujours pas, vérifiez qu'il y a du gaz dans la bouteille, puis suivez les instructions pour l'allumage avec une allumette.

MODE D'EMPLOI

ALLUMAGE DU BARBECUE AVEC UNE ALLUMETTE

1. Ouvrez le couvercle.
2. Insérez une allumette à l'extrémité du support à allumettes situé à l'intérieur de la porte du charriot.
3. Allumez l'allumette.
4. Insérez sans tarder l'allumette enflammée dans le trou de 20 mm (0,75 po) situé sur le côté du corps du barbecue le plus près du brûleur que vous souhaitez allumer. Assurez-vous que l'allumette enflammée est près des orifices du brûleur.
5. Appuyez sur le bouton de commande du brûleur, puis faites-le tourner en sens antihoraire  jusqu'à la position de haute intensité  pour les brûleurs principaux et  le brûleur de saisie : les brûleurs devraient s'allumer instantanément.
6. Répétez les étapes 2 à 5 afin d'allumer l'autre brûleur.
7. Réglez les brûleurs à l'intensité de cuisson désirée.

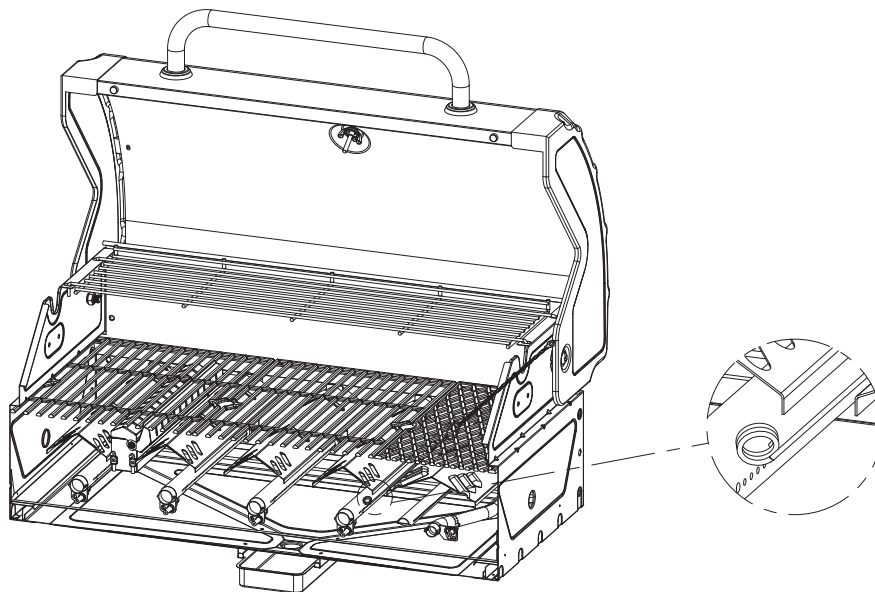
⚠ MISE EN GARDE

Assurez-vous que toutes les commandes des brûleurs sont éteints, sauf le brûleur étant allumé et les brûleurs qui ont été allumés.



⚠ AVERTISSEMENT

Si l'allumage ne se produit pas en 5 secondes, mettez les boutons de commande en position d'arrêt (O). Attendez 5 minutes et recommencez la procédure d'allumage.

Allumage à l'allumette du brûleur principal



INSTRUCTIONS POUR L'ARRÊT

1. Tournez les boutons de commande dans le sens des  aiguilles d'une montre jusqu'à la position O arrêt.
2. Fermez complètement le robinet du réservoir en le tournant dans le sens des  aiguilles d'une montre.
3. Fermez le couvercle.

Couper l'alimentation en gaz PL à la bouteille si l'appareil n'est pas utilisé.

ENTRETIEN

GRILLES DE CUISSON

Il est recommandé de brûler les résidus sur la grille de cuisson environ quinze minutes après chaque utilisation. Le barbecue est encore chaud et nécessite donc moins de gaz pour atteindre la chaleur nécessaire pour brûler les résidus.

Pour brûler les résidus ou nettoyer votre barbecue par la chaleur, allumez les brûleurs à la position maximale et laissez-les fonctionner pendant 15 minutes, le couvercle du barbecue fermé. Ensuite, éteignez les brûleurs et utilisez une brosse métallique afin de nettoyer les résidus de nourriture qui se trouvent sur les grilles.

Les grilles de porcelaine ont un fini d'émail vitrifié (semblable au verre). Veillez à les manipuler avec soin pour ne pas les ébrécher.

⚠ MISE EN GARDE

Avant de nettoyer et d'entretenir le barbecue, assurez-vous qu'il est refroidi et que l'alimentation en gaz de la bouteille de propane est fermée.

Produits De Nettoyage Recommandés

Savon à vaisselle liquide doux, eau tiède, tampon à récurer en nylon, brosse métallique.

N'utilisez PAS de produits nettoyants contenant de l'acide, de l'essence minérale ou toute substance abrasive.

Surfaces Extérieures

Il est recommandé de n'utiliser que du savon à vaisselle liquide doux et de l'eau chaude pour nettoyer le barbecue et les pièces de celui-ci. Rincez à l'eau tiède.

Cuvette Inférieure À L'intérieur Du Corps Du Barbecue

Afin d'éviter les montées de flammes, il est recommandé de nettoyer régulièrement la cuvette inférieure située à l'intérieur du barbecue. Enlevez les résidus à l'aide d'une brosse, d'un grattoir ou d'un tampon à récurer. Nettoyez doucement à l'aide de savon à vaisselle liquide doux et d'eau tiède. Rincez à l'eau tiède. Évitez d'éclabousser les tubes diffuseurs des brûleurs.

Plaques Chauffantes

Nettoyez les résidus à l'aide d'une brosse métallique et avec du savon à vaisselle doux et de l'eau tiède. Rincez à l'eau tiède.

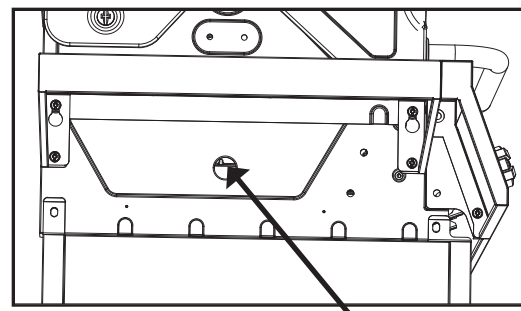
Bac Ramasse-Graisse

Videz le bac ramasse-graisse, puis nettoyez-le régulièrement avec du savon à vaisselle liquide doux et de l'eau tiède.

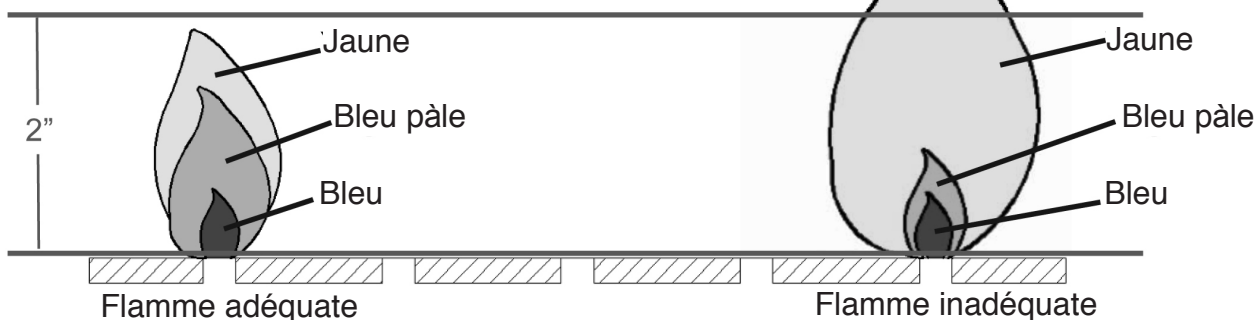
Vérification De La Flamme

Pour obtenir un rendement énergétique optimal ainsi qu'une excellente cuisson, la flamme devrait être jaune et bleue, et sa hauteur, d'environ 2,5 cm à 5 cm.

Pour vérifier la flamme, regardez-la à travers le trou conçu pour allumer les brûleurs à l'aide d'une allumette, situé sur le côté du foyer.



Trou pour visualiser la flamme



ENTRETIEN

ENSEMBLE DE BRÛLEUR

RETRAIT DE L'ENSEMBLE DE BRÛLEUR

1. Assurez-vous que tous les boutons de commande sont à la position « OFF » (arrêt), que le robinet du réservoir de propane liquéfié est fermé et que ce dernier n'est relié ni au régulateur ni au barbecue.
2. Ouvrez ensuite le couvercle et retirez la grille de maintien au chaud, chambre de combustion du fumoir, les grilles de cuisson et les plaques chauffantes.
3. Enlevez les goupilles fendues à l'arrière des brûleurs afin de dégager les brûleurs des supports, comme illustré (illustration 1).
4. Glissez les brûleurs principaux et le brûleur de saisie à l'extérieur de la chambre de combustion.
5. Enlevez le fil d'allumage de l'électrode (illustration 2).

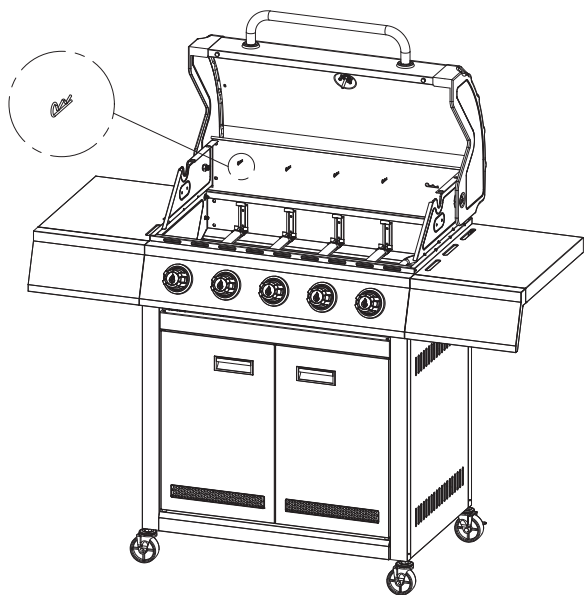
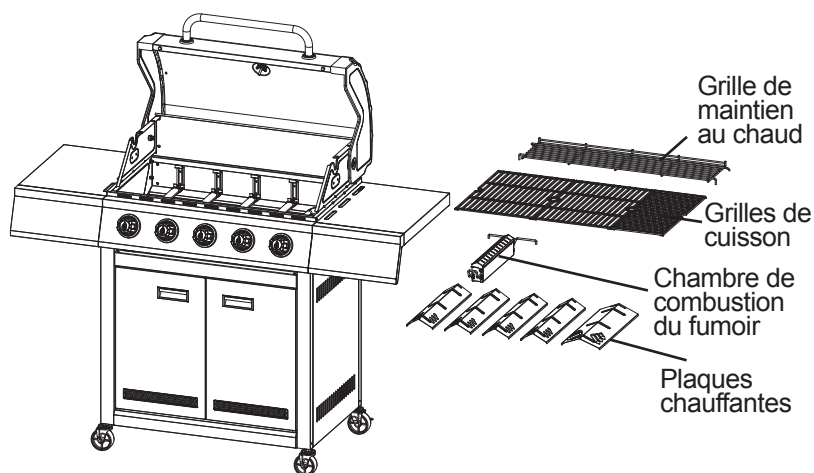


Illustration 1

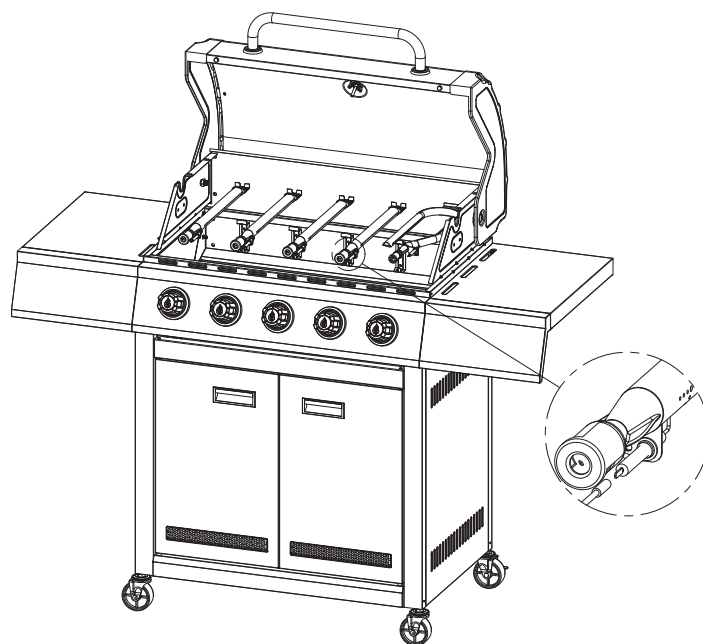


Illustration 2

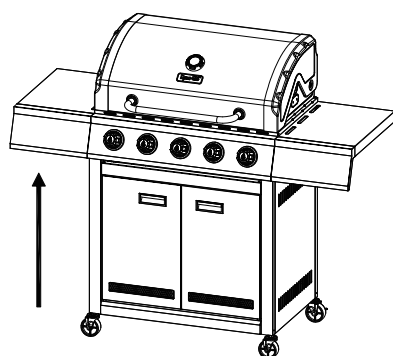
ENTRETIEN

NETTOYAGE DE L'ENSEMBLE DE BRÛLEUR – Assurez-vous que le barbecue est refroidi.

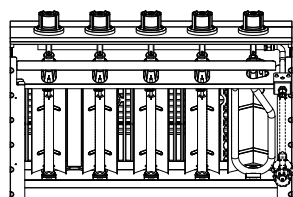
1. Assurez-vous que tous les orifices du brûleur ne sont pas bouchés. Pour ce faire, utilisez une épingle ou un trombone.
2. Assurez-vous que le brûleur n'est pas endommagé. Le cas échéant, remplacez-le par un nouveau brûleur.
3. Assurez-vous que l'extrémité du brûleur et le filtre à air principal sont exempts de nids d'insectes, de poussière ou de débris.

RÉINSTALLATION DU BRÛLEUR

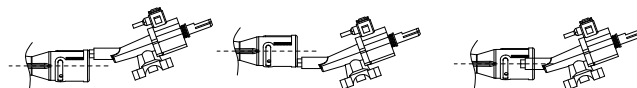
Assurez-vous que les orifices du robinet de gaz sont placés correctement à l'intérieur du diffuseur du brûleur (venturi). Vous devrez peut-être utiliser une lampe de poche pour les installer correctement. Il est recommandé de vérifier leur position à travers les trous de ventilation du foyer du barbecue, tel que l'illustre la figure ci-dessous.



Voir la position correcte à partir du fond de la chambre de combustion.



Vue de dessus



Inadéquat

Inadéquat

Adéquat

⚠ AVERTISSEMENT

Si les directives mentionnées précédemment ne sont pas suivies, un incendie ou une explosion pourrait survenir, risquant de causer des blessures graves, voire la mort.

AUTRES TYPES D'ENTRETIEN

Nous vous recommandons de faire faire l'entretien de cet appareil une fois par année par un technicien qualifié.

Nous vous recommandons de vérifier régulièrement que l'espace autour du barbecue au gaz est exempt de tout matériau combustible, essence et autres vapeurs et liquides inflammables.

Nous vous recommandons de vérifier régulièrement que le flux d'air de combustion et de ventilation n'est pas entravé.

Nous vous recommandons de vérifier régulièrement que les ouvertures de ventilation entourant la bouteille (sur le charriot) sont exemptes de débris.

Nous vous recommandons de vérifier régulièrement les tubes du venturi et du brûleur, et de les nettoyer si des insectes ou des nids d'insectes s'y trouvent. Un tube obstrué peut causer un feu sous le barbecue.

DÉPANNAGE

Si vous avez des questions, veuillez téléphoner au service à la clientèle au 1-877-447-4768, Huit heures et demie-16h30, HNC, du lundi - vendredi.

PROBLÈME	CAUSE POSSIBLE	MESURE CORRECTIVE
Le brûleur ne s'allume pas à l'aide de l'allumeur (pas d'étincelle ou étincelle faible).	<ol style="list-style-type: none">1. L'électrode de l'allumeur est couverte de graisse ou de résidus.2. Un fil de l'électrode de l'allumeur est mal raccordé ou déconnecté.3. L'électrode d'allumage est fissurée ou fendue.	<ol style="list-style-type: none">1. Nettoyez l'électrode de l'allumeur.2. Vérifiez les fils et reconnectez tout fil mal raccordé ou déconnecté.3. Remplacez l'électrode d'allumage (consultez la liste des pièces de rechange).
La chaleur est faible.	<ol style="list-style-type: none">1. La pression du gaz vers l'appareil est insuffisante.	<ol style="list-style-type: none">1. Communiquez avec un service d'entretien autorisé pour qu'il vérifie la pression de l'alimentation en gaz et la corrige.
Il y a trop de montées de flammes intermittentes.	<ol style="list-style-type: none">1. De la graisse ou des résidus se sont accumulés sur les plaques chauffantes ou dans le foyer du barbecue.2. Du gras ou de la marinade a dégoutté de la nourriture en trop grande quantité.3. La température de cuisson est trop élevée.	<ol style="list-style-type: none">1. Nettoyez les pièces du barbecue.2. Retirez le gras de la viande et n'utilisez pas de marinades à base d'huile.3. Réduisez la température en conséquence.

DÉPANNAGE

PROBLÈME	CAUSE POSSIBLE	MESURE CORRECTIVE
Le brûleur ne s'allume pas à l'aide d'une allumette.	<ol style="list-style-type: none">1. L'allumette n'atteint pas les brûleurs (lorsque vous la tenez d'une main).2. L'alimentation en gaz est coupée.3. Il y a un mauvais branchement entre le raccord à manchon et l'embout du tuyau de gaz.4. L'entrée du brûleur est obstruée.	<ol style="list-style-type: none">1. Utilisez le support à allumettes situé dans la porte de l'armoire.2. Vérifiez si la vanne d'arrêt manuel du gaz est ouverte.3. Tournez les boutons de commande à la position OFF (fermé), fermez la vanne d'arrêt du gaz, puis vérifiez le branchement du raccord à manchon et de l'embout. Au besoin, déconnectez-les et reconnectez-les.4. Nettoyez le diffuseur (venturi) et le brûleur selon les instructions de la section Entretien du manuel.
Le gaz ne circule pas ou sa circulation est entravée.	<ol style="list-style-type: none">1. L'alimentation en gaz est coupée.2. La bouteille est vide.3. Il y a un mauvais branchement entre le raccord à manchon et l'embout du tuyau de gaz.4. L'entrée du brûleur est obstruée.	<ol style="list-style-type: none">1. Vérifiez si la vanne d'arrêt manuel du gaz est ouverte.2. Vérifiez le niveau de gaz et remplissez la bouteille s'il y a lieu.3. Tournez les boutons de commande à la position OFF (fermé), fermez la vanne d'arrêt du gaz, puis vérifiez le branchement du raccord à manchon et de l'embout. Au besoin, déconnectez-les et reconnectez-les.4. Nettoyez le diffuseur (venturi) et le brûleur selon les instructions de la section Entretien du manuel.

GARANTIE LIMITÉE

Garantie limitée de 1 an

La garantie de un an de ce barbecue au gaz LP couvre les pièces endommagées ou brisées au moment de l'achat. Le barbecue est garanti contre tout défaut. La peinture est garantie contre tout défaut, à l'exception de la rouille qui peut apparaître après une utilisation répétée.

La garantie ne couvre pas les dommages ou les problèmes liés à une négligence, à un usage abusif ou aux modifications apportées à l'appareil. La garantie ne couvre pas les coûts de main-d'oeuvre.

Toutes les pièces couvertes par la garantie seront expédiées sans frais selon la méthode choisie par le fabricant (envoi terrestre par US Mail ou Parcel Post **UNIQUEMENT**). Tout montant additionnel (par exemple, la livraison le lendemain, le surlendemain, etc.) relève de la responsabilité du consommateur.

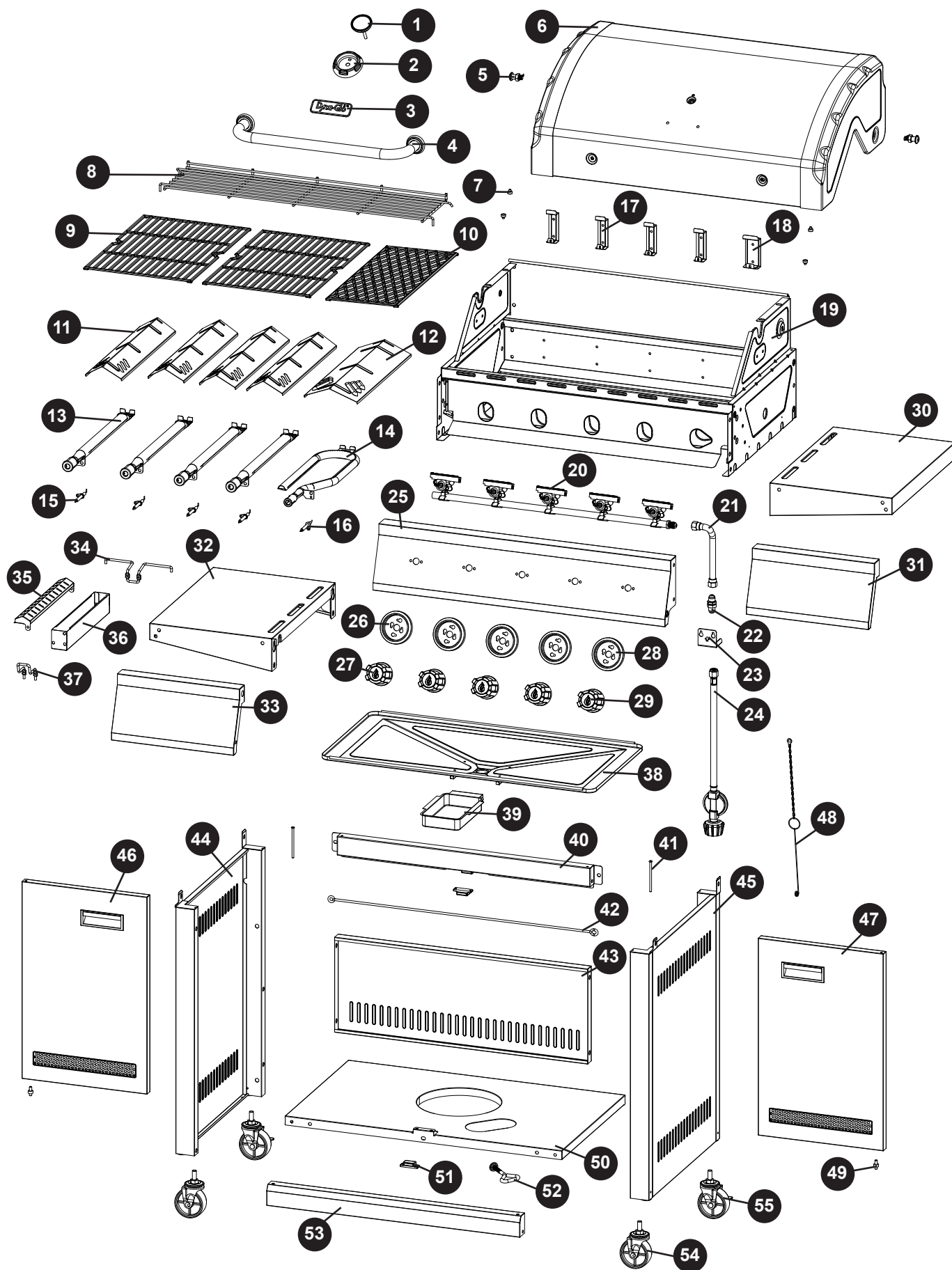
Toutes les réclamations au titre de la garantie ne peuvent être effectuées que par l'acheteur initial du produit et nécessitent une preuve d'achat qui indique la date d'achat. Ne retournez aucune pièce à l'adresse de GHP sans avoir obtenu un numéro d'autorisation de retour de notre service à la clientèle. Vous pouvez appeler sans frais notre service à la clientèle au 1-877-447-4768, huit heures et demie-16h30, HNC, du lundi - vendredi.

AVIS : Certains États ou certaines provinces ne permettent pas une limitation de la durée de la garantie implicite ou une exclusion ou une limitation des dommages accidentels ou consécutifs, de sorte que les limitations ou exclusions mentionnées ci-dessus peuvent ne pas s'appliquer à vous. Cette garantie vous confère des droits précis. Il est possible que vous disposiez également d'autres droits, qui varient d'un État ou d'une province à l'autre.

GHP Group, Inc.
6440 W. Howard Street
Niles, IL, USA
60714-3302

Nom de l'article : Barbecue Au Propane Liquide À Cinq Brûleurs Avec Brûleur De Saisie
No de modèle : DGH483CRP/DGH483CRP-D
Total Brûleur Principal nominal BTU : 48,000 BTU/Hr
Brûleur de saisie BTU : 15,000 BTU/Hr

LISTE DES PIÈCES DE RECHANGE



LISTE DES PIÈCES DE RECHANGE

Pour les pièces détachées, appelez notre service à la clientèle au 1-877-447-4768, 8h30-16h30, HNC, du lundi - vendredi.

PIÈCE	DESCRIPTION	PIÈCE #
1	Assemblage indicateur de température	70-02-264
2	Collerette de la jauge de température (noir)	70-01-906
3	Plaque	104-22006
4	Poignée du couvercle	70-01-907
5	Pivot du couvercle avec goupille fendue	70-01-641
6	Couvercle	70-01-908
7	Protège couvercle	70-01-176
8	Chauffe-plat	70-01-909
9	Grille de cuisson du brûleur principal	70-01-910
10	Grille de cuisson du brûleur de saisie	70-01-911
11	Tente à chaleur du brûleur principal	70-01-912
12	Tente à chaleur du brûleur de saisie	70-01-913
13	Brûleur principal et goupille fendue	70-01-609
14	Brûleur de saisie et goupille fendue	70-01-914
15	Allumeur du brûleur principal	70-01-283
16	Allumeur du brûleur de saisie	70-01-112
17	Brûleur principal et support à tente à chaleur	70-01-915
18	Brûleur de saisie et support à tente à chaleur	70-01-916
19	Barbecue avec écran thermique	70-01-917
20	Valves principales et clarinette	70-02-271
21	Tuyau annelé	70-01-645
22	Connecteur	70-02-110
23	Plaque de fixation du connecteur	70-01-918
24	Détendeur et tuyau	70-02-272
25	Panneau de commande	70-01-919
26	Cadran de bouton de commande du brûleur principal	70-01-920
27	Bouton de commande du brûleur principal	70-01-921
28	Cadran de bouton de commande du brûleur de saisie	70-01-922
29	Bouton de commande du brûleur de saisie	70-01-923
30	Tablette droite	70-01-924
31	Panneau frontal de la tablette droite	70-01-925
32	Tablette gauche	70-01-926
33	Panneau frontal de la tablette gauche	70-01-927
34	Support arrière de la chambre de combustion du fumoir avec quincaillerie	70-01-928
35	Couvercle de la chambre de combustion du fumoir avec quincaillerie	70-01-929
36	Corps de la chambre de combustion du fumoir avec quincaillerie	70-01-930
37	Support avant de la chambre de combustion du fumoir avec quincaillerie	70-01-932
38	Plateau à graisse	70-01-933
39	Récepteur à graisse	70-01-187
40	Support supérieur de porte	70-01-934
41	Pivot supérieur de porte	70-09-114
42	Pièce d'exclusion de la bouteille	70-01-935
43	Panneau arrière du chariot	70-01-936
44	Panneau gauche du chariot	70-01-937

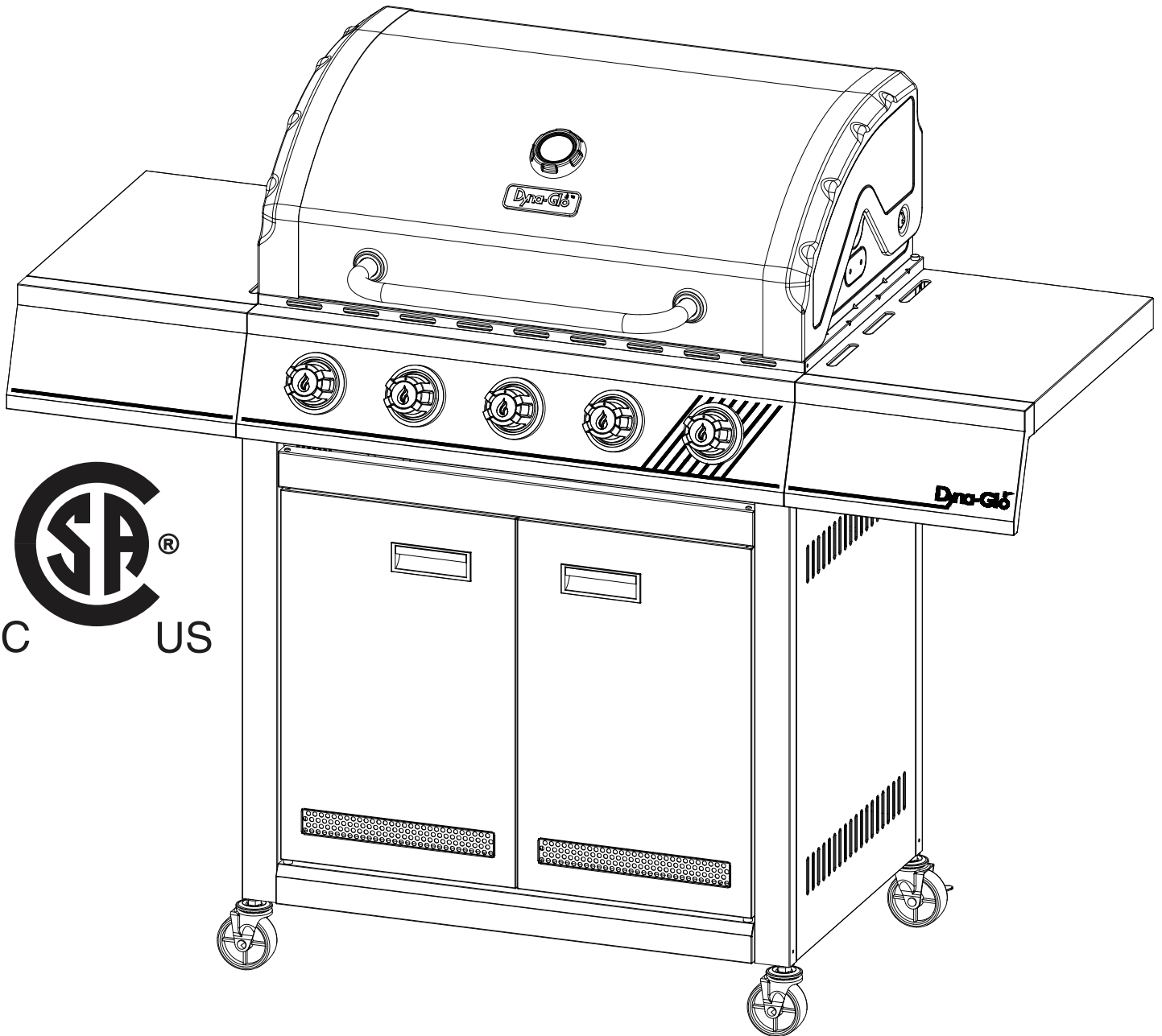
LISTE DES PIÈCES DE RECHANGE

PIÈCE	DESCRIPTION	PIÈCE #
45	Panneau droit du chariot	70-01-938
46	Porte gauche	70-01-939
47	Porte droite	70-01-940
48	Porte-allumettes	70-01-204
49	Pivot inférieur de porte	70-09-115
50	Étagère du bas	70-01-941
51	Aimant	70-02-293
52	Vis de retenue cylindrique	70-02-292
53	Pièce inférieure du chariot	70-01-942
54	Roulette sans blocage	70-05-100
55	Roulette à blocage	70-05-101
n/a	Paquet de quincaillerie	70-09-545
n/a	Manuel d'utilisation du propriétaire	70-10-130

Dyna-Glo®

5 QUEMADORES DE GAS PL PARRILLA DE GAS CON AMPLIA ESTACIÓN DE QUEMADOR

Modelo #DGH483CRP/DGH483CRP-D



ADJUNTE SU RECIBO AQUÍ

Número de serie _____ Fecha de compra _____



¿Preguntas, problemas, piezas faltantes? Antes de volver a la tienda, llame a nuestro Departamento de Servicio al Cliente al 1-877-447-4768, de 8:30 am - 4:30 pm, hora central, de lunes - viernes o envíe un correo electrónico a customerservice@ghpgroupinc.com.

INDICE

Información de seguridad	65
Contenido del paquete	69
Aditamentos	70
Preparación	70
Instrucciones de ensamblaje	71
Instrucciones de funcionamiento	83
Cuidado y mantenimiento	88
Solución de problemas	91
Garantía	93
Lista de piezas de repuesto	94

Ensamblador/Instalador: Este manual contiene información importante necesaria para el ensamblaje correcto y el uso seguro del electrodoméstico. Lea y siga todas las advertencias e instrucciones antes de ensamblar y utilizar este electrodoméstico. **Entregue estas instrucciones al consumidor.**

Consumidor/Usuario: Siga todas las advertencias e instrucciones al utilizar este electrodoméstico. **Guarde estas instrucciones para referencia futura.**

PELIGRO:

Si percibe olor a gas:

- 1. Cierre el suministro de gas hacia el electrodoméstico.**
- 2. Apague cualquier llama directa.**
- 3. Abra la tapa.**
- 4. Si el olor persiste, manténgase alejado del electrodoméstico y llame de inmediato al departamento de bomberos.**

AVERTENCIA:

- 1. No almacene ni utilice gasolina u otros líquidos o vapores inflamables cerca de éste u otro electrodoméstico.**
- 2. Un cilindro de gas propano que no esté conectado y en uso no debe almacenarse cerca de éste ni de ningún otro aparato.**
- 3. Esta parrilla es sólo para uso en exteriores y no se debe usar en edificios, garajes, bajo salientes u otras áreas cerradas.**
- 4. No deje la parrilla encendida sin supervisión. Mantenga a los niños y las mascotas alejados de la parrilla en todo momento.**

INFORMACION DE SEGURIDAD

Lea y comprenda completamente este manual antes de intentar ensamblar, usar o instalar el producto. Si tiene preguntas relacionadas con el producto, llame al Servicio al Cliente al: 1-877-447-4768, de 8:30 am - 4:30 pm, hora central, de lunes - viernes.

PELIGRO

- No utilice la unidad en un entorno explosivo. No debe haber materiales combustibles, gasolina ni otros vapores o líquidos inflamables cerca de la parrilla.



ADVERTENCIA: LOS COMBUSTIBLES USADOS EN EQUIPOS PARA LICUAR GAS PROPANO, ASÍ COMO LOS PRODUCTOS DE SU COMBUSTIÓN, PUEDEN EXPONERTE A SUSTANCIAS QUÍMICAS, ENTRE ELLAS EL BENCENO, QUE EL ESTADO DE CALIFORNIA RECONOCE COMO CAUSA DE CÁNCER Y DE MALFORMACIONES CONGÉNITAS Y OTROS DAÑOS AL SISTEMA REPRODUCTOR.

Para más información, visite www.P65Warnings.ca.gov

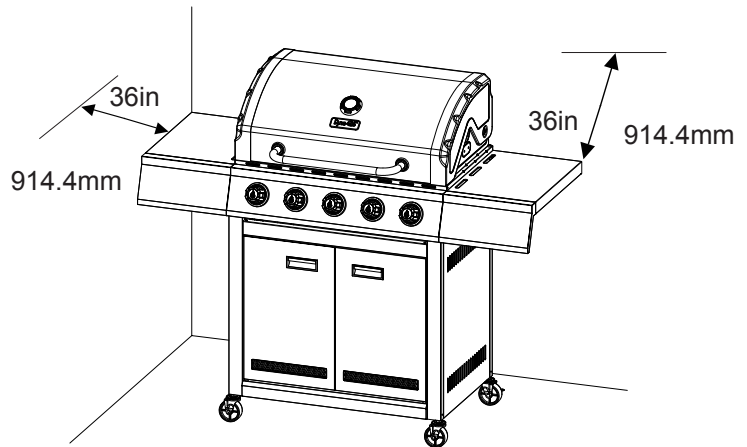
PRECAUCIÓN

- No utilice carbón o líquido para encendedor en la parrilla.
- No use gasolina, queroseno o alcohol para encender la parrilla.
- El cilindro de suministro de gas PL que se utilice con este electrodoméstico debe estar:
 - (a) Fabricado y marcado según las Specifications for LP-Gas Cylinders of the U.S. Department of Transportation (D.O.T.) or the National Standard of Canada, CAN/CSA-B339, Cylinders, Spheres and Tubes for Transportation of Dangerous Goods; and Commission, según corresponda, y
 - (b) Equipado con un dispositivo de prevención de sobrellenado homologado.
 - (c) Equipado con un dispositivo de conexión para el cilindro compatible con el conector para electrodomésticos para cocinar en exteriores. Esta parrilla no está diseñada para usarse o instalarse en vehículos recreativos y/o botes.
- Nunca guarde un contenedor lleno en un auto a altas temperaturas o en el portaequipajes del auto. El calor hace aumentar la presión del gas, lo que puede abrir la válvula de alivio y permitir que escape el gas.
- Siempre abra la tapa de la parrilla lentamente y con cuidado, ya que el calor y el vapor atrapados dentro de la parrilla pueden causarle quemaduras graves.

! ADVERTENCIA

• No coloque la parrilla debajo de construcciones o cobertizos inflamables. Debe haber un espacio de separación mínimo de 91,44 cm (36") desde los lados y la parte posterior de la unidad hasta construcciones de material combustible.

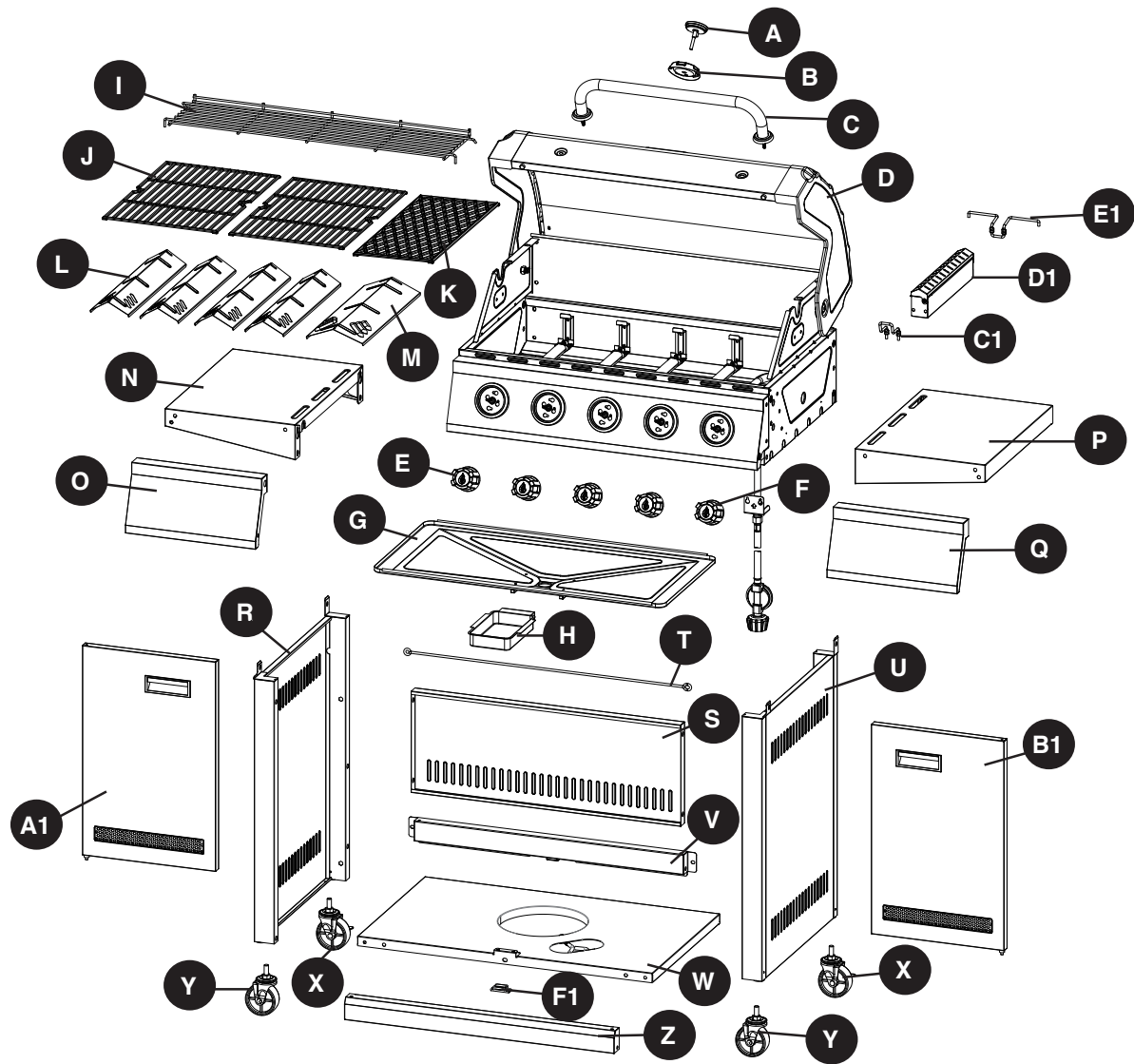
NOTA: La instalación debe cumplir con los códigos locales o, en su defecto, con el National Fuel Gas Code, ANSI Z223.1/ NFPA 54, Natural Gas and Propane Installation Code, CSA B149.1, o Propane Storage and Handling Code, B149.2.



! PRECAUCIÓN

- NO almacene ni utilice gasolina ni otros vapores o líquidos inflamables dentro de 8 metros (25 pies) de distancia de éste ni de ningún otro electrodoméstico.
- Cualquier tanque de gas propano líquido que no esté conectado y en uso debe almacenarse a una distancia mínima de 3 metros de éste o cualquier otro electrodoméstico.
- Esta parrilla debe utilizarse sólo con gas propano (no se incluye el cilindro de gas propano).
- No intente conectar esta parrilla al sistema de gas propano autocontenido de un bote, remolque para camping, casa rodante o casa.
- No intente mover la parrilla mientras está encendida o caliente. Las ruedas deben estar con seguro cuando la parrilla no se esté moviendo.
- No use la parrilla a menos que esté completamente ensamblada y todas las piezas estén ajustadas y apretadas con firmeza.
- Mantenga todos los artículos y las superficies combustibles a una distancia mínima de 91,44 cm (36") de la parrilla en todo momento.
- No toque las piezas metálicas de la parrilla hasta que se hayan enfriado completamente (espere unos 45 minutos) para evitar quemaduras, a menos que utilice artículos de protección (almohadillas, guantes, manoplas para horno, etc...).
- No altere la parrilla de ninguna manera.
- Limpie e inspeccione la manguera antes de cada uso. Si hay evidencia de abrasión, desgaste, cortes o fugas, se debe reemplazar la manguera antes de operar el electrodoméstico. La manguera de reemplazo debe ser la especificada por el fabricante, que se menciona en la lista de piezas de repuesto de este manual.
- Coloque las mangueras de gas lo más lejos posible de superficies calientes y de donde pueda caer grasa caliente.
- Mantenga limpios el compartimiento de la válvula, los quemadores y los pasajes de circulación de aire de la parrilla. Inspeccione la parrilla antes de cada uso. No obstruya el flujo de gas o del aire de ventilación.
- El consumo de alcohol, medicamentos recetados o medicamentos sin receta puede disminuir la capacidad del usuario para armar o utilizar la parrilla de manera segura.
- No deje la parrilla encendida sin supervisión. Mantenga a los niños y las mascotas alejados de la parrilla en todo momento.
- No coloque la parrilla sobre ningún tipo superficie de mesa. La parrilla se debe colocar sobre una superficie plana y nivelada.
- No use la parrilla si hay viento fuerte.

CONTENIDO DEL PAQUETE

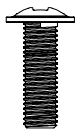


PIEZA	DESCRIPCIÓN	CANT.
A	Indicador de temperatura	1
B	Bisel del indicador de temperatura	1
C	Montaje de la manija de la tapa	1
D	Cuerpo de la parrilla	1
E	Perilla del quemador principal	4
F	Perilla del quemador lateral	1
G	Bandeja para la grasa	1
H	Rejilla recalentamiento	1
I	Gaveta para grasa	1
J	Parrilla de cocción para el quemador principal	2
K	Parrilla de cocción para el quemador lateral	1
L	Carpa de calor para el quemador principal	4
M	Carpa de calor para el quemador lateral	1
N	Mesa del lateral izquierdo	1
O	Panel frontal de la mesa del lateral izquierdo	1
P	Mesa del lateral derecho	1
Q	Panel frontal de la mesa del lateral derecho	1

PIEZA	DESCRIPCIÓN	CANT.
R	Cesta izquierda lateral de panel de ensamblado	1
S	Carrito panel trasero	1
T	Exclusión del cilindro	1
U	Montaje del panel lateral derecho	1
V	Abrazadera de puerta frontal superior	1
W	Estante inferior	1
X	Rueda giratoria de bloqueo	2
Y	Desbloqueo giratorio de rueda giratoria	2
Z	Marco de Cesta delantera baja	1
A1	Ensamble puerta izquierda	1
B1	Ensamble de puerta derecha	1
C1	Soporte frontal del ahumador	1
D1	Conjunto del ahumador	1
E1	Soporte trasero del ahumador	1
F1	Imán	1

ADITAMENTOS (se muestran en tamaño real)

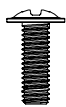
AA



M6x16
Tornillo

Cant. 39

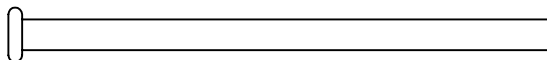
BB



M4x12
Tornillo

Cant. 8

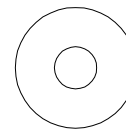
CC



Bisagra superior
de la puerta

Cant. 2

DD



M6 Arandela
Plana

Cant. 2

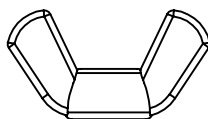
EE



M6 Arandela
de Resorte

Cant. 2

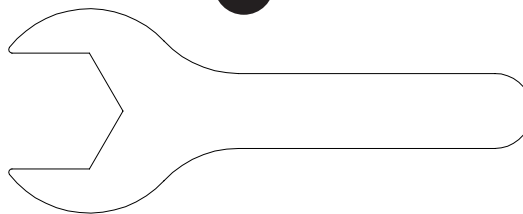
FF



M6 Tuerca
mariposa

Cant. 2

GG



M10
Llave

Cant. 1

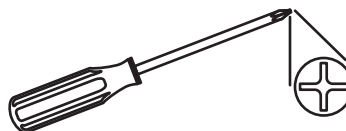
PREPARACION

Antes de comenzar a ensamblar el producto, asegurese de tener todas las piezas. Compare las piezas con la lista del contenido del paquete de la pagina anterior y los aditamentos que aparecen arriba. No intente ensamblar el producto si falta alguna pieza o si estas estan danadas. Póngase en contacto con el Departamento de Servicio al Cliente para obtener piezas de repuesto.

Tiempo estimado de ensamblaje: 50 minutos con 2 personas.

Herramientas necesarias para el ensamblaje y la prueba de fugas (no se incluyen):

Destornillador Phillips, botella con atomizador



⚠ PRECAUCION


ESTA UNIOAD ES PESADA. SE NECESITAN DOS PERSONAS PARA UN ENSAMBLAJE SEGURO.

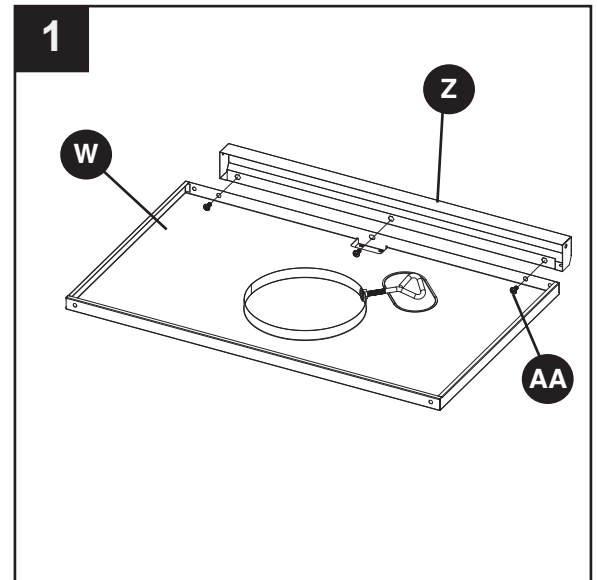
Se requieren dos personas para un ensamblaje segura. Algunas partes pueden presentar bordes filosos. Utilice guantes de pratección si es necesario. Lea y siga todas las indicaciones de seguridad, advertencias, instrucciones de ensamblaje, usa y cuidado antes de ensamblar y usar.

INSTRUCCIONES DE ENSAMBLAJE

1. Adjuntar el marco frontal del carrito (Z) a la plataforma inferior (W) con tres M6x16 tornillos (AA).


Aditamentos utilizados

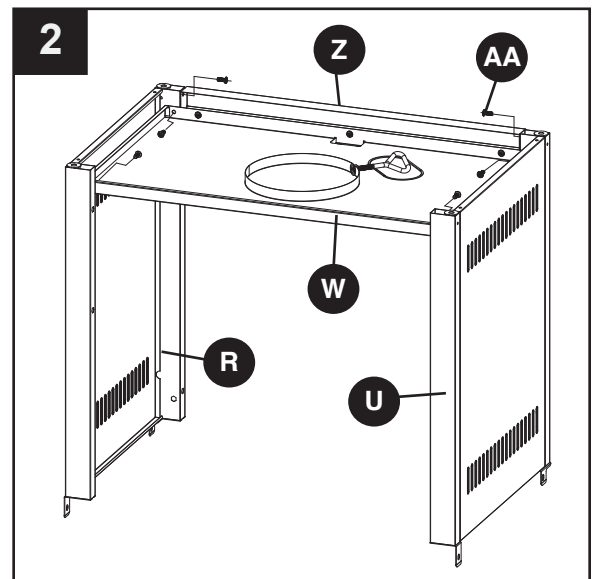
AA M6x16 Tornillo  x 3



2. Conecte la Cesta izquierda conjunto del tablero lateral (R) y el carro de montaje del tablero lateral derecho (U) para bajar marco frontal de la compra (Z) y estante inferior (W) con seis M6x16 tornillos (AA).

Aditamentos utilizados

AA M6x16 Tornillo  x 6

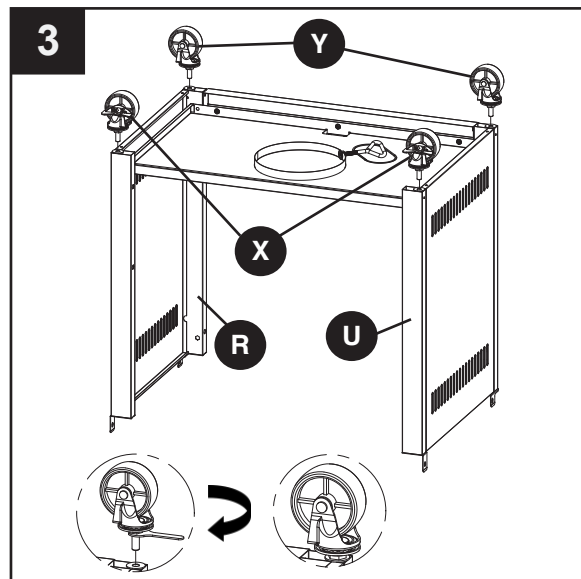


INSTRUCCIONES DE ENSAMBLAJE

3. Coloque 2 ruedecillas giratorias bloqueadas (X) y 2 ruedecillas giratorias desbloqueadas (Y) al tablero lateral del carrito (R) y al tablero del carro de montaje lateral derecho (U) con la llave M10 (GG).

Aditamentos utilizados

GG M10 Llave  x 1

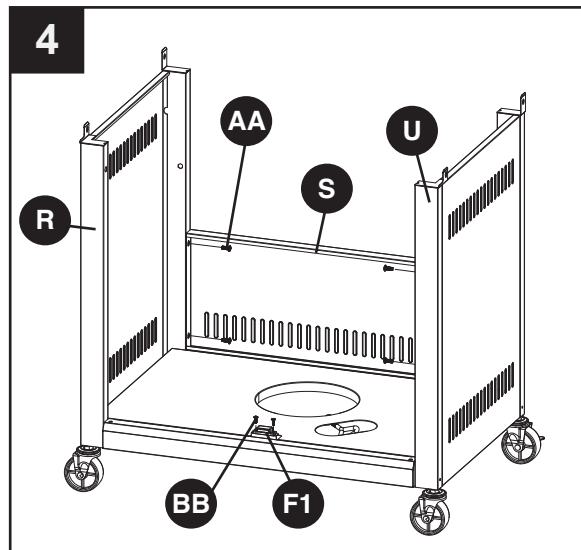


4. Sujete el tablero del carrito (S), al conjunto izquierdo del carrito del tablero lateral (R) y el carro de montaje panel lateral derecho (U) con cuatro M6x16 tornillos (AA). Adjuntar imán (F1) para el estante inferior (W) con dos M4x12 tornillos (BB).

Aditamentos utilizados

AA M6x16 Tornillo  x 4



BB M4x12 Tornillo  x 2

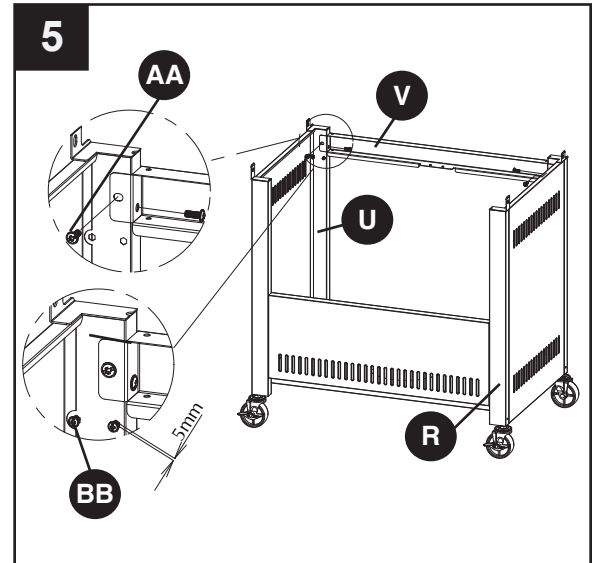


INSTRUCCIONES DE ENSAMBLAJE

5. Adjuntar la abrazadera de la puerta frontal superior (V) en el carrito izquierda conjunto de tablero lateral (R) y el carro de montaje del tablero lateral derecho (U) con cuatro M6x16 tornillos (AA). Pre-ensamble dos tornillos M4x12 (BB) en el ensamblaje del panel lateral derecho del carro (U) y no los apriete. Asegúrese de dejar un espacio de 5 mm entre el tornillo y el carro del panel lateral derecho del conjunto de la tapa del extremo.

Aditamentos utilizados

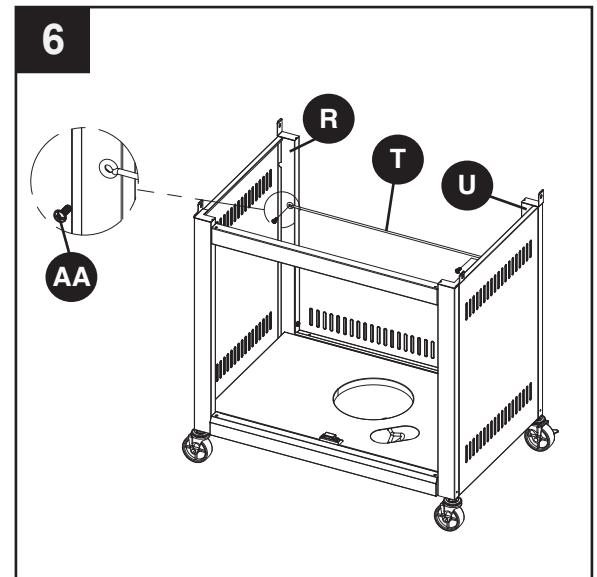
AA	M6x16 Tornillo		x 4
BB	M4x12 Tornillo		x 2



6. Ajuste exclusión del cilindro (T) a la parte trasera del panel lateral izquierdo y derecho del carro con dos M6x16 tornillos (AA).

Aditamentos utilizados

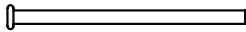
AA	M6x16 Tornillo		x 2
-----------	----------------	---	-----

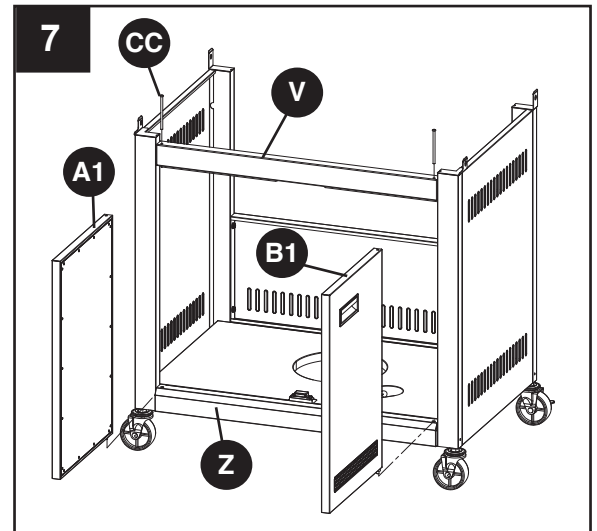


INSTRUCCIONES DE ENSAMBLAJE

7. Inserte el eje inferior en el conjunto de la puerta izquierda (A1) en el agujero en el bastidor del carro inferior frontal (Z), e inserte la puerta superior bisagra pin (CC) en los orificios del marco frontal inferior del carrito (V) y el agujero en la parte superior de la puerta de la izquierda conjunto de (A1) como se muestra. Repita con el conjunto de la puerta derecha (B1).

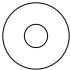

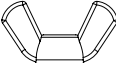
Aditamentos utilizados

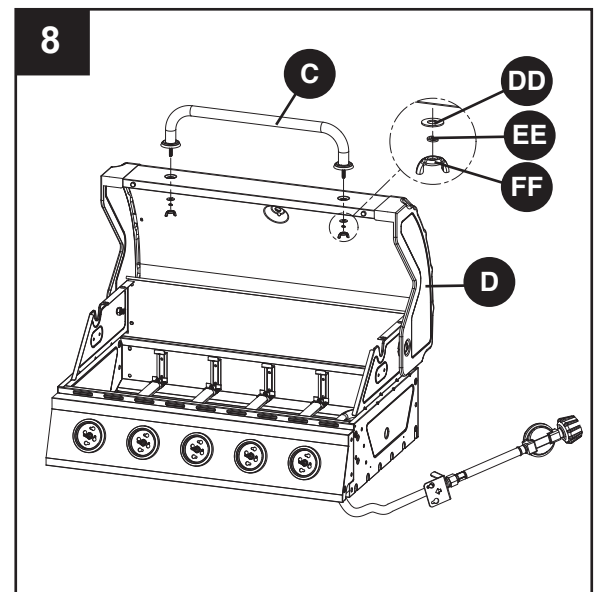
CC	Puerta Superior Bisagra Pin		x 2
-----------	-----------------------------	---	-----



8. Coloque el conjunto del mango de la tapa (C) al cuerpo de la parrilla (D) 2 M6 tuerca mariposa (FF), resorte de arandelas (EE), y arandelas (DD).

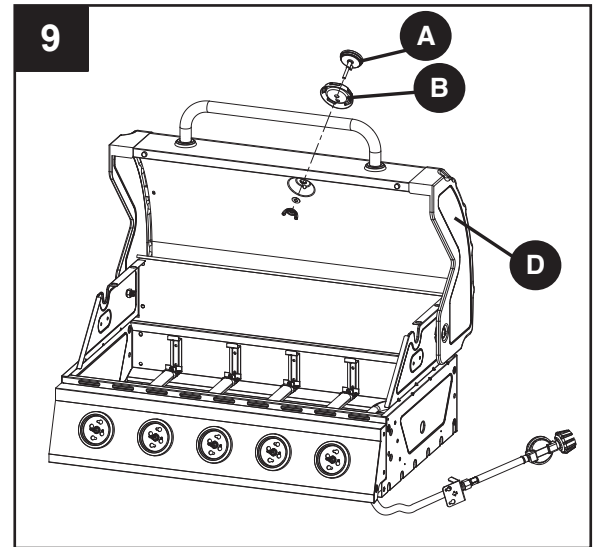
Aditamentos utilizados

DD	M6 Arandela Plana		x 2
EE	M6 Arandela de Resorte		x 2
FF	M6 Tuerca Mariposa		x 2

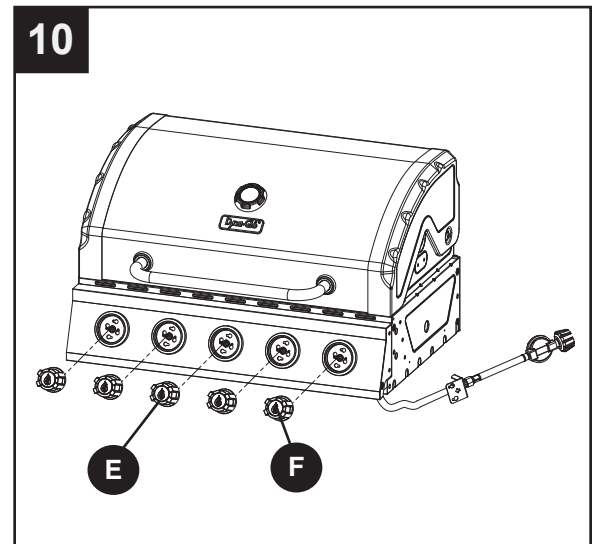


INSTRUCCIONES DE ENSAMBLAJE

9. Primero, retire la tuerca mariposa y la arandela plana preensambladas del indicador de temperatura (A), y luego fije el indicador de temperatura (A) y el bisel del indicador de temperatura (B) al cuerpo de la parrilla (D). Asegure el indicador de temperatura (A) con la tuerca de mariposa y arandela removida al principio de este paso.



10. Inserte las 4 perillas del quemador principal (E) y 1 perilla del quemador lateral (F).



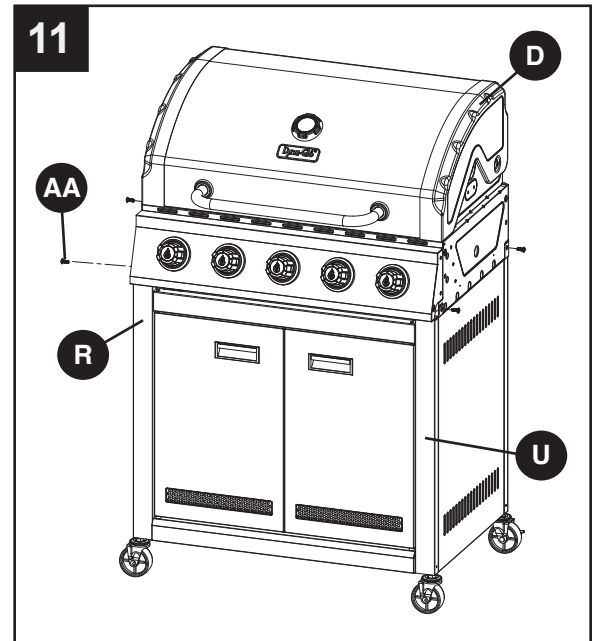
INSTRUCCIONES DE ENSAMBLAJE

11. Coloque con cuidado el cuerpo de la parrilla (D) en la cesta izquierda conjunto del tablero lateral (R) y el carro de montaje tablero lateral derecho (U), Ajuste la caja de la parrilla (D) de manera que los orificios de la caja de la parrilla (D) están alineados con agujeros en las pestañas de la izquierda del carrito ensamblados a un lado del tablero (R) y el carro de montaje del tablero lateral derecho (U).

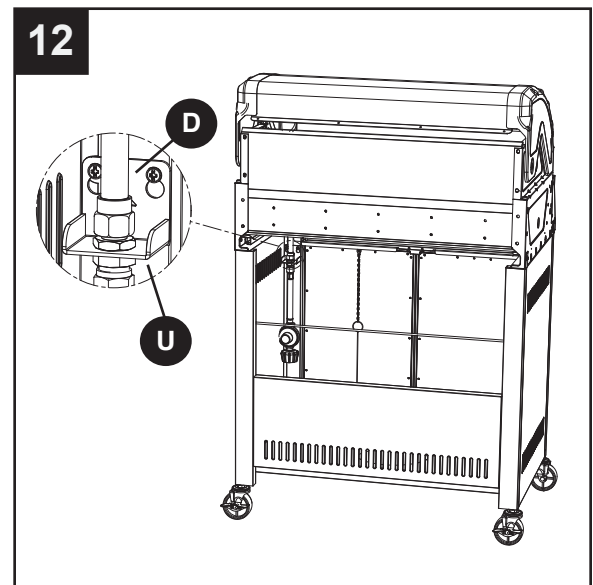
Nota: asegúrese de que la manguera de gas / regulador está fuera del carrito. Fijar la caja de la parrilla (D) con cuatro M6x16 tornillos (AA).

Aditamentos utilizados

AA M6x16 Tornillo  x 4



12. Alinee el bocallaves en el cuerpo de la parrilla (D) con los dos tornillos que acaba de insertar en el conjunto del panel del lateral derecho del carro (U), luego apriete todos los tornillos.

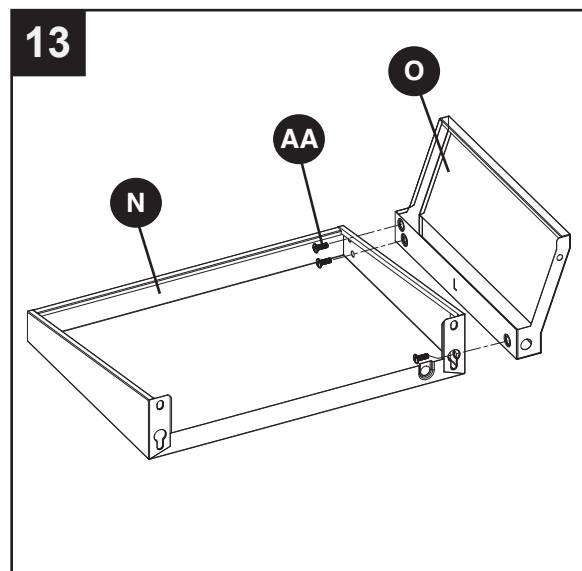


INSTRUCCIONES DE ENSAMBLAJE

13. Fije el panel frontal de la mesa del lateral izquierdo (O) a la mesa del lateral izquierdo (N) con tres tornillos M6 × 16 (AA).

Aditamentos utilizados

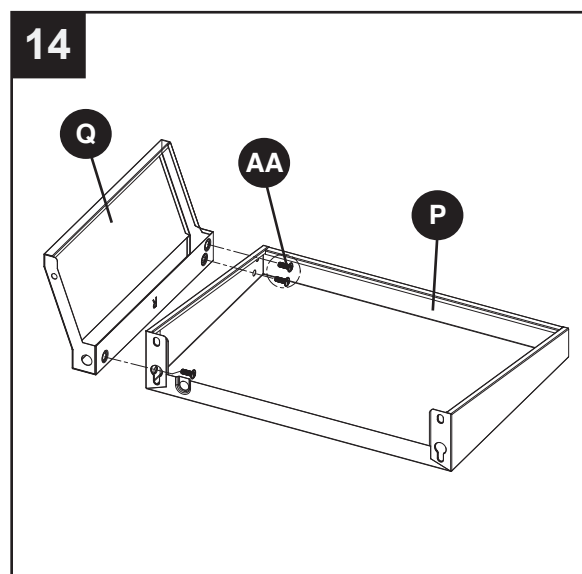
AA M6x16 Tornillo  x 3



14. Fije el panel frontal de la mesa del lateral derecho (Q) a la mesa del lateral derecho (P) con tres tornillos M6 × 16 (AA).

Aditamentos utilizados

AA M6x16 Tornillo  x 3

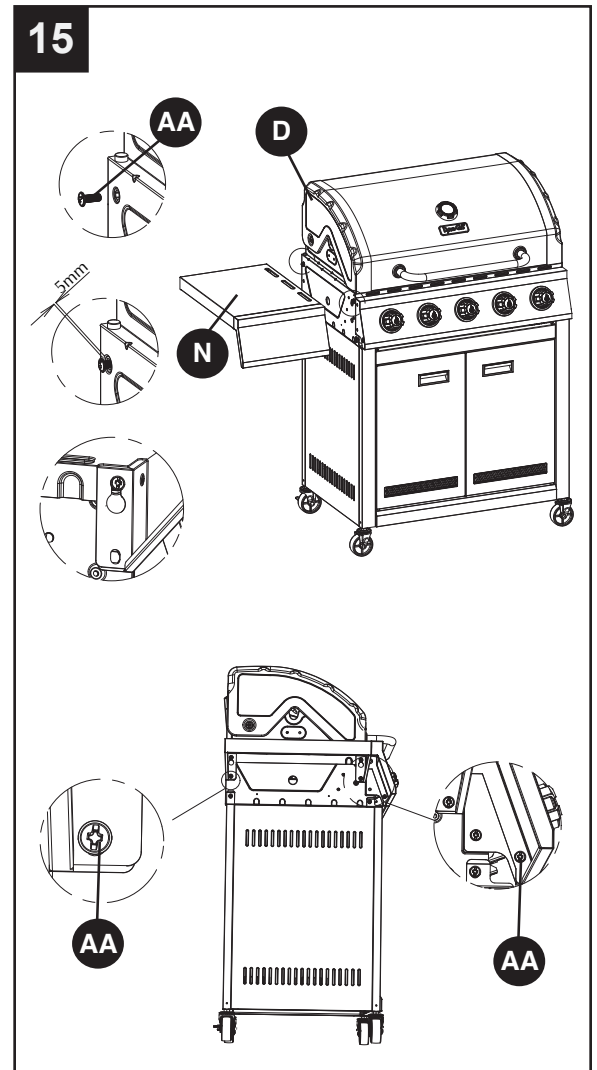


INSTRUCCIONES DE ENSAMBLAJE

15. Inserte dos tornillos M6 × 16 (AA) en el lateral izquierdo del cuerpo de la parrilla (D) como se muestra en la figura, dejando expuestos 5 mm de las roscas. Alinee el bocallaves en la mesa del lateral izquierdo (N) con los dos tornillos que se acababan de insertar en el cuerpo de la parrilla (D) e inserte tres tornillos M6 × 16 (AA) en los orificios restantes en el cuerpo de la parrilla (D). Ajuste correctamente la mesa del lateral izquierdo (N), luego apriete todos los tornillos.

Aditamentos utilizados

AA M6x16 Tornillo  x 5

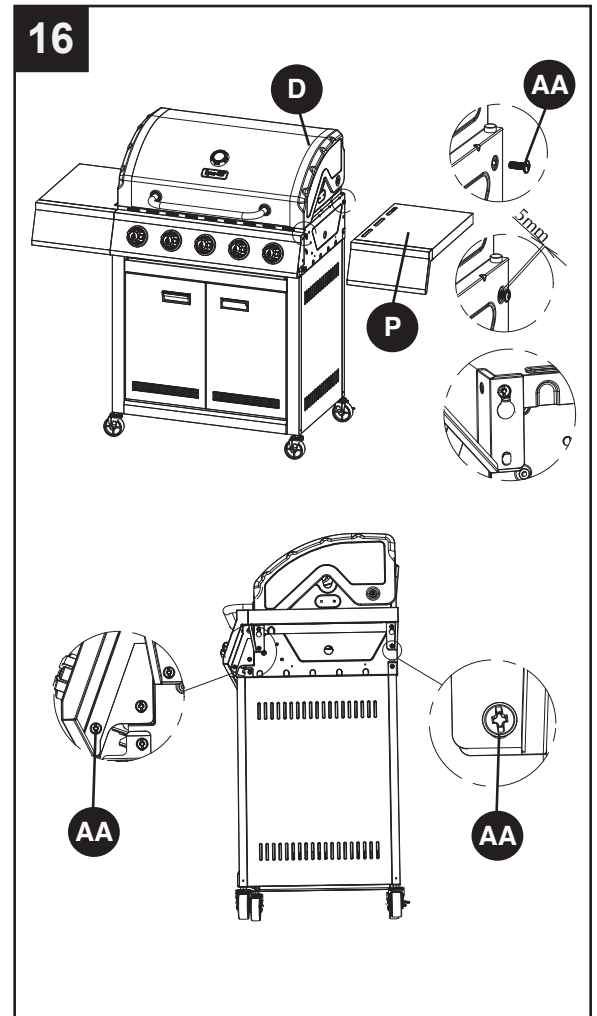


INSTRUCCIONES DE ENSAMBLAJE

16. Inserte dos tornillos M6 × 16 (AA) en el lateral derecho del cuerpo de la parrilla (D) como se muestra en la figura, dejando expuestos 5 mm de las roscas. Alinee el bocallaves en la mesa del lateral derecho (N) con los dos tornillos que se acababan de insertar en el cuerpo de la parrilla (D) e inserte tres tornillos M6 × 16 (AA) en los orificios restantes en el cuerpo de la parrilla (D). Ajuste correctamente la mesa del lateral derecho (N), luego apriete todos los tornillos.

Aditamentos utilizados

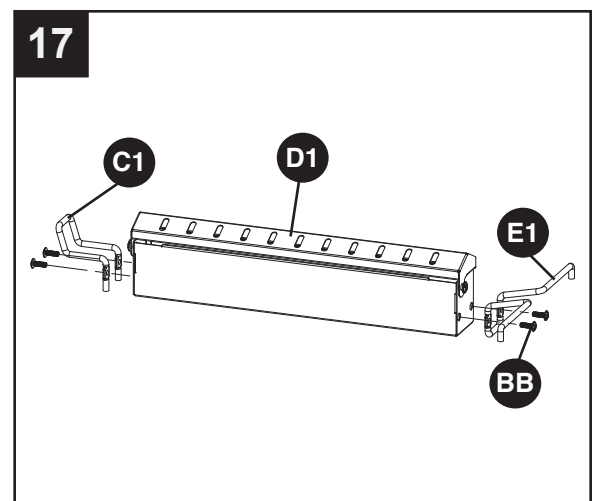
AA M6x16 Tornillo  x 5



17. Fije el soporte frontal del ahumador (C1) y el soporte trasero del ahumador (E1) al ahumador (D1) usando cuatro tornillos M4 × 12 (BB).

Aditamentos utilizados

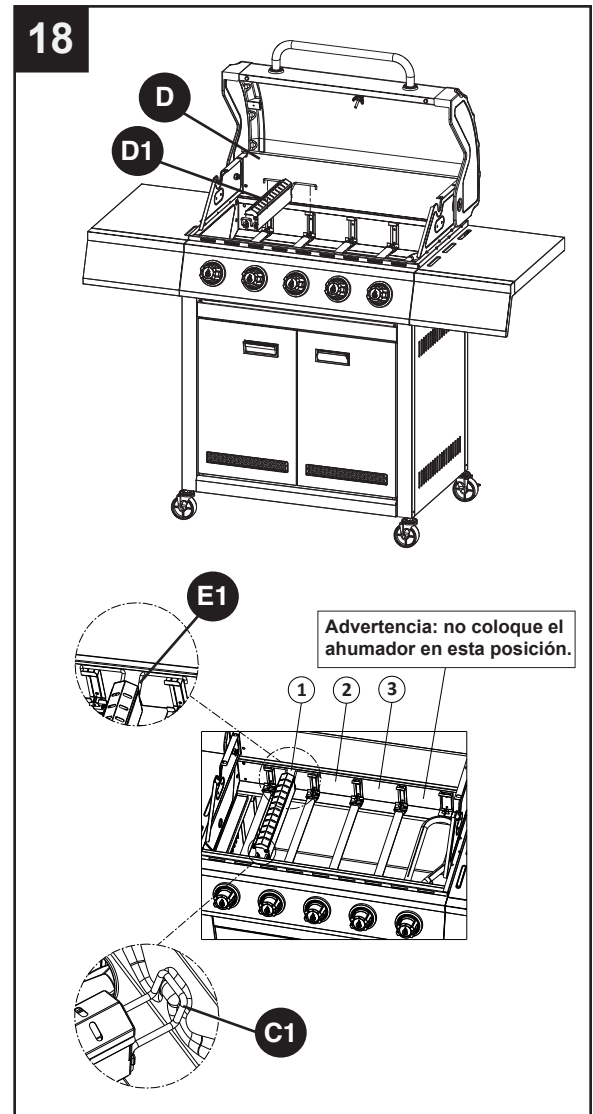
BB M4x12 Tornillo  x 4



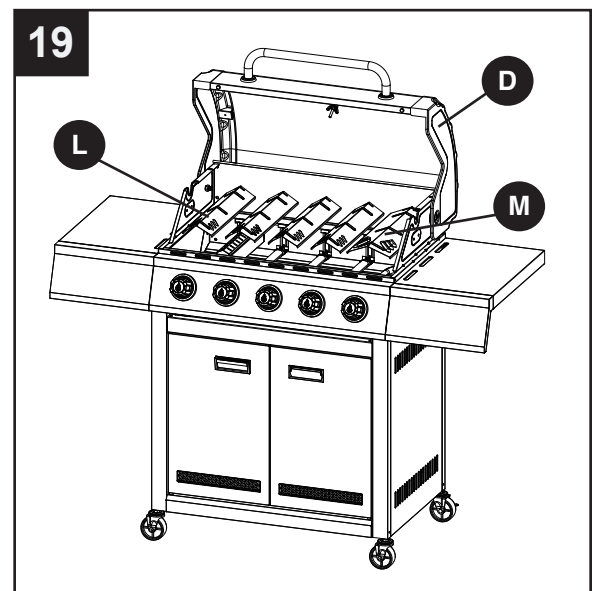
INSTRUCCIONES DE ENSAMBLAJE

18. Instrucciones de uso opcionales del ahumador: llene el ahumador con viruta de madera previamente remojada. Abra la tapa y ubique el ahumador (D1) colocando el soporte frontal del ahumador (C1) y el soporte trasero del ahumador (E1) dentro del cuerpo de la parrilla (D) como se muestra en la figura. El ahumador se puede colocar en cualquiera de las tres ubicaciones, como se muestra en la figura. Siga las instrucciones de encendido hasta que la viruta de madera empiece a ahumarse. Para obtener mejores resultados y que el humo sea prolongado, reduzca el calor después de que la viruta de madera empiece a ahumarse.

Nota: colocar el ahumador (D1) en el cuerpo de la parrilla (D) es una opción solamente en caso de que se necesite dar un efecto de ahumado a los alimentos mientras se usa la parrilla. Para un uso general de la parrilla sin necesidad de dar un efecto de ahumado, retire el ahumador del cuerpo de la parrilla.



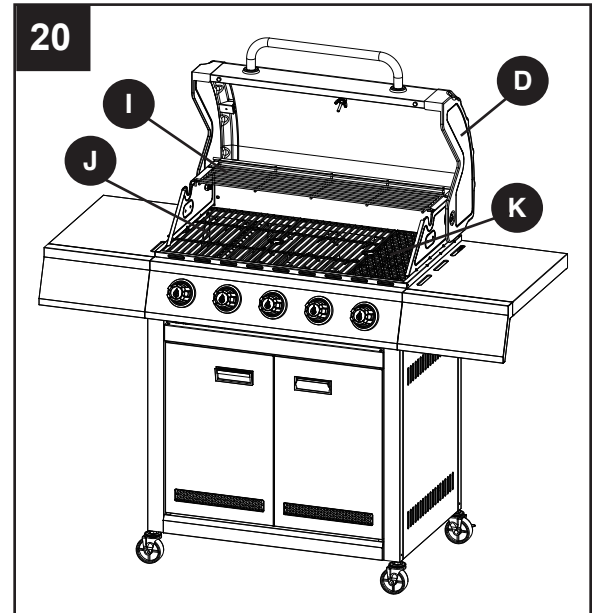
19. Coloque 4 protectores térmicos para el quemador principal (L) y 1 protector térmico para el quemador lateral (M) en el cuerpo de la parrilla (D).



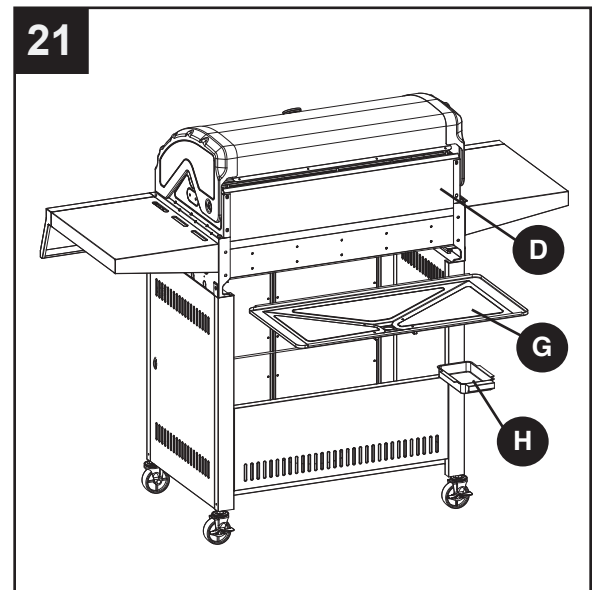
INSTRUCCIONES DE ENSAMBLAJE

20. Coloque 2 rejillas para cocinar para el quemador principal (J) y una rejilla para cocinar para el quemador lateral (K) del cuerpo de la parrilla (D), como se muestra en la figura. Asegure la rejilla de calentamiento (I) en el cuerpo de la parrilla (D).

NOTA: Inserte la rejilla de calentamiento (I) en los cuatro orificios situados a ambos lados del cuerpo de la parrilla (D).




21. Inserte el sartén grasa (G) en posición deslizándola en la caja de la parrilla (D) desde la parte trasera, como se muestra en la figura, a lo largo de los carriles situados justo debajo de la parte inferior del cuerpo de la parrilla (D), e insertar la gaveta para grasa (H) en la posición deslizándolo hacia los rieles de la parte inferior de la bandeja para la grasa (G), a continuación.

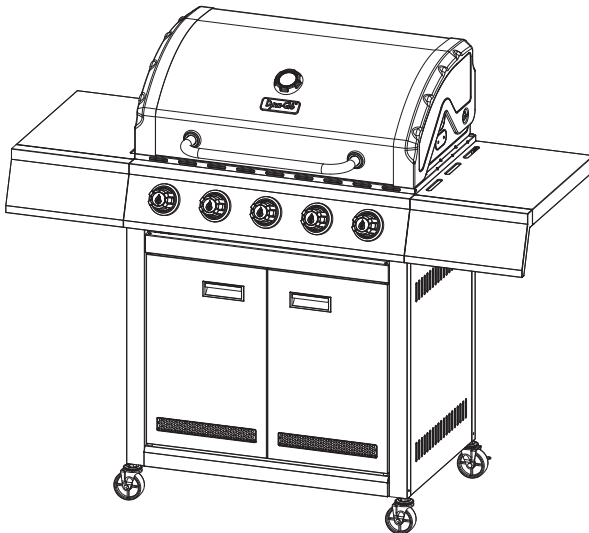


INSTRUCCIONES DE ENSAMBLAJE

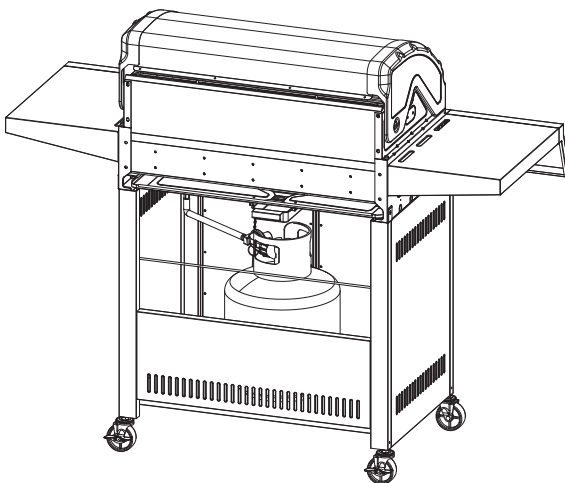
22. Abra el conjunto de la puerta izquierda (A1) y el conjunto de la puerta derecha (B1). Ubique el tanque de gas propano líquido (se vende por separado) en el receptáculo ubicado en la repisa inferior (W). Gire el tanque de gas propano líquido hasta que el acoplamiento de la manguera y el regulador se alinee con la válvula roscada del tanque. Ajuste con la mano el acoplamiento de la manguera y el regulador en la válvula roscada del tanque de gas propano líquido.

Ajuste el tornillo del tanque en el sentido de las agujas del reloj  en la parte frontal del carro hasta que el tanque quede asegurado en su lugar dentro del receptáculo de la repisa inferior (W).

Ensamblado completamente

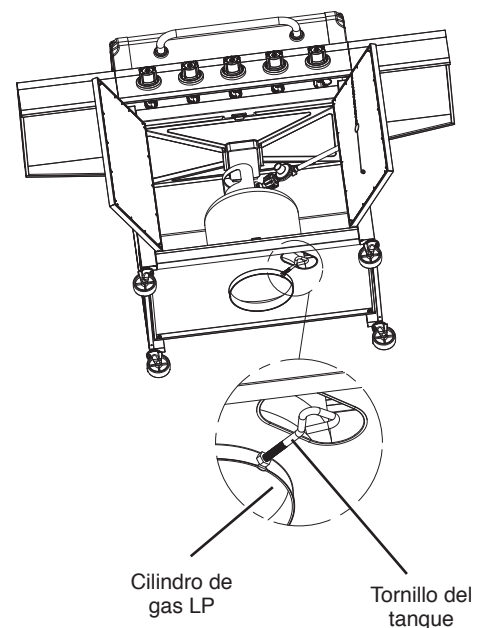
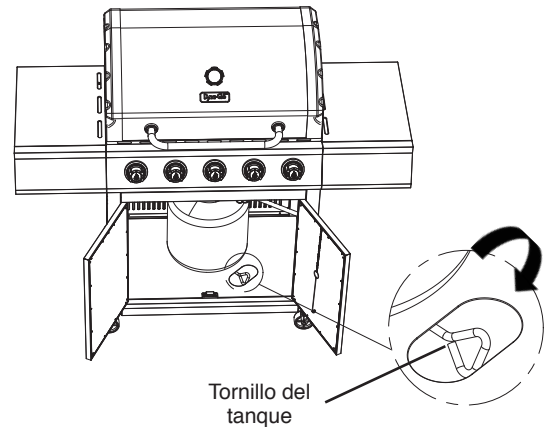
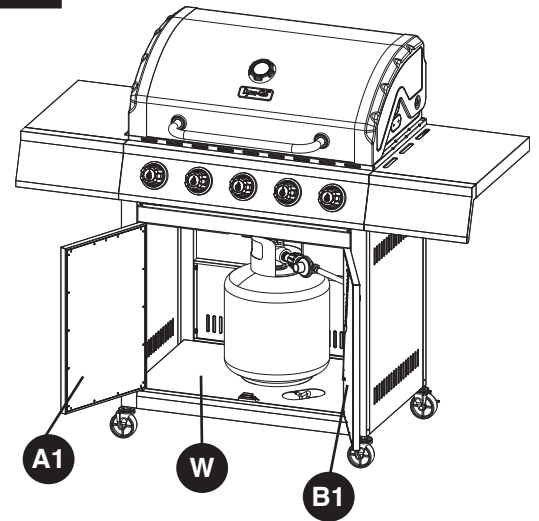


Vista delantera



Vista trasera

22



INSTRUCCIONES DE FUNCIONAMIENTO

BÚSQUEDA DE FUGAS

Después de hacer todas las conexiones, verifique que ninguna de las conexiones y los conectores de la válvula del tanque de gas PL, la manguera de gas ni el regulador tenga fugas con una solución de agua y jabón.

Para evitar incendios o explosiones al revisar una fuga:

- Siempre realice la prueba de fuga antes de encender la parrilla.
- No fume durante la prueba de fuga.
- Siempre realice las pruebas de fugas en exteriores, en un área bien ventilada.
- No utilice ninguna fuente de llamas la realizar la prueba de fugas.
- No use la parrilla hasta que haya corregido todas las fugas.
- Si no puede corregir una fuga, desconecte el suministro de propano y llame a un proveedor de servicios de electrodomésticos a gas.

REALIZACIÓN DE UNA PRUEBA DE FUGAS

- Prepare una solución de prueba de fugas mezclando 1 parte de detergente líquido para platos y 3 partes de agua. La solución total necesaria es de aproximadamente 59,15 a 88,72 ml (2 a 3 oz). Coloque la solución para pruebas de fuga en una botella con atomizador.
- Asegúrese de que todas las perillas de control estén en la posición **○ APAGADO**.
- Conecte la manguera de gas al suministro de gas.
- Abra la válvula del tanque de gas PL.
- Rocíe la solución para pruebas de fugas en todas las conexiones y los conectores por donde circule gas. La presencia de burbujas donde se aplicó la solución para pruebas indica una fuga de gas. Si detecta fugas o huele u oye gas, cierre el tanque de gas PL inmediatamente y repare o reemplace la pieza defectuosa. No use la parrilla hasta que haya corregido todas las fugas.

⚠ PRECAUCIÓN

Use solamente el ensamble del regulador y la manguera incluido. Si necesita un repuesto, llame a nuestro centro de servicio al cliente. No use piezas de repuesto que no están diseñadas para esta parrilla.

⚠ ADVERTENCIA

TODAS LAS INSTRUCCIONES Y PRECAUCIONES EN ESTA PÁGINA DEBE SEGUIR PARA EVITAR UN INCENDIO, DAÑOS Y / O LESIONES.

INSTRUCCIONES DE FUNCIONAMIENTO

CONEXIÓN DEL CILINDRO DE GAS

El cilindro de suministro de gas propano que se utilizará debe estar fabricado y marcado según las Specifications for LP-Gas Cylinders of the U.S. Department of Transportation (D.O.T.) or the National Standard of Canada, CAN/CSA-B339, Cylinders, Spheres and Tubes for Transportation of Dangerous Goods; and Commission, según corresponda; y debe incluir un dispositivo de prevención de sobrellenado homologado.

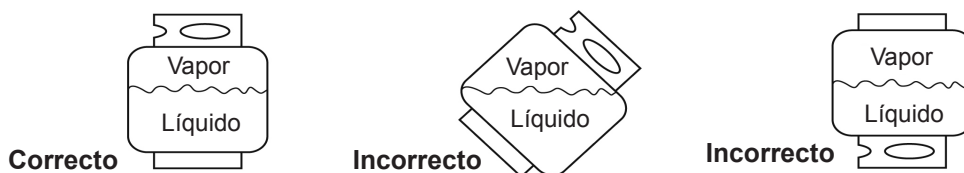
Sólo use cilindros de 9 kg (altura 46 cm, diámetro del tanque 24,99 cm, diámetro de la base: 20,40 cm) equipado con un dispositivo de conexión para el cilindro compatible con la conexión para electrodomésticos para cocinar en exteriores. El cilindro debe incluir un anillo para proteger su válvula. No debe dejar caer el cilindro de gas ni manipularlo bruscamente.

Si no utiliza el electrodoméstico, debe desconectar el cilindro de gas. Puede almacenar la unidad en el interior SÓLO si desconecta y retira el cilindro del electrodoméstico. Los cilindros se deben almacenar en el exterior, fuera del alcance de los niños, y no deben almacenarse en un edificio, garaje o cualquier otra área cerrada. El cilindro nunca se debe almacenar en lugares en que las temperaturas puedan superar los 51,6 °C.

Coloque la tapa en la salida de la válvula del cilindro cuando no esté en uso. Sólo instale el tipo de tapa que se proporciona con la válvula del cilindro en la salida de la válvula del cilindro. Otros tipos de tapas o taponos pueden causar una fuga de propano.

Antes de la conexión, asegúrese de que no haya suciedad en la salida del cilindro de gas, la salida de la válvula del regulador o en la salida y los orificios de los quemadores. Conecte la válvula del regulador y apriete firmemente con la mano. Mantenga la válvula del cilindro de propano cerrada y desconecte el cilindro de propano de la válvula del regulador cuando no use la parrilla.

NO obstruya el flujo del aire de combustión y del aire de ventilación a la parrilla. El cilindro de propano debe estar arreglado para extracción de vapor y equipado con un dispositivo de prevención de sobrellenado homologado. Coloque el cilindro en la orientación correcta para realizar la extracción de vapor. NOTA: El cilindro debe estar completamente vertical para que el cilindro sólo tenga extracción de vapor.



⚠ PRECAUCIÓN

- No almacene un cilindro de gas PL de reserva debajo o cerca de este electrodoméstico.
- Nunca llene el cilindro a más del 80% de su capacidad.
- Si no sigue con precisión la información en (a) y (b), puede provocar un incendio que produzca lesiones graves o la muerte.

INSTRUCCIONES DE FUNCIONAMIENTO

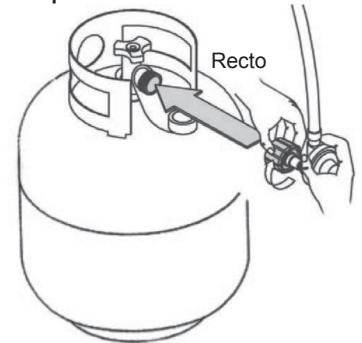
NOTA: Es posible que otros cilindros sean aceptables para su uso con este electrodoméstico si es que son compatibles con el orificio de alojamiento y los medios de retención del electrodoméstico. Consulte el Paso 22 de las Instrucciones de ensamblaje para conocer la conexión correcta del cilindro al soporte del cilindro.

⚠ ADVERTENCIA

SE DEBEN SEGUIR TODAS LAS INSTRUCCIONES Y MEDIDAS DE SEGURIDAD DE ESTA PÁGINA PARA EVITAR INCENDIOS, DAÑOS Y/O LESIONES.

CONEXIÓN DEL TANQUE DE GAS PROPANO

1. La perilla del tanque de gas propano debe estar cerrada. Asegúrese de girar la perilla en sentido de las manecillas del reloj ↻ hasta que se detenga por completo. Se debe adaptar el sistema de suministro del cilindro para la extracción de vapores.
2. Verifique que la perilla de control en la unidad de control esté apagada.
3. Retire la tapa protectora de la válvula del tanque de gas propano y la tuerca del conector.
4. Sostenga el regulador con una mano e inserte la boquilla en la salida de la válvula. Asegúrese de que la boquilla esté centrada en la salida de la válvula. La tuerca del conector se conecta a las roscas externas grandes en la salida de la válvula. Tenga cuidado, no dañe las roscas de la conexión.
5. Apriete a mano la tuerca del conector en sentido de las manecillas del reloj ↻ hasta que se detenga por completo. Apriete bien, a mano solamente. No use herramientas.



Para desconectar: Cierre completamente la válvula del tanque girándola de las manecillas del reloj ↻. Gire la tuerca de acoplamiento contraria a las manecillas del reloj ↻ hasta que el regulador se separa de montaje.

⚠ ADVERTENCIA

En el proceso de conexión, asegúrese de que:

- El conector de entrada del regulador coincida con la salida de la válvula del cilindro de manera correcta, segura y firme, y;
- La manguera de gas propano no entre en contacto ni permanezca en contacto con la cámara de combustión.

INSTRUCCIONES DE FUNCIONAMIENTO

Encender la parrilla

Antes del primer uso:









Retire todos los ahorcamientos o correas de plástico, si está presente. Antes de cocinar en la parrilla de gas nuevo, es importante para limpiar su parrilla con el calor. Para ello, utilice el grill durante unos 15 minutos con la tapa cerrada y el botón de control en la posición más alta. Esto va a limpiar las partes internas de la quema de los residuos y el olor del proceso de fabricación.

⚠ PRECAUCIÓN

Si la llama se apaga de manera accidental durante el encendido o el funcionamiento, CIERRE la válvula del cilindro y la perilla de control de inmediato.

⚠ ADVERTENCIA

No se incline sobre la parrilla al encenderla. Lea las instrucciones antes de encender la parrilla. No ponga cacerolas sobre el quemador lateral para soasar. Usando cacerolas sobre el quemador lateral para soasar creará altos niveles de monóxido de carbono.

1. Verifique que las perillas de control están en la posición  de apagado.
2. Abra completamente la válvula del tanque girándola  en el sentido inverso a las manecillas del reloj.
3. Abra la tapa durante el encendido.
4. Presione y gire la perilla de control en dirección contraria a las manecilla del reloj  desde la posición  de apagado, pasando por la posición de encendido , hasta la posición alta  para los quemadores principales y  para el quemador lateral. Puede ser necesario repetir este paso varias veces para encender el quemador. Si no se enciende después de 5 segundos,  apague el control , espere 5 minutos y repita el procedimiento de encendido.

Si el quemador continúa sin encenderse, verifique que el cilindro tiene gas y siga las instrucciones de encendido con fósforos.

INSTRUCCIONES DE FUNCIONAMIENTO

ENCENDIDO DE LA PARRILLA CON UN FÓSFORO

1. Abra la tapa.
2. Coloque un fósforo en el extremo del contenedor de fósforos instalado en el interior de la puerta del gabinete.
3. Encienda el fósforo.
4. Inmediatamente introduzca el fósforo encendido en el orificio de 1,91 cm (0,75") del costado del cuerpo de la parrilla que esté más cerca del quemador que desea encender. Asegúrese de que el fósforo encendido esté cerca de los orificios del quemador.
5. Presione la perilla de control que acciona el quemador y gírela en sentido contrario a las agujas del reloj ↶ hasta la posición de llama máxima 🔥 para los quemadores principales y 🔥 para el quemador lateral que deberían encenderse inmediatamente.
6. Si se deben encender ambos quemadores, repita los pasos 1 a 4 para encender el otro quemador.
7. Ajuste los quemadores según el nivel de cocción deseado.

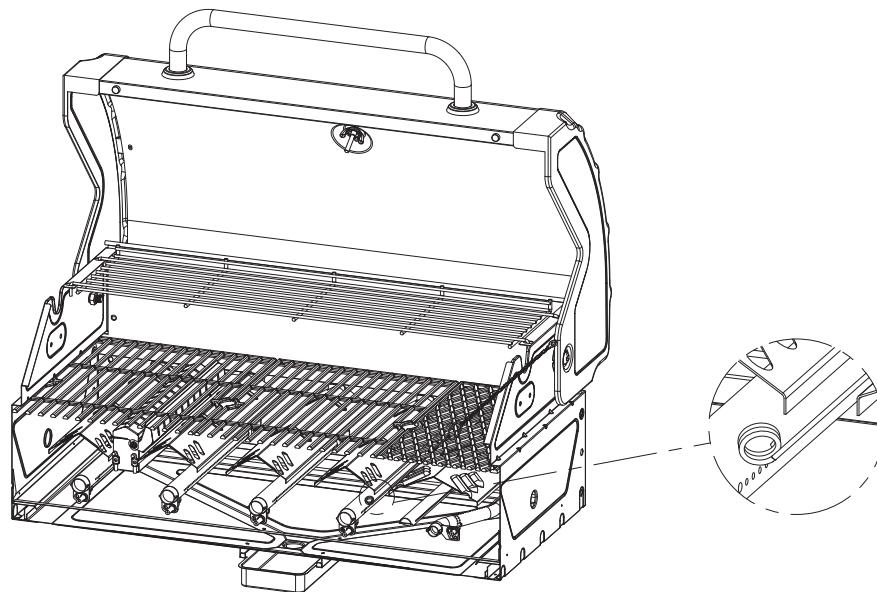
⚠ PRECAUCIÓN

Si la llama se extingue accidentalmente durante el encendido o el funcionamiento, **CIERRE** inmediatamente la válvula de cierre de gas manual y luego **APAGUE** la perilla de control.

⚠ ADVERTENCIA

Si el encendido no se produce en 5 segundos, ponga en posición de apagado **O** los controles del quemador. Espere 5 minutos y repita el procedimiento de encendido.

Quemador principal de cerillos/fósforos



INSTRUCCIONES DE APAGADO

1. Gire las perillas de control en la ↷ dirección de las manecillas del reloj hacia la posición **O** Apague.
2. Cierre la válvula del tanque completamente girándola en la ↷ dirección de las manecillas del reloj.
3. Cierre la tapa.

Corte el suministro de gas propano en el cilindro cuando no utilice el electrodoméstico.

CUIDADO Y MANTENIMIENTO

REJILLAS DE COCCIÓN

El mejor momento para “quemar” la suciedad las rejillas de cocción es después de cada uso (aproximadamente 15 minutos). La parrilla ya está caliente desde la cocción, por lo tanto, requiere menos combustible para obtener la temperatura necesaria para “quemar” la suciedad.

Para “quemar” la suciedad o limpiar con calor la parrilla, gire los quemadores a la posición máxima y déjelos encendidos durante 15 minutos con la tapa cerrada. Luego apague los quemadores y use un cepillo de alambre para limpiar el exceso de residuos de alimentos de las rejillas.

Las rejillas de porcelana tienen un acabado de esmalte (similar al vidrio) y se deben manipular con cuidado para no descascararlas.

! PRECAUCIÓN

Asegúrese de que la parrilla esté fría antes de limpiar y realizar mantenimiento y de que tenga el suministro de gas cortado en la válvula de cierre de gas manual.

Artículos De Limpieza Recomendados

Detergente líquido suave para platos, agua tibia, almohadilla de limpieza de nailon, cepillo de alambre. NO use limpiadores que contengan ácido, aguarrás ni ninguna sustancia abrasiva.

Superficies Exteriores

Se recomienda usar sólo detergente para platos suave y agua caliente para limpiar la parrilla y sus piezas. Enjuague con agua tibia.

Bandeja Inferior Interior Del Cuerpo De La Parrilla

Para evitar llamaradas, la bandeja inferior de la cámara de cocción se debe mantener limpia de forma regular. Retire los residuos con un cepillo, raspador y/o almohadilla de limpieza. Lave con detergente para platos suave y agua tibia. Enjuague con agua tibia. Evite salpicar agua en los tubos venturi de los quemadores.

Cámaras De Calor

Limpie los residuos con un cepillo de alambre y lave con detergente para platos suave y agua tibia.

Enjuague con agua tibia.

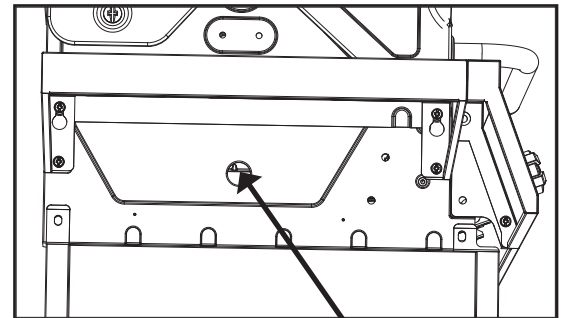
Recipiente De Grasa

Vacíe el recipiente de grasa y limpie con detergente para platos suave y agua tibia de forma regular.

Verificación De La Llama

Para una máxima eficiencia del combustible y rendimiento de cocción, la llama debe ser en su mayoría o totalmente de color azul y medir entre 2,54 y 5,08 cm de alto.

Para verificar la llama, vea la llama a través del orificio de encendido con fósforo en el costado de la cámara de combustión.



Agujero para ver la llama



CUIDADO Y MANTENIMIENTO

ENSAMBLE DEL QUEMADOR

Extracción Del Ensamble Del Quemador

1. Asegúrese de que todas las perillas de control se encuentran en la posición de OFF, que la válvula del tanque de PL está cerrada y que el tanque está desconectado del regulador y alejado de la parrilla.
2. Abra la tapa y retire la rejilla para calentar, conjunto del ahumador, las rejillas de cocción y las cámaras de calor.
3. Retire los pasadores de chaveta en la parte posterior de los quemadores para separar los quemadores de soportes como se ilustra en la Figura 1.
4. Quite los quemadores principales y el quemador lateral de la cámara de combustión.
5. Separar el cable de encendido del electrodo en la Figura 2.

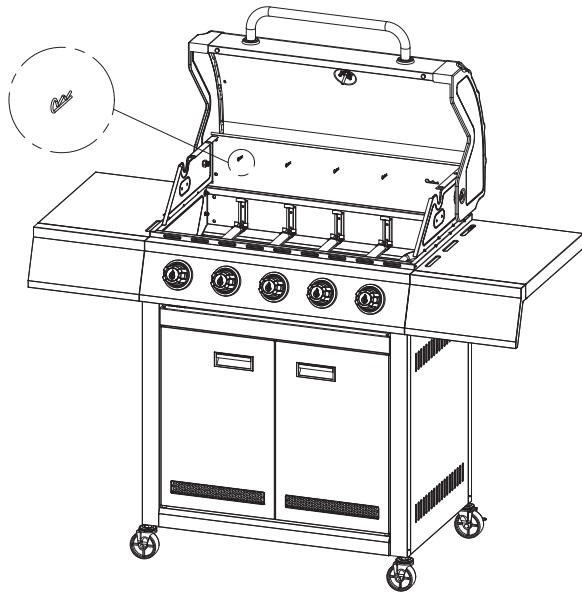
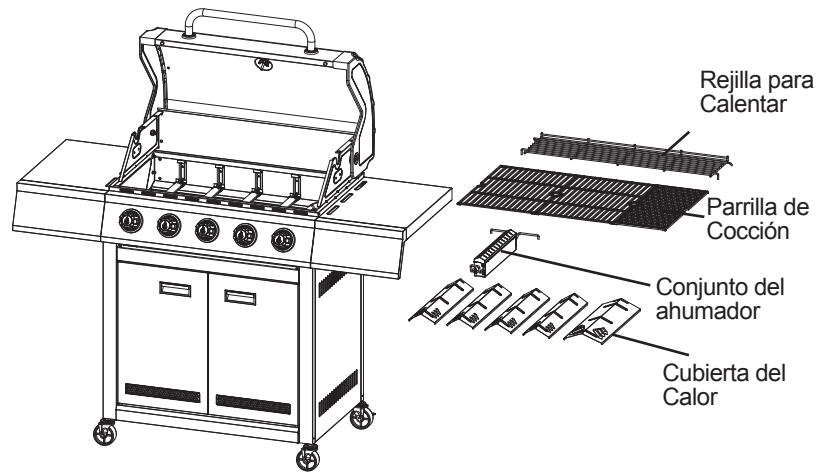


Figura 1

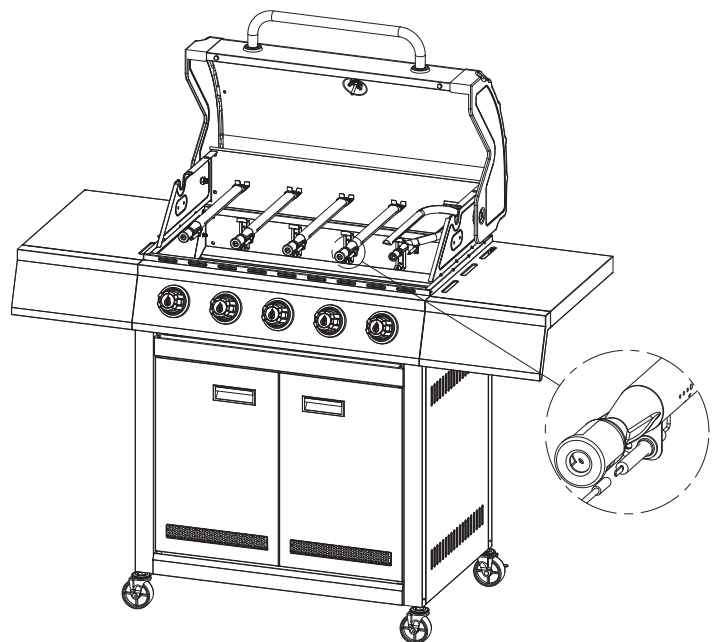


Figura 2

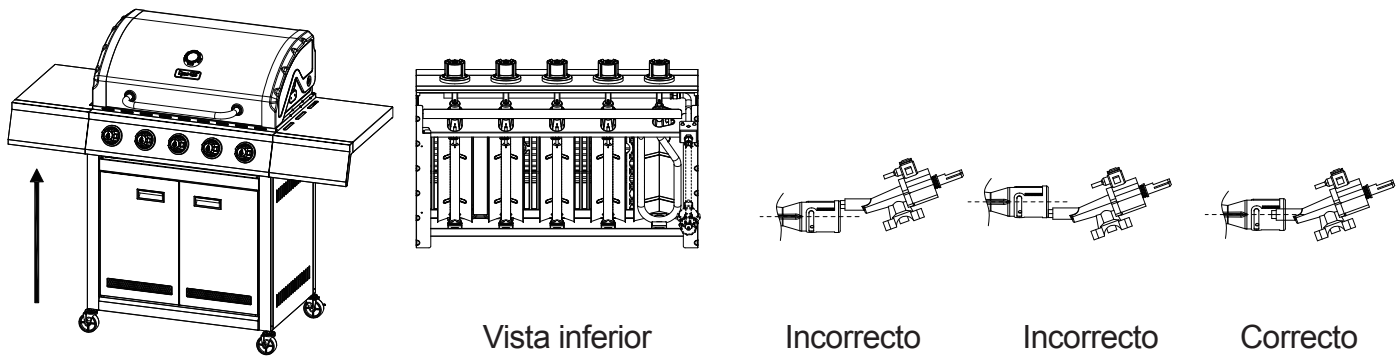
CUIDADO Y MANTENIMIENTO

LIMPIEZA DEL ENSAMBLE DEL QUEMADOR – Asegúrese de que la parrilla esté fría

1. Asegúrese de que todos los orificios del quemador estén libres de obstrucciones. Utilizar un pasador o sujetapapeles funciona bien.
2. Asegúrese de que el quemador no tenga ningún daño. Si el quemador está dañado, reemplácelo por uno nuevo.
3. Asegúrese de que el extremo del quemador y la pantalla para aire primaria estén libres de nidos de insectos, polvo o desechos.

REINSTALACIÓN DEL QUEMADOR

Asegúrese de que los orificios estén en la posición correcta dentro de la entrada (venturi) del quemador. Es posible que necesite una linterna para garantizar la posición correcta. Se recomienda ver la posición correcta por los orificios de ventilación de la cámara de combustión como se ilustra a continuación.



Ver la posición correcta desde la parte inferior de la caja de fuego

⚠ ADVERTENCIA

Si no siguen las instrucciones que aparecen anteriormente, podría producirse un incendio o una explosión y causar lesiones graves o la muerte.

OTROS CUIDADOS Y MANTENIMIENTO

Se recomienda que un técnico calificado realice una inspección y mantenimiento anual en este electrodoméstico.

Se recomienda que verifique regularmente que no haya materiales combustibles, gasolina ni otros vapores o líquidos inflamables cerca de la zona donde está el electrodoméstico para cocción a gas para exteriores.

Se recomienda que verifique regularmente que el flujo de aire de combustión y ventilación no esté obstruido.

Se recomienda que verifique regularmente que no haya desechos en las aberturas de ventilación del compartimiento del cilindro (gabinete).

Se recomienda que verifique y limpie regularmente el quemador y los tubos venturi para que no haya nidos de insectos. Un tubo obstruido puede ocasionar un incendio debajo de la parrilla.

SOLUCIÓN DE PROBLEMAS

Si tiene preguntas relacionadas con el producto, llame al Servicio al Cliente al 1-877-447-4768, 8:30 a.m. - 4:30 p.m. CST, de lunes - viernes.

PROBLEMA	CAUSA POSIBLE	ACCIÓN CORRECTIVA
<p>El quemador no se enciende con el procedimiento del encendedor (se genera una chispa débil o no se genera ninguna).</p>	<ol style="list-style-type: none"> 1. El electrodo del encendedor puede estar cubierto de grasa o residuos. 2. El electrodo del encendedor puede tener un cable suelto o desconectado. 3. El electrodo del encendedor está roto o descompuesto. 	<ol style="list-style-type: none"> 1. Limpie el electrodo del encendedor. 2. Verifique la conexión y vuelva a conectar cualquier cable suelto o desconectado. 3. Reemplace el electrodo del encendedor (consulte la lista de piezas de repuesto).
<p>El calor es bajo.</p>	<ol style="list-style-type: none"> 1. Hay una presión de gas insuficiente en la unidad. 	<ol style="list-style-type: none"> 1. Llame a una agencia de servicio calificada para verificar la presión de suministro de gas y corrija la presión.
<p>Llamaradas excesivas.</p>	<ol style="list-style-type: none"> 1. Hay grasa y/o residuos acumulados en las cámaras de calor o en la cámara de combustión. 2. Hay un goteo de grasa o marinado desde los alimentos. 3. La temperatura de cocción es demasiado alta. 	<ol style="list-style-type: none"> 1. Limpie los componentes de la parrilla. 2. Corte la grasa de la carne y use marinados que no sean a base de aceite. 3. Baje la temperatura según corresponda.

SOLUCIÓN DE PROBLEMAS

PROBLEMA	CAUSA POSIBLE	ACCIÓN CORRECTIVA
<p>El quemador no se luz con un fósforo.</p>	<ol style="list-style-type: none"> 1. El fósforo no alcanza los quemadores (al sostenerlo con la mano). 2. El suministro de gas está cerrado. 3. Hay una mala conexión entre el conector del tapón de la manguera de gas y el acoplador de los manguitos. 4. La entrada del quemador está bloqueada. 	<ol style="list-style-type: none"> 1. Use el soporte para fósforos que se encuentra en la puerta del gabinete. 2. Verifique que la válvula de cierre de suministro de gas manual esté abierta. 3. Apague las perillas de la parrilla, cierre la válvula de cierre de suministro de gas y verifique la conexión entre el tapón y el acoplador de los manguitos. Desconecte y vuelva a conectar, si es necesario. 4. Limpie la entrada del quemador (venturi) y el quemador como se describe en la sección Cuidado y mantenimiento de este manual.
<p>No hay flujo de gas o un obstruido el flujo de gas.</p>	<ol style="list-style-type: none"> 1. El suministro de gas está cerrado. 2. Vacíe el tanque. 3. Hay una mala conexión entre el conector del tapón de la manguera de gas y el acoplador de los manguitos. 4. La entrada del quemador está bloqueada. 	<ol style="list-style-type: none"> 1. Verifique que la válvula de cierre de suministro de gas manual esté abierta. 2. Revise el nivel de combustible y reemplace el combustible si es necesario. 3. Apague las perillas de la parrilla, cierre la válvula de cierre de suministro de gas y verifique la conexión entre el tapón y el acoplador de los manguitos. Desconecte y vuelva a conectar, si es necesario. 4. Limpie la entrada del quemador (venturi) y el quemador como se describe en la sección Cuidado y mantenimiento de este manual.

GARANTÍA LIMITADA

1 año de garantía limitada

Esta parrilla a gas PL está garantizada por 1 año contra piezas rotas o dañadas desde la fecha de compra. Se garantiza que está libre de defectos. La pintura está garantizada contra defectos, salvo la oxidación, la cual puede aparecer después del uso repetido.

Esta garantía no cubre daños o problemas ocasionados por negligencia, abuso o modificaciones al electrodoméstico. Los gastos de reparación no están cubiertos.

Todas las piezas que cumplan con los requisitos de la garantía se enviarán sin cargo por el medio que decida el fabricante (envíos por tierra, correo de EE.UU. o servicios de paquetes postales ÚNICAMENTE). Cualquier otro gasto especial de manipulación (es decir, envíos de dos días, al día siguiente, etc.) será de responsabilidad del cliente.

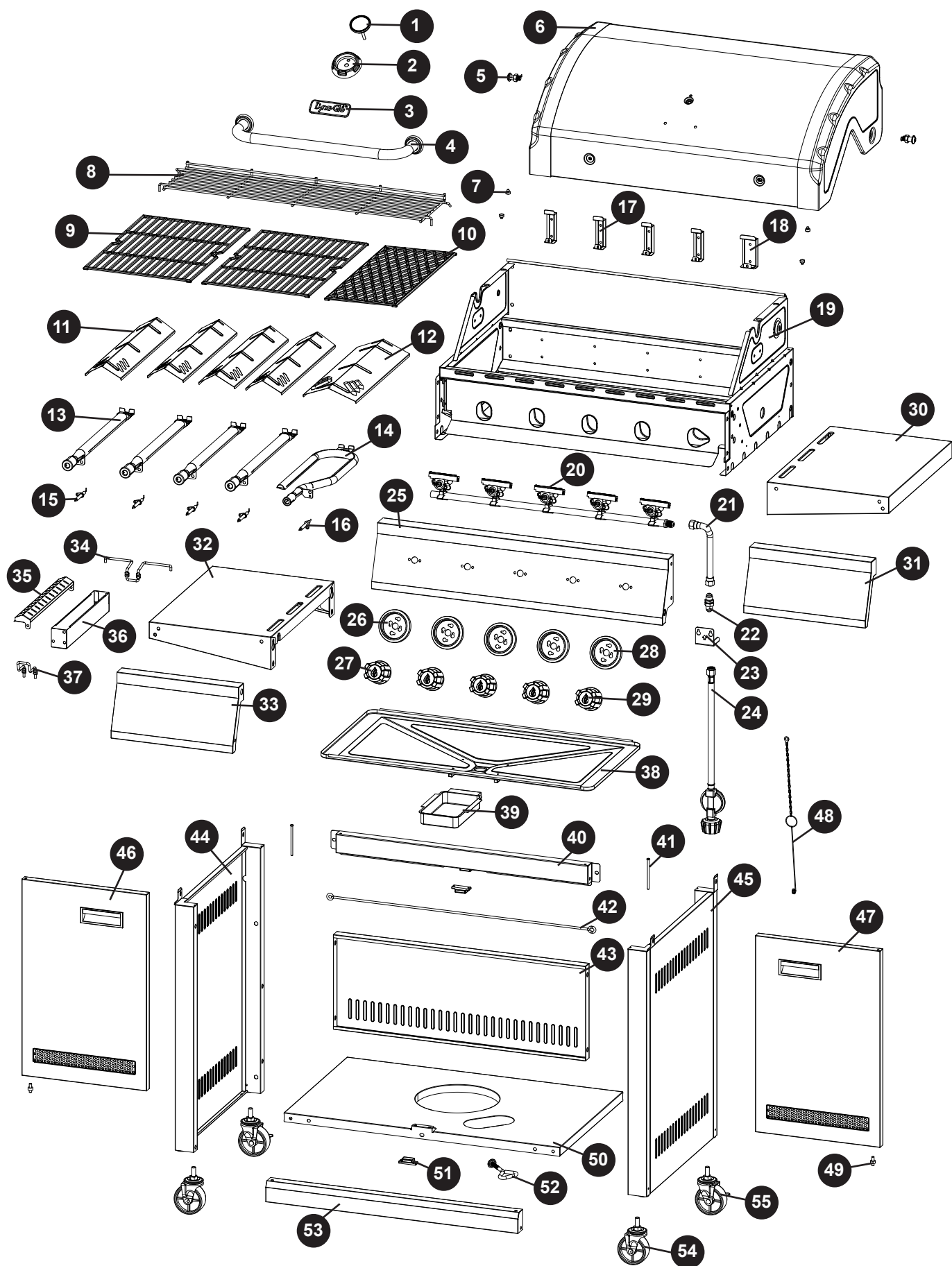
Todos las reclamaciones de garantía se aplican sólo al comprador original y requieren un comprobante de compra para verificar la fecha de la misma. No devuelva piezas sin antes obtener un número de autorización para la devolución de nuestro Servicio al Cliente. Este servicio está disponible llamando gratis al 1-877-447-4768, de 8:30 am - 4:30 pm, hora central, de lunes - viernes.

AVISO: Algunos estados no permiten la exclusión o limitación de daños accidentales o resultantes, o limitaciones en cuanto al período de duración de una garantía, de modo que las limitaciones o exclusiones anteriores pueden no aplicarse a usted. Esta garantía le otorga derechos legales específicos, pero podría tener también otros derechos legales que varían según el estado.

GHP Group Inc.
6440 W. Howard Street
Niles, IL, USA
60714-3302

Nombre del artículo: 5 Quemadores De Gas PI Parrilla De Gas Con Amplia Estación De Quemador
Modelo #: DGH483CRP/DGH483CRP-D
Total quemador principal nominal BTU: 48,000 BTU/Hr
Quemador lateral BTU: 15,000 BTU/Hr

LISTA DE PIEZAS DE REPUESTO



LISTA DE PIEZAS DE REPUESTO

Para obtener piezas de repuesto, llame a nuestro Departamento de Servicio al Cliente al 1-877-447-4768, de 8:30 am - 4:30 pm, hora central, de lunes - viernes.

PARTE	DESCRIPCION	PARTE #
1	Conjunto del indicador de temperatura	70-02-264
2	Bisel del indicador de temperatura (negro)	70-01-906
3	Placa	104-22006
4	Conjunto de la manija de la tapa	70-01-908
5	Pasador pivote de la tapa con pasador hendido	70-01-641
6	Conjunto de la tapa	70-01-907
7	Tope de la tapa	70-01-176
8	Rejilla para calentar	70-01-909
9	Rejilla para cocinar para el quemador principal	70-01-910
10	Rejilla para cocinar para el quemador lateral	70-01-911
11	Protector térmico para el quemador principal	70-01-912
12	Protector térmico para el quemador lateral	70-01-913
13	Conjunto de la cámara de combustión con pantalla térmica	70-01-609
14	Quemador lateral con pantalla térmica	70-01-914
15	Encendedor del quemador principal	70-01-283
16	Encendedor del quemador lateral	70-01-112
17	Soporte del quemador principal y del protector térmico	70-01-915
18	Soporte del quemador lateral y del protector térmico	70-01-916
19	Conjunto de la cámara de combustión con pantalla térmica	70-01-917
20	Conjunto del colector y las válvulas principales	70-02-271
21	Conjunto del tubo corrugado	70-01-645
22	Conector	70-02-110
23	Placa de fijación del conector	70-01-918
24	Conjunto del regulador y la manguera	70-02-272
25	Conjunto del panel de control principal	70-01-919
26	Bisel de la perilla de control para el quemador principal	70-01-920
27	Perilla de control para el quemador principal	70-01-921
28	Bisel de la perilla de control para el quemador lateral	70-01-922
29	Perilla de control para el quemador lateral	70-01-923
30	Mesa del lateral derecho	70-01-924
31	Panel frontal de la mesa del lado derecho	70-01-925
32	Conjunto de la mesa del lado izquierdo	70-01-926
33	Panel frontal de la mesa del lado izquierdo	70-01-927
34	Soporte trasero del ahumador con aditamentos	70-01-928
35	Tapa del ahumador con aditamentos	70-01-929
36	Cuerpo del ahumador con aditamentos	70-01-930
37	Soporte frontal del ahumador con aditamentos	70-01-932
38	Grasera grande	70-01-933
39	Grasera pequeña	70-01-187
40	Tirante de la puerta de la parte frontal superior	70-01-934
41	Eje superior de la puerta	70-09-114
42	Exclusión del cilindro	70-01-935
43	Panel trasero del carro	70-01-936
44	Conjunto del panel del lado izquierdo del carro	70-01-937

LISTA DE PIEZAS DE REPUESTO

PARTE	DESCRIPCION	PARTE #
45	Conjunto del panel del lado derecho del carro	70-01-938
46	Conjunto de la puerta izquierda	70-01-939
47	Conjunto de la puerta derecha	70-01-940
48	Portafósforo con cadena	70-01-204
49	Eje inferior de la puerta	70-09-115
50	Estante inferior	70-01-941
51	Imán	70-02-293
52	Conjunto de tornillos de retención del cilindro	70-02-292
53	Marco de la parte frontal inferior del carro	70-01-942
54	Ruedecillas giratorias sin mecanismo de bloqueo	70-05-100
55	Ruedecillas giratorias con mecanismo de bloqueo	70-05-101
n/a	Paquete de tornillería	70-09-545
n/a	Manual de instrucciones del propietario	70-10-130