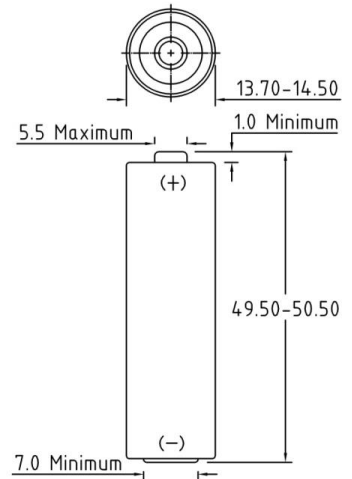


Dorcy Heav Duty battery TDS

Size: AA (R6)

Zinc Manganese Dioxide Battery

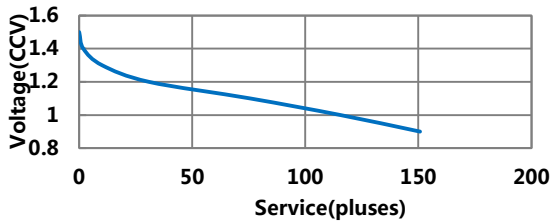
Zn/MnO₂



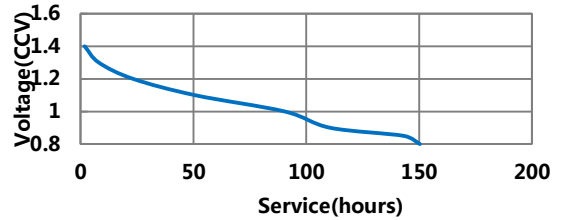
Nominal voltage	1.5 V
Impedance	650 m-ohm @ 1 kHz
Typical weight	14.0 g (0.49 oz)
Typical volume	8.3 cm ³ (0.5 in ³)
Terminals	Flat
Storage temperature range	5°C to 30°C(41°F to 86°F)
Operating temperature range	-18°C to 54°C(0°F to 129°F)
Designation	ANSI: 15D IEC: R6P

(unit: millimeters)
Dimensions shown are IEC standards

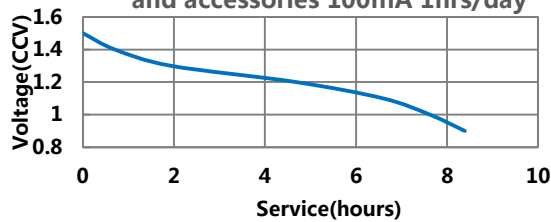
#REF!



#REF!



CD, digital audio, wireless gaming and accessories 100mA 1hrs/day



Radio / Clock / Remote Control 50mA 1 h on, 7 h off for 24 h per day

