

Model No. VPR14-4K-WM-GR
Mfr. SKU 103-04000027-1

PROBRITE™

**VAPORPRO
LED VAPOR TIGHT**

**INSTALLATION,
USAGE, & CARE GUIDE**



Questions? / Missing Parts? / Need Accessories?

Before returning to the store, call or email PROBRITE
Customer Service 9am-5pm EST Monday to Friday.

1-844-507-5651

support@PROBRITE.com

PROBRITE.COM

Visit us online anytime or call us to get information on our product range, download detailed spec & photometric files, find product and mounting accessories, view installation tutorials and videos, and learn about our DLC® rebate eligible products.

Table of Contents

Table of Contents.....	2	Installation.....	5
Safety Information.....	2	Care & Cleaning.....	12
Pre-Installation.....	3	Troubleshooting.....	12
Planning Installation.....	3	Warranty.....	13
Specifications.....	3		
Tools Required.....	3		
Hardware Included.....	4		
Package Contents.....	4		

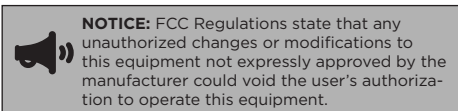
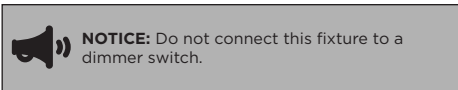
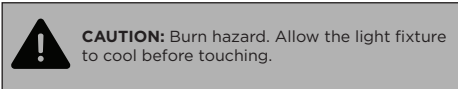
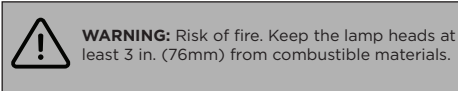
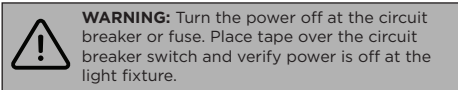
Safety Information

IMPORTANT

THIS PRODUCT MUST BE INSTALLED IN ACCORDANCE WITH THE APPLICABLE NATIONAL ELECTRICAL CODE AND LOCAL BUILDING CODES BY A PERSON FAMILIAR WITH THE CONSTRUCTION AND OPERATION OF THE PRODUCT AND THE HAZARDS INVOLVED.

PRECAUTIONS

- Please read and understand this entire manual before attempting to assemble, install, or operate this light fixture.
- This light fixture requires a 120-277Volt AC power source.
- Some codes require installation by a qualified electrician.
- This light fixture must be properly grounded.
- Make sure connections are secure using wire nuts, crimp-on lugs or other approved connecting devices
- This light fixture should be installed outdoors on the wall.
- This product may contain chemicals known to be hazardous. Thoroughly wash hands after installing, handling, cleaning or otherwise touching the product.



Pre-Installation

PLANNING INSTALLATION

Before installing the light fixture, ensure that all parts are present. Compare parts with the *Hardware Included* and *Package Contents* sections. If any part is missing or damaged, do not attempt to assemble, install, or operate this light fixture.

Estimated installation time: 20 minutes

SPECIFICATIONS

Lumens (Light Output)	1900 Lumens
Watts (Power Consumption)	14 Watts LED
Replaces	150 Watt Incandescent
Lumens/Watts (Efficacy)	136
Power Requirements (Input Voltage)	120-277VAC
Light Color (CCT)	4000 Kelvins (Bright White)
Dimmable	Dimming (Use with 0-10V dimming switch)
Operating Modes	Switch-Controlled: Flip switch to turn light fixture ON and OFF. Use included light sensor cap on fixture's light sensor to utilize this mode setting.

TOOLS REQUIRED



⊕ Phillips Screwdriver



Wire strippers/cutters



Circuit tester



Silicone Sealant



Work gloves



Ladder



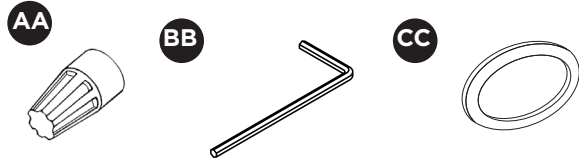
Safety goggles

Pre-Installation (continued)

HARDWARE KIT

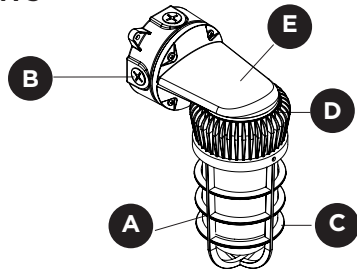


NOTE: Hardware *not* shown to actual size.



Part	Description	Quantity
AA	Wire nut	3
BB	Allen key	1
CC	Junction box gasket	1

PACKAGE CONTENTS

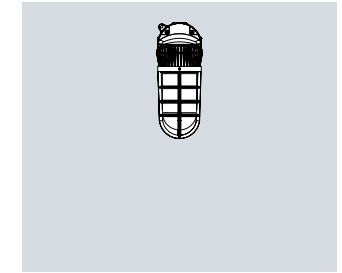


Part	Description	Quantity
A	Light protection globe	1
B	Cast junction box	1
C	Globe wire guard	1
D	Heat sink	1
E	Wall mount arm	1

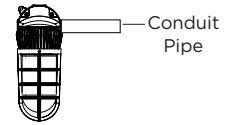
Installation

1 For best results

- The fixture can be mounted in the following two ways:
- A. Direct to Surface / Junction Box:** This fixture includes an external junction box to mount anywhere. Fixture can also be mounted on top of recessed junction box (may require tapping hole in fixture base or drilling holes on surface outside of internal junction box.)
- B. Side Conduit Surface Mount:** The fixture can also be mounted directly on the wall surface using side conduit entries.
- Install light 8-15 feet above the ground.
- When installing two fixtures on one switch, make sure the switch is rated for at least a 1A inductive load.
- Do NOT wire to dimming switch.



**Direct to Wall Mount/
Junction Box**



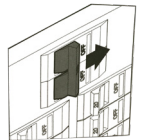
Side Conduit Entry

2 Shut electric power off

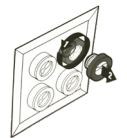
- At wall switch verify it is in the off position (fig 1).
- At the main electrical panel turn off the circuit breaker that supplies power to the outlet box you are working on (fig 2).
- For screw-in type fuses unscrew the fuse that supplies power to the outlet box you are working on (fig 3).



(fig 1).



(fig 2).



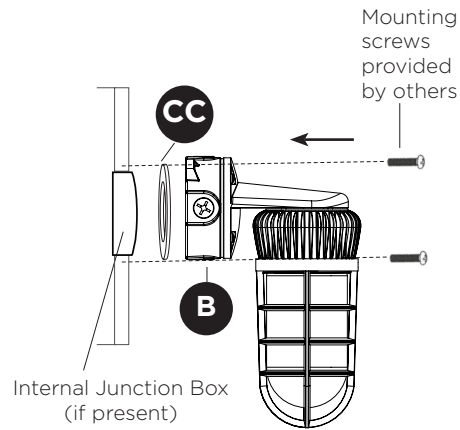
(fig 3).

Installation (continued)

Follow Instructions Below for Direct Surface Mounting

3A Mounting Direct Surface/ Junction Box

- Mark mounting holes on the surface of the wall or ceiling (outside of the internal junction box, if applicable)
- Pre-drill holes into the mounting surface
- Make electrical connections per the wiring instructions on stet 4A.
- Use suitable screws/bolts for the mounting surface (screws provided by others)
- Place gasket (CC) between the fixture and mounting surface
- Secure the fixture by tightly screwing it into the surface firmly
- See step 7 for chalking instructions



Direct to Surface Mounting

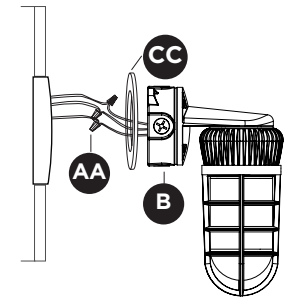


NOTE: Mounting holes should be drilled outside internal junction box (if present) for most junction boxes

Installation (continued)

4A Electrical wiring

- Pull the wires from the back of the fixture and thread through the gasket (DD). (Fig. 1)
- Make wiring connections (see wiring instructions below) and place connected wires inside the fixture's junction box (B)



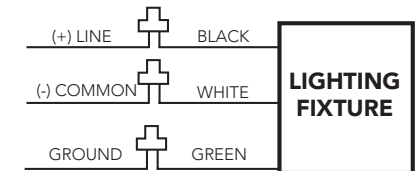
(fig 1).

Wiring instructions

- If necessary, strip 3/8" of insulation from junction box or fixture (A) wires (fig 2).
- Connect *fixture black wire to house black wire*, the (+) line, and *fixture white wire to house white wire*, the (-) common by twisting the exposed wires together and using the wire nuts (AA). Ensure no loose wires.
- Connect *house ground wire to the green fixture ground wire*, by twisting the exposed wires together and using the wire nuts (AA).



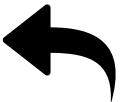
(fig 2).



TIP: Hold stripped ends near each other and align any frayed strands (do not twist wires).

Push the wires into wire nut (BB) and use your fingers to twist the wire nut clockwise until tight. Check for tightness by pulling wires.

TURN PAGE
For Side Entry Conduit Surface Mounting

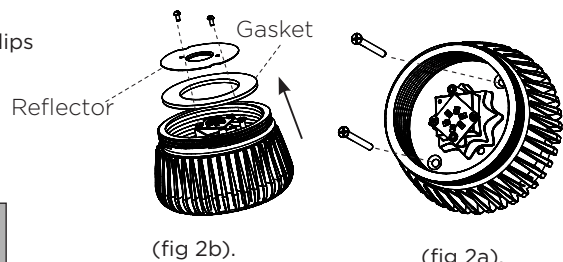
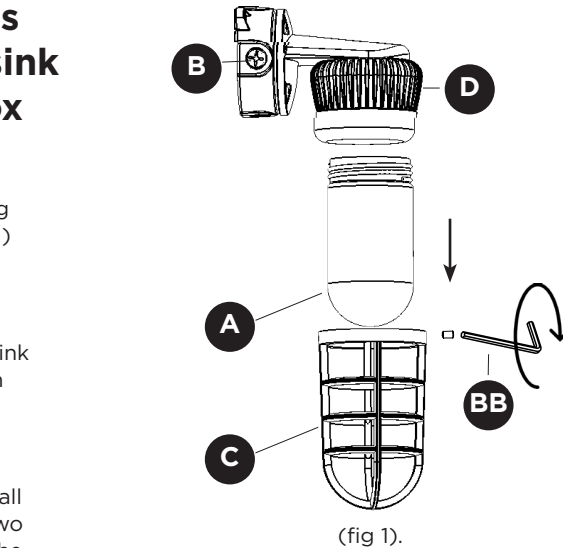


Installation (continued)

Follow Instructions Below for Side-Entry Conduit Surface Mounting

3B Remove the glass globe and heat sink from junction box

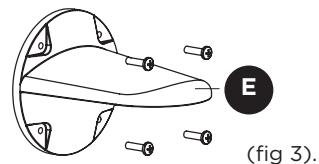
- Remove the wire guard (C) from the heat sink (D) by loosening the locking screw using the allen key (BB). (Fig. 1)
- Remove the globe (A) from the heat sink (D) by unscrewing it. (Fig. 1)
- Remove the reflector from the heat sink (D) by loosening two small screws on top (Fig 2a).
- Remove the black rubber gasket.
- Remove the heat sink (D) from the wall mounting arm (E) by removing the two philips head screws on each side of the heat sink as shown in Fig. 2b.
- Also remove the wall mounting arm (E) from the cast junction box (B) by removing the four screws using a philips screwdriver. (Fig. 3)



NOTE: To remove the junction box (A), first remove the black rubber gasket inside the heat sink and then unscrew the two screws underneath



CAUTION: DO NOT touch the LED and DO NOT damage or soil the reflector inside the heat sink.

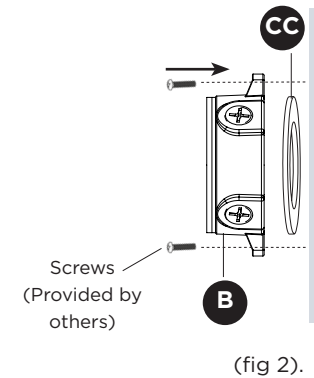
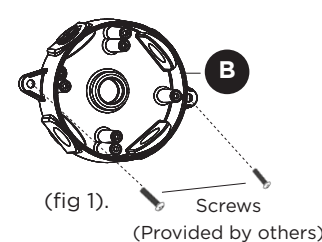


Installation (continued)

4B Installing the external junction box

Surface Conduit Mount

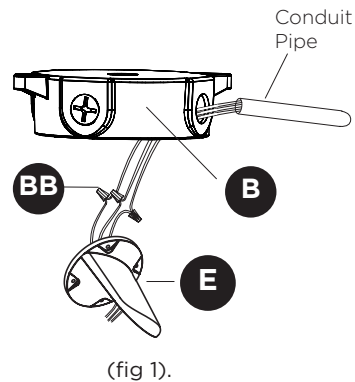
- Mark and drill two holes on the wall surface as per the desired location for fixing the cast junction box (B).
- Place the junction box gasket (CC) between the cast junction box (B) and the wall surface. (Fig. 2)
- Use suitable screws applicable to the mounting surface and secure the junction box (B) on the surface. (Fig. 2)



5B Making the electrical connections

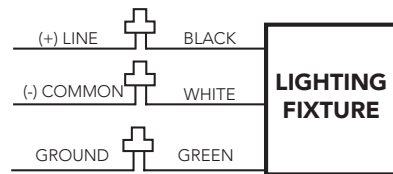
Side Conduit Surface Mount

- Remove one conduit plug from the side of the junction box (B) from the where conduit will enter (Fig. 1).
- Screw the removed conduit plug into the back hole of the junction box
- Pull the wires from the conduit entry through the side conduit entry into the junction box (B) and also thread fixture leads wire through the mounting arm (E).
- Make wiring connections inside the junction box (B) as per the instructions given below.



Wiring instructions

- If necessary, strip 3/8" of insulation from junction box or fixture (A) wires (fig 2).
- Connect *fixture black wire to house black wire*, the (+) line, and *fixture white wire to house white wire*, the (-) common by twisting the exposed wires together and using the wire nuts (AA). Ensure no loose wires.
- Connect *house ground wire to the green fixture ground wire*, by twisting the exposed wires together and using the wire nuts (AA).

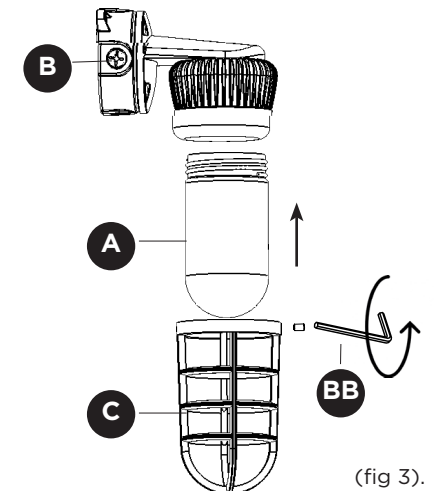
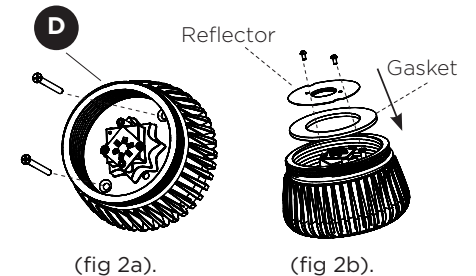
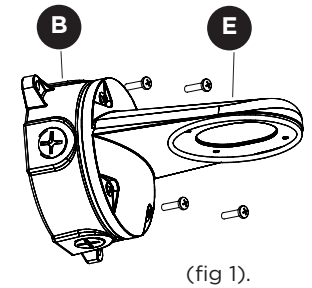


TIP: Hold stripped ends near each other and align any frayed strands (do not twist wires).
Push the wires into wire nut (BB) and use your fingers to twist the wire nut clockwise until tight. Check for tightness by pulling wires.

6B Mounting the light fixture

Surface Conduit Mount

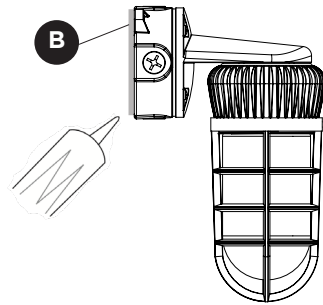
- Fix the wall mount arm (E) on the cast junction box (B) using the four screws removed earlier. (Fig. 1)
- Replace the heat sink (D) to the wall mount arm (E) by tightening the two screws removed earlier, using the philips screwdriver. (Fig. 2a)
- Replace the black rubber gasket and then fix the reflector back on the heat sink (D) using two small screws removed earlier. (Fig. 2b).
- Replace the polycarbonate globe (A) on the heat sink (D) by screwing it back on. (Fig. 3)
- Screw the wire guard (C) over the glass globe (A) and tighten the wire guard locking screw using the allen key (BB). (Fig. 3)



Installation (continued)

7 Caulking around the light fixture

- Caulk around the cast junction box (B) and surface with silicone sealant (not included).
- If applicable, caulk around any conduit pipes and conduit entry holes to make a water-tight seal.



NOTICE: Failure to properly caulk around the surface and cast junction box (B) could lead to water damage and is not covered under warranty.

Care and Cleaning

- Shut off main power supply before cleaning the product. To prolong the original appearance, clean the light fixture with clear water and a soft, damp cloth only.
- Do not use abrasive cleaners or cleaners that contain alcohol. Do not apply paints, solvents, or any other chemicals on this light fixture. They could cause a premature deterioration of the finish and may void the warranty.
- Do not spray the light fixture with a hose or power washer.

Troubleshooting

If Light does not come on:

- Verify that the power is turned ON from the circuit breaker and wall switch.
- Verify the wiring for the fixture is done properly.
- Verify the line voltage is correct.

If Light flickers:

- Do not wire to a dimming switch, use a standard ON/OFF switch

5-Year Limited Warranty

This is a limited warranty offered by Probrite for a period of five years from the date of purchase to its customers. Probrite warrants to customers that the products will be free from defects in material and workmanship. The obligation of Probrite under this warranty is limited to the provision of replacement of products and is extended to the original purchaser of the product on presenting valid purchase receipt or other proof of date of original purchase acceptable to Probrite. The receipt is required for rendering the warranty performance. Any warranty claims without original proof of purchase would not be accepted.

It should be noted that the warranty does not apply to Probrite products that have been altered or repaired by unauthorized personnel, have been subjected to neglect, abuse, misuse or accident or damages caused during shipping. Any other products not manufactured by Probrite which have been supplied, installed and/or used in conjunction with Probrite products are not covered under this warranty. Any damages caused by replacements bulbs, LEDs or corrosion or discoloration of brass components are also not covered by this warranty.

Limitation of Liability:

In no event Probrite shall be liable for indirect, consequential, incidental or special damages, or lost profits. Probrite is not liable for any claims or damage arising out of or connected with the manufacture, sale, delivery, use, maintenance and repair or modification of Probrite products, or supply of any replacement parts that, exceed the purchase price of Probrite products giving rise to a claim. Labor charges to remove or install the fixtures will not be accepted.

To Claim:

Please contact PROBRITE customer service at 1-844-507-5651 or email support@PROBRITE.com and include your name, address and contact number, along with a copy of the purchase receipt and a brief description of the problem.

PROBRITE™

Questions? / Missing Parts? / Need Accessories?

Before returning to the store, call or email PROBRITE
Customer Service 9am-5pm EST Monday to Friday.

1-844-507-5651

support@PROBRITE.com

PROBRITE.COM

RETAIN THIS MANUAL FOR FUTURE USE

**Para las translaciones en español,
visit www.probrite.com/install**