



FRIGIDAIRE

Factory Parts Catalog

Product No.	FFGC3026SBA	FFGC3026SSA	FFGC3026SWA
	943253931	943253932	943253930
Series	30" gas	30" gas	30" gas
Color	black	stainless	white
Market	North America	North America	North America
Wiring Diagram	318047111	318047111	318047111
Owner's Guide	A01704503	A01704503	A01704503
Installation Instructions	A01705101	A01705101	A01705101

Frigidaire

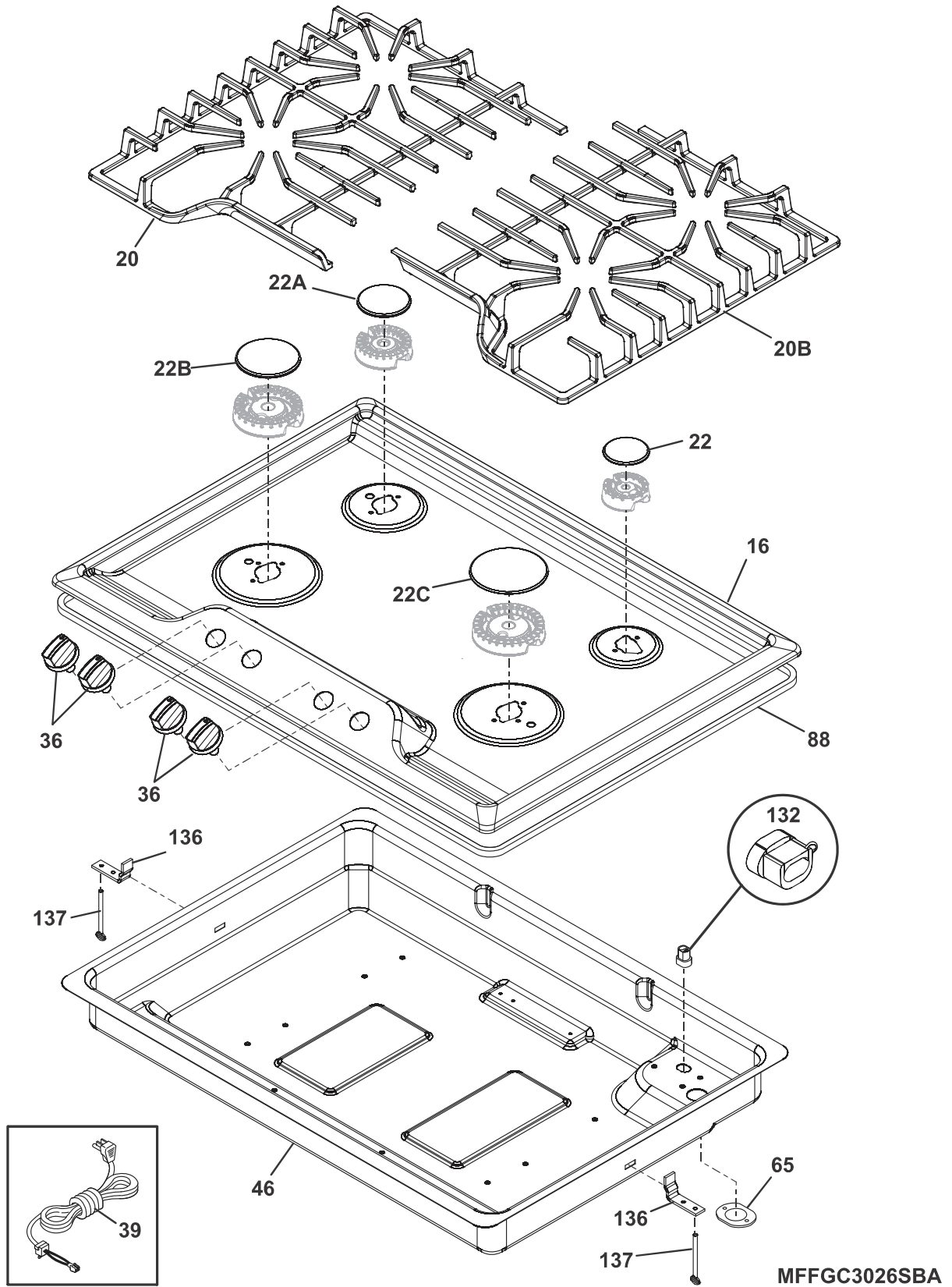
P.O. BOX 8020
CHARLOTTE, NC 28262

Publication No.
5995673190
16/02/17
(EN/SERVICE/ECL)
377

30" GAS COOK-TOP RANGE

Model No.
FFGC3026S

COOK TOP

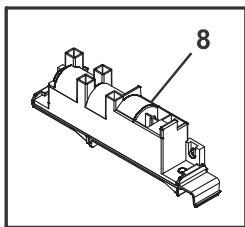
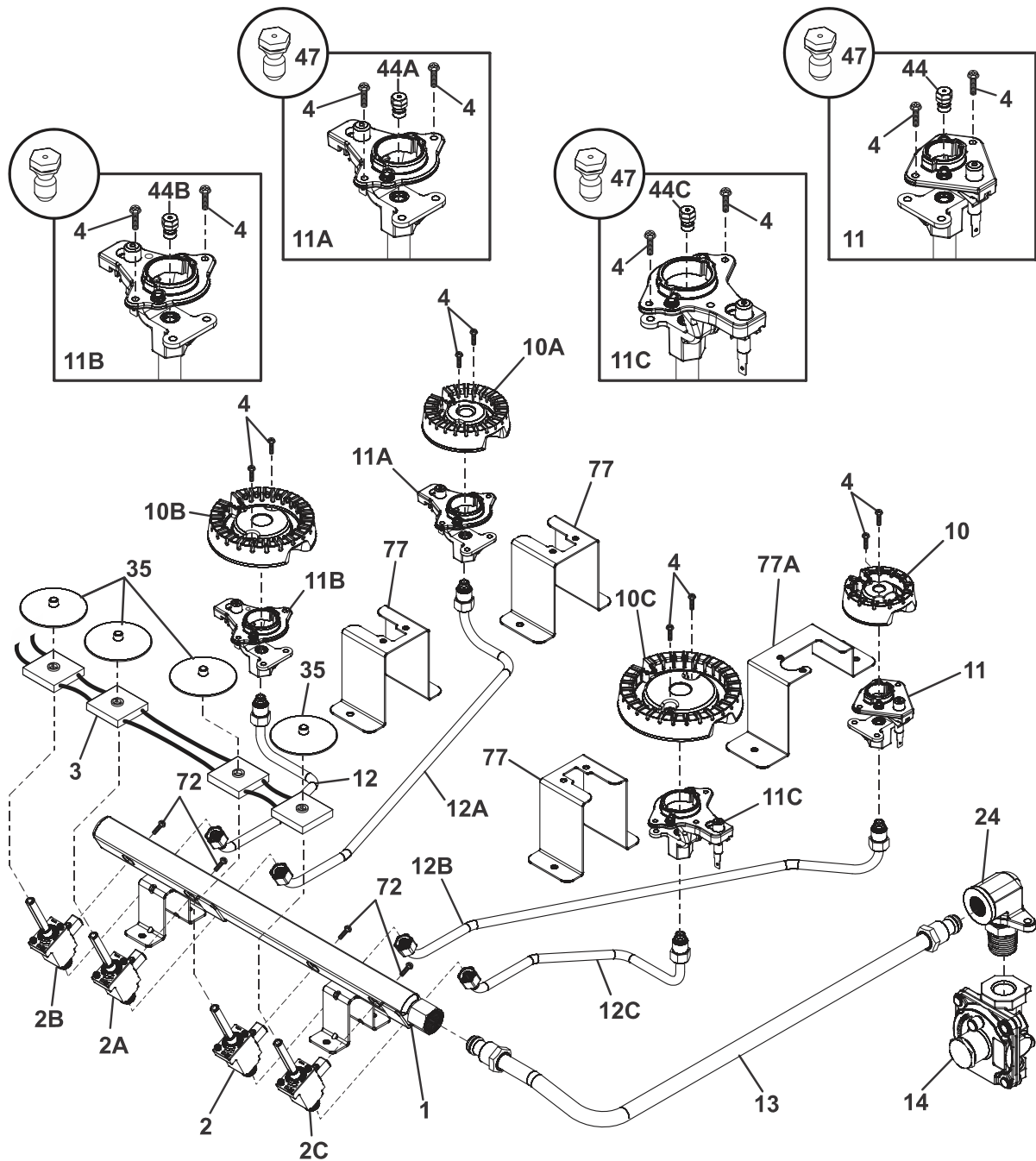


COOK TOP

Model Index: A FFGC3026S (FFGC3026SBA)
 B FFGC3026S (FFGC3026SSA)
 C FFGC3026S (FFGC3026SWA)

POS. NO	PART NO.		DESCRIPTION
16	5304504847	A - -	Main Top, assembly, black
16	5304504848	- B -	Main Top, assembly, stainless
16	5304504849	- - C	Main Top, assembly, white
20	5304504850	A B C	Grate, burner, black, LH
20B	5304504851	A B C	Grate, burner, black, RH
22	316261704	A B C	Cap, 5K burner, matte, black
22A	316261804	A B C	Cap, 9.5K burner, matte, black
22B	316262004	A B C	Cap, 14K burner, matte, black
22C	316262104	A B C	Cap, 17K burner, black
36	5304504838	A - -	Knob, burner, black
36	5304504839	- B -	Knob, burner, stainless
36	5304504840	- - C	Knob, burner, white
39 #	305574902	A B C	Power Cord, electrical, supply
39*	305452800	A B C	Screw, ground
46	5304498809	A B C	Burner Box
46*	305424100	A B C	Tape, aluminum
65	5303304032	A B C	Seal, rubber
88	5304498810	A B C	Gasket, main top
132	3201437	A B C	Strain relief
136	318264301	A B C	Support, box, (2)
137	305452400	A B C	Screw, lock bracket, (2)
*	305338601	A B C	Screw, (2)
*	5304472956	A B C	Screw, hex wash, 6-32 x .485
*	318163602	- B -	Cleaner, stainless steel

BURNER



BRFFGC3025QB0

BURNER

Model Index: A FFGC3026S (FFGC3026SBA)
 B FFGC3026S (FFGC3026SSA)
 C FFGC3026S (FFGC3026SWA)

POS. NO	PART NO.		DESCRIPTION
1 #	5304498785	A B C	Manifold
2 #	316536009	A B C	Valve-top burner, 5K
2A #	316536000	A B C	Valve-top burner, 9.5K
2B #	316536001	A B C	Valve, top burner, 1125 BTU, blue stem
2C #	316560902	A B C	Valve, top burner, clear stem, HC
3 #	305595106	A B C	Switch Assembly, ignitor, w/harness
4	5304472956	A B C	Screw, hex wash, 6-32 x .485
8 #	316135702	A B C	Module, spark
8* #	318199779	A B C	Wiring Harness, ignitor
10 #	316438200	A B C	Burner, sealed, 5K
10A#	316558300	A B C	Burner, sealed, 9.5K
10B#	316438600	A B C	Burner, sealed, 14K
10C#	316438400	A B C	Burner, sealed, 18.2K
11 #	5304498786	A B C	Ignitor/orifice assy., top burner, 5K
11A#	5304498787	A B C	Ignitor/orifice assy., top burner, 9.5K
11B#	5304498788	A B C	Ignitor/orifice assy., top burner, 12K
11C#	5304498815	A B C	Ignitor/orifice assy., top burner, 17K
12 #	5304498789	A B C	Tube, burner, LH front
12A#	5304498790	A B C	Tube, burner, LH rear
12B#	5304498791	A B C	Tube, burner, RH rear
12C#	5304498792	A B C	Tube, burner, RH front
13 #	5304498793	A B C	Tube, manifold supply
14 #	5304498794	A B C	Regulator, control
24	318054010	A B C	Elbow, fitting
35	807164301	A B C	Bushing, insulating
44 #	5304498795	A B C	Orifice, NG 5K
44A#	5304498796	A B C	Orifice, NG 9.5K
44B#	5304498797	A B C	Orifice, NG 12K
44C#	5304498816	A B C	Orifice, NG 17K
47 #	5304498817	A B C	LP Kit, gas conversion
72	316215600	A B C	Screw, valve mtg., 1/4 - 20
77	5304498799	A B C	Bracket, ignitor/orifice, mounting
77A	5304498800	A B C	Bracket, ignitor/orifice, 5K burner, mounting
*	305309701	A B C	Screw, phil, 4.2 x 6.5, (20)
*	305338602	A B C	Screw, (3)

WIRING DIAGRAM

