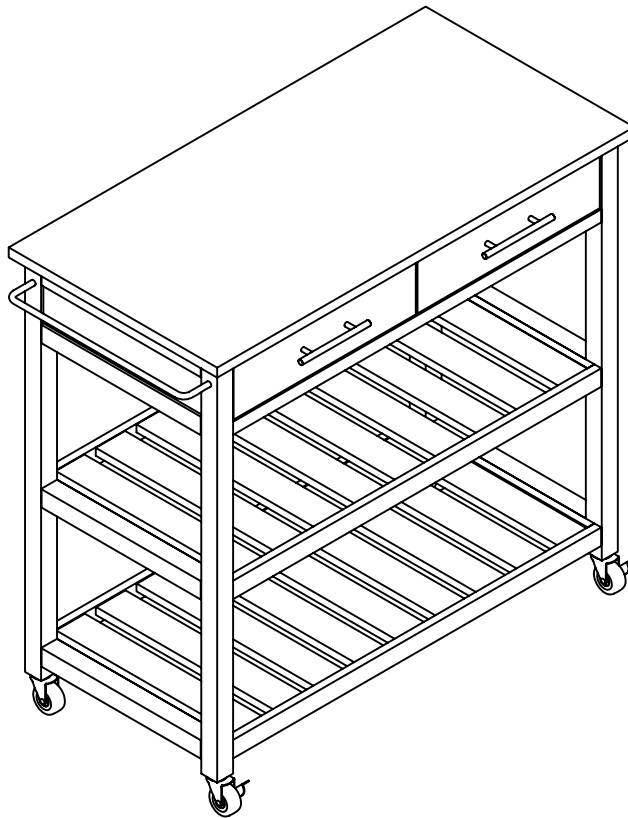


GLENNVILLE

Item # 1002945987
Model #SK17787Cr2-CBW
Item # 1002945990
Model #SK17787Cr2-CBB
Item # 1002945996
Model #SK17787Cr2-CBG

USE AND CARE GUIDE

DOUBLE KITCHEN CART



**Questions, problems, missing parts? Before returning
to the store, call Home Depot
Customer Service 1-800-466-3337
8 a.m. – 7 p.m., EST, Monday – Friday, 9 a.m. – 6 p.m., EST, Saturday**

HOMEDEPOT.COM

THANK YOU

We appreciate the trust and confidence you have placed in Home Depot through the purchase of this DOUBLE KITCHEN CART. We strive to continually create quality products designed to enhance your home. Visit us online to see our full line of products available for your home improvement needs. Thank you for choosing Home Decorators Collection!

Table of Contents

Table of Contents.....	2	Tools required.....	3
Safety Information.....	2	Hardware Included	3
Warranty.....	2	Package Contents.....	4
What is Covered	2	Installation	5
What is Not Covered.....	2	Operation.....	6
Pre-installation	3		
Planning Installation	3		

Safety Information

DANGER

- Keep small parts away from children during assembly
- Read and follow instructions carefully

WARNING

- Product not intended for use by children under 12.
- Do not exceed 10 pounds per drawer
- Do not exceed Unit maximum load of 50 pounds
- Do not step, stand, or climb on unit
- Always lock castors when unit is stationary
- Add child safety devices if small children live or frequently visit your home
- Open only one drawer or compartment at a time

CAUTION

- Place heavy objects on the lowest shelf.
- Push mobile units in long direct.
- Inspect castors regularly, if damaged or severely worn, replace castors.
- Units filled with more weight are harder to move and control.
- Electrical items cords should be removed from outlets and secured before moving your cart.
- Use caution when moving over surfaces with bumps, example, transitioning between different flooring surfaces.

Warranty

1 YEAR WARRANTY

WHAT IS COVERED

We warrant the Kitchen Cart to be free of manufacturing defects to the original purchaser for one year.

WHAT IS NOT COVERED

It remains the customer's responsibility for freight and packaging charges to and from our service center. This warranty does not cover commercial use, hardware, acts of nature, fire, freezing and abusive use. In addition, purchased parts are not covered under this warranty. We reserve the right to make substitutions with similar merchandise, if the model in question is no longer in production.

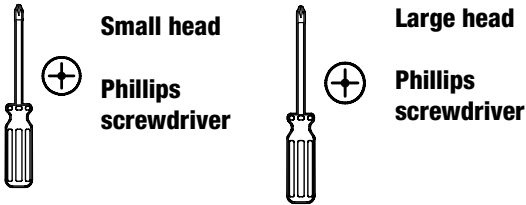
Contact the Customer Service Team at 1-800-466-3337 or visit www.HomeDepot.com.

Pre-installation

PLANNING INSTALLATION

Keep children and pets away from build area, make sure your area is large enough to unpack, sort and assemble the unit.

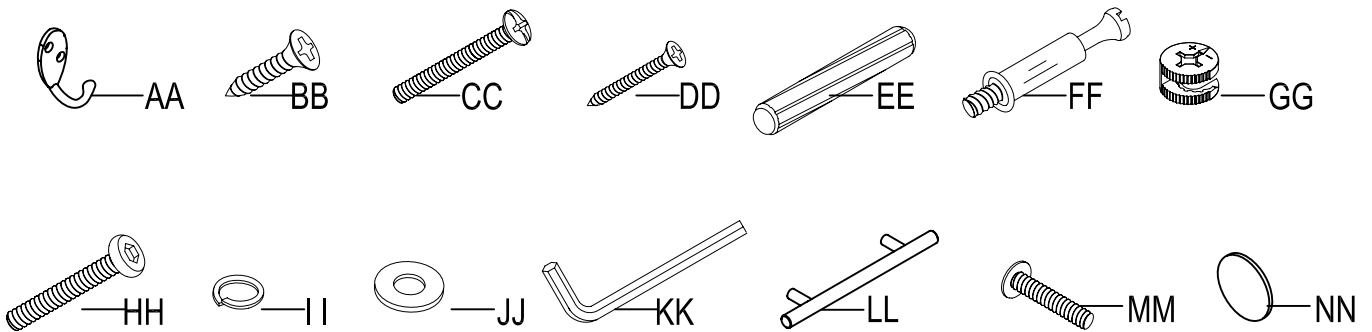
TOOLS REQUIRED



HARDWARE INCLUDED



NOTE: Hardware not shown to actual size.

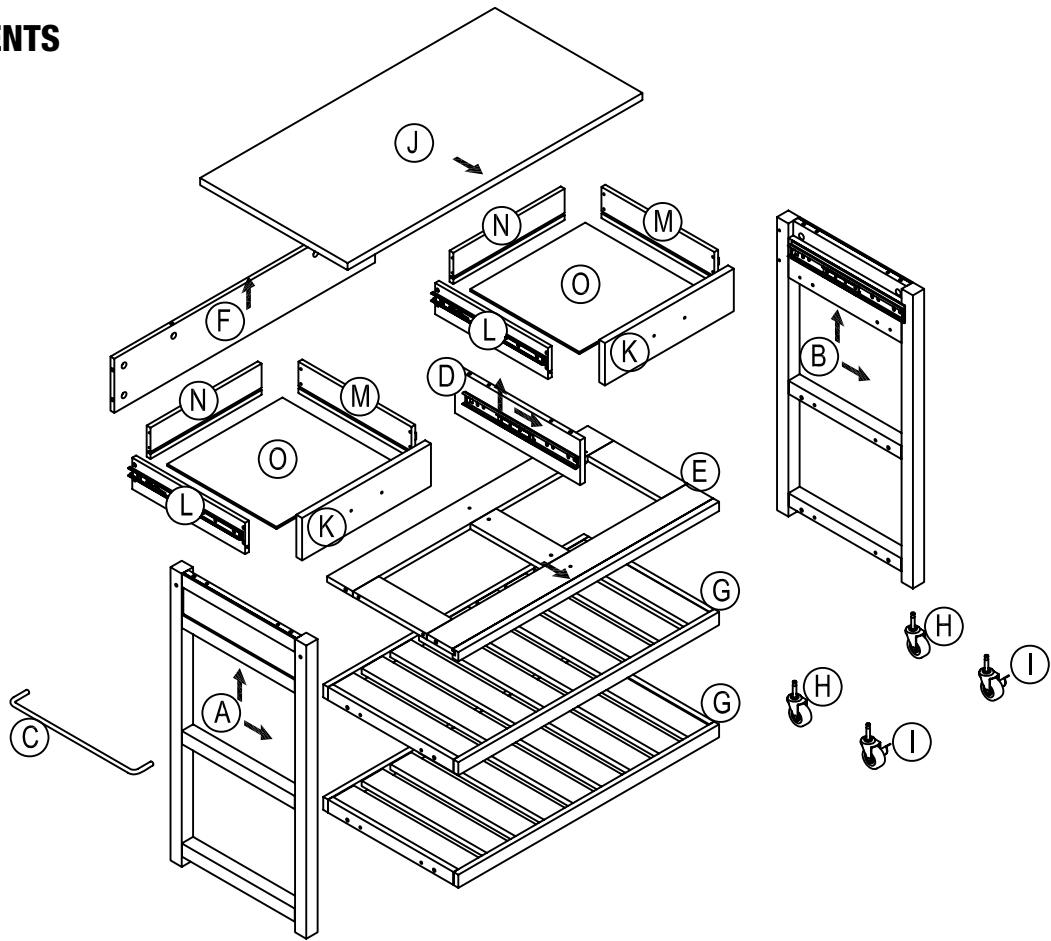


Part	Description	Quantity
AA	Single hook	2
BB	1/2 in. Flat head screw	4
CC	1-1/2 in. bolt	2
DD	1 in. Flat head screw	18
EE	Wood dowel	20
FF	Cam lock bolt	16
GG	Cam lock	16
HH	1-1/2 in Bolt	8

Part	Description	Quantity
II	Spring washer	8
JJ	Washer	8
KK	Allen wrench	1
LL	Handle	2
MM	Handle bolt	4
NN	PVC sticker	2

Pre-installation (continued)

PACKAGE CONTENTS

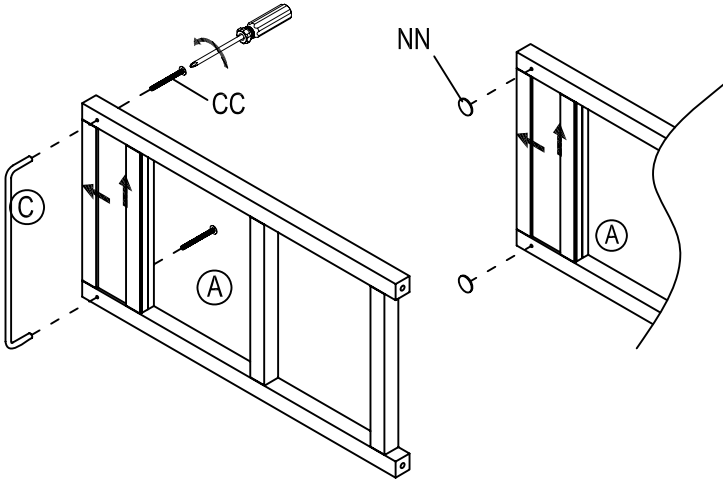


Part	Description	Quantity
A	Left side frame	1
B	Right side frame	1
C	Metal towel bar	1
D	Divider	1
E	Top fixed panel	1
F	Back panel	1
G	Bottom fixed panel	2
H	Universal wheel	2
I	Universal wheel with brake	2
J	Top panel	1
K	Drawer front panel	2
L	Drawer left side panel	2
M	Drawer right side panel	2
N	Drawer back panel	2
O	Drawer bottom panel	2

Installation

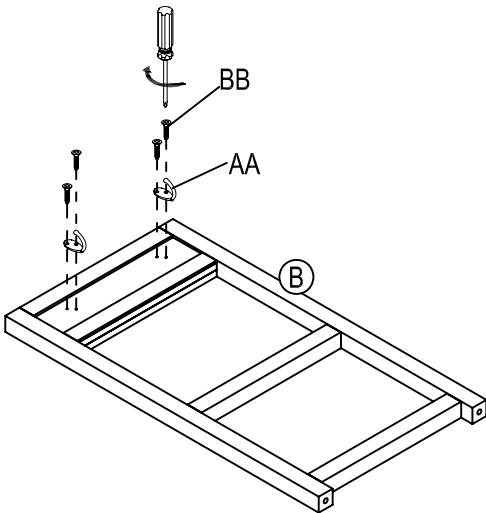
1 Attaching the metal towel bar and hook

- a) Attach bar (C) to frame (A) with the bolt (CC).

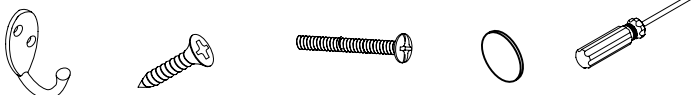


If you choose not to have the function of the towel bar, please use the **PVC sticker(NN)** provided in hardware pack to cover the hole.

- b) Attach hook (AA) to frame (B) with the screw (BB) as shown.

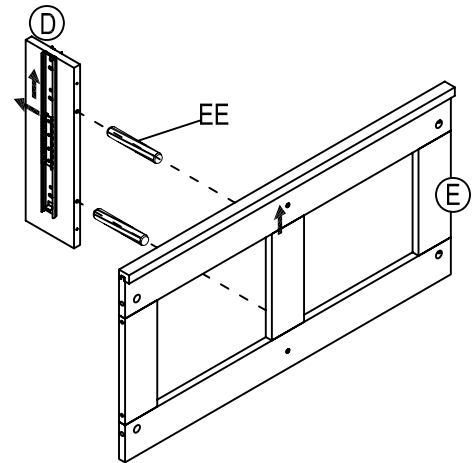


Single hook (AA) x 2 1/2 in. Flat head screw (BB) x 4 1-1/2 in. Bolt (CC) x 2 PVC sticker (NN) x 2 Small head

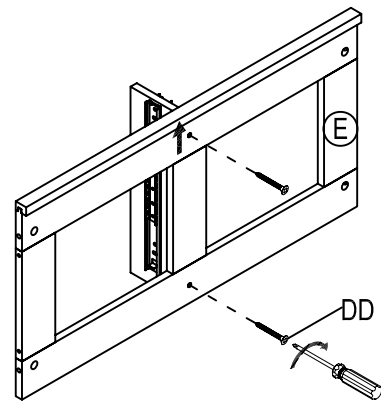


2 Attaching divider to top fixed panel

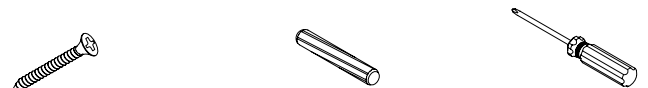
- a) Join divider (D) to panel (E) with dowel (EE) first.



- b) Tighten panel (E) with screw (DD) as shown.



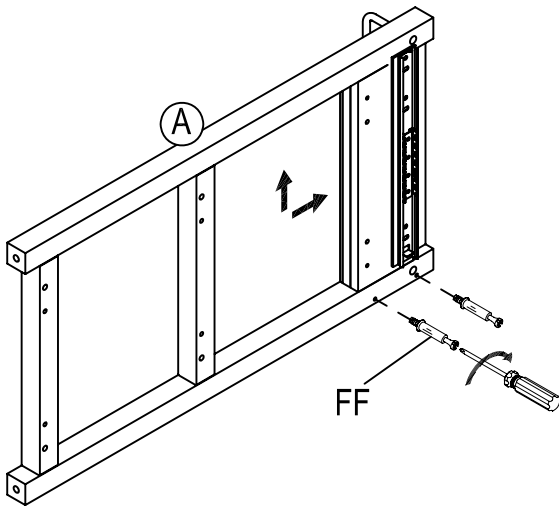
1 in. Flat head screw (DD) x 2 Wood dowel (EE) x 2 Small head



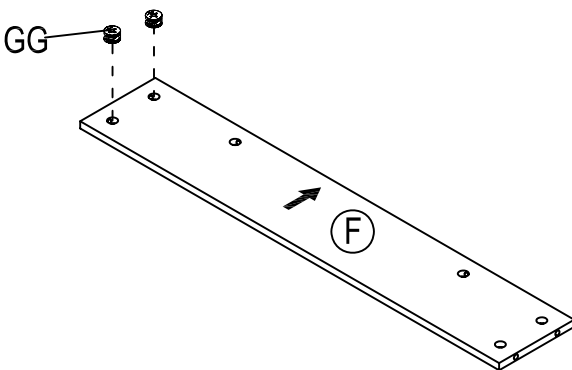
Operation

3 Attaching the back panel to the left side frame

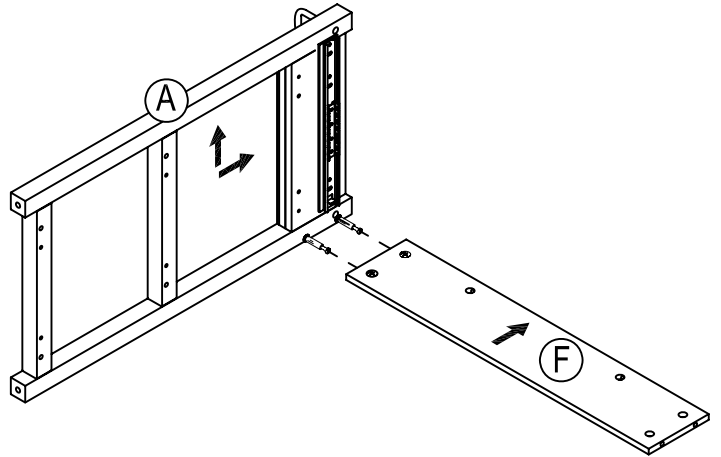
- a) Install bolt (FF) into frame (A).



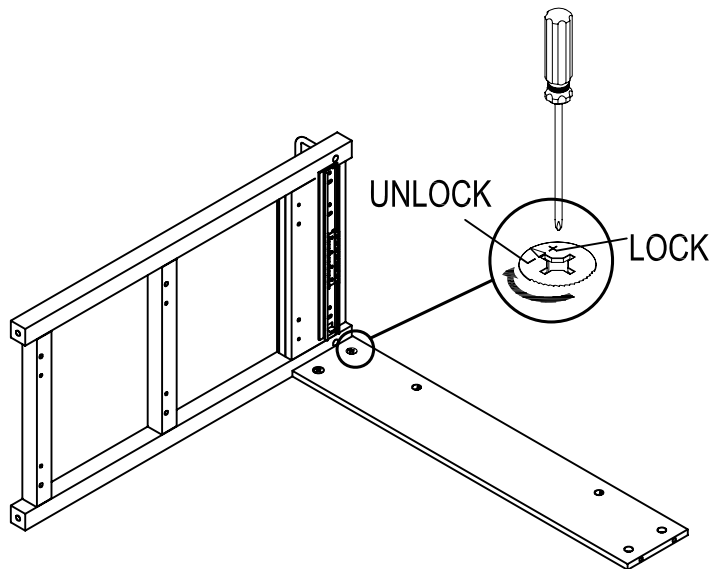
- b) Insert lock (GG) into panel (F).



- c) Join panel (F) to frame (A) with bolt (FF).



- d) Tighten bolt (FF) with lock (GG) in the pre-drilled holes.



Cam lock bolt

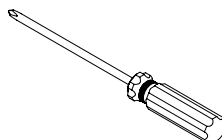
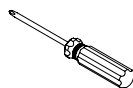
Cam lock

Small head

Large head

(FF) x 2

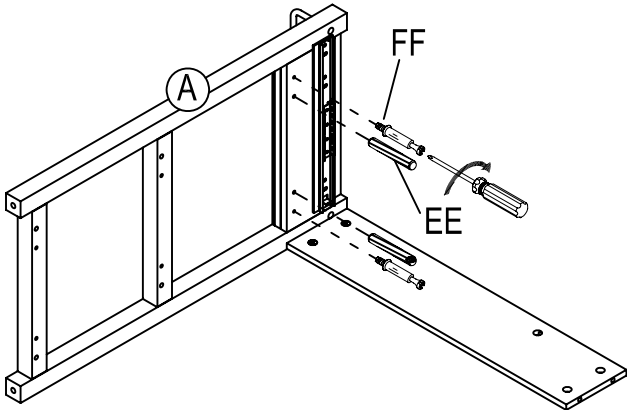
(GG) x 2



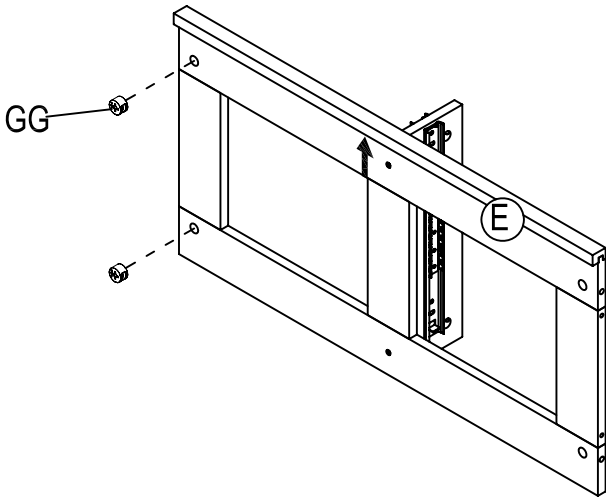
Operation

4 Attaching the top fixed panel

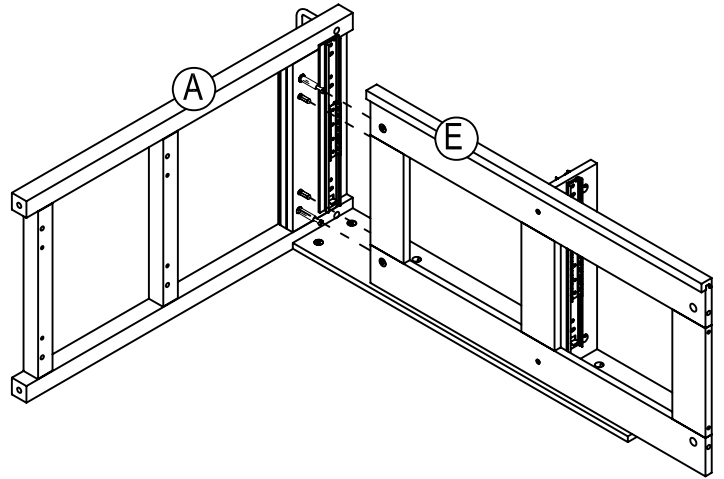
- **a)** Install dowel (EE) and bolt (FF) into frame (A).



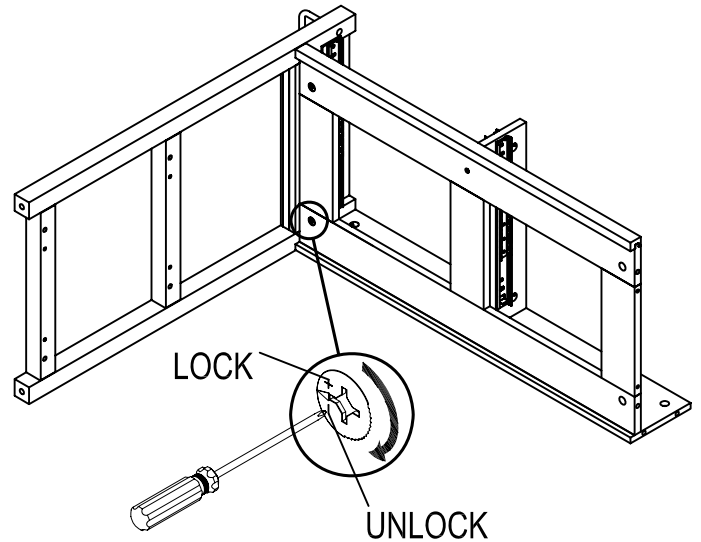
- **b)** Insert lock (GG) into panel (E).



- **c)** Join panel (E) to frame (A) with dowel (EE) first.



- **d)** Tighten bolt (FF) with lock (GG) in the pre-drilled holes.



Wood dowel

Cam lock bolt

Cam lock

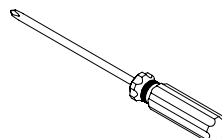
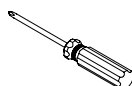
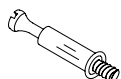
Small head

Large head

(EE) x 2

(FF) x 2

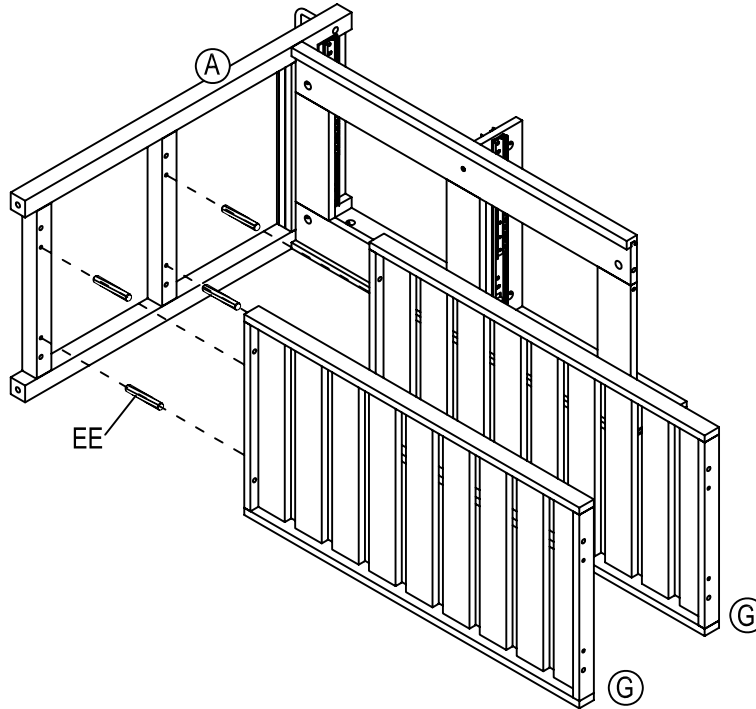
(GG) x 2



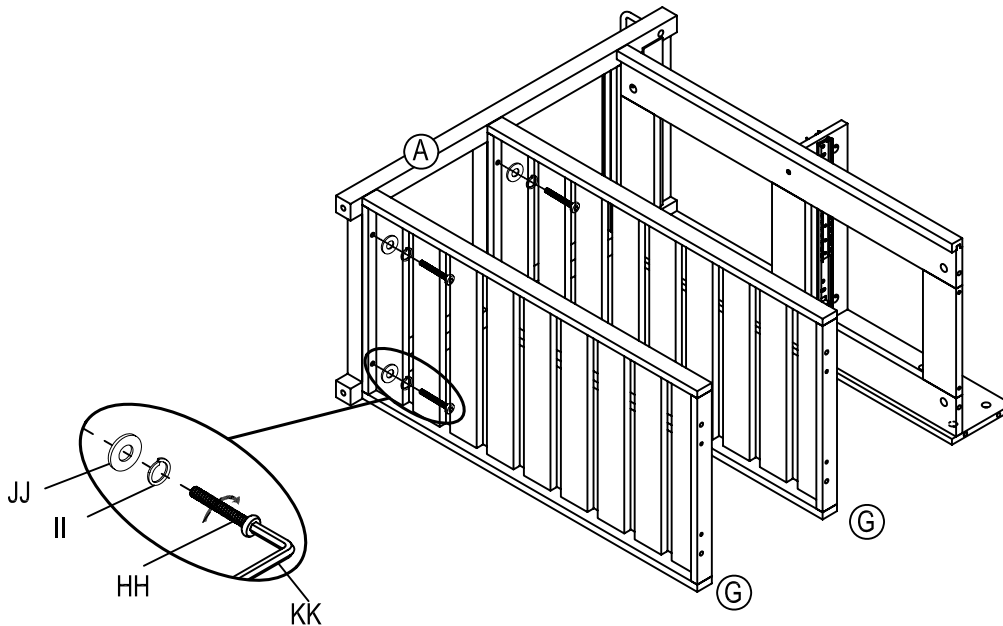
Operation






5 Attaching the bottom fixed panels

- **a)** Join two panels (G) to frame (A) with dowel (EE) first.



- **b)** Install washer (JJ), washer (II) and bolt (HH) in turn as shown, tighten bolt (HH) with wrench (KK).

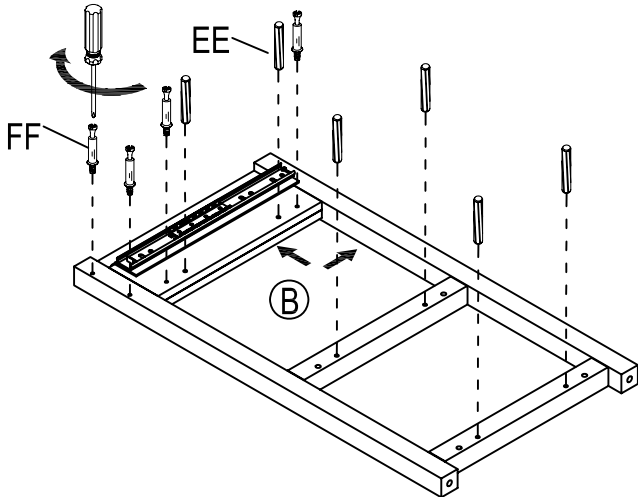


Wood dowel	1-1/2 in. Bolt	Spring washer	Washer	Allen wrench
(EE) x 4	(HH) x 4	(II) x 4	(JJ) x 4	(KK) x 1
				

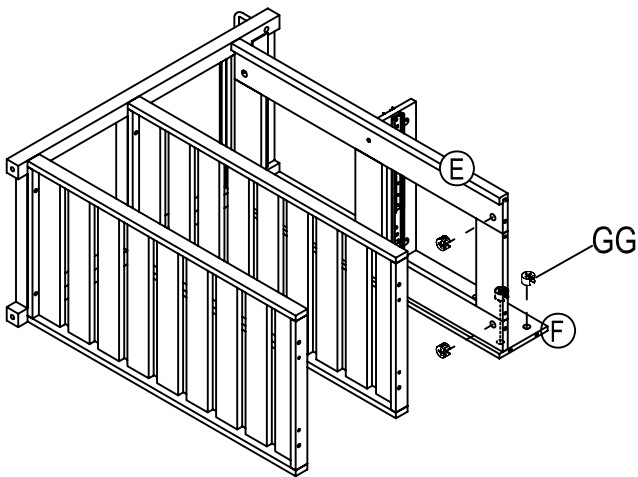
Operation

6 Attaching the right side frame

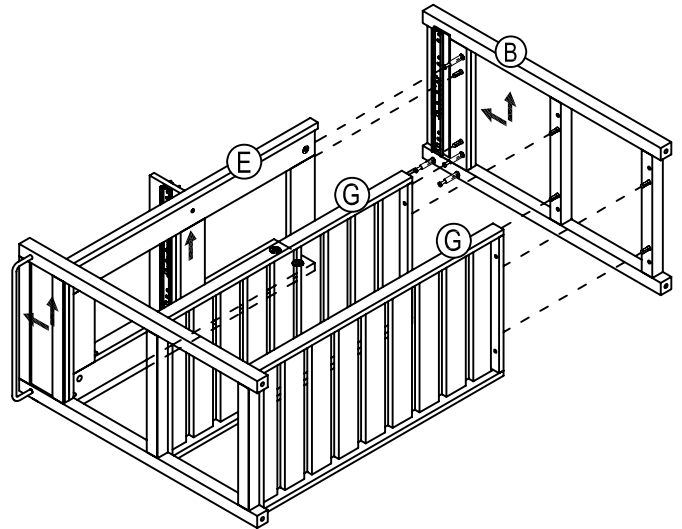
- **a) Install dowel (EE) and bolt (FF) into frame (B).**



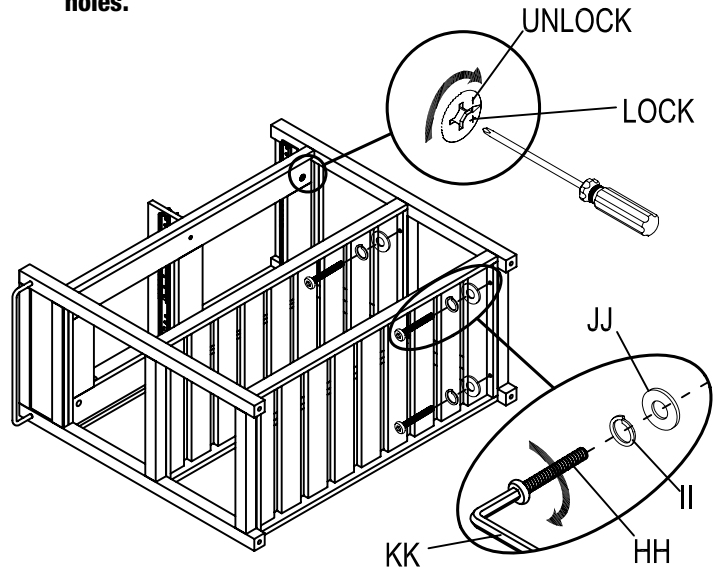
- **b) Insert lock (GG) into panel (E) and (F).**



- **c) Join frame (B) to the assembled body with dowel (EE).**



- **d) Tighten bolt (FF) with lock (GG) in the pre-drilled holes.**



- **e) Install washer (JJ), washer (II) and bolt (HH) in turn as shown, tighten the bolt (HH) with wrench (KK).**

Wood dowel Cam lock bolt Cam lock 1-1/2 in. Bolt Spring washer Washer Allen wrench Small head Large head

(EE) x 6

(FF) x 4

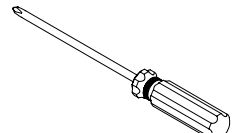
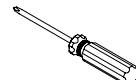
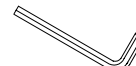
(GG) x 4

(HH) x 4

(II) x 4

(JJ) x 4

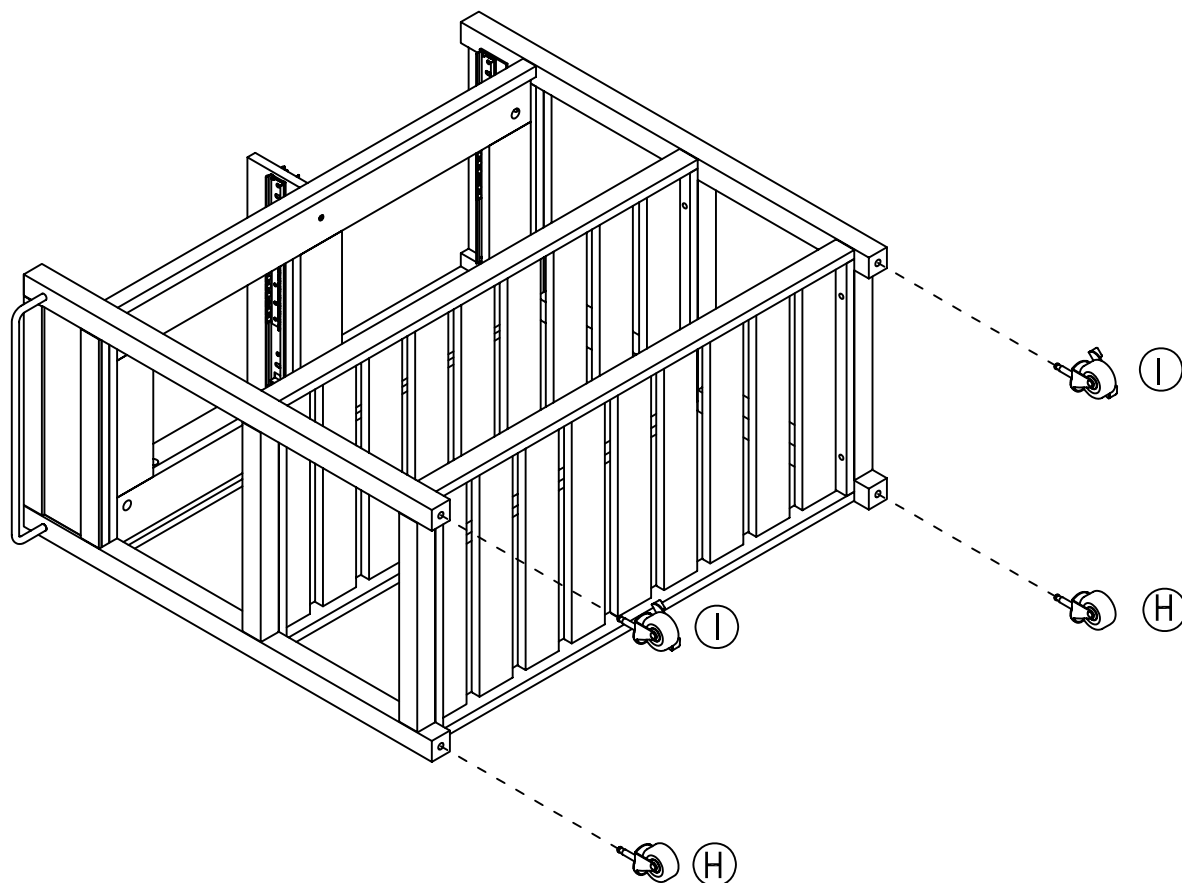
(KK) x 1



Operation

7 Attaching the universal wheel

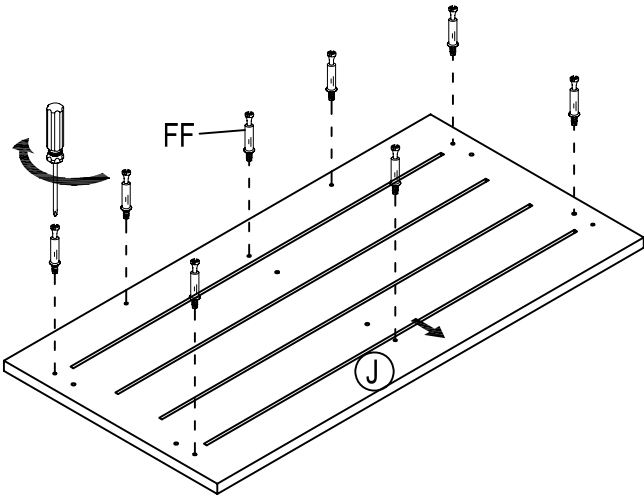
- Insert wheel (H) and (I) into frame (A) and (B) as shown.



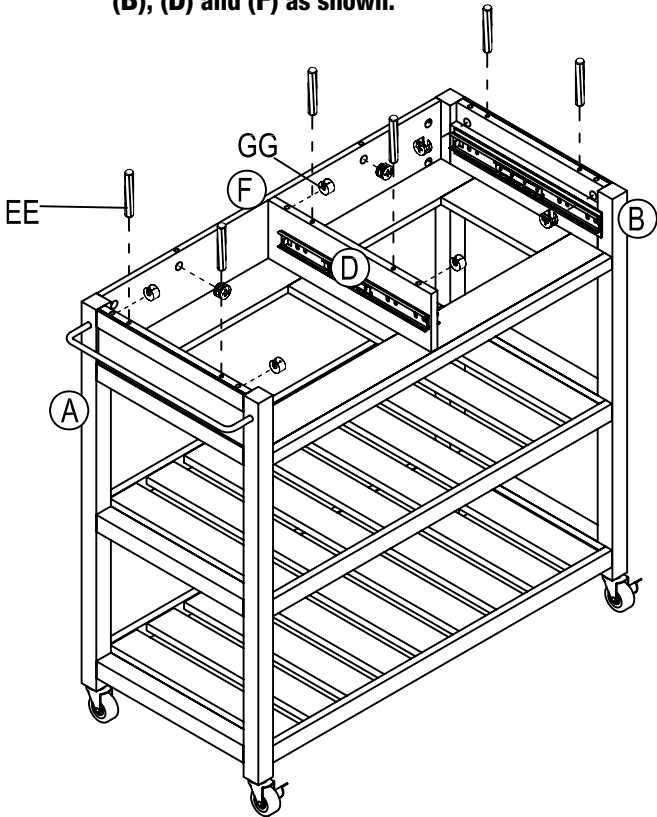
Operation

8 Attaching the top panel

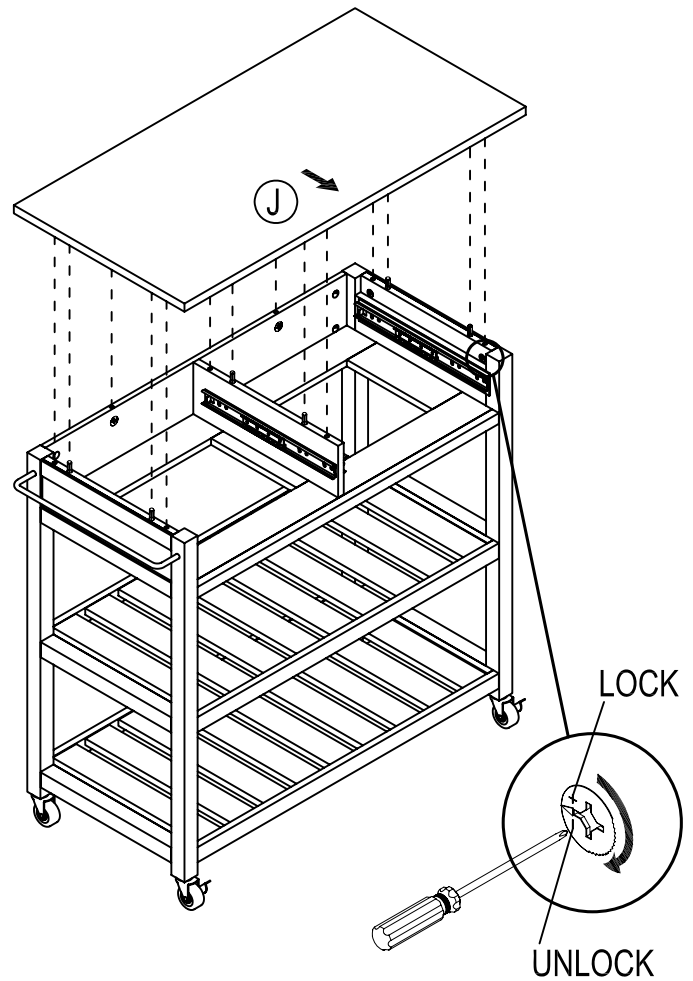
- **a)** Install bolt (FF) into panel (J).



- **b)** Insert lock (GG) and dowel (EE) into panel (A), (B), (D) and (F) as shown.



- **c)** Join panel (J) to the assembled body with dowel (EE) first.



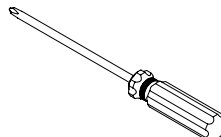
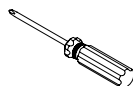
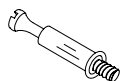
- **d)** Tighten bolt (FF) with lock (GG) in the pre-drilled holes.

Wood dowel Cam lock bolt Cam lock Small head Large head

(EE) x 6

(FF) x 8

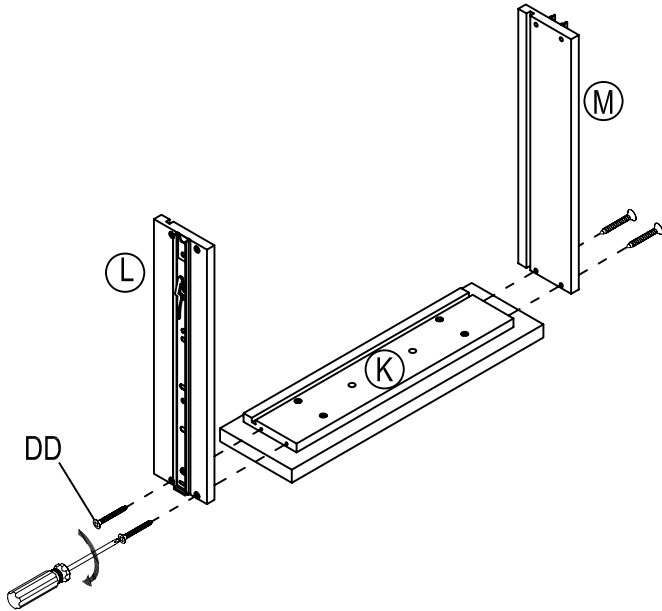
(GG) x 8



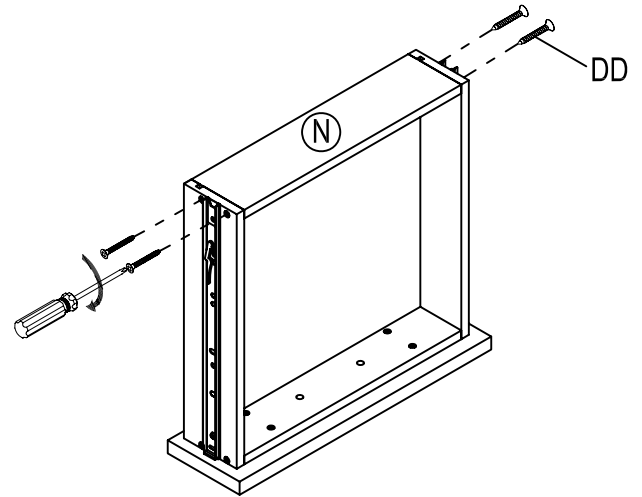
Operation

9 Assembling the drawer

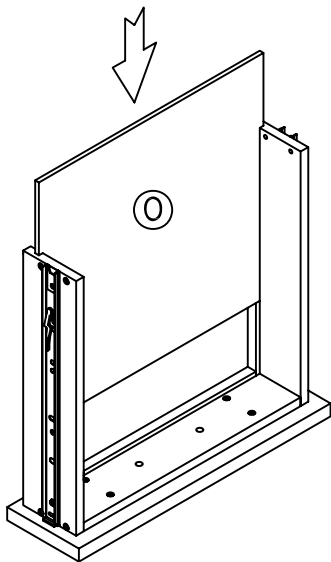
□ **a)** Tighten panel (L) and (M) to panel (K) with screw (DD).



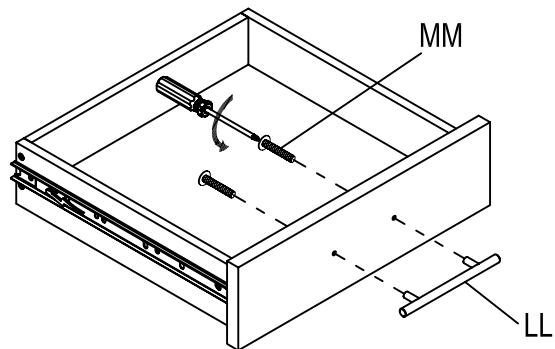
□ **c)** Tighten panel (N) to the assembled body with screw (DD).



□ **b)** Slide panel (O) into the grooves on panel (L) and (M).



□ **d)** Tighten handle (LL) to panel (K) with bolt (MM).



1 in. Flat head screw

Handle

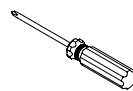
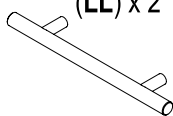
Handle bolt

Small head

(DD) x 16

(LL) x 2

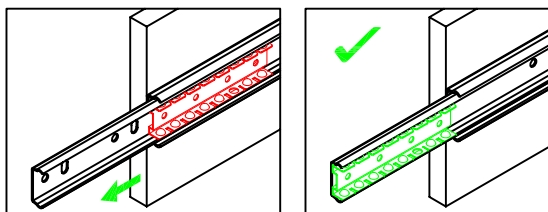
(MM) x 4



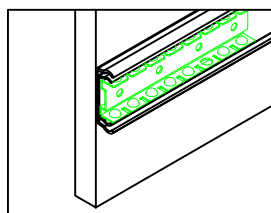
Operation

10 Finalizing the assembly

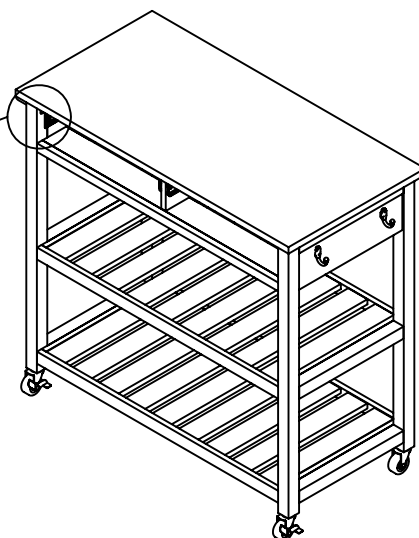
- Insert the two drawers into the assembled body as shown.



1. Pull out slide. Slide bearings forward.

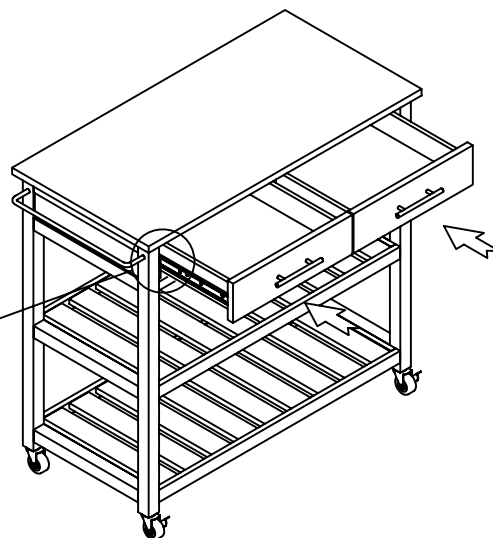
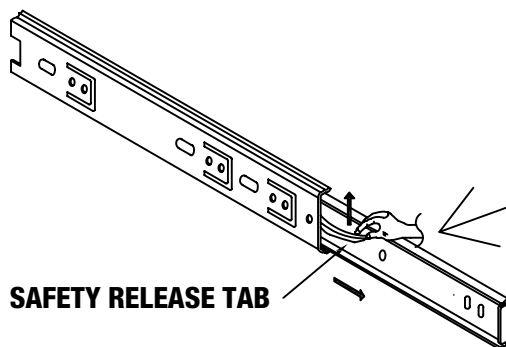


2. Push slide back inside.
Repeat for every slide!



CAUTION

Make sure the slide piece is at the front end of the glide when installing the drawer into the body.



CAUTION

When removing the drawer, tip-up the safety release tab to remove the drawer from the body.

**Questions, problems, missing parts? Before returning
to the store, call Home Depot
Customer Service 1-800-466-3337
8 a.m. – 7 p.m., EST, Monday – Friday, 9 a.m. – 6 p.m., EST, Saturday**

HOMEDEPOT.COM

Retain this manual for future use.