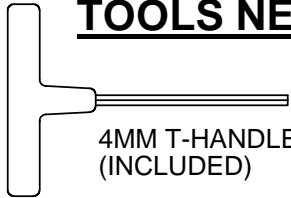


Assembly Instructions

Model: IVA22

- (1) Seat
- (1) Back
- (2) Front legs
- (2) Arms
- (1) Hardware pack

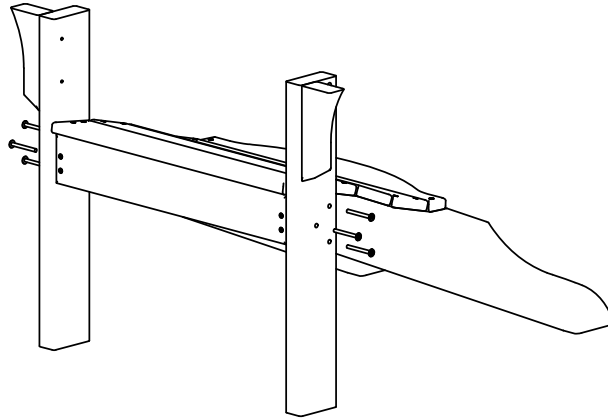
TOOLS NEEDED



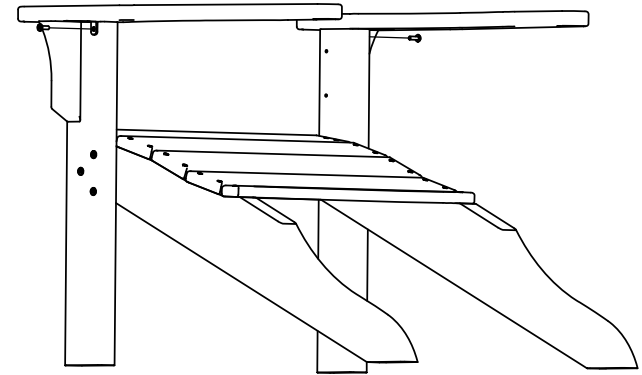
4MM T-HANDLE HEX KEY
(INCLUDED)

Phillips head screwdriver
Screw gun recommended

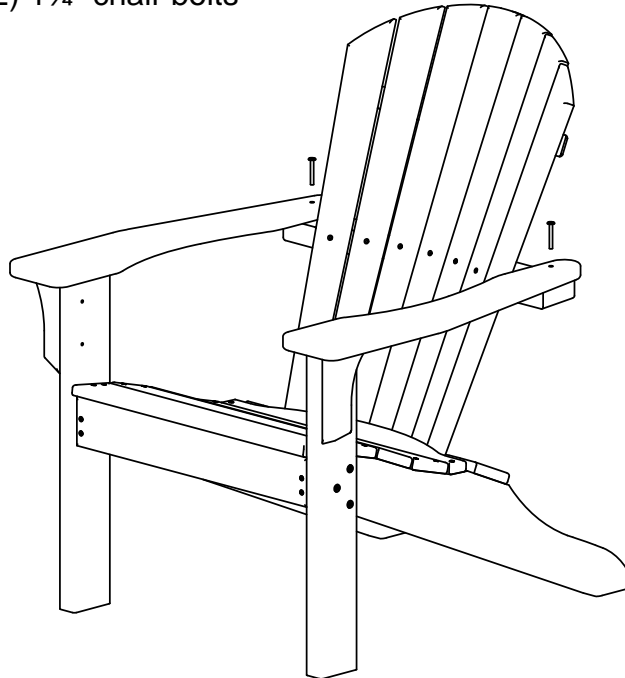
Step 1
Attach front legs to seat using
(6) 2 1/4" chair bolts



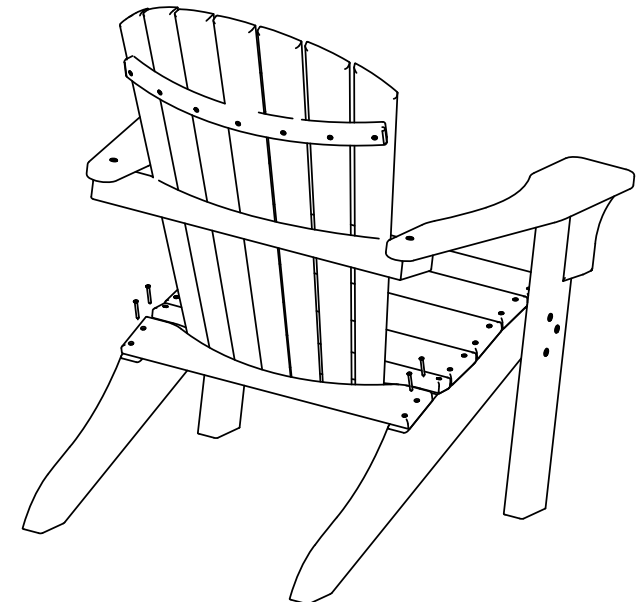
Step 2
Attach arms to front legs using
(2) 3/4" chair bolts



Step 3
Attach arms to back using
(2) 1 3/4" chair bolts



Step 4
Attach back to seat using
(4) 1 1/2" screws



Qty.	Description
4	A - 8 X 1-1/2 PHIL FLAT SCREW
2	B - 1/4-20 X 3/4 WAFER SHCS
2	C - 1/4-20 X 1-3/4 WAFER SHCS
6	D - 1/4-20 X 2-1/4 WAFER SHCS

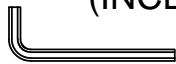
Ivy Terrace™

Models: IVRCT236, IVRBT236

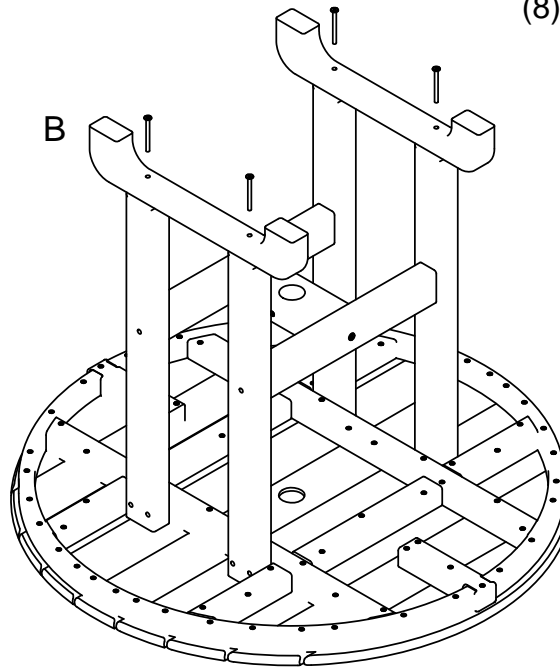
- (1) Table top
- (4) Leg
- (2) Foot
- (2) Brace
- (1) Umbrella Brace
- (1) Hardware pack

TOOLS NEEDED

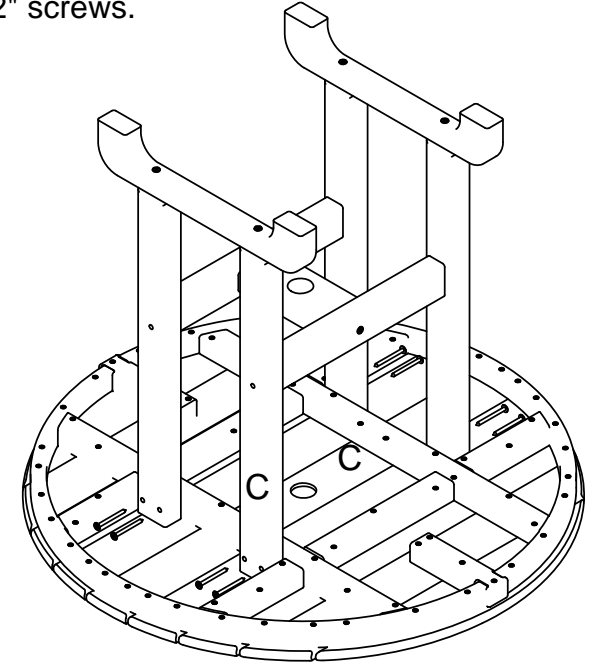
4mm HEX KEY, ALLEN
(INCLUDED)



Step 1
Attach feet to legs using
(4) 2 1/2" Chair bolts (*fine thread*)



Step 2
Lay the table top on a flat surface.
Attach the leg assemblies to the table top using
(8) 2 1/2" screws.



Step 3
Attach leg braces using
(4) 3" screws

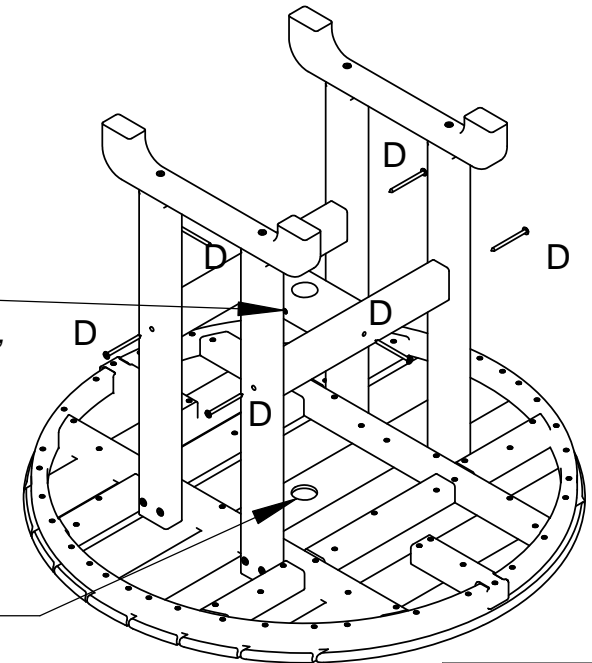
Attach umbrella brace to
the leg braces using (2) 3" screws.

Install 1 1/2" bolt into threaded insert on
the umbrella brace.

**Please note: umbrella support optional,
can be removed if necessary to fit
umbrella stand*

Step 4
Set table upright and tighten all bolts

Removable table plug
included in table.



Qty. Description

1	A - 1/4-20 X 1-1/2 WAFER SHCS FINE THREAD
4	B - 1/4-20 X 2-1/2 WAFER SHCS FINE THREAD
8	C - .27 X 2-1/2 WAFER SOCKET "A"
6	D - .27 X 3 WAFER SOCKET "A"