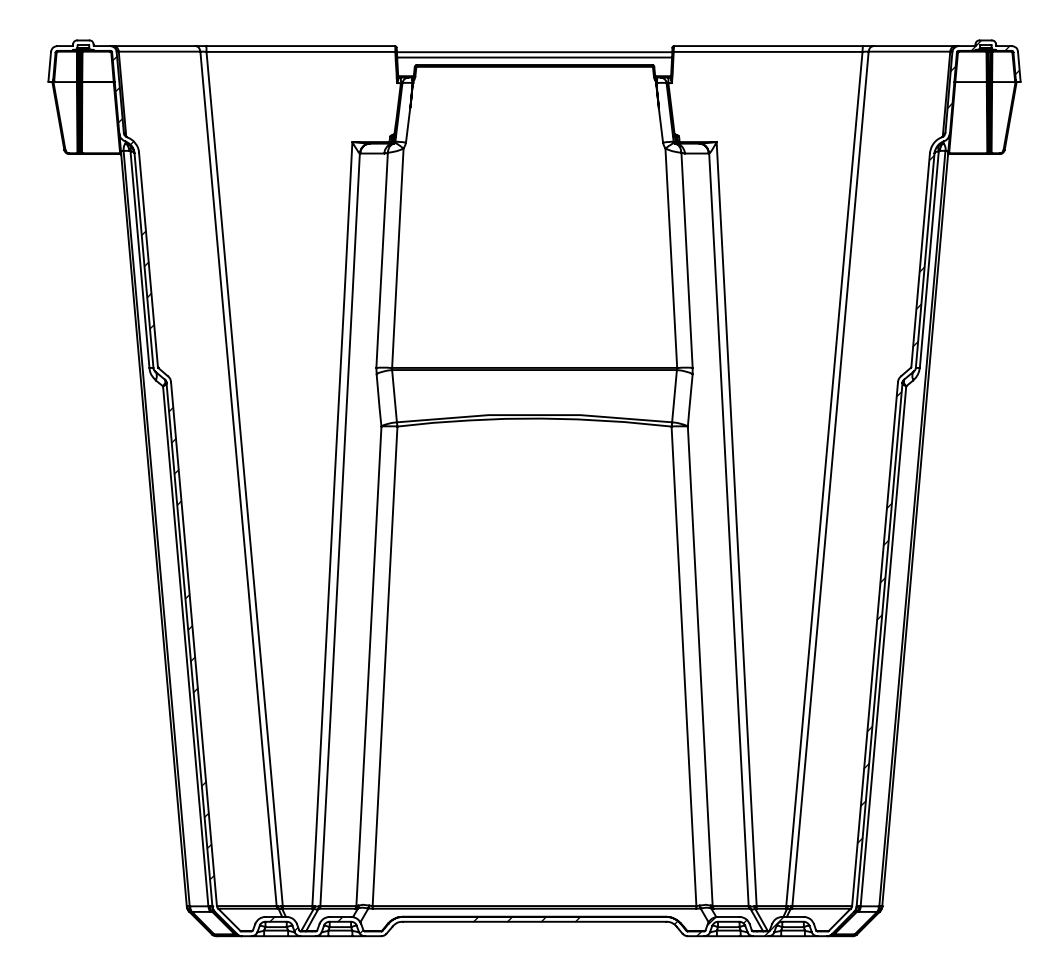
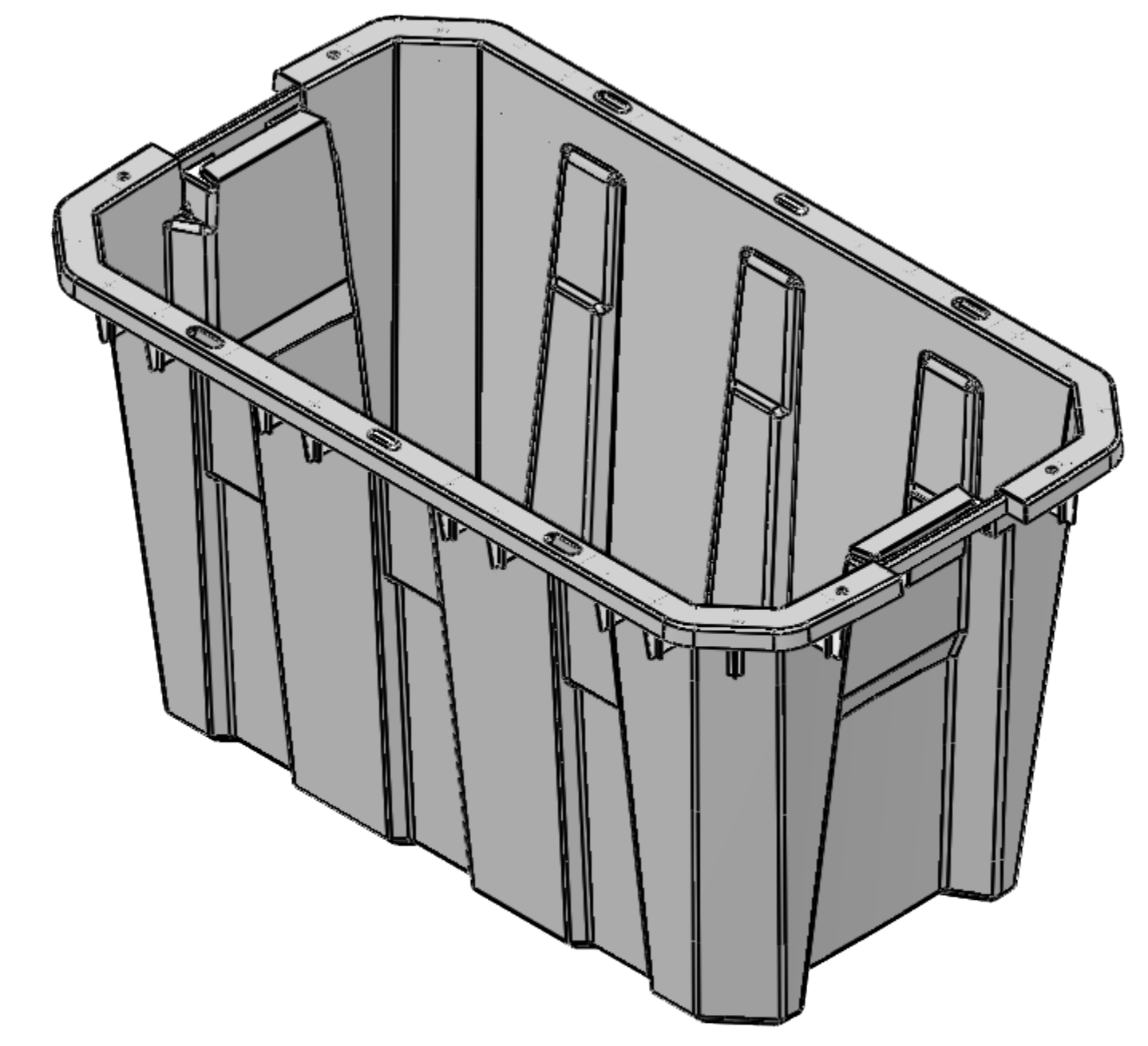
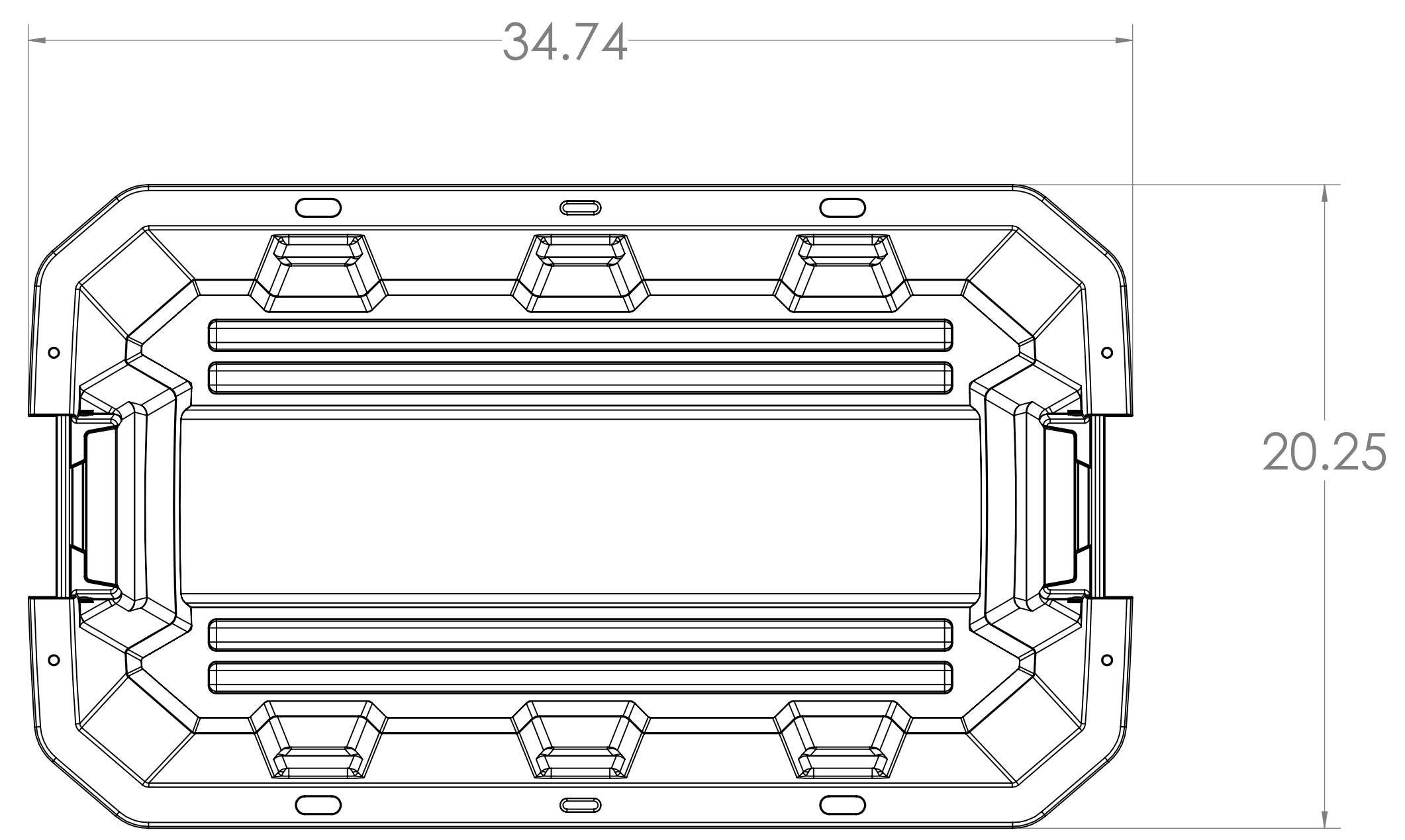
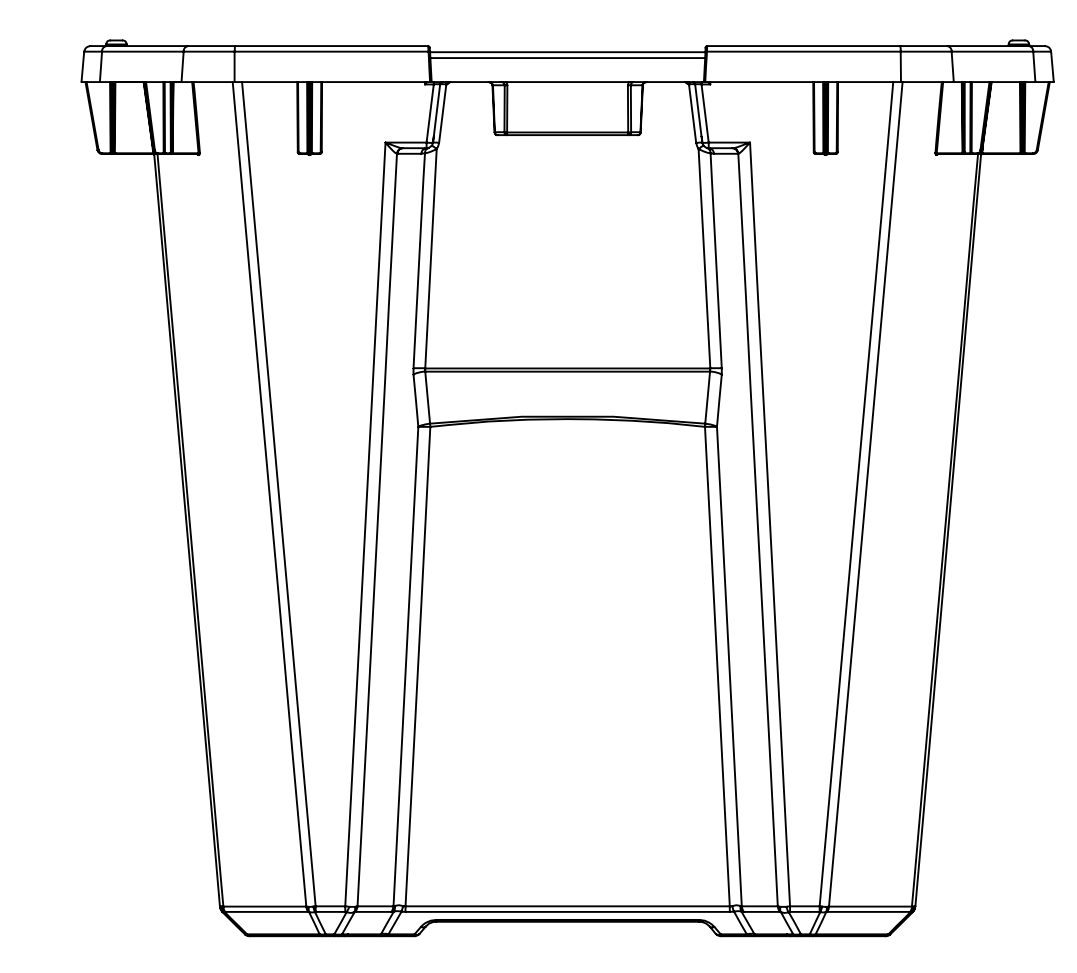
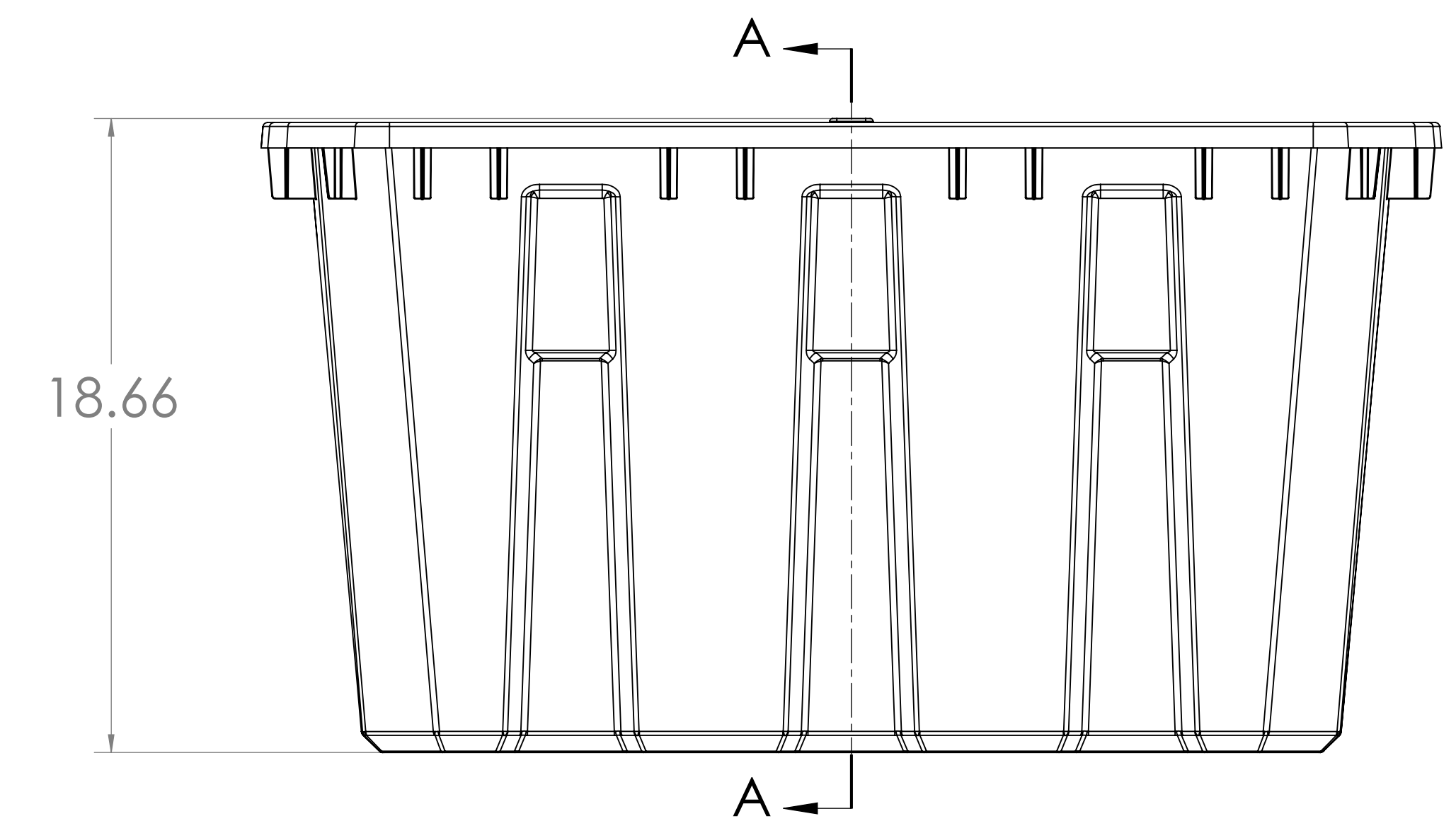


REVISIONS				
ZONE	REV.	DESCRIPTION	DATE	APPROVED



SECTION A-A
SCALE 1 : 4



Bin Holding Volume: 34.94 Gallons

PROPRIETARY AND CONFIDENTIAL
THE INFORMATION CONTAINED IN THIS DRAWING IS THE SOLE PROPERTY OF CREATIVE PLASTICS CONCEPTS. ANY REPRODUCTION IN PART OR AS A WHOLE WITHOUT THE WRITTEN PERMISSION OF CREATIVE PLASTICS CONCEPTS IS PROHIBITED.

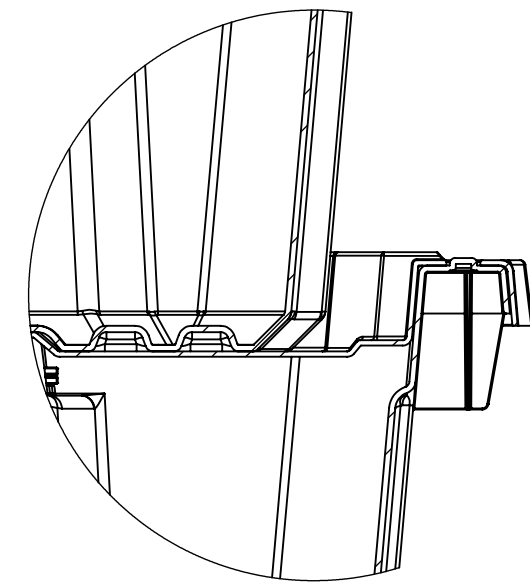
UNLESS OTHERWISE SPECIFIED:	DRAWN	NAME	DATE
TOLERANCES:	CHECKED		
FRACTIONAL ±	ENG APPR.		
ANGULAR MATCH ±	MFG APPR.		
TWO PLACE DECIMAL ±			
THREE PLACE DECIMAL ±			
INTERPRET GEOMETRIC TOLERANCING PER:	Q.A.		
MATERIAL	COMMENTS:		
PP Homopolymer			
FINISH			
APPLICATION			

ITEM NO.	DESCRIPTION	QTY.
1	35 Gallon Bin	1

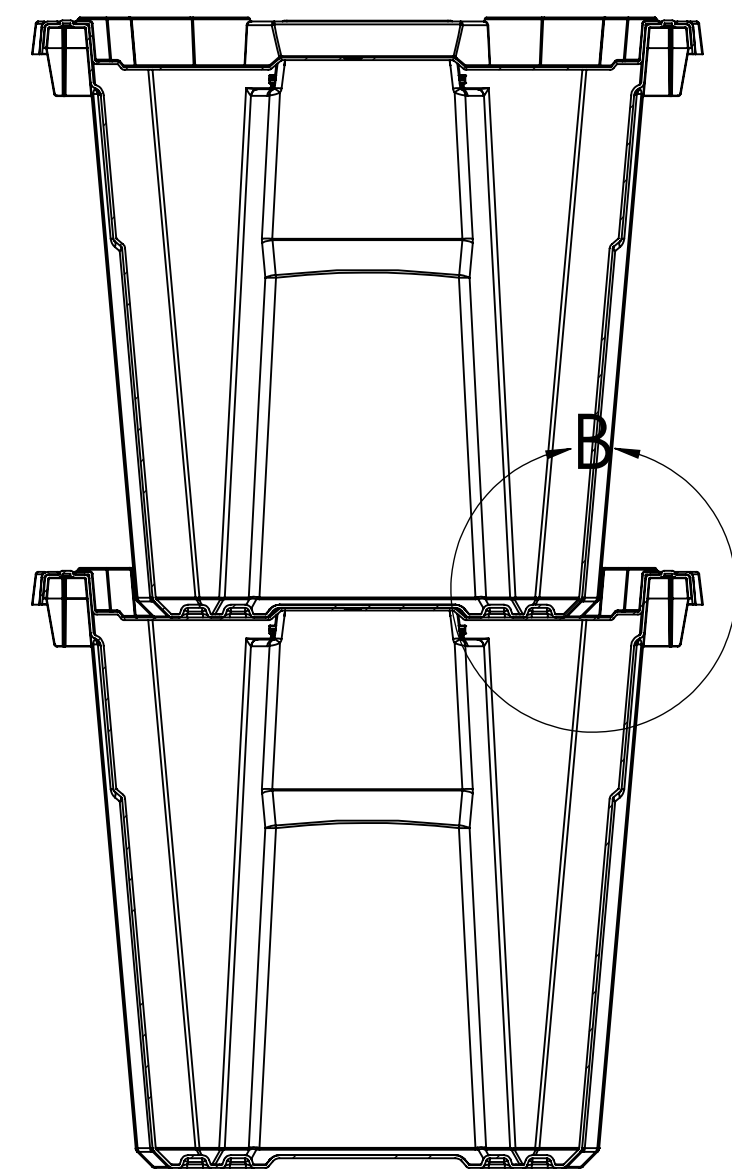
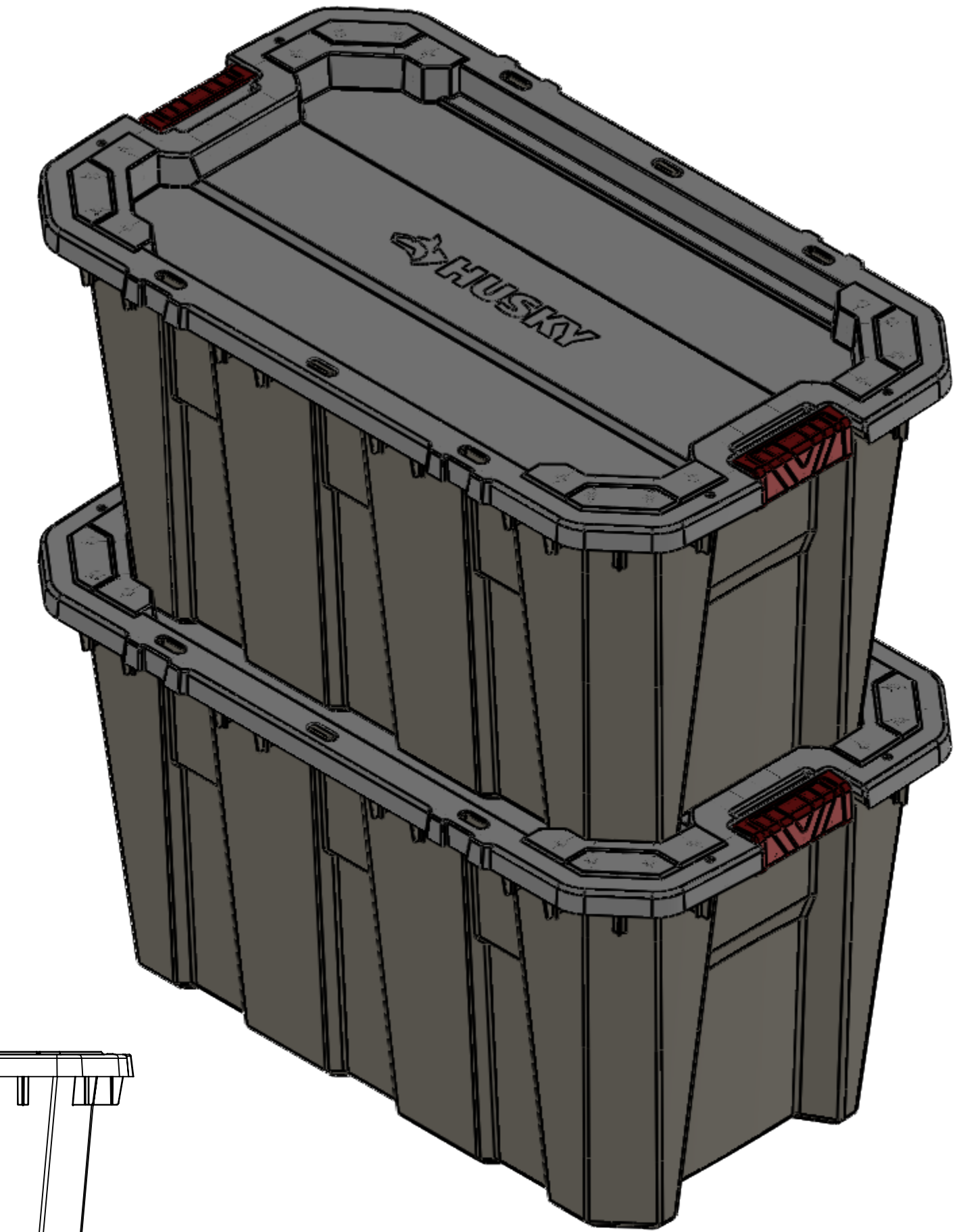
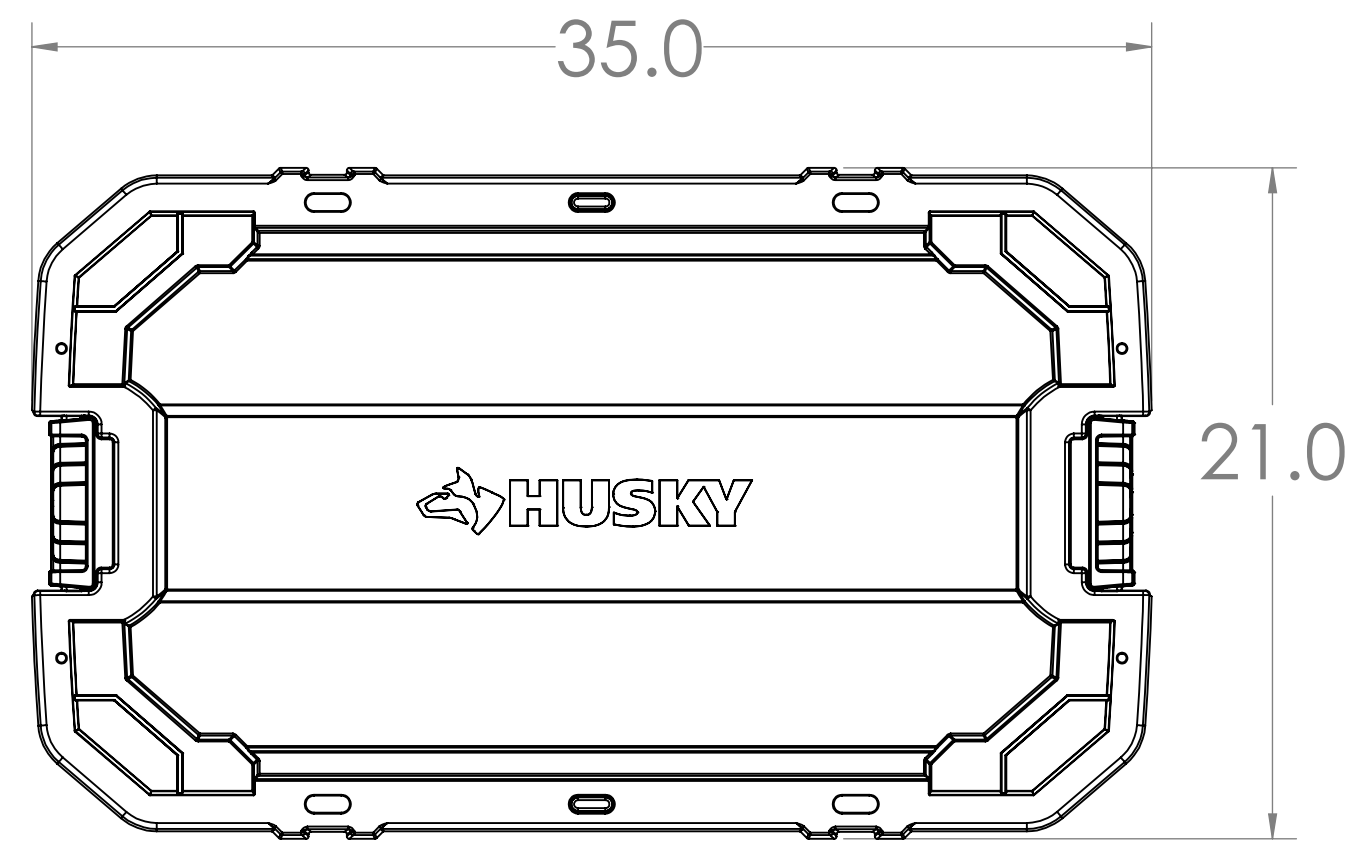
TITLE: 35 Gallon Bin	
SIZE DWG. NO.	REV
D 7814_35 Gallon Bin_Home Depot	
SCALE: 1:8	WEIGHT:
	SHEET 1 OF 1

7814_35 Gallon Bin_Home Depot

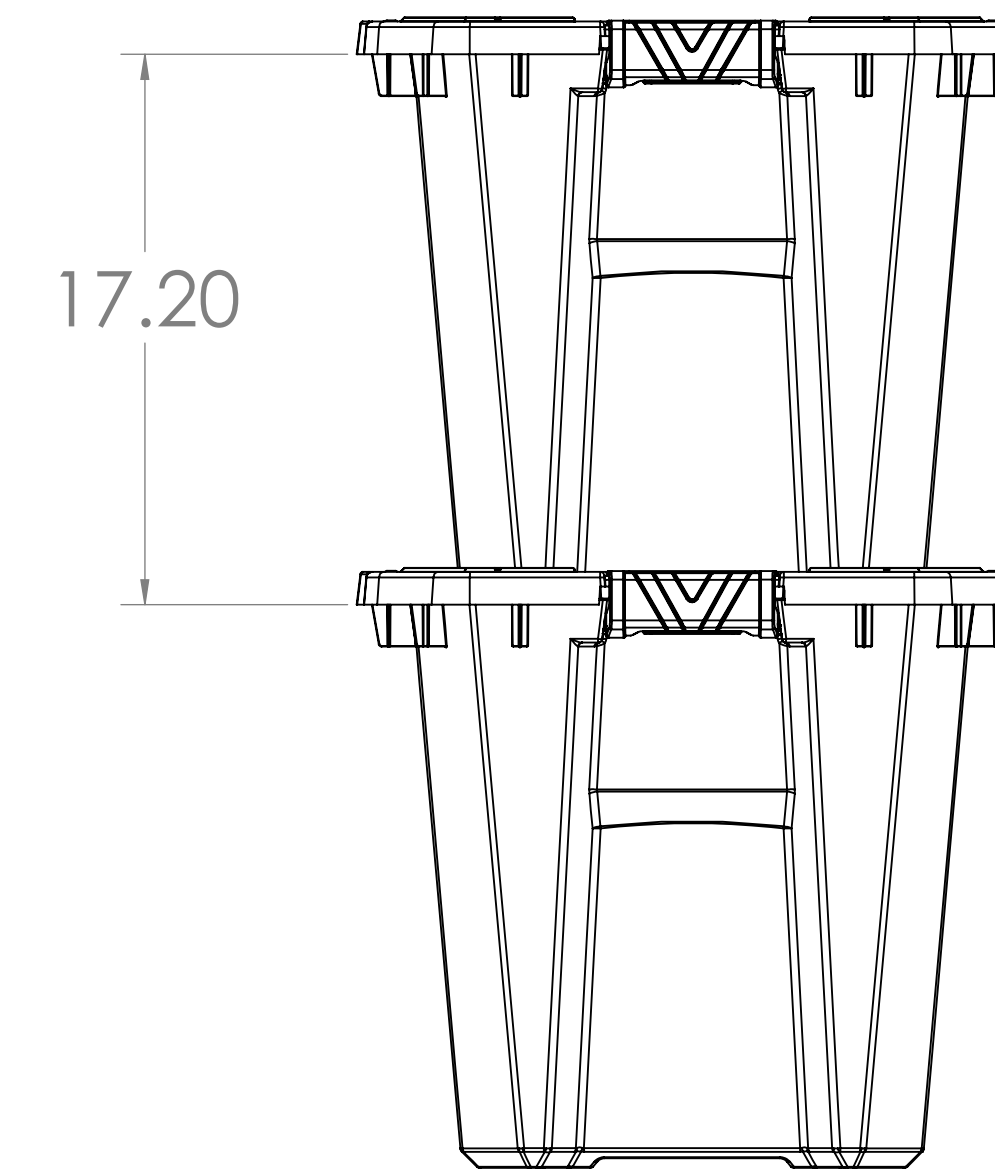
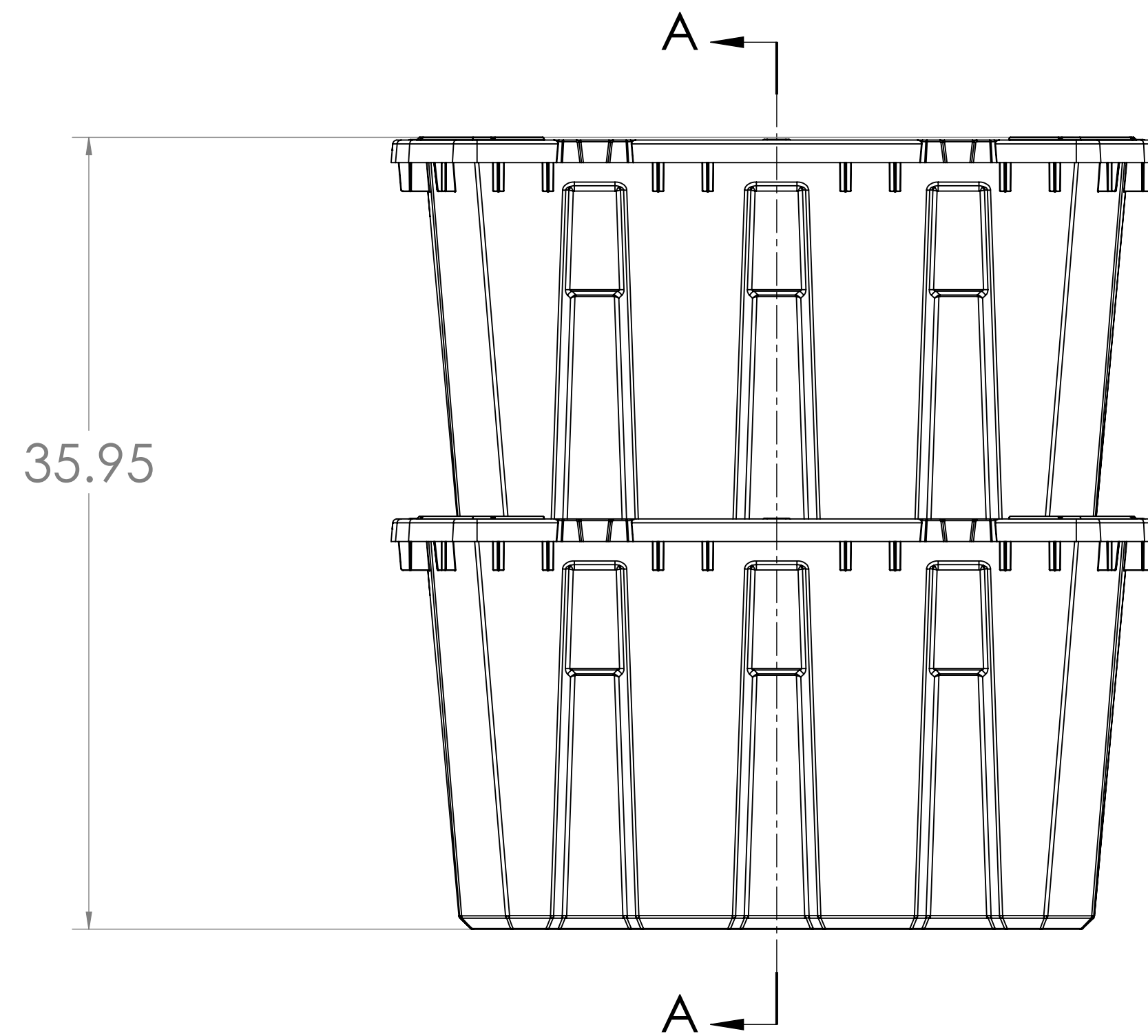
REVISIONS				
ZONE	REV.	DESCRIPTION	DATE	APPROVED



DETAIL B
SCALE 1 : 3



SECTION A-A
SCALE 1 : 6



ITEM NO.	DESCRIPTION	QTY.
1	35 Gallon Bin	2
2	35 Gallon Lid	2
3	Latch Handle	4

UNLESS OTHERWISE SPECIFIED:	NAME	DATE
DIMENSIONS ARE IN INCHES		
TOLERANCES:		
FRACTIONAL ±	DRAWN	
ANGULAR MATCH ±	CHECKED	
TWO PLACE DECIMAL ±	ENG APPR.	
THREE PLACE DECIMAL ±	MFG APPR.	
INTERPRET GEOMETRIC TOLERANCING PER:	Q.A.	
MATERIAL	COMMENTS:	
PP Homopolymer		
FINISH		
APPLICATION		

PROPRIETARY AND CONFIDENTIAL
THE INFORMATION CONTAINED IN THIS DRAWING IS THE SOLE PROPERTY OF CREATIVE PLASTICS CONCEPTS. ANY REPRODUCTION IN PART OR AS A WHOLE WITHOUT THE WRITTEN PERMISSION OF CREATIVE PLASTICS CONCEPTS IS PROHIBITED.

CREATIVE PLASTIC
C.O.C.P.C.
TITLE:
35 Gallon Bin and Lid Assembly Stacked
SIZE DWG. NO. REV
D 7814_35 Gallon Bin and Lid Stacking Assembly_2 Stacked Assemblies_Home Depot
SCALE: 1:8 WEIGHT: SHEET 1 OF 1

7814_35 Gallon Bin and Lid Stacking Assembly_2 Stacked Assemblies_Home Depot