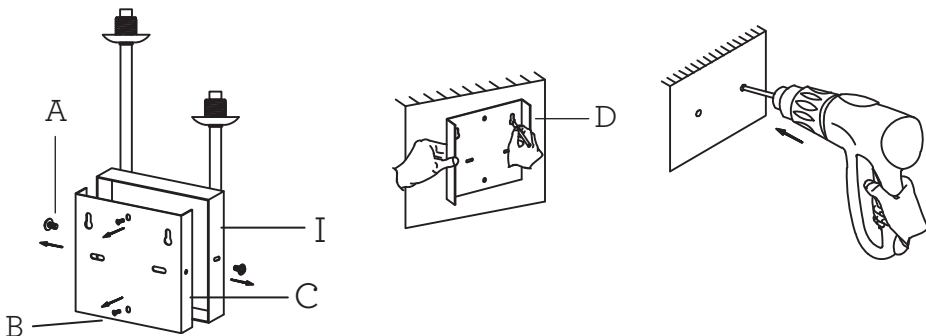


# Asbury Wall Lamp

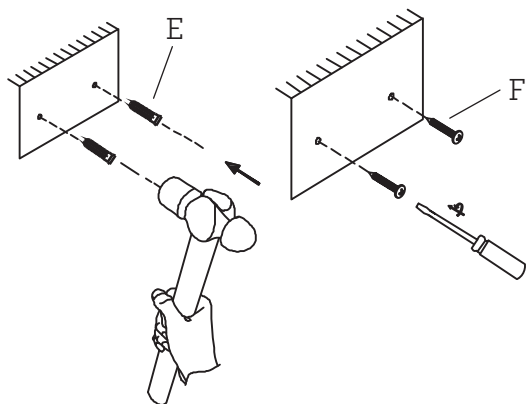
Model # 3057-22

## Step 1.



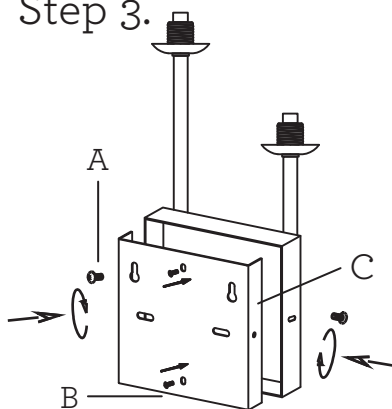
1. Remove pre-assembled screws (A) and (B) in order to take off the backplate (C) from the lamp assembly. Use this backplate (C) as a template to mark your drill holes with a pencil and then take the backplate off and drill your holes into the wall. then nail plastic wall anchors (E) into the holes.

## Step 2.



2. Align holes in mounting plate (C) with holes in plastic (E) and attach with 2 screws (F). Secure screws (F) with screwdriver.

## Step 3.

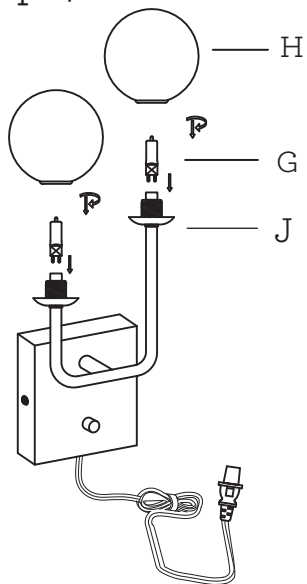


3. Place lamp assembly (I) over the backplate (C). Use 2 screws (A) to secure the lamp assembly to the backplate on each side. Please discard screws (B).

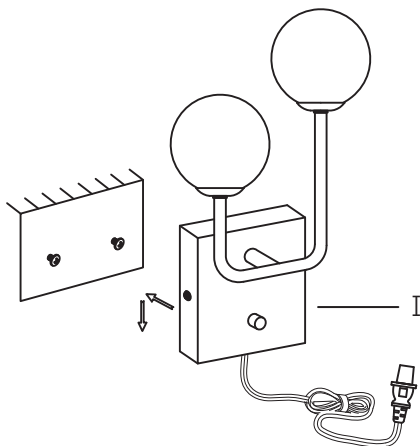
4. Plug 2 G9 LED bulbs (G) into socket (J) and screw on each shade (H) to each socket carefully.

5. This portable wall lamp is also hardwire compatible. Should you choose to hardwire this lamp to your wall, we recommend referring to an electrician for help and directions as shown in page 2.

## Step 4.



## Step 5.



### GENERAL PRODUCT INFORMATION:

This product is suitable for dry locations only.



### IMPORTANT SAFETY INSTRUCTIONS:

This portable lamp has a polarized plug (one blade is wider than the other) as a feature to reduce the risk of electric shock. This plug will fit in a polarized outlet only one way. If the plug does not fit fully in the outlet, reverse the plug. If it still does not fit, contact a qualified electrician. Never use with an extension cord unless plug can be fully inserted. **DO NOT ALTER THE PLUG.**

BULB TYPE:(2) 4.5 watt G9 LED bulb included.

### PARTS DIAGRAM:

- (2) plastic wall anchors (E)
- (2) screws (F)

GET INSPIRED. SHARE YOUR STYLE.

#myadesso

Visit [www.adessohome.com](http://www.adessohome.com) for details.