

QUARTER ROUND SHUTTER ARCH TOPS

The Quarter Round Shutter Arch Tops are a decorative exterior accent for windows and are used in conjunction with shutters. The Open Louver and Solid Arch Tops can be used with 14 1/2" Louver and Panel Shutters. The Raised Panel and Fanfold Panel Arch Tops can be used with Raised Panel Shutters.



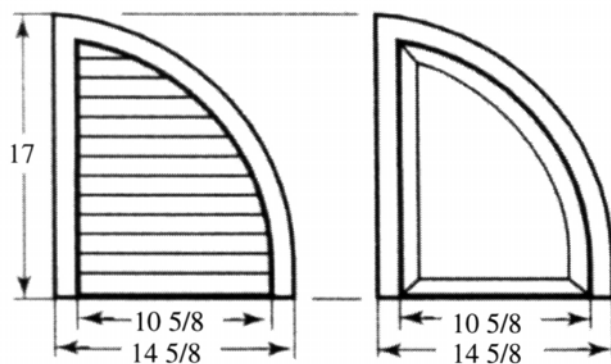
FEATURES:

- Single unit body construction.
- Maintenance Free.
- Easy to install for New Construction or Remodeling.
- Becomes an integral part of your window trim.
- Available in popular colors
- Paintable/Stainable versions available

SPECIFICATIONS:

Material:	UV stabilized copolymer Color molded in Paintable/Stainable HIPS available
Fabrication:	Single piece molded unit
Attachment:	Attaches to shutter with clips and fastens to wall with Shutter Loks
Packaging:	1 pair per box (right and left sides) 4 clips and 2 Shutter Loks per box
Dimensions:	See drawing below

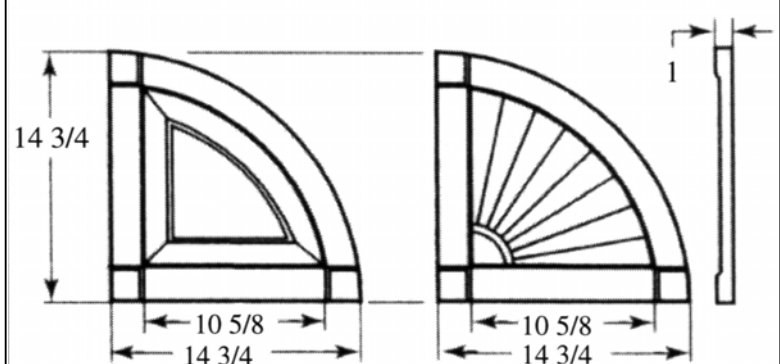
Fits 14 1/2" Open Louver Shutters



Open Louver

Solid

Fits Raised Panel Shutters



Raised Panel

Fanfold Panel